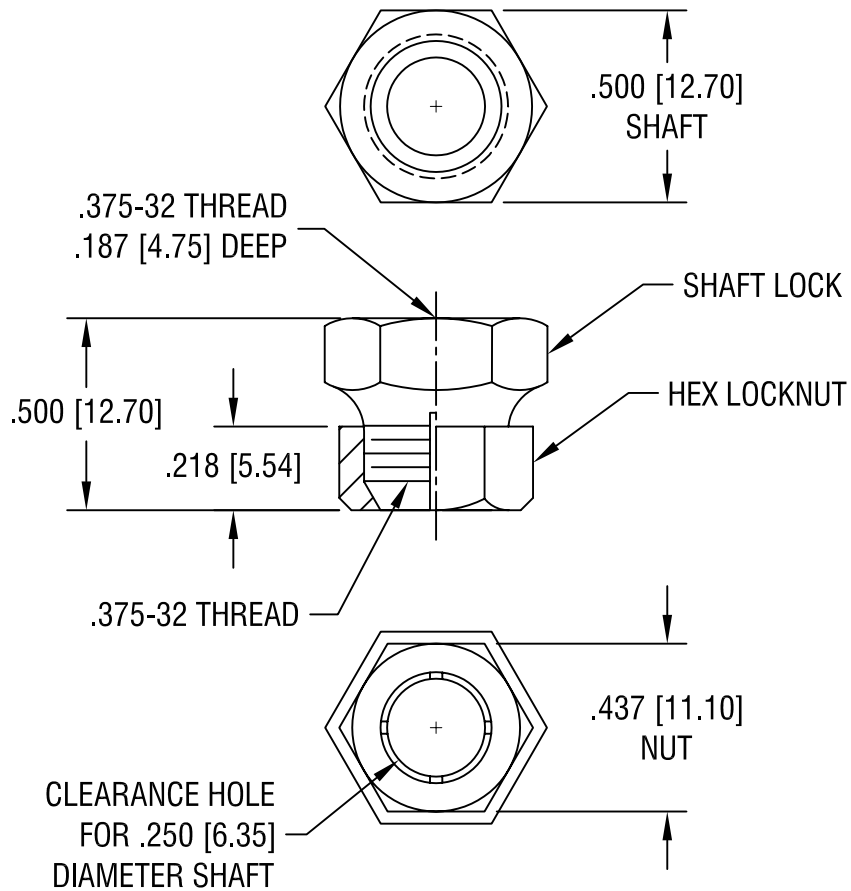


THIS DOCUMENT IS THE PROPERTY OF
KEYSTONE ELECTRONICS CORP. AND
SHALL NOT BE REPRODUCED, DISTRIBUTED
OR USED AS A BASIS FOR MANUFACTURE
WITHOUT PRIOR WRITTEN PERMISSION
FROM KEYSTONE ELECTRONICS CORP.



KEYSTONE ELECTRONICS CORP.

ASTORIA, N.Y. 11105-2017

PART NAME		SHAFT LOCK	
MATERIAL		BRASS	
FINISH		DRN BY	DATE
NICKEL PLATE		BOONE	12.11.84
TOLERANCES		APP'D	SCALE
INCH	[MM]	LN	2X
DECIMAL	$\pm .005$ [± 0.15]	DWG NO.	
ANGULAR	$\pm 1^\circ$	1701	
UNLESS OTHERWISE SPECIFIED		C	

11.14.02	CHANGE AS PER ECN 02-076	C
5.19.97	CHANGE AS PER ECR 97-025	B
7.14.89	REVISED	A
DATE	DESCRIPTION	REV.