

RIB TO IDENTIFY CKT. NO. 1

RECEPTACLE

3	1
2	1
1	1
SHT.	REV.

REV	DESCRIPTION
1	UPDATE REVISIONS
2	EC NO: UCP2007-2085
3	DRWN:PRIDDER 2007/04/13
4	CHKD:AEIHAG 2007/04/16
5	APPR:FSMLTH 2007/04/19

QUALITY SYMBOLS		
▽=0		
▽=0		
GENERAL TOLERANCES (UNLESS SPECIFIED)		
	mm	INCH
4 PLACES ±	---	± ---
3 PLACES ±	---	± .007
2 PLACES ±	0.18	± .010
1 PLACE ±	0.25	± ---
ANGULAR ± 1 °		
DRAFT WHERE APPLICABLE MUST REMAIN WITHIN DIMENSIONS		

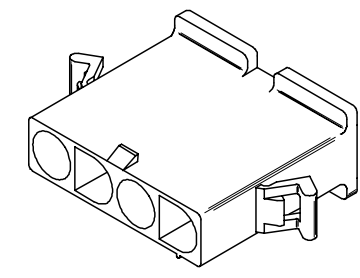
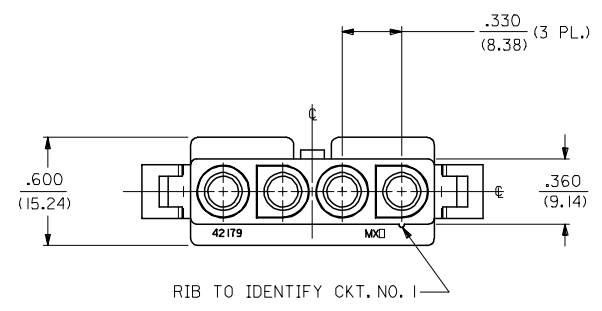
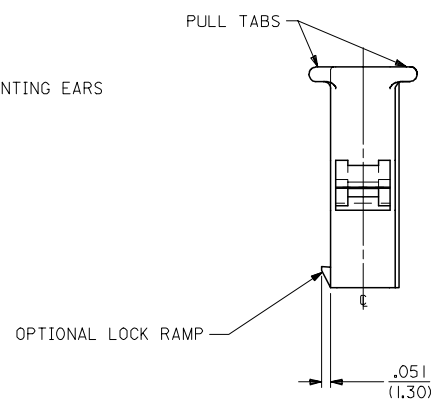
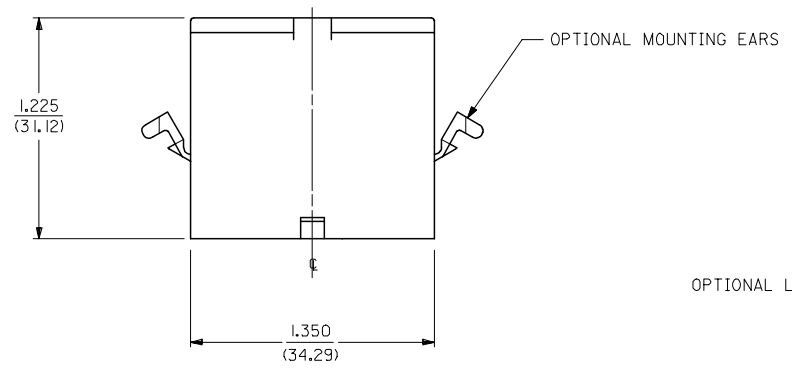
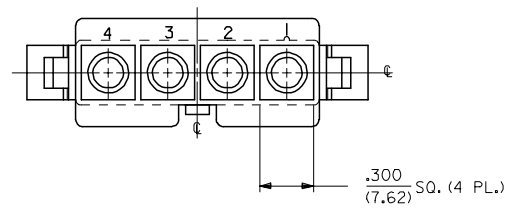
DIMENSION STYLE	
IN/MM	
DRAWN BY	DATE
GEP	1988/09/21
CHECKED BY	DATE
RW	1988/09/21
APPROVED BY	DATE
RAS	1988/09/21
MATERIAL NO.	
SEE CHART	
SIZE	
THIS DRAWING CONTAINS INFORMATION THAT IS PROPRIETARY TO MOLEX INCORPORATED AND SHOULD NOT BE USED WITHOUT WRITTEN PERMISSION	

SCALE	2:1
DESIGN UNITS	INCH
THIRD ANGLE PROJECTION	
TITLE	
.125/(3.17) HOUSING, PLUG AND RECEPTACLE 4 CKT .330/(8.38) CTRS.	
MOLEX MOLEX INCORPORATED	
MATERIAL NO.	DOCUMENT NO.
SD-42179-4*	
SHEET NO.	1 OF 3

13 12 11 10 9 8 7 6 5 4 3 2 1

J  
I  
H  
G  
F  
E  
D  
C  
B  
A

J  
I  
H  
G  
F  
E  
D  
C  
B  
A



PLUG

UPDATE TITLE BLOCK EC NO: UCP2007-2085 DRAWN/PRD/DER 2007/04/13 CHKD: AEL/HAG 2007/04/16 APPR: FSM/TH 2007/04/19	DESCRIPTION QUALITY SYMBOLS ▽=0 ▽=0	GENERAL TOLERANCES (UNLESS SPECIFIED)		DIMENSION STYLE IN/MM		SCALE 2:1	DESIGN UNITS INCH	THIRD ANGLE PROJECTION		
		4 PLACES ± .007 ± .007	3 PLACES ± .007 ± .007	DRAWN BY GEP	DATE 1988/09/21	TITLE		.125/(3.17) HOUSINGS, PLUG AND RECEPTACLE, 4 CKT .330/(8.38) CTRS.		
		2 PLACES ± 0.18 ± .010	1 PLACE ± 0.25 ± .010	CHECKED BY RW	DATE 1988/09/21	APPROVED BY				
		ANGULAR ±1/2°		RAS	DATE 1988/09/21	MATERIAL NO.		DOCUMENT NO.		SHEET NO.
DRAFT WHERE APPLICABLE MUST REMAIN WITHIN DIMENSIONS		SEE CHART		SD-42179-4*		2 OF 3				

12 11 10 9 8 7 6 5 4 3 2 1

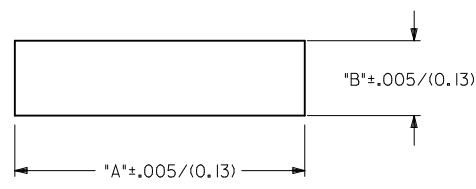
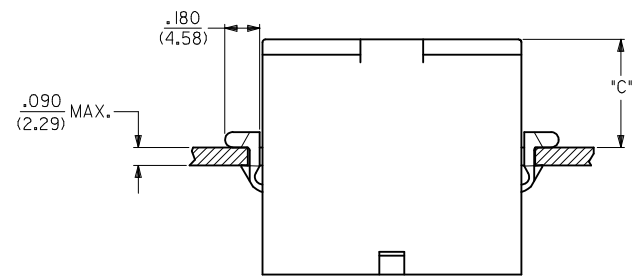
PLUG		RECEPTACLE	
PART NO.	ENG. NO.	PART NO.	ENG. NO.
03-12-2046	42179-4PI	03-12-1046	42179-4RI
03-12-2045	42179-4P	03-12-6040	42179-4RIBK
03-12-7042	42179-4PYW	03-12-6041	42179-4RIYW
03-12-7043	42179-4PIYW		
03-12-7040	42179-4PBK		
03-12-7041	42179-4PIBK		
03-12-7044	42179-4PIRD		
03-12-7045	42179-4P2		

OBSOLETE

LEGEND:  
42179-4\*\*\*

CIRCUIT SIZE: \_\_\_\_\_  
HOUSING TYPE: \_\_\_\_\_  
P = PLUG  
R = RECEPTACLE  
FEATURE OPTIONS: \_\_\_\_\_  
BLANK = WITH MOUNTING EARS (PLUG ONLY)  
1 = WITHOUT MOUNTING EARS  
2 = WITH MOUNTING EARS (PLUG ONLY);  
WITHOUT LOCKING RAMP

COLOR: \_\_\_\_\_  
BLANK = 94V-2; TRANSLUCENT NATURAL COLOR  
AM=AMBER BK=BLACK BU=BLUE  
BN=BROWN GY=GRAY GN=GREEN  
OR=ORANGE RD=RED YW=YELLOW



RECOMMENDED PANEL OPENING

HOUSING	DIM. "A"	DIM. "B"	DIM. "C"
PLUG	1.511/(38.38)	.440/(11.18)	.57/(14.5)

- NOTES:
1. MATERIAL: NYLON (PA), UL94V-2, COLOR-NATURAL (TRANSLUCENT)
  2. FINISH: NONE
  3. PRODUCT SPECIFICATION: NONE
  4. PACKAGING SPECIFICATION: PK-42179-001
  5. PART ACCEPTS A MAXIMUM .250/(6.35) INSULATION DIAMETER WIRE.
  6. FOR USE WITH ALL MOLEX .125/(3.17) DIAMETER SERIES TERMINALS EXCEPT THE 1219/1220 SERIES.
  7. PARTS CONFORM TO CLASS B REQUIREMENT OF COSMETIC SPECIFICATION PS-45499-002

OBS. P/N 03-12-7044 EC NO: UCP2007-2085 DRAWN: PRIDDER 2007/04/13 CHKD: AELHAG 2007/04/16 APPR: FSMITH 2007/04/19	QUALITY SYMBOLS	GENERAL TOLERANCES (UNLESS SPECIFIED)	DIMENSION STYLE	SCALE	DESIGN UNITS	THIRD ANGLE PROJECTION	
	▽=0	mm INCH	IN/MM	2:1	INCH		
	▽=0	4 PLACES ± --- ± --- 3 PLACES ± --- ± .007 2 PLACES ± 0.18 ± .010 1 PLACE ± 0.25 ± ---	DRAWN BY DATE GEP 1988/09/21	TITLE .125/(3.17) HOUSING, PLUG AND RECEPTACLE, 4 CKT .330/(8.38) CTRS.			
		ANGULAR ± 1 °	CHECKED BY DATE RW 1988/09/21	MOLEX MOLEX INCORPORATED			
		DRAFT WHERE APPLICABLE MUST REMAIN WITHIN DIMENSIONS	APPROVED BY DATE RAS 1988/09/21	MATERIAL NO. SEE CHART		DOCUMENT NO. SD-42179-4*	
			SIZE C	THIS DRAWING CONTAINS INFORMATION THAT IS PROPRIETARY TO MOLEX INCORPORATED AND SHOULD NOT BE USED WITHOUT WRITTEN PERMISSION			