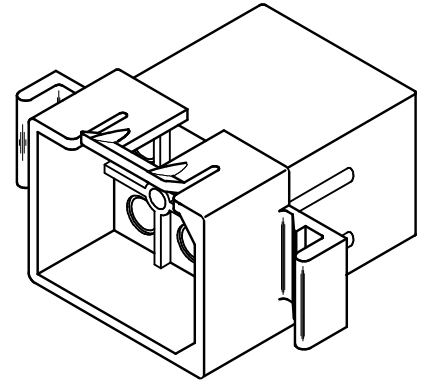
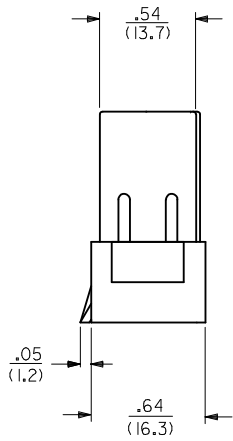
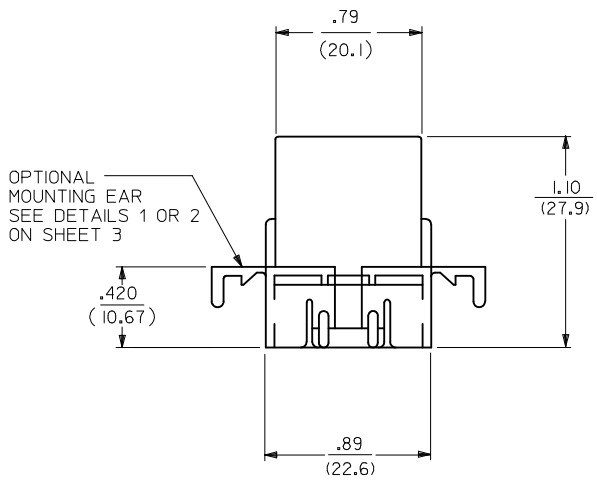
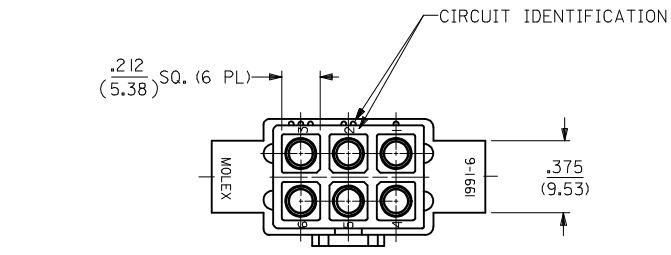
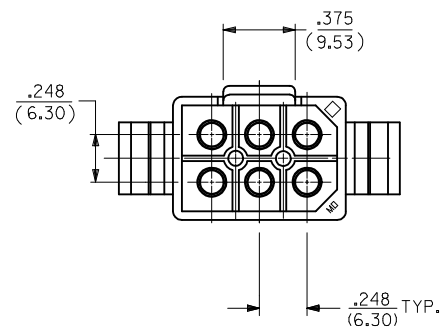


**PLUG**

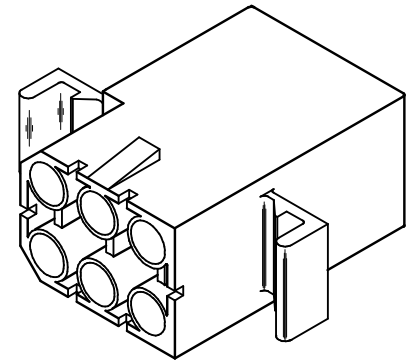
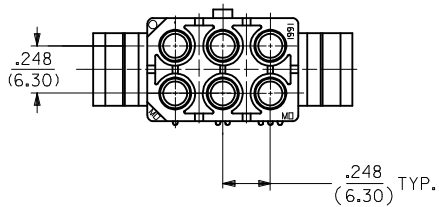
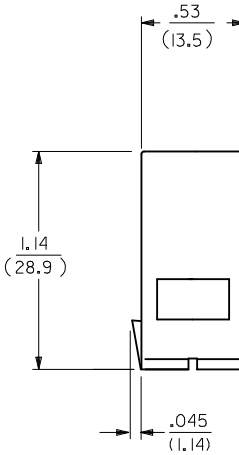
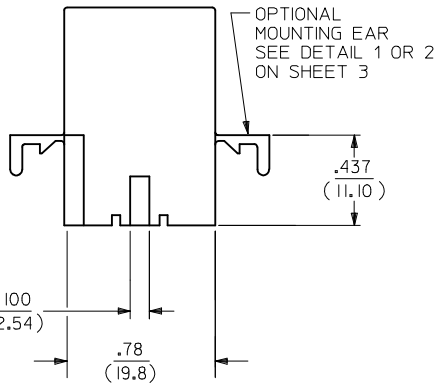
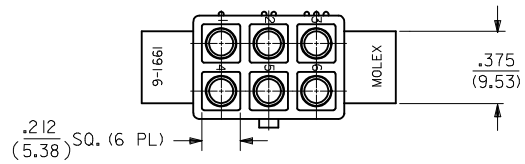


**PLUG HOUSING**



REMOVE 1991-6R1-B IEC NO: UCP2014-3949 DRWN:KIPPER 2014/05/19 CHKD:ANDERSON 2014/05/19 APPR:FSMITH 2014/06/10	QUALITY SYMBOLS ▽=0 ▽=0 ▽=0	GENERAL TOLERANCES (UNLESS SPECIFIED)		DIMENSION STYLE IN/MM	SCALE 2:1	DESIGN UNITS INCH	THIRD ANGLE PROJECTION
		4 PLACES ± --- ± --- 3 PLACES ± --- ± .010 2 PLACES ± 0.25 ± .014 1 PLACE ± 0.36 ± --- 0 PLACE ± --- ± ---	mm INCH	DRAWN BY DATE JJS 1988/02/25	TITLE .093/(2.36) HOUSINGS PLUG AND RECEPTACLE 6 CKT, .248/(6.30) CTRS.		
		ANGULAR ± 1 °	DRAFT WHERE APPLICABLE MUST REMAIN WITHIN DIMENSIONS	CHECKED BY DATE RW 1988/02/25	DOCUMENT NO. SD-1991-6*		
	S1	REV	MATERIAL NO. SEE CHART	APPROVED BY DATE FSMITH 2014/06/10	SHEET NO. 1 OF 3		

RECEPTACLE



RECEPTACLE HOUSING

SEE SHEET 1 EC NO: UCP2014-3949 DRWN:KIPPER 2014/05/19 CHKD:ANDERSON 2014/05/19 APPR:FSMITH 2014/06/10	QUALITY SYMBOLS ∇=0 ∇=0 ∇=0	GENERAL TOLERANCES (UNLESS SPECIFIED)		DIMENSION STYLE IN/MM	SCALE 2:1	DESIGN UNITS INCH	THIRD ANGLE PROJECTION	
		4 PLACES ± --- ± ---	3 PLACES ± --- ± .010	DRAWN BY JJS	DATE 1988/02/25	TITLE .093/(2.36) HOUSINGS PLUG AND RECEPTACLE 6 CKT, .248/(6.30) CTRS.		
		2 PLACES ± 0.25 ± .014	1 PLACE ± 0.36 ± ---	CHECKED BY RW	DATE 1988/02/25	APPROVED BY FSMITH		
		0 PLACE ± --- ± ---	ANGULAR ± 1 °	MATERIAL NO. SEE CHART	DATE 2014/06/10	DOCUMENT NO. SD-1991-6*	SHEET NO. 2 OF 3	
S1	DRAFT WHERE APPLICABLE MUST REMAIN WITHIN DIMENSIONS	THIS DRAWING CONTAINS INFORMATION THAT IS PROPRIETARY TO MOLEX INCORPORATED AND SHOULD NOT BE USED WITHOUT WRITTEN PERMISSION						

PLUG			RECEPTACLE		
PART NO.	ENG. NO.	PKG. INFORMATION	PART NO.	ENG. NO.	PKG. INFORMATION
I9-09-2061	I991-6P	PK-1991-001	I9-09-1061	I991-6R	PK-1991-001
I9-09-2062	I991-6P1	PK-1991-001	I9-09-1062	I991-6R1	PK-1991-002
I9-09-7061	I991-6PBK	PK-1991-001	I9-09-6061	I991-6RBK	PK-1991-001
I9-09-7062	I991-6P1BK	PK-1991-001			

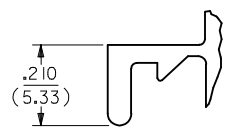
**LEGEND:**

1991-6\*\*\*\*-\*

CIRCUIT SIZE

P = PLUG

R = RECEPTACLE



BLANK = WITH STANDARD EARS

1 = WITHOUT EARS

2 = WITH PREBENT EARS, PER DETAIL 2

COLOR: BLANK=NATURAL COLOR

AM=AMBER BK=BLACK BU=BLUE

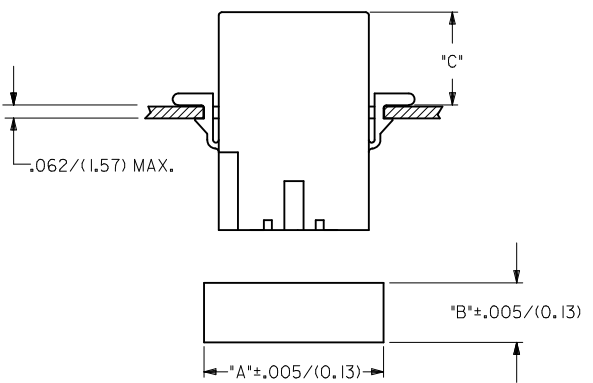
BN=BROWN GY=GRAY GN=GREEN

OR=ORANGE RD=RED YW=YELLOW

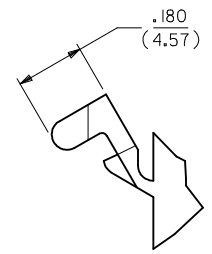
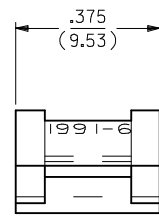
BLANK = MATERIAL CODE A

B = MATERIAL CODE B

**DETAIL 1**  
STANDARD MOUNTING EARS  
(SCALE 4:1)



HOUSING	DIM. "A"	DIM. "B"	DIM."C" STD.EAR	DIM."C" PREBENT
PLUG	1.048/(26.62)	.658/(16.71)	.51/(12.9)	.52/(13.2)
RECEPTACLE	.946/(24.03)	.608/(15.44)	.53/(13.5)	.54/(13.7)



**DETAIL 2**  
PREBENT MOUNTING EAR  
(SCALE 4:1)

- NOTES:
- MATERIAL CODES:  
A - NYLON TYPE 6/6, UL 94V-2  
B - NYLON TYPE 6/6, UL 94V-0
  - FINISH: N/A
  - PRODUCT SPECIFICATION: PS-02-09
  - PACKAGING SPECIFICATION: SEE CHART
  - HOUSINGS FOR USE WITH MOLEX STD. .093/(2.36) TYPE TERMINALS.
  - PARTS CONFORM TO CLASS B REQUIREMENTS OF COSMETIC SPECIFICATION PS-45499-002.

SEE SHEET 1 EC NO: UCP2014-3949 DRAWN: KIPPER 2014/05/19 CHKD: BANDERSON 2014/05/19 APPR: FSMITH 2014/06/10	QUALITY SYMBOLS 	GENERAL TOLERANCES (UNLESS SPECIFIED)		DIMENSION STYLE <b>IN/MM</b>	SCALE <b>2:1</b>	DESIGN UNITS <b>INCH</b>	THIRD ANGLE PROJECTION
		4 PLACES ± --- ± --- 3 PLACES ± --- ± .010 2 PLACES ± 0.25 ± .014 1 PLACE ± 0.36 ± --- 0 PLACE ± --- ± ---	mm INCH DRAWN BY DATE JJS 1988/02/25 CHECKED BY DATE RW 1988/02/25 APPROVED BY DATE FSMITH 2014/06/10	TITLE <b>.093/(2.36) HOUSINGS          PLUG AND RECEPTACLE          6 CKT, .248/(6.30) CTRS.</b>			
		ANGULAR ± 1°		MATERIAL NO. <b>SEE CHART</b>	DOCUMENT NO. <b>SD-1991-6*</b>	SHEET NO. <b>3 OF 3</b>	
		DRAFT WHERE APPLICABLE MUST REMAIN WITHIN DIMENSIONS					THIS DRAWING CONTAINS INFORMATION THAT IS PROPRIETARY TO MOLEX INCORPORATED AND SHOULD NOT BE USED WITHOUT WRITTEN PERMISSION