

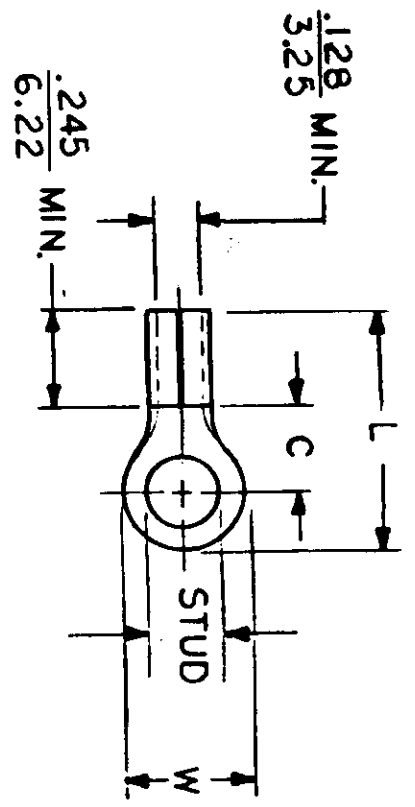
NOTES:

① MAT'L: PURE NICKEL
PLATING: NONE

STUD SIZES: (+.005)

- 02 = .094 209 = .209
- 04 = .119 413 = .413
- 06 = .146
- 08 = .173
- 10 = .198
- 14 = .265
- 56 = .328
- 38 = .390

ALL DIMENSIONS = INCHES
M M

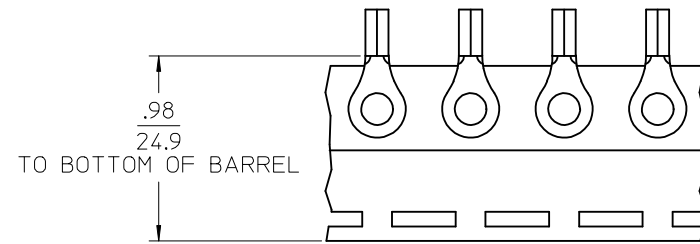
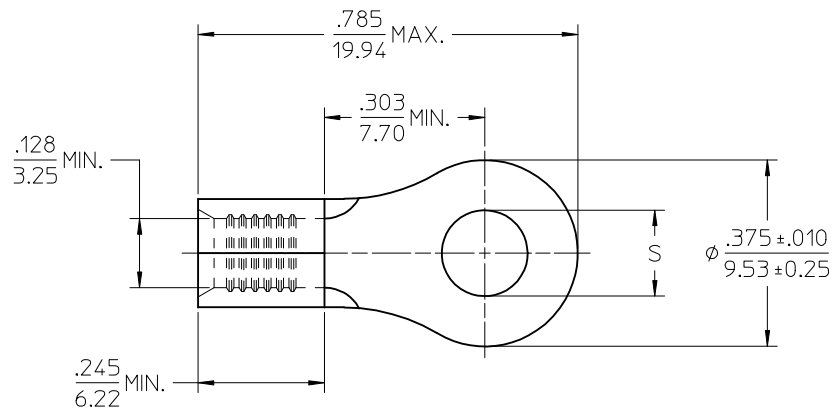


FILE NO. C-CD-101-04

WIRE SIZE: 12-10 AWG
40-6.0 MM²

PART NUMBER	"W"	"C" MIN.	"L" MAX.	SCALE:	NTS	DATE	TITLE: TEMP-TERM (1200°)	AVAILABLE STUD SIZES	DWG. NO.						
									FRAC.	DEC.	ANG.	A	CUSTOMER DWG.		
135	750 19.05	611 15.52	1280 32.51					14, 56, 38, 76, 12							
C-U-128-	375 9.53	303 7.70	785 19.94					04, 06, 08, 10, 209							
C-U-130-	530 13.46	393 9.98	952 24.18					10, 14, 56, 38							
136	282 7.16	306 7.77	741 18.82					04, 06, 08							
C-U-140-	592 15.04	468 11.89	1056 26.82					10, 14, 56, 38, 209, 413							
DIMENSIONAL TOLERANCES UNLESS OTHERWISE SPECIFIED									REFERENCE	SCALE:	NTS	DATE	TITLE: TEMP-TERM (1200°)	EJC INCORPORATED molex	
FRAC.									DEC.	ANG.					
±									±	±					
DRAWN. BY: ELLIF									CHKD. BY:	APPRD. BY:					
2-3-87															
TERMINAL RING TONGUE									KrimpTite 100-SERIES						

10	9	8	7	6	5	4	3	2	1						
MATERIAL NO. LOOSE PIECE	ENG. NO.	MATERIAL NO. TAPE MOUNTED	ENG. NO.	STUD SIZE	"S" ±.005/0.13	STOCK THICKNESS	FINISH								
190690200	C-128-04	190690147	C-128-04T	4	.119/(3.02)	.040/(1.02)	SEE NOTE 2								
190690202	C-128-06	190690148	C-128-06T	6	.146/(3.71)										
190690205	C-128-08	190690208	C-128-08T	8	.173/(4.39)										
190690209	C-128-10	190690212	C-128-10T	10	.198/(5.03)										
190690215	C-128-209	---	---	209	.209/(5.18)										
192030159	C-U-128-06	192030111	C-U-128-06T	6	.146/(3.71)	.038/(0.97)				SEE NOTE 3					
192030160	C-U-128-08	192030112	C-U-128-08T	8	.173/(4.39)										
192030113	C-U-128-10	192030114	C-U-128-10T	10	.198/(5.03)										
190690682	C-128-10-AU	---	---	10	.198/(5.03)	.040/(1.02)									



SALES DRAWING

- NOTES:
 1. MATERIAL: COPPER.
 2. FINISH: TIN PLATING, 100(2.5)µin(µm) MIN
 3. FINISH: GOLD, 50(1.25)µin(µm) MIN. OVER NICKEL, 50(1.25)µin(µm) MIN. PLATING.
 4. WIRE SIZE: 12-10 AWG, 4.0-6.0 MM²
 5. PARTS ARE ROHS COMPLIANT.

RELEASED EC NO: IFC2015-0823 DRAWING: JAS01 2014/10/30 CHKD: JMACNEIL 2014/10/30 APPR: JMACNEIL 2014/11/19	QUALITY SYMBOLS ▽=0 ▽=0	GENERAL TOLERANCES (UNLESS SPECIFIED)		DIMENSION STYLE IN/MM		SCALE ---	DESIGN UNITS INCH	THIRD ANGLE PROJECTION		
		mm	INCH	DRAWN BY BDEROSS	DATE 2000/6/13	TITLE RING TONGUE TERMINAL KRIMPTITE, 128 SERIES 12-10 AWG				
		4 PLACES ± ---	± ---	CHECKED BY JMACNEIL	DATE 2014/10/30					
		3 PLACES ± ---	± ---	APPROVED BY JMACNEIL		DATE 2014/11/19	MATERIAL NO. SD-19069-020			
2 PLACES ± ---	± ---	ANGULAR ± ---°		DATE 2014/11/19						
DRAFT WHERE APPLICABLE MUST REMAIN WITHIN DIMENSIONS		SEE CHART		DOCUMENT NO. SD-19069-020		SHEET NO. 1 OF 1				
THIS DRAWING CONTAINS INFORMATION THAT IS PROPRIETARY TO MOLEX INCORPORATED AND SHOULD NOT BE USED WITHOUT WRITTEN PERMISSION										