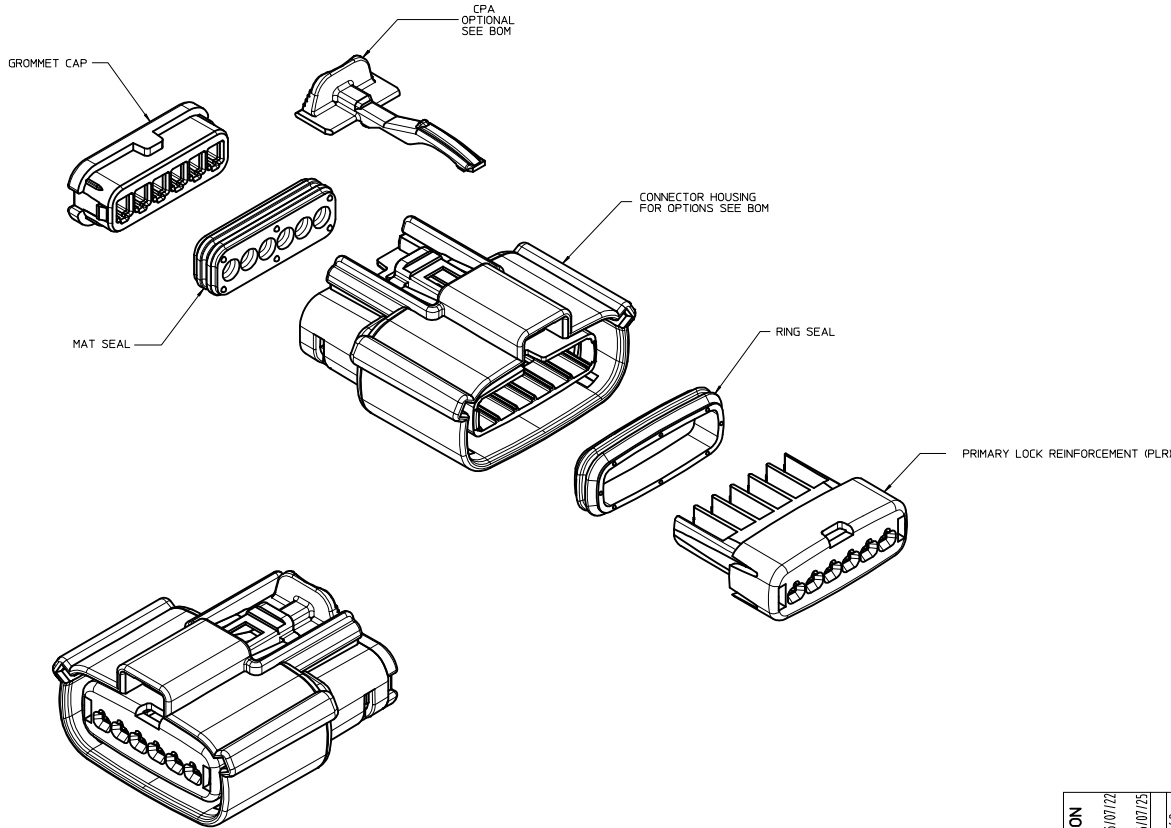


TABLE OF CONTENTS	
SHEET NO.	SHEET DESCRIPTION
1	NOTES
2	KEY CONFIGURATIONS
3	RECEPTACLE SEALED ASSEMBLY
4	BOM



NOTES: VALID UNLESS OTHERWISE SPECIFIED

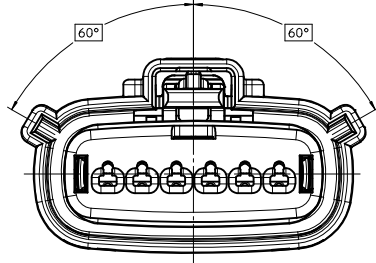
1. GENERAL:
  - a. APPLICATION SPECIFICATION SEE: AS-33472-100  
 -CONTAINS: PRODUCT INTRODUCTION, PRODUCT SUMMARY, CONNECTOR ASSEMBLY, PACKAGING INFORMATION, CONNECTOR MATING, SERVICE INSTRUCTIONS, ELECTRICAL CONTINUITY CHECKING, CRIMPING, AND TROUBLESHOOTING.  
 -DESIGNED TO MATE WITH DEVICE CONNECTION AS SPECIFIED IN DRAWING EWCAP 150-S-006-1-Z03, AVAILABLE AT <http://ewcap.uscorteams.org/>  
 -DESIGNED TO MATE WITH BLADE SEALED ASSEMBLY AS SPECIFIED IN DRAWING SD-33481-061  
 -FOR 15mm RECEPTACLE TERMINALS TO BE USED WITH THIS ASSEMBLY. SEE MOLEX DRAWINGS SD-33012-002.  
 -SYSTEM TO BE USED WITH WIRE WITH DIAMETER RANGE OF 1.2 mm TO 2.69 mm.  
 -ASSEMBLY SHIPPED WITH PLR AND CPA IN PRE-LOCK POSITION (SEE SECTION 2-2 PRE-LOCK).  
 -IN THE EVENT THAT THE PLR IS FOUND IN THE SEATED (FINAL LOCK) POSITION, REFER TO MOLEX SPECIFICATION PS-34646-001, AVAILABLE AT www.molex.com <http://www.molex.com>.  
 -ASSEMBLY CONFORMS TO SAE/J59CAR-2 REV.4 WITH THE FOLLOWING EXCEPTIONS: ENGAGEMENT FORCE TO MOVE CPA FROM PRE-LOCK TO FINAL LOCK POSITION WHEN UNMATED: 40N MIN.  
 DISENGAGEMENT FORCE TO MOVE CPA FROM FINAL LOCK TO PRE-LOCK POSITION: 3N MIN. 40N MAX  
 TERMINAL INSERTION FORCE FOR WIRE DIAMETER ABOVE 2.5mm NOT EXCEEDING 2.69mm SHALL NOT EXCEED 40 NEWTONS.
  - b. PRODUCT SPECIFICATION SEE: PS-33471-000  
 CONTAINS: PRODUCT INTRODUCTION, PRODUCT SUMMARY, AND PRODUCT VALIDATION.
  - c. PACKAGING SPECIFICATION PER MOLEX DRAWING: PK-31300-903
  - d. PARTS MUST BE IN COMPLIANCE TO MOLEX CHEMICAL SUBSTANCES FOR PRODUCTS AND PACKAGING SPECIFICATION: ES-40000-5016
  - e. DATA MUST BE SUBMITTED UNDER THE MOLEX PART NUMBER TO IMDS (COMPANY ID=19255)
2. DESIGN - MATERIALS:
  - a. CONNECTOR HOUSING, GROMMET CAP, PLR: SPS/NYLON BLEND 20% GLASS FILLED
  - b. CPA: PBT 20% GLASS FILLED
  - c. MAT SEAL AND RING SEAL: INHERENTLY LUBRICATED SILICONE
3. DESIGN - GEOMETRY:
  - a. THIS IS A 100% CAD GENERATED PART. THE CAD MATHEMATICAL DATA IS THE MASTER FOR THIS PART. FOR DIMENSIONAL OR ANY INFORMATION NOT SHOWN ON THIS DRAWING, ANALYZE THE CAD MODEL.
  - b. GEOMETRIC DIMENSIONS AND TOLERANCES PER ASME Y14.5M - 1994.
  - c. EDGES AND UNDIMENSIONED DETAILS PER ISO13715
  - d. CORNERS SHOWN AS SHARP TO BE R 0.2 MAX.
  - e. LETTERING SHALL BE 0.15 MAX RAISED IN 0.25 MAX RECESS PAD. THIS INCLUDES RECYCLING CODE, CAVITY ID, VENDOR IDENTIFICATION, AND CUSTOMER MATERIAL NUMBER.
  - f. VISUAL DEFECTS SHALL MEET COSMETIC STANDARD PS-45499-002 (Class B)
  - g. LASER MARKING: TBD

INSPECTION NUMBER LOG  
 LAST NUMBER USED: 5  
 ADDED:  
 REMOVED:

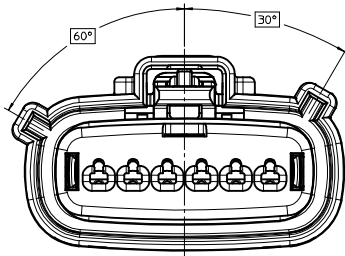
S9	ADDED NEW P/N 33471-0676
S8	ADDED NEW P/N 33471-0675
S7	ADDED NEW P/N 33471-0674
S6	UPDATED VIEWS
S5	UPDATED VIEWS
S4	ADDED NEW P/N 33471-0673
S3	CHANGE PART NUMBER STATUS ADDED NEW P/N 33471-0659 33471-0660 33471-0661 33471-0662 33471-0663 33471-0664 33471-0665 33471-0666 33471-0667 33471-0668 33471-0669 33471-0670 33471-0671 33471-0672
S2	ADDED NEW P/N 33471-0658
S1	UPDATED CONFIGURATIONS SHEET 3
S	REDRAWN
REV	DESCRIPTION

ENTER DESCRIPTION DEC NO: UAU2017-0053 DRAWN BY: S9 CHKD: S9 APPR: JEN602 DATE: 2016/07/25	QUALITY SYMBOLS	GENERAL TOLERANCES (UNLESS SPECIFIED)	DIMENSION STYLE	SCALE	DESIGN UNITS	THIRD ANGLE PROJECTION	
	$\nabla=0$ $\nabla=0$ $\nabla=0$	± mm ± INCH	DRAWN BY DATE DGR1FF1THS 06-03-03 CHECKED BY DATE DGR1FF1THS 06-03-03 APPROVED BY DATE DGR1FF1THS 06-03-03	MM ONLY	3:1	METRIC	
	ANGULAR ± 3 ° DRAFT WHERE APPLICABLE MUST REMAIN WITHIN DIMENSIONS	MATERIAL NO. SEE BOM	DOCUMENT NO. SD-33471-061	TITLE MX150 1X6 RECEPTACLE SEALED ASSEMBLY MAT SEAL 			
	SIZE D THIS DRAWING CONTAINS INFORMATION THAT IS PROPRIETARY TO MOLEX INCORPORATED AND SHOULD NOT BE USED WITHOUT WRITTEN PERMISSION	SHEET NO. 1 OF 4					

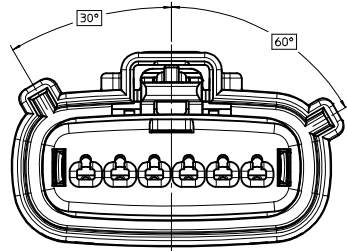
KEY CONFIGURATIONS



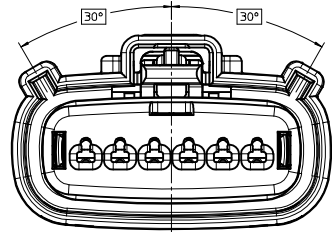
KEY A



KEY B



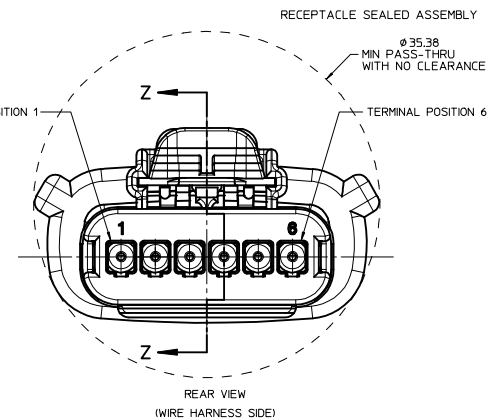
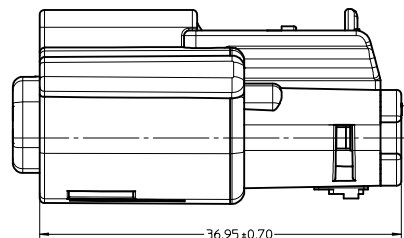
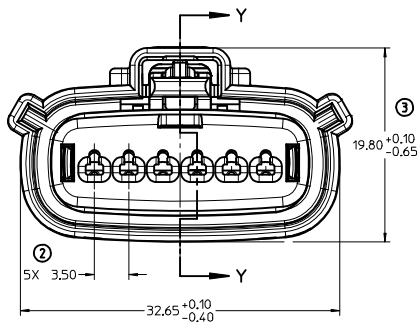
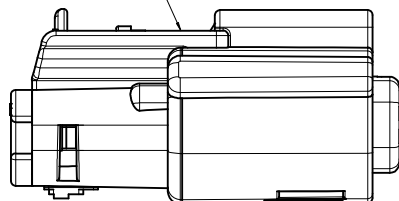
KEY C



KEY D

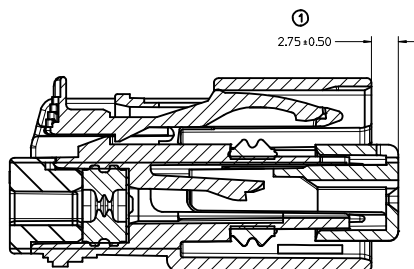
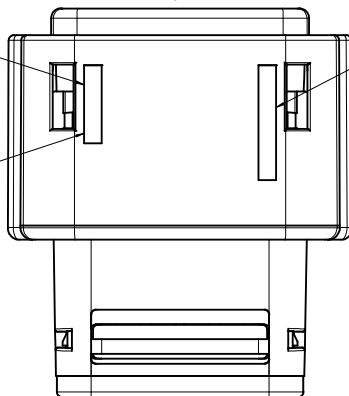
ENTER DESCRIPTION DEC NO: UAU2017-0053 DRAWN BY: [Signature] CHKD: [Signature] APPR: JDENGOZ 2016/07/25 REVISIONS:	QUALITY SYMBOLS	GENERAL TOLERANCES (UNLESS SPECIFIED)	DIMENSION STYLE	SCALE	DESIGN UNITS	THIRD ANGLE PROJECTION
	▽=0	mm INCH	MM ONLY	4:1	METRIC	☉
	▽=0	4 PLACES ± --- ± ---	DRAWN BY: DGRIFITHS	DATE: 06-03-03	TITLE: MX150 1X6 RECEPTACLE SEALED ASSEMBLY MAT SEAL	
	▽=0	3 PLACES ± --- ± ---	CHECKED BY: DGRIFITHS	DATE: 06-03-03	DOCUMENT NO. SD-33471-061	
	ANGULAR ± 3 °	DRAFT WHERE APPLICABLE MUST REMAIN WITHIN DIMENSIONS	MATERIAL NO. SEE BOM	SHEET NO. 2 OF 4		
			THIS DRAWING CONTAINS INFORMATION THAT IS PROPRIETARY TO MOLEX INCORPORATED AND SHOULD NOT BE USED WITHOUT WRITTEN PERMISSION			

LASER MARKING THIS SURFACE  
SEE NOTE 3g.



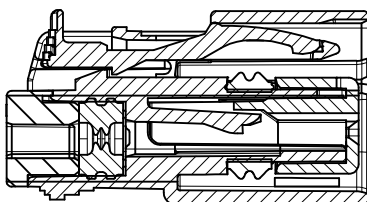
MOLD CAVITY CODE RECYCLE CODE

LOCATION CODE



PRIMARY LOCK REINFORCEMENT (PLR) SHOWN  
IN PRE-STAGED POSITION

SECTION Z-Z



PRIMARY LOCK REINFORCEMENT (PLR) SHOWN  
IN FINAL-LOCK POSITION

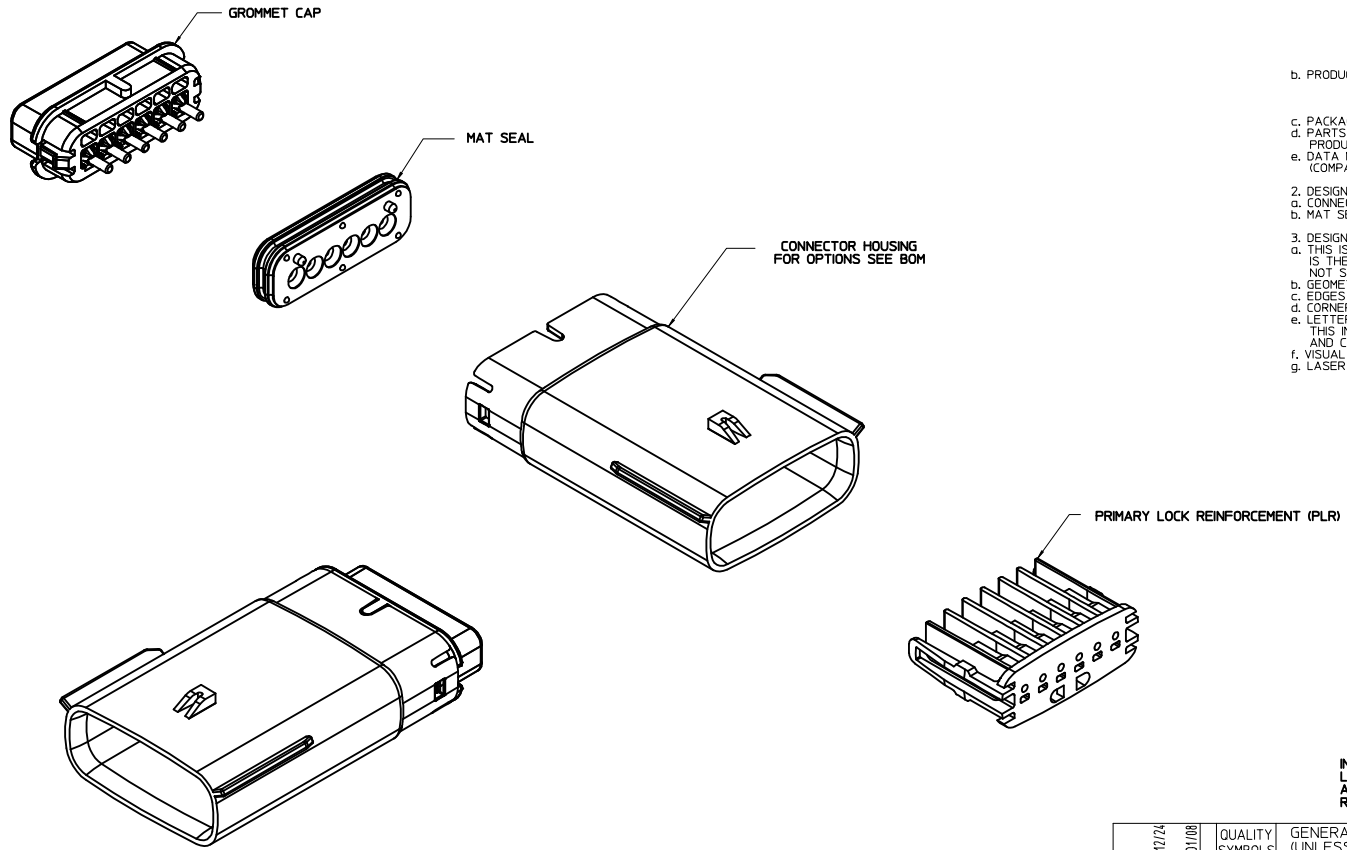
SECTION Y-Y

<b>ENTER DESCRIPTION</b> IEC NO: UAU2017-0053 DRAWN BY: SD CHKD: SD APPR: JDENGOZ DATE: 2016/07/22	QUALITY SYMBOLS ∇=0 ∇=0 ∇=0	GENERAL TOLERANCES (UNLESS SPECIFIED)		DIMENSION STYLE <b>MM ONLY</b>	SCALE <b>4:1</b>	DESIGN UNITS <b>METRIC</b>	THIRD ANGLE PROJECTION	
		4 PLACES ± mm ± INCH	DRAWN BY DGRIFITHS	DATE 06-03-03	TITLE <b>MX150 1X6 RECEPTACLE SEALED ASSEMBLY MAT SEAL</b>			
		3 PLACES ± 0.10 ± 0.00 ± 0.00	CHECKED BY DGRIFITHS	DATE 06-03-03	MATERIAL NO. <b>SEE BOM</b>			
		2 PLACES ± 0.3 ± 0.00 ± 0.00	APPROVED BY DGRIFITHS	DATE 06-03-03	DOCUMENT NO. <b>SD-33471-061</b>			
DRAFT WHERE APPLICABLE MUST REMAIN WITHIN DIMENSIONS		ANGULAR ± 3 °		SHEET NO. 3 OF 4		THIS DRAWING CONTAINS INFORMATION THAT IS PROPRIETARY TO MOLEX INCORPORATED AND SHOULD NOT BE USED WITHOUT WRITTEN PERMISSION		

ASSEMBLY PART NUMBER	COLOR	KEYING OPTION	CAVITY TYPE & STATUS (X = PLUGGED)						CPA	STATUS	COMMENTS	
			1	2	3	4	5	6				
33471-0601	BLACK	A							-	SALEABLE		
33471-0602	LT. GRAY	B							-			
33471-0603	BROWN	C							-	NOT RECOMMENDED	SEE P/N 33471-0659	
33471-0604	GREEN	D							-	NOT RECOMMENDED	SEE P/N 33471-0660	
33471-0605	YELLOW	A							-	SALEABLE		
33471-0606	BLACK	A							YES	SALEABLE		
33471-0607	LT. GRAY	B							YES			
33471-0608	BROWN	C							YES	NOT RECOMMENDED	SEE P/N 33471-0661	
33471-0609	GREEN	D							YES	NOT RECOMMENDED	SEE P/N 33471-0662	
33471-0610	YELLOW	A							YES	SALEABLE		
33471-0611	BLACK	A						X	-	SALEABLE		
33471-0612	LT. GRAY	B						X	-			
33471-0613	BROWN	C						X	-	NOT RECOMMENDED	SEE P/N 33471-0663	
33471-0614	GREEN	D						X	-	NOT RECOMMENDED	SEE P/N 33471-0664	
33471-0615	YELLOW	A						X	-	SALEABLE		
33471-0616	BLACK	A						X	YES	SALEABLE		
33471-0617	LT. GRAY	B						X	YES			
33471-0618	BROWN	C						X	YES	NOT RECOMMENDED	SEE P/N 33471-0665	
33471-0619	GREEN	D						X	YES	NOT RECOMMENDED	SEE P/N 33471-0666	
33471-0620	YELLOW	A						X	YES	SALEABLE		
33471-0621	BLACK	A	X					X	-	SALEABLE		
33471-0622	LT. GRAY	B	X					X	-			
33471-0623	BROWN	C	X					X	-	NOT RECOMMENDED	SEE P/N 33471-0667	
33471-0624	GREEN	D	X					X	-	NOT RECOMMENDED	SEE P/N 33471-0668	
33471-0625	YELLOW	A	X					X	-	SALEABLE		
33471-0626	BLACK	A	X					X	YES	SALEABLE		
33471-0627	LT. GRAY	B	X					X	YES			
33471-0628	BROWN	C	X					X	YES	NOT RECOMMENDED	SEE P/N 33471-0669	
33471-0629	GREEN	D	X					X	YES	NOT RECOMMENDED	SEE P/N 33471-0670	
33471-0630	YELLOW	A	X					X	YES	SALEABLE		
33471-0631	BLACK	A	X	X				X	X	-	SALEABLE	
33471-0632	LT. GRAY	B	X	X	X			X	X	-		
33471-0633	BROWN	C	X	X	X	X		X	X	-	NOT RECOMMENDED	SEE P/N 33471-0671
33471-0634	GREEN	D	X	X	X	X	X	X	X	-	NOT RECOMMENDED	SEE P/N 33471-0672
33471-0635	YELLOW	A	X	X	X	X	X	X	X	-	SALEABLE	
33471-0650	BLACK	A						X	X	-	SALEABLE	
33471-0651	BLACK	A	X	X	X	X	X	X	X	YES	SALEABLE	
33471-0652	BLACK	A						X	X	YES	SALEABLE	
33471-0653	BLACK	A			X					YES	SALEABLE	
33471-0654	BLACK	A			X					-	SALEABLE	
33471-0655	BLACK	A			X	X	X			-	SALEABLE	
33471-0656	BLACK	A						X		-	SALEABLE	
33471-0657	BLACK	A						X		-	SALEABLE	
33471-0658	BLACK	A	X	X	X	X				-	SALEABLE	
33471-0659	DK.GRAY	C								-	SALEABLE	
33471-0660	ST.GRAY	D								-	SALEABLE	
33471-0661	DK.GRAY	C								YES	SALEABLE	
33471-0662	ST.GRAY	D								YES	SALEABLE	
33471-0663	DK.GRAY	C						X		-	SALEABLE	
33471-0664	ST.GRAY	D						X		-	SALEABLE	
33471-0665	DK.GRAY	C						X		YES	SALEABLE	
33471-0666	ST.GRAY	D						X		YES	SALEABLE	
33471-0667	DK.GRAY	C	X					X		-	SALEABLE	
33471-0668	ST.GRAY	D	X					X		-	SALEABLE	
33471-0669	DK.GRAY	C	X					X		YES	SALEABLE	
33471-0670	ST.GRAY	D	X					X		YES	SALEABLE	
33471-0671	DK.GRAY	C	X	X	X	X	X	X	X	-	SALEABLE	
33471-0672	ST.GRAY	D	X	X	X	X	X	X	X	-	SALEABLE	
33471-0673	BLACK	A			X					-	SALEABLE	
33471-0674	BLACK	A			X					-	SALEABLE	
33471-0675	BLACK	A	X		X					YES	SALEABLE	
33471-0676	BLACK	A	X							-	SALEABLE	

<b>ENTER DESCRIPTION</b> IEC NO. UAU2017-0053 DRAWN BY SD CHKD: APPR: JDENGOZ 2016/07/25 REV: DESCRIPTION	QUALITY SYMBOLS ∇=0 ∇=0 ∇=0	GENERAL TOLERANCES (UNLESS SPECIFIED) mm INCH 4 PLACES ± 0.10 ± 0.004 3 PLACES ± 0.15 ± 0.005 2 PLACES ± 0.20 ± 0.008 1 PLACE ± 0.30 ± 0.012 0 PLACE ± 0.50 ± 0.020	DIMENSION STYLE MM ONLY DRAWN BY DATE DGR1FF1THS 06-03-03 CHECKED BY DATE DGR1FF1THS 06-03-03 APPROVED BY DATE DGR1FF1THS 06-03-03	SCALE DESIGN UNITS THIRD ANGLE PROJECTION METRIC	TITLE MX150 1X6 RECEPTACLE SEALED ASSEMBLY MAT SEAL <b>molex</b>	MATERIAL NO. SEE BOM	DOCUMENT NO. SD-33471-061	SHEET NO. 4 OF 4
	DRAFT WHERE APPLICABLE MUST REMAIN WITHIN DIMENSIONS ANGULAR ± 3°		THIS DRAWING CONTAINS INFORMATION THAT IS PROPRIETARY TO MOLEX INCORPORATED AND SHOULD NOT BE USED WITHOUT WRITTEN PERMISSION					

TABLE OF CONTENTS	
SHEET NO.	SHEET DESCRIPTION
1	NOTES
2	KEY CONFIGURATIONS
3	BLADE SEALED ASSEMBLY
4	SYSTEM PACKAGING
5	BOM



NOTES: VALID UNLESS OTHERWISE SPECIFIED

1. GENERAL:  
 a. APPLICATION SPECIFICATION SEE: AS-33472-100  
 CONTAINS: PRODUCT INTRODUCTION, PRODUCT SUMMARY, CONNECTOR ASSEMBLY, PACKAGING INFORMATION, CONNECTOR MATING, SERVICE INSTRUCTIONS, ELECTRICAL CONTINUITY CHECKING, CRIMPING, AND TROUBLESHOOTING.  
 -DESIGNED TO MATE WITH RECEPTACLE SEALED ASSEMBLY SPECIFIED IN MOLEX DRAWING SD-33471-061.  
 -FOR 15mm BLADE TERMINALS TO BE USED WITH THIS ASSEMBLY SEE MOLEX DRAWING SD-33000-001.  
 - SYSTEM TO BE USED WITH WIRE WITHIN DIAMETER RANGE OF 1.2mm TO 2.69mm.  
 -ASSEMBLY SHIPPED WITH PLR IN PRE-LOCK POSITION  
 -IN THE EVENT THAT THE PLR IS FOUND IN THE SEATED (FINAL LOCK) POSITION, REFER TO MOLEX SPECIFICATION PS-34646-001, AVAILABLE AT [www.molex.com](http://www.molex.com) -<http://www.molex.com>  
 -ASSEMBLY CONFORMS TO SAE/USCAR-2 REV.4 WITH THE FOLLOWING EXCEPTIONS: TERMINAL INSERTION FORCE FOR WIRE DIAMETER ABOVE 2.5mm NOT EXCEEDING 2.69mm SHALL NOT EXCEED 45 NEWTONS.  
 b. PRODUCT SPECIFICATION SEE: PS-33471-000  
 CONTAINS: PRODUCT INTRODUCTION, PRODUCT SUMMARY, RATINGS (CURRENT, TEMPERATURE, SEALING, AND FLAMMABILITY), AND PRODUCT VALIDATION.  
 c. PACKAGING SPECIFICATION PER MOLEX DRAWING: PK-31300-635  
 d. PARTS MUST BE IN COMPLIANCE TO MOLEX CHEMICAL SUBSTANCES FOR PRODUCTS AND PACKAGING SPECIFICATION: ES-40000-5016  
 e. DATA MUST BE SUBMITTED UNDER THE MOLEX PART NUMBER TO IMDS (COMPANY ID#13255)

2. DESIGN - MATERIALS:  
 a. CONNECTOR HOUSING, GROMMET CAP, PLR: SPS/NYLON BLEND 20% GLASS FILLED  
 b. MAT SEAL: INHERENTLY LUBRICATED SILICONE

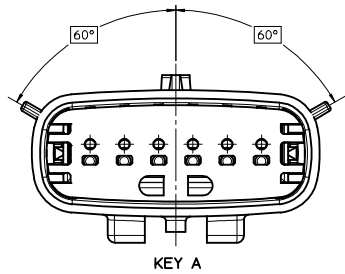
3. DESIGN - GEOMETRY:  
 a. THIS IS A 100% CAD GENERATED PART. THE CAD MATHEMATICAL DATA IS THE MASTER FOR THIS PART. FOR DIMENSIONAL OR ANY INFORMATION NOT SHOWN ON THIS DRAWING, ANALYZE THE CAD MODEL.  
 b. GEOMETRIC DIMENSIONS AND TOLERANCES PER ASME Y14.5M - 1994  
 c. EDGES AND UNDIMENSIONED DETAILS PER ISO13715  
 d. CORNERS SHOWN AS SHARP TO BE R 0.2 MAX.  
 e. LETTERING SHALL BE 0.15 MAX RAISED IN 0.25 MAX RECESS PAD. THIS INCLUDES RECYCLING CODE, CAVITY ID, VENDOR IDENTIFICATION, AND CUSTOMER MATERIAL NUMBER.  
 f. VISUAL DEFECTS SHALL MEET COSMETIC STANDARD PS-45499-002 (Class B)  
 g. LASER MARKING: TBD

INSPECTION NUMBER LOG  
 LAST NUMBER USED: 8  
 ADDED:  
 REMOVED:

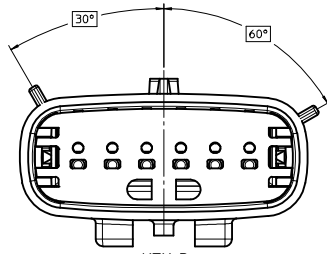
V2	ADD NEW P/N 33481-0624
V1	ADD NEW P/N 33481-0623
U	ADD NEW P/N 33481-0621 33481-0622
T	ADD NEW P/N 33481-0620
S	UPDATED GROMMET CAP
R1	UPDATED DIMENSIONS TO MATCH MODEL
R	COLOR REPLACEMENT FOR KEY C AND D PER USCAR STANDARD
D	REDRAWN
REV	DESCRIPTION

REVISED DEC NO: 11/01/08 DRAWN BY: DMARCOUX CHKD: DGRIFTH APPR: VKOSHY 2016/01/08 DESCRIPTION:	QUALITY SYMBOLS	GENERAL TOLERANCES (UNLESS SPECIFIED):	DIMENSION STYLE	SCALE	DESIGN UNITS	THIRD ANGLE PROJECTION MX150 1X6 BLADE SEALED ASSEMBLY MAT SEAL <b>molex</b> MATERIAL NO. SD-33481-061 DOCUMENT NO. SD-33481-061 SHEET NO. 1 OF 5	
	∇=0 ∇=0 ∇=0	4 PLACES ± --- ± --- 3 PLACES ± --- ± --- 2 PLACES ± 0.10 ± --- 1 PLACE ± 0.3 ± --- 0 PLACE ± ±	mm INCH ANGULAR ± 3 ° DRAFT WHERE APPLICABLE MUST REMAIN WITHIN DIMENSIONS	MM ONLY DRAWN BY: DMARCOUX DATE: 06-14-02 CHECKED BY: DGRIFTH DATE: 06-14-02 APPROVED BY: VKOSHY DATE: 2010/11/04	3:1 METRIC		∅ □
	SIZE D THIS DRAWING CONTAINS INFORMATION THAT IS PROPRIETARY TO MOLEX INCORPORATED AND SHOULD NOT BE USED WITHOUT WRITTEN PERMISSION						

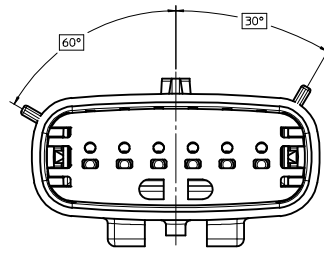
KEY CONFIGURATIONS



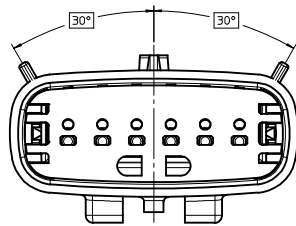
KEY A



KEY B



KEY C

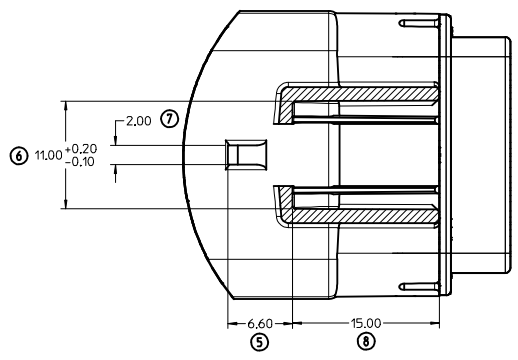
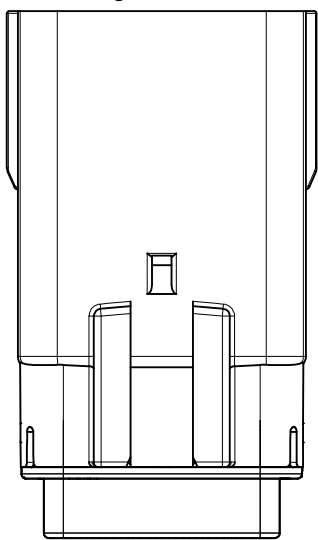
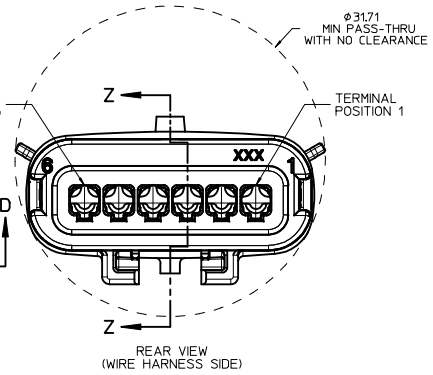
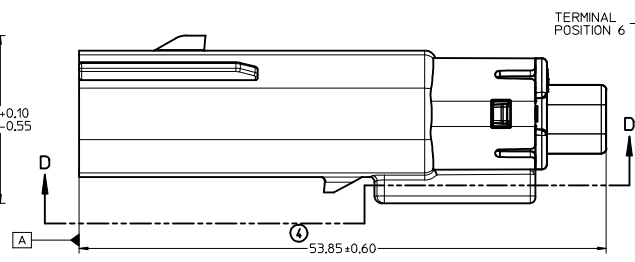
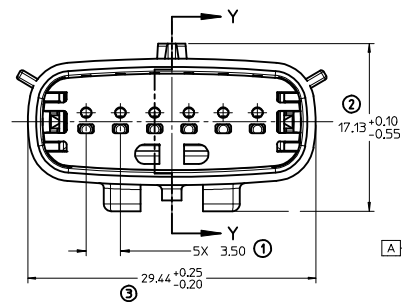
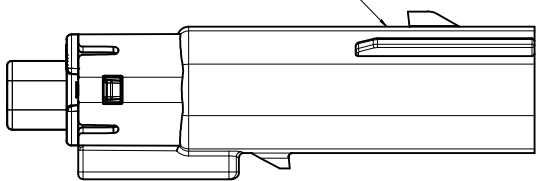


KEY D

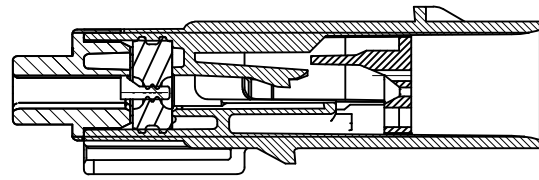
REVISED EEC NO. UAU2016-0981 DRAWN BY VZ CHKD: APPR: VKOSHY 2015/10/24 2016/01/08	QUALITY SYMBOLS ▽=0 ▽=0 ▽=0	GENERAL TOLERANCES (UNLESS SPECIFIED)		DIMENSION STYLE <b>MM ONLY</b>	SCALE <b>4:1</b>	DESIGN UNITS <b>METRIC</b>	THIRD ANGLE PROJECTION
		4 PLACES ± mm ± INCH 3 PLACES ± --- ± --- 2 PLACES ± 0.10 ± --- 1 PLACE ± 0.3 ± --- 0 PLACE ± ±	DRAWN BY DATE DMARCOUX 06-14-02 CHECKED BY DATE DGRIFFTH 06-14-02 APPROVED BY DATE VKOSHY 2010/11/04	TITLE <b>MX150 1X6 BLADE SEALED ASSEMBLY MAT SEAL</b>		MATERIAL NO. <b>SEE BOM</b>	DOCUMENT NO. <b>SD-33481-061</b>
ANGLAR ± 3 ° DRAFT WHERE APPLICABLE MUST REMAIN WITHIN DIMENSIONS		THIS DRAWING CONTAINS INFORMATION THAT IS PROPRIETARY TO MOLEX INCORPORATED AND SHOULD NOT BE USED WITHOUT WRITTEN PERMISSION					

BLADE SEALED ASSEMBLY

LASER MARKING THIS SURFACE  
SEE NOTE 3g.

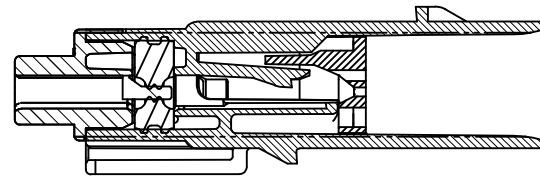


SECTION D-D



PRIMARY LOCK REINFORCEMENT (PLR) SHOWN  
IN PRE-STAGED POSITION

SECTION Z-Z



PRIMARY LOCK REINFORCEMENT (PLR) SHOWN  
IN FINAL-LOCK POSITION

SECTION Y-Y

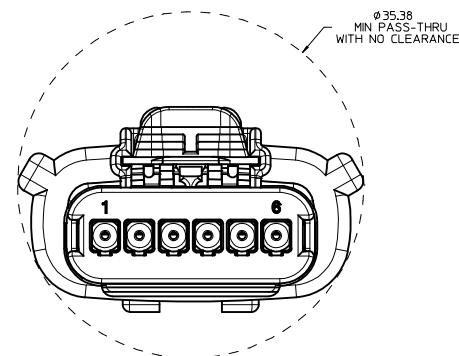
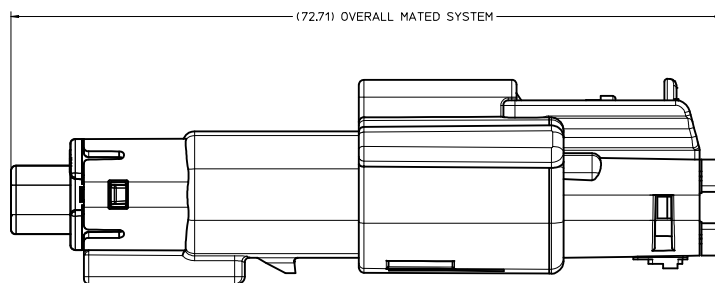
REVISED EEC NO. UAU2016-0981 DRAWN BY V2 CHKD: APPR:VKOSHY 2015/10/24 2016/01/08	QUALITY SYMBOLS	GENERAL TOLERANCES (UNLESS SPECIFIED)	DIMENSION STYLE	SCALE	DESIGN UNITS	THIRD ANGLE PROJECTION
	▽=0	mm INCH	MM ONLY	4:1	METRIC	☉
	▽=0	4 PLACES ± --- ± ---	DRAWN BY DATE			
	▽=0	3 PLACES ± --- ± ---	DMARCOUX 06-14-02			
	2 PLACES ± 0.10 ± ---	CHECKED BY DATE				
	1 PLACE ± 0.3 ± ---	DGRIFITH 06-14-02				
	0 PLACE ± ±	APPROVED BY DATE				
		VKOSHY 2010/11/04				
		ANGULAR ± 3 °	MATERIAL NO.	SEE BOM	DOCUMENT NO.	
		DRAFT WHERE APPLICABLE MUST REMAIN WITHIN DIMENSIONS	SIZE	D	SD-33481-061	
			THIS DRAWING CONTAINS INFORMATION THAT IS PROPRIETARY TO MOLEX INCORPORATED AND SHOULD NOT BE USED WITHOUT WRITTEN PERMISSION			

MX150 1X6 BLADE SEALED ASSEMBLY  
MAT SEAL

**molex**

SHEET NO.  
3 OF 5

SYSTEM PACKAGING



REVISED EEC NO. UAU2016-0981 DRAWN BY VZ CHKD: APPR: VKOSHY 2015/10/24 2016/01/08	QUALITY SYMBOLS	GENERAL TOLERANCES (UNLESS SPECIFIED)	DIMENSION STYLE	SCALE	DESIGN UNITS	THIRD ANGLE PROJECTION
	▽=0	mm INCH	MM ONLY	4:1	METRIC	☉
	▽=0	4 PLACES ± --- ± ---	DRAWN BY DATE			
	▽=0	3 PLACES ± --- ± ---	DMARCOUX 06-14-02			
	2 PLACES ± 0.10 ± ---	CHECKED BY DATE				MX150 1X6 BLADE SEALED ASSEMBLY MAT SEAL <b>molex</b>
	1 PLACE ± 0.3 ± ---	DGRIFITH 06-14-02				
	0 PLACE ± ±	APPROVED BY DATE				MATERIAL NO. SEE BOM DOCUMENT NO. SD-33481-061
		ANGULAR ± 3 °	SIZE D			SHEET NO. 4 OF 5 THIS DRAWING CONTAINS INFORMATION THAT IS PROPRIETARY TO MOLEX INCORPORATED AND SHOULD NOT BE USED WITHOUT WRITTEN PERMISSION



BOM SHEET 1

ASSEMBLY PART NUMBER	COLOR	KEYING OPTION	CAVITY TYPE & STATUS ( X = PLUGGED)						STATUS	COMMENTS
			1	2	3	4	5	6		
33481-0601	BLACK	A							SALEABLE	
33481-0602	LT.GRAY	B								
33481-0603	BROWN	C								NOT RECOMMENDED, SEE P/N 33481-0618
33481-0604	GREEN	D								NOT RECOMMENDED, SEE P/N 33481-0619
33481-0605	YELLOW	A							SALEABLE	
33481-0606	BLACK	A						X	SALEABLE	
33481-0607	LT.GRAY	B						X		
33481-0608	BROWN	C						X		
33481-0609	GREEN	D						X		
33481-0610	YELLOW	A						X	SALEABLE	
33481-0611	BLACK	A	X					X	SALEABLE	
33481-0612	LT.GRAY	B	X					X		
33481-0613	BROWN	C	X					X		
33481-0614	GREEN	D	X					X		
33481-0615	YELLOW	A	X					X	SALEABLE	
33481-0616	BLACK	A	X	X	X	X	X	X	SALEABLE	
33481-0617	BLACK	A						X	SALEABLE	
33481-0618	DK.GRAY	C								
33481-0619	ST.GRAY	D								
33481-0620	BLACK	A			X				SALEABLE	
33481-0621	ST.GRAY	D	X	X	X	X	X	X	SALEABLE	
33481-0622	ST.GRAY	D	X					X	SALEABLE	
33481-0623	BLACK	A	X		X			X	SALEABLE	
V2 33481-0624	BLACK	A						X	SALEABLE	

REVISED EEC NO: UAU2016-0981 DRAWN BY: DRWINNYE 2015/12/24 CHKD: V2 APPR: VKOSHY 2016/01/08 DESCRIPTION:	QUALITY SYMBOLS	GENERAL TOLERANCES (UNLESS SPECIFIED)	DIMENSION STYLE	SCALE	DESIGN UNITS	THIRD ANGLE PROJECTION
	▽=0	mm INCH	MM ONLY		METRIC	
	▽=0	4 PLACES ± --- + ---	DRAWN BY: DMARCOUX DATE: 06-14-02	TITLE: MX150 1X6 BLADE SEALED ASSEMBLY MAT SEAL		
	▽=0	3 PLACES ± --- + ---	CHECKED BY: DGRIFITH DATE: 06-14-02	molex		
	2 PLACES ± 0.10 + ---	APPROVED BY: VKOSHY DATE: 2010/11/04	MATERIAL NO. SEE BOM	DOCUMENT NO. SD-33481-061	SHEET NO. 5 OF 5	
	1 PLACE ± 0.3 + ---		THIS DRAWING CONTAINS INFORMATION THAT IS PROPRIETARY TO MOLEX INCORPORATED AND SHOULD NOT BE USED WITHOUT WRITTEN PERMISSION			
	0 PLACE ± +					