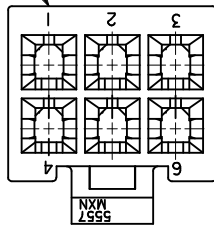
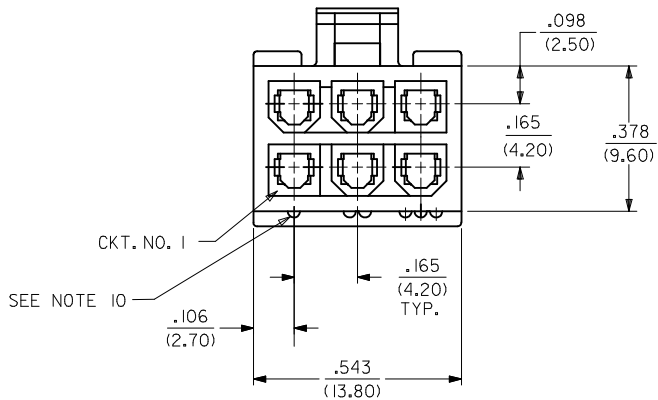
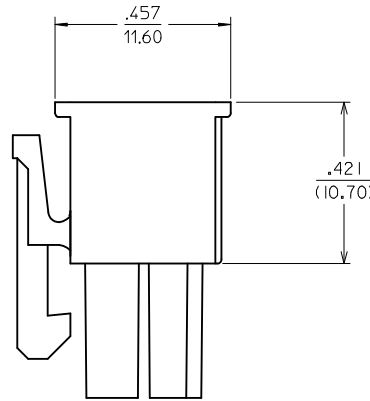
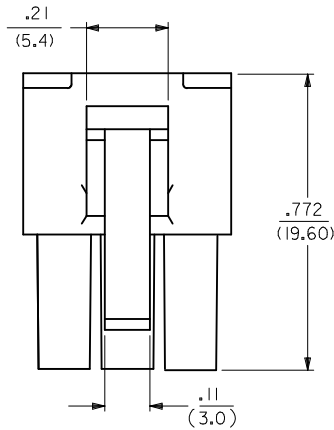


CIRCUIT NO.



NOTES:

- 1) HOUSING MATERIAL: NYLON, UNFILLED UL94 V-0, COLOR: SEE CHART
- 2) FINISH: NONE
- 3) PRODUCT SPECIFICATION: PS-45558-001
- 4) PACKAGING SPECIFICATION: PK-5557-002
- 5) PARTS MATE WITH MINI-FIT JR. RIGHT ANGLE HEADER ASSEMBLIES 455580002, 455580003 AND 457320001.
- 6) PART TO BE USED WITH MOLEX FEMALE TERMINAL #5556.
- 7) ALL DIMENSIONS ARE REFERENCE UNLESS OTHERWISE SPECIFIED WITH A TOLERANCE.
- 8) PART IS NOT DESIGNED FOR CURRENT SHARING.
- 9) PARTS ARE NOT TO BE MATED OR UNMATED WHILE CIRCUITS ARE LIVE.
- 10) RIBS INDICATE CIRCUIT NUMBER.
- 11) PART CONFORMS TO CLASS "B" REQUIREMENTS OF COSMETIC SPECIFICATION PS-45499-002.



PART NUMBER	COLOR
45559-0002	BLACK
45559-0003	WHITE

THIRD ANGLE PROJECTION

ADD TOLERANCES EC NO: UCP2015-4546 DRWNGGA 2015/04/30 CHKD:JBELL 2015/04/30 APPR:FSMITH 2015/05/06 REV: A3	QUALITY SYMBOLS ∇=0 ∇=0 ∇=0	GENERAL TOLERANCES (UNLESS SPECIFIED) <table border="1"> <tr> <th></th> <th>mm</th> <th>INCH</th> </tr> <tr> <td>4 PLACES</td> <td>± .010</td> <td>± .0004</td> </tr> <tr> <td>3 PLACES</td> <td>± .015</td> <td>± .0006</td> </tr> <tr> <td>2 PLACES</td> <td>± 0.25</td> <td>± 0.010</td> </tr> <tr> <td>1 PLACE</td> <td>± 0.38</td> <td>± .015</td> </tr> <tr> <td>0 PLACE</td> <td>±</td> <td>±</td> </tr> </table>		mm	INCH	4 PLACES	± .010	± .0004	3 PLACES	± .015	± .0006	2 PLACES	± 0.25	± 0.010	1 PLACE	± 0.38	± .015	0 PLACE	±	±	DIMENSION STYLE IN/MM DRAWN BY DATE JJS 2003/11/11 CHECKED BY DATE GEP 2003/11/11 APPROVED BY DATE YLM 2003/11/11	SCALE DESIGN UNITS METRIC	TITLE 6 CKT. RECEPT. HOUSING SPECIAL POLARIZATION MINI-FIT JR. SERIES molex	MATERIAL NO. SEE CHART	DOCUMENT NO. SD-45559-001	SHEET NO. 1 OF 1
		mm	INCH																							
	4 PLACES	± .010	± .0004																							
	3 PLACES	± .015	± .0006																							
2 PLACES	± 0.25	± 0.010																								
1 PLACE	± 0.38	± .015																								
0 PLACE	±	±																								
DRAFT WHERE APPLICABLE MUST REMAIN WITHIN DIMENSIONS		ANGULAR ±---°		THIS DRAWING CONTAINS INFORMATION THAT IS PROPRIETARY TO MOLEX INCORPORATED AND SHOULD NOT BE USED WITHOUT WRITTEN PERMISSION																						