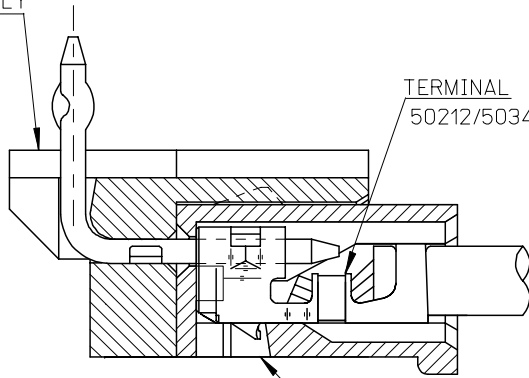


10 9 8 7 6 5 4 3 2 1

F

HEADER HOUSING ASSEMBLY
53254SERIES



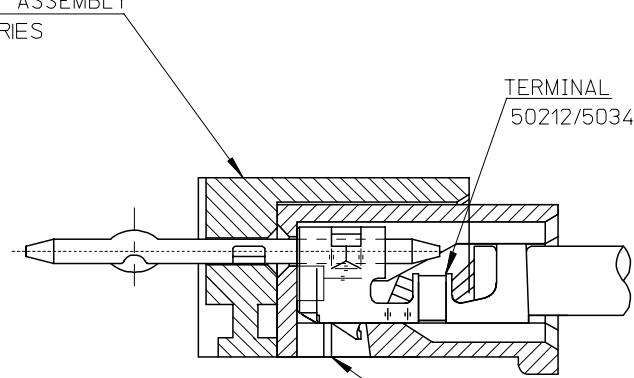
TERMINAL
50212/50346 SERIES

RECEPTACLE HOUSING
51065 SERIES

51065シリーズ/53254シリーズ 嵌合状態図 参考
51065 SERIES/53254 SERIES MATED DRAWING (REF.)

F

HEADER HOUSING ASSEMBLY
53253SERIES



TERMINAL
50212/50346 SERIES

RECEPTACLE HOUSING
51065 SERIES

51065シリーズ/53253シリーズ 嵌合状態図 参考
51065 SERIES/53253 SERIES MATED DRAWING (REF.)

E

E

D

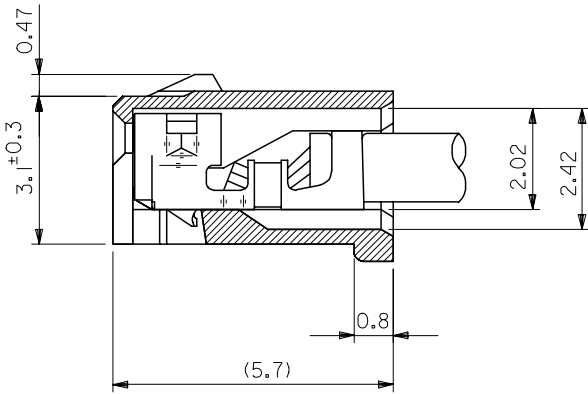
D

C

C

B

B



ターミナル装着状態図
TERMINAL ASS'Y DWG.

RELEASED EC NO: J2008-2041 DRWN: AOYAGI 2007/11/21 CHKD: THARUYAMA 2007/11/22 APPR: NUKITA 2007/11/22	GENERAL TOLERANCES (UNLESS SPECIFIED)		DIMENSION STYLE MM ONLY	SCALE 10:1	DESIGN UNITS METRIC	THIRD ANGLE PROJECTION
	10 UNDER	±0.2	DRAWN BY Y. AOYAGI	DATE 2007/11/13	TITLE NEW 2.0 W/B CONN. 51065/53253OR51065/53254	
	10 OVER 30 UNDER	±0.25	CHECKED BY N. UKITA	DATE 2007/11/13	MOLEX INCORPORATED	
	30 OVER	±0.3	APPROVED BY N. UKITA	DATE 2007/11/13		
	ANGULAR	±1 °	MATERIAL NO.	SEE TABLE	DOCUMENT NO. SD-51065-006	SHEET NO. 1 OF 1
0	DRAFT WHERE APPLICABLE MUST REMAIN WITHIN DIMENSIONS		SIZE A3	THIS DRAWING CONTAINS INFORMATION THAT IS PROPRIETARY TO MOLEX INCORPORATED AND SHOULD NOT BE USED WITHOUT WRITTEN PERMISSION		

9

8

7

6

5

4

3

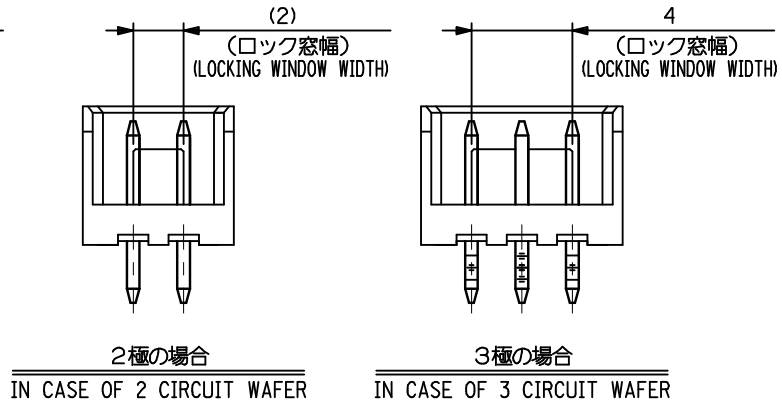
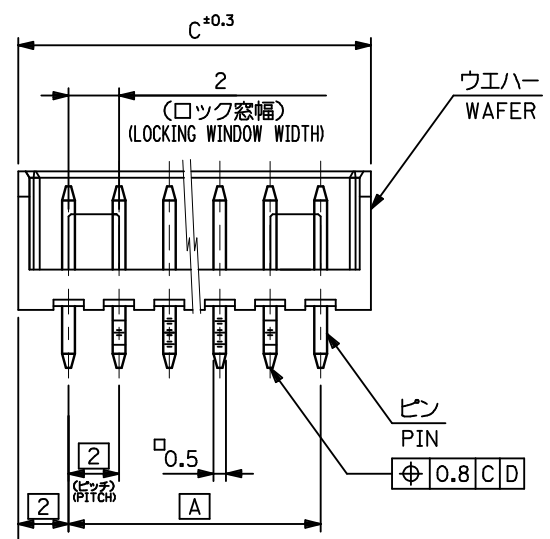
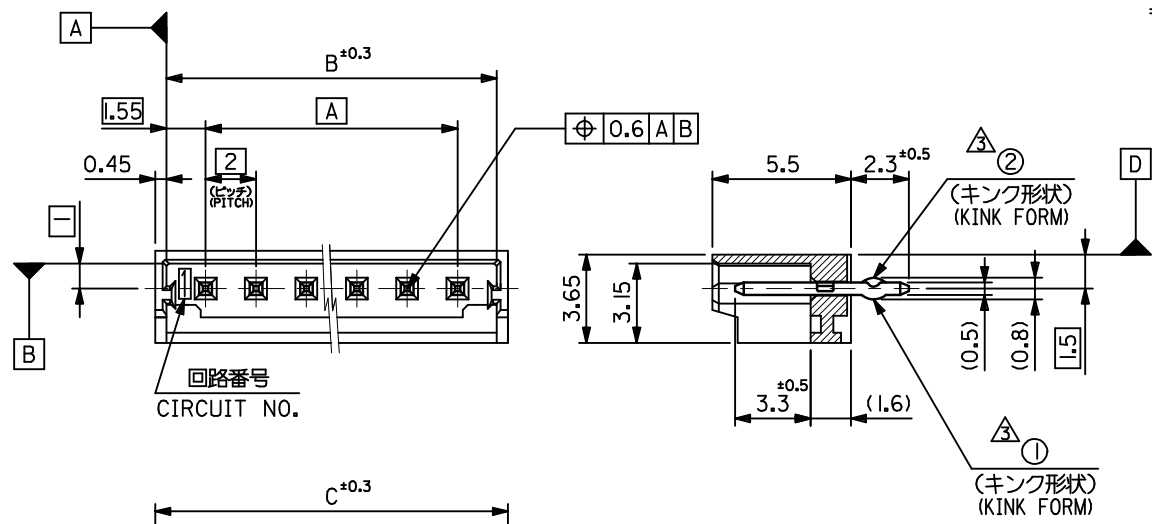
2

注記 NOTES

1. 嵌合相手：51065 シリーズ
MATE WITH : 51065 SERIES
2. 材質
MATERIAL
ウエハー：ポリアミド、UL94V-0 色：ナチュラル(白)
WAFER : POLYAMIDE, UL94V-0 COLOR: NATURAL (WHITE)
ピン : 黄銅、スズメッキ
PIN : BRASS, TIN
- △ キンクは下記表の位置及び形状に付加のこと。2極はキンク無し。
KINK TO BE APPLIED AS FOLLOWS, 2 CIRCUIT HAS NO KINK.

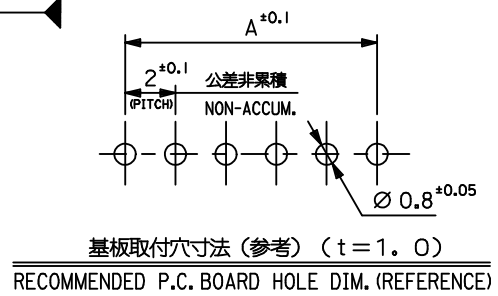
極数 CKT	回路番号 CKT NO.	回路番号							
		1	2	3	4	5	N-2	N-1	N
6 極以上	MORE THAN 6 CKT	—	①	②	—	—	②	①	—
5 極	5 CKT	①	②	—	②	①			
4 極	4 CKT	①	②	②	①				
3 極	3 CKT	①	②	①					

4. 本製品は 53253 **20 の鉛フリー品である。
THIS PRODUCT IS LEAD FREE OF 53253-**-20.



32	31.1	28	53253 1580	15	
30	29.1	26	4	1480	14
28	27.1	24	4	1380	13
26	25.1	22		1280	12
24	23.1	20		1180	11
22	21.1	18		1080	10
20	19.1	16		0980	9
18	17.1	14		0880	8
16	15.1	12		0780	7
14	13.1	10		0680	6
12	11.1	8		0580	5
10	9.1	6		0480	4
8	7.1	4		0380	3

53253**80	6	5.1	2	53253 0280	2
MODEL NO.	C	B	A	MATERIAL NO.	CKT. 極数



REVISED EC NO: J2012-0969 2012/01/19 DRWN:KAWASHIO 2013/07/05 CHKD:KASAKAWA 2013/07/05 APPR:NUKITA 2013/07/08	DESCRIPTION	GENERAL TOLERANCES (UNLESS SPECIFIED)		DIMENSION STYLE		SCALE	DESIGN UNITS	THIRD ANGLE PROJECTION		
		10 UNDER ±0.2		MM ONLY		5:1	METRIC			
		10 OVER 30 UNDER ±0.25		DRAWN BY DATE		TITLE		NEW 2.0 W/B CONN WAFER ASSY (ST) -LEAD FREE-		
		30 OVER ±0.3		M. NABE I 2004/06/11						
A	REV	ANGULAR ±3 °		CHECKED BY DATE		DOCUMENT NO.		SHEET NO.		
		DRAFT WHERE APPLICABLE MUST REMAIN WITHIN DIMENSIONS		K. TOJO 2004/06/11		SD-53253-003				
		MATERIAL NO. SEE CHART		APPROVED BY DATE		THIS DRAWING CONTAINS INFORMATION THAT IS PROPRIETARY TO MOLEX INCORPORATED AND SHOULD NOT BE USED WITHOUT WRITTEN PERMISSION		1 OF 1		