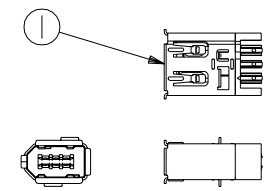


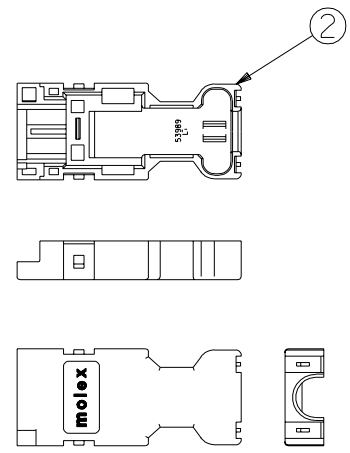
DWG. NO. SD-54280-008

部品構成
PARTS CONSTRUCTION

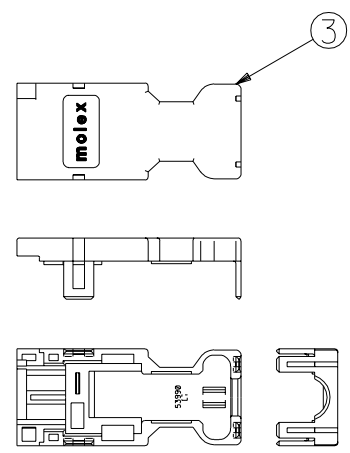
部番 NO.	部品名 PART NAME	製品番号 ENG. NO.	個数 QUAN.	材質 MATERIAL
①	ハウジングアッセンブリ HOUSING ASS'Y	53988-0619	1	ハウジング：ガラス入り耐熱樹脂 UL94V-0 色：黒 HOUSING : G.F. HEAT RESISTANT PLASTIC UL94V-0 COLOR : BLACK ターミナル：りん青銅 t0.3 TERMINAL : PHOSPHOR BRONZE t0.3 メッキ仕様 接点部：ニッケル下地金メッキ PLATING CONTACT AREA : GOLD OVER NICKEL 結線部：ニッケル下地錫メッキ WIRE TERMINATION AREA : TIN OVER NICKEL シエル：りん青銅 t0.4 SHELL : PHOSPHOR BRONZE t0.4 メッキ仕様 ニッケル下地錫メッキ PLATING TIN OVER NICKEL
②	カバー A COVER A	53989-0605	1	ガラス入りポリカーボネイト樹脂 UL94V-0 色：グレー POLYCARBONATE G.F. UL94V-0 COLOR : GRAY
③	カバー B COVER B	53990-0605	1	
④	シエル カバー SHELL COVER	58302-0628	1	鋼 t0.4 STEEL t0.4 メッキ仕様：ニッケル下地、錫メッキ PLATING : NICKEL BASE, TIN PLATING
⑤	ケーブルクランプ CABLE CLAMP	58303-0000	1	ステンレス鋼 STAINLESS STEEL
⑥	十字穴付きなべ小ネジ CROSS RECESSED PAN HEAD MACHINE SCREW	59832-0009	2	黄銅(ネジサイズ：M2X4) BRASS (SCREW SIZE : M2X4)



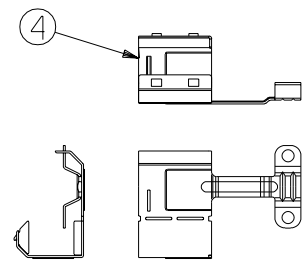
HOUSING ASS'Y



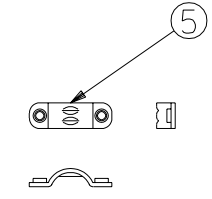
COVER A



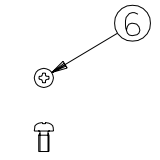
COVER B



SHELL COVER



CABLE CLAMP



SCREW

54280-0609
MATERIAL No.

角度 ANGLE	±3°	材料 MATERIAL	注参照 SEE NOTES	MOLEX-JAPAN CO.,LTD. 日本モレックス株式会社
30以上 OVER	+0.3	仕上げ FINISH	注参照 SEE NOTES	
10以上 OVER 30未滿 UNDER	+0.25	適用電線範囲 WIRE RANGE	— # —	REVISE ONLY ON CAD SYSTEM
未滿 10 UNDER	+0.2	被覆外径 INS. RANGE	— # —	TITLE 名称 2.0 mm PITCH I/O CONN.
一般公差 GENERAL TOLERANCES	① 新規作成 (J2004-4290) RELEASED	DRAWN BY '04/05/18	CHK'D BY '04/05/18	SOCKET SET -LEAD FREE-
記号 LTR	変更内容 REVISION RECORD	DR. '04/05/18	DATE	DWG. NO. SD-54280-008
		DR. M.S.	DATE	REV 0
		CHK. M.S.	DATE	
		APP'D BY '04/05/18	SCALE 1-1	
		M.SASAO		

DIMENSIONS IN METRIC DO NOT SCALE DRAWING

SD-54280-008.S01

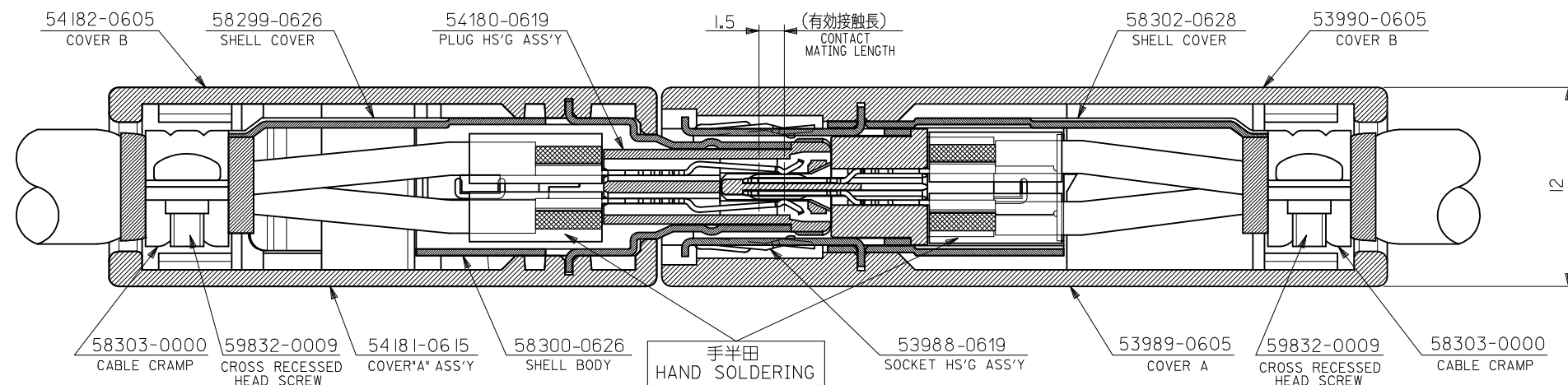
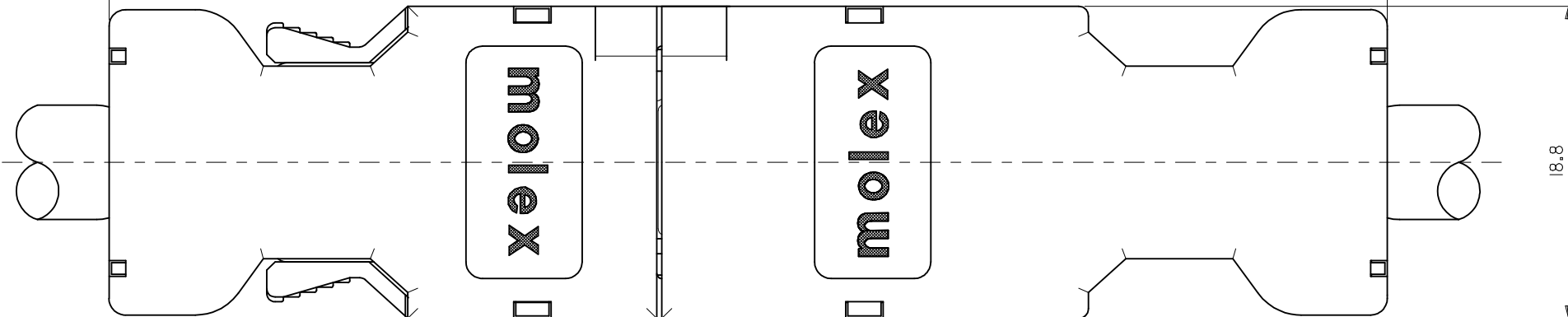
10 9 8 7 6 5 4 3 2 1

プラグ側 (55100-0670)
PLUG SIDE

ソケット側 (54280-0609)
SOCKET SIDE

77

18.8



注記
NOTE

1. 本製品は 55100-0600, 54280-0600 の鉛フリー品である。
THIS PRODUCT IS LEAD FREE OF 55100-0600 AND 54280-0600.

RELEASED EC NO.: J2008-3560 DRWN: MABEI 2008/04/09 CHKD: MISOGAYA 2008/04/10 APPR: NUKITA 2008/04/11	GENERAL TOLERANCES (UNLESS SPECIFIED)		DIMENSION STYLE MM ONLY		SCALE 4:1	DESIGN UNITS METRIC	THIRD ANGLE PROJECTION
	10 UNDER	± ---	DRAWN BY M. NABEI	DATE '08/04/07	TITLE 2.0 I/O CONN. CROSS-SECT. VIEW OF MATED CONNECTORS -LEAD FREE-		
	10 OVER 30 UNDER	± ---	CHECKED BY M. ISOGAYA	DATE '08/04/07	MOLEX INCORPORATED		
	30 OVER	± ---	APPROVED BY N. UKITA	DATE '08/04/07	DOCUMENT NO. SD-54280-011		
	ANGULAR ± --- °		MATERIAL NO.		SHEET NO. 1 OF 1		
	DRAFT WHERE APPLICABLE MUST REMAIN WITHIN DIMENSIONS	SEE IN FIGURE		THIS DRAWING CONTAINS INFORMATION THAT IS PROPRIETARY TO MOLEX INCORPORATED AND SHOULD NOT BE USED WITHOUT WRITTEN PERMISSION			