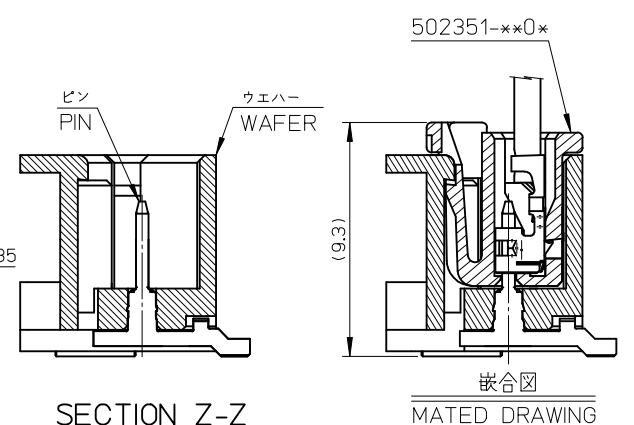
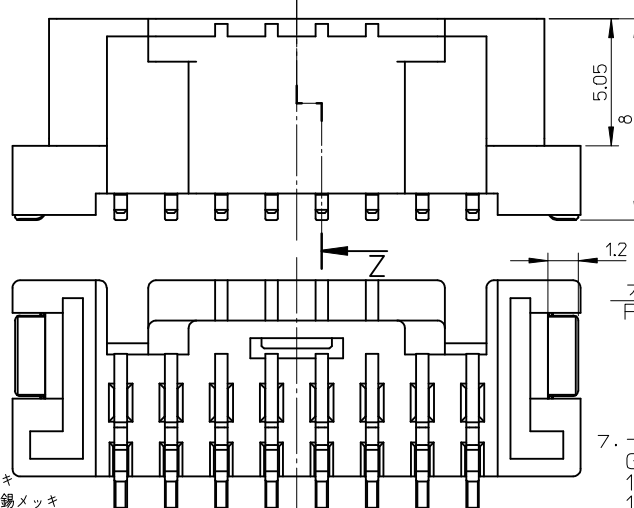


参考基板レイアウト (N=極数)
PCB PATTERN LAYOUT (N:CIRCUIT)



SECTION Z-Z

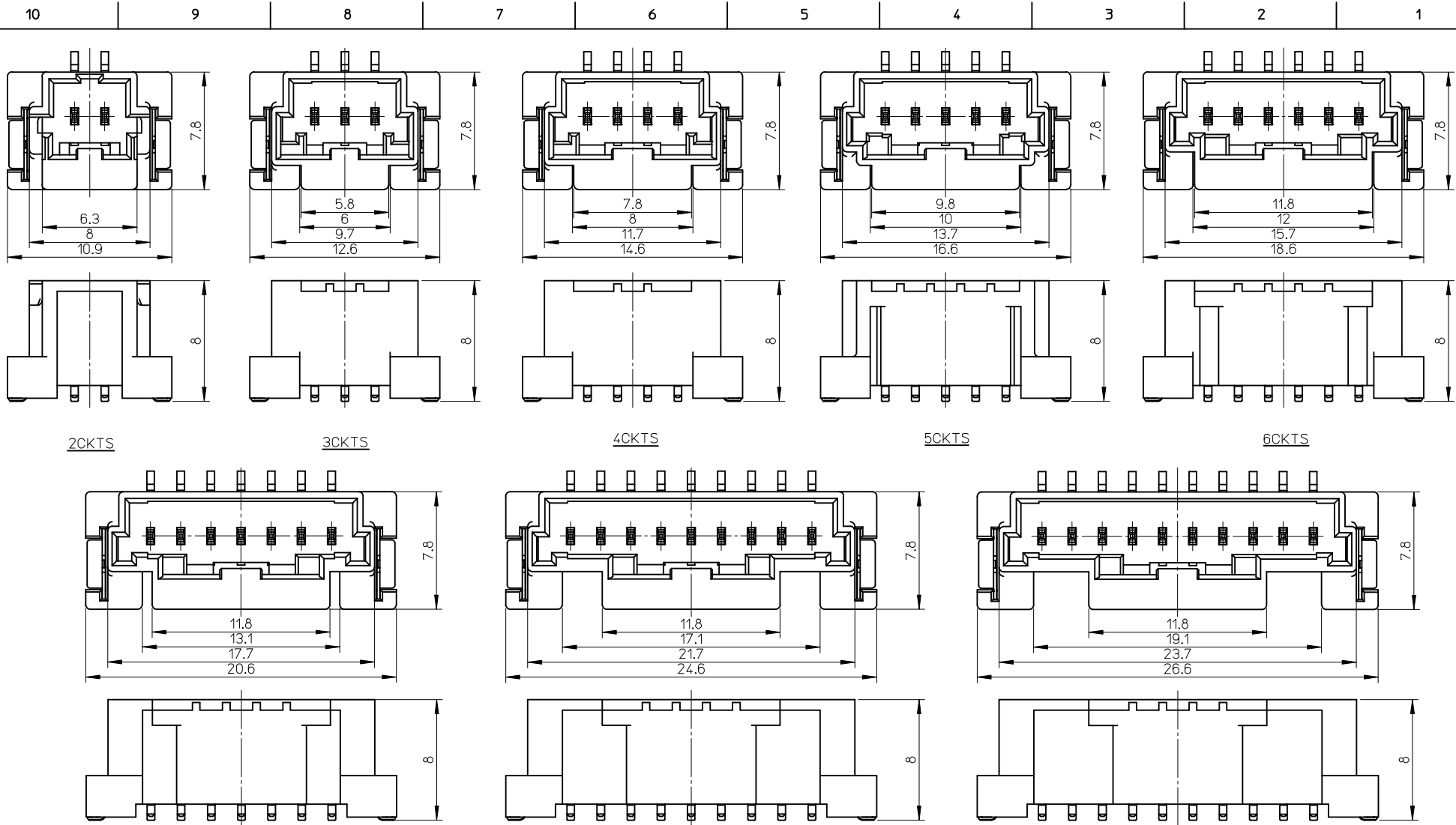
嵌合図
MATED DRAWING

注記
NOTES

- 材質
ウエハー: 耐熱性ナイロン UL94V-0
ピン: 銅合金、ニッケル下地、錫メッキ、金メッキ
フィッティングネール: 銅合金、ニッケル下地、錫メッキ
MATERIAL
WAFER: POLYAMIDE UL94V-0
PIN: COPPER ALLOY, GOLD OR TIN OVER NICKEL PLATE.
FITTING NAIL: COPPER ALLOY, TIN OVER NICKEL PLATE.
- 色: ナチュラル、黒、赤、青
COLOR: NATURAL, BLACK, RED, BLUE
- 嵌合相手:
ハウジング: 502351-xx0*
錫メッキ端子: 50212-8*00, 50372-8*00, 560085-0101
金メッキ端子: 56161-8*81
MATES WITH
HOUSING: 502351-xx0*
SN PLATING TERMINAL: 50212-8*00, 50372-8*00, 560085-0101
AU PLATING TERMINAL: 56161-8*81
- エンボス梱包品の詳細はSD-560020-002参照
DETAILED TAPING PACKAGE, SEE SD-560020-002
- ELV及びRoHS適合
ELV AND ROHS COMPLIANT
- 半田付け面のコプラナリティ: 0.1mm MAX.
CO-PLANARITY OF SOLDER TAILS TO BE 0.1mm MAX.

- 一般公差
GENERAL TOLERANCES
10 UNDER: 0.2
10 OVER 30 UNDER: 0.25
30 OVER: 0.3
ANGULAR ± 1°

REVISED EC NO: JTR2016-0015 DRW: KIKUNAGA I02 2016/03/01 CHK: D-HKOMATSU 2016/03/04 APPR: MAYAMOTO 2016/03/08	QUALITY SYMBOLS F=0 G=0 P=0	GENERAL TOLERANCES (UNLESS SPECIFIED)		DIMENSION STYLE MM ONLY	SCALE 5:1	DESIGN UNITS METRIC	THIRD ANGLE PROJECTION						
		4 PLACES ± --- ± ---	3 PLACES ± --- ± ---	2 PLACES ± --- ± ---	1 PLACE ± --- ± ---	0 PLACE ± --- ± ---	ANGULAR ± - °	DRAFT WHERE APPLICABLE MUST REMAIN WITHIN DIMENSIONS	DRAWN BY SHSHIBATA	DATE 2009/02/18	TITLE 2.0MM PITCH W/B CONN. WAFER ASSY ST. SMT		
		DRAWN BY SHSHIBATA		DATE 2009/02/18		CHECKED BY HKOMATSU		DATE 2009/02/18		APPROVED BY AKANESHIGE		DATE 2009/02/18	
		MATERIAL NO.		SEE CHART		DOCUMENT NO. SD-560020-001		SHEET NO. 1 OF 4					



2CKTS

3CKTS

4CKTS

5CKTS

6CKTS

7CKTS

9CKTS

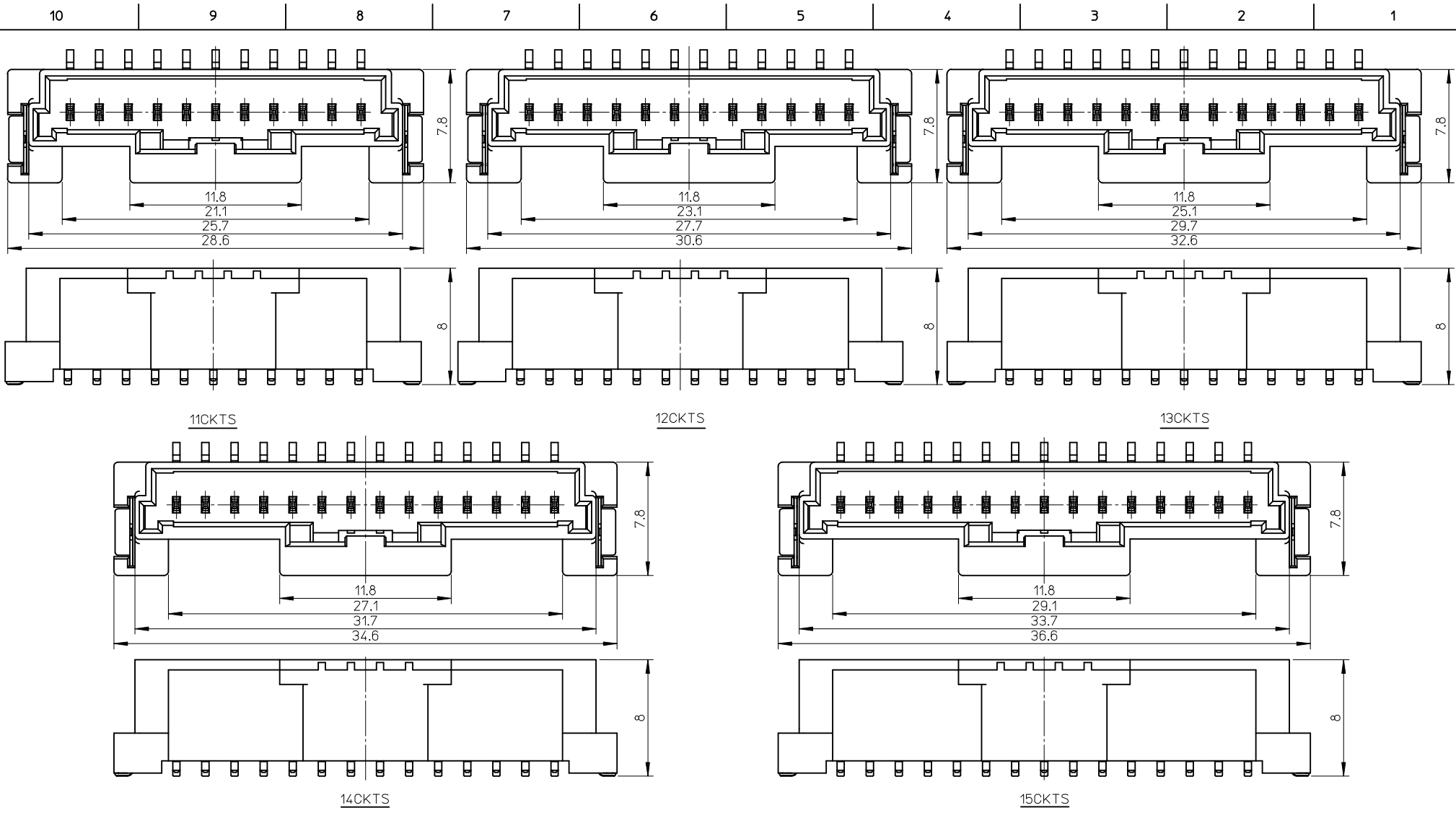
10CKTS

REVISED EC NO: JTR2016-0015 G DRW:KINAGAI02 2016/03/01 CHKD:HKOMATSU 2016/03/04 APPR:KAYAMAMOTO 2016/03/08	QUALITY SYMBOLS $\nabla = 0$ $\nabla = 0$ $\nabla = 0$	GENERAL TOLERANCES (UNLESS SPECIFIED)		DIMENSION STYLE MM ONLY	SCALE 4:1	DESIGN UNITS METRIC	THIRD ANGLE PROJECTION		
		4 PLACES \pm --- \pm --- 3 PLACES \pm --- \pm --- 2 PLACES \pm --- \pm --- 1 PLACE \pm --- \pm --- 0 PLACE \pm --- \pm ---	mm INCH	DRAWN BY SHSHIBATA	DATE 2009/02/18	TITLE 2.0MM PITCH W/B CONN. WAFER ASSY ST. SMT			
		ANGULAR \pm - °		CHECKED BY HKOMATSU	DATE 2009/02/18	molex			
		DRAFT WHERE APPLICABLE MUST REMAIN WITHIN DIMENSIONS		APPROVED BY AKANESHIGE	DATE 2009/02/18				

SEE CHART

SIZE A3

THIS DRAWING CONTAINS INFORMATION THAT IS PROPRIETARY TO MOLEX INCORPORATED AND SHOULD NOT BE USED WITHOUT WRITTEN PERMISSION



REVISED EC NO: JTR2016-0015 G DRW:KNAGA I02 2016/03/01 CHKD:HKOMATSU 2016/03/04 APPR:MIYAMOTO 2016/03/08	QUALITY SYMBOLS $\nabla = 0$ $\nabla = 0$ $\nabla = 0$	GENERAL TOLERANCES (UNLESS SPECIFIED)		DIMENSION STYLE MM ONLY	SCALE 4:1	DESIGN UNITS METRIC	THIRD ANGLE PROJECTION																																					
		<table border="1"> <thead> <tr> <th></th> <th>mm</th> <th>INCH</th> </tr> </thead> <tbody> <tr> <td>4 PLACES</td> <td>± ---</td> <td>± ---</td> </tr> <tr> <td>3 PLACES</td> <td>± ---</td> <td>± ---</td> </tr> <tr> <td>2 PLACES</td> <td>± ---</td> <td>± ---</td> </tr> <tr> <td>1 PLACE</td> <td>± ---</td> <td>± ---</td> </tr> <tr> <td>0 PLACE</td> <td>± ---</td> <td>± ---</td> </tr> </tbody> </table>		mm	INCH	4 PLACES	± ---	± ---	3 PLACES	± ---	± ---	2 PLACES	± ---	± ---	1 PLACE	± ---	± ---	0 PLACE	± ---	± ---	<table border="1"> <thead> <tr> <th>DRAWN BY</th> <th>DATE</th> <th>TITLE</th> </tr> </thead> <tbody> <tr> <td>SHSHIBATA</td> <td>2009/02/18</td> <td rowspan="2">2.0MM PITCH W/B CONN. WAFER ASSY ST. SMT</td> </tr> <tr> <td>CHKD BY</td> <td>DATE</td> </tr> <tr> <td>HKOMATSU</td> <td>2009/02/18</td> <td rowspan="2">molex</td> </tr> <tr> <td>APPROVED BY</td> <td>DATE</td> </tr> <tr> <td>AKANESHIGE</td> <td>2009/02/18</td> <td>DOCUMENT NO. SD-560020-001</td> </tr> <tr> <td>MATERIAL NO.</td> <td colspan="2">SEE CHART</td> <td>SHEET NO. 3 OF 4</td> </tr> </tbody> </table>	DRAWN BY	DATE	TITLE	SHSHIBATA	2009/02/18	2.0MM PITCH W/B CONN. WAFER ASSY ST. SMT	CHKD BY	DATE	HKOMATSU	2009/02/18	molex	APPROVED BY	DATE	AKANESHIGE	2009/02/18	DOCUMENT NO. SD-560020-001	MATERIAL NO.	SEE CHART		SHEET NO. 3 OF 4	THIS DRAWING CONTAINS INFORMATION THAT IS PROPRIETARY TO MOLEX INCORPORATED AND SHOULD NOT BE USED WITHOUT WRITTEN PERMISSION		
			mm	INCH																																								
		4 PLACES	± ---	± ---																																								
3 PLACES	± ---	± ---																																										
2 PLACES	± ---	± ---																																										
1 PLACE	± ---	± ---																																										
0 PLACE	± ---	± ---																																										
DRAWN BY	DATE	TITLE																																										
SHSHIBATA	2009/02/18	2.0MM PITCH W/B CONN. WAFER ASSY ST. SMT																																										
CHKD BY	DATE																																											
HKOMATSU	2009/02/18	molex																																										
APPROVED BY	DATE																																											
AKANESHIGE	2009/02/18	DOCUMENT NO. SD-560020-001																																										
MATERIAL NO.	SEE CHART		SHEET NO. 3 OF 4																																									

	10	9	8	7	6	5	4	3	2	1				
F	Sn NATURAL	11.8	29.1	33.7	36.6	560020-1520	15	Au NATURAL	11.8	29.1	33.7	36.6	560020-1530	15
		11.8	27.1	31.7	34.6	560020-1420	14		11.8	27.1	31.7	34.6	560020-1430	14
		11.8	25.1	29.7	32.6	560020-1320	13		11.8	25.1	29.7	32.6	560020-1330	13
		11.8	23.1	27.7	30.6	560020-1220	12		11.8	23.1	27.7	30.6	560020-1230	12
		11.8	21.1	25.7	28.6	560020-1120	11		11.8	21.1	25.7	28.6	560020-1130	11
		11.8	19.1	23.7	26.6	560020-1020	10		11.8	19.1	23.7	26.6	560020-1030	10
		11.8	17.1	21.7	24.6	560020-0920	9		11.8	17.1	21.7	24.6	560020-0930	9
		11.8	15.1	19.7	22.6	560020-0800/-0820	8		11.8	15.1	19.7	22.6	560020-0830	8
		11.8	13.1	17.7	20.6	560020-0700/-0720	7		11.8	13.1	17.7	20.6	560020-0730	7
		11.8	12	15.7	18.6	560020-0600/-0620	6		11.8	12	15.7	18.6	560020-0630	6
		9.8	10	13.7	16.6	560020-0500/-0520	5		9.8	10	13.7	16.6	560020-0530	5
		7.8	8	11.7	14.6	560020-0400/-0420	4		7.8	8	11.7	14.6	560020-0430	4
5.8	6	9.7	12.6	560020-0300/-0320	3	5.8	6	9.7	12.6	560020-0330	3			
6.3	/	8.0	10.9	560020-0200/-0220	2	6.3	/	8.0	10.9	560020-0230	2			
PLATING	D	C	B	A	EMBOSSED PACKAGE ORDER NO.	CKTS	PLATING	D	C	B	A	EMBOSSED PACKAGE ORDER NO.	CKTS	
CONNECTOR SERIES NO. 560020-**08							CONNECTOR SERIES NO. 560020-**18							

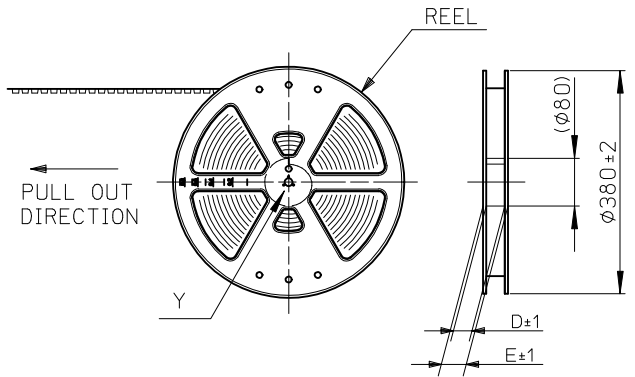
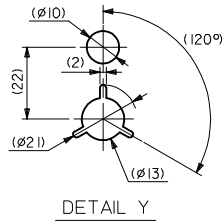
D	Sn BLACK	/	/	/	/	15	
		/	/	/	/	14	
		/	/	/	/	13	
		/	/	/	/	12	
		/	/	/	/	11	
		/	/	/	/	10	
		/	/	/	/	9	
		11.8	15.1	19.7	22.6	560020-0821	8
		/	/	/	/	7	
		11.8	12	15.7	18.6	560020-0621	6
		/	/	/	/	5	
		7.8	8	11.7	14.6	560020-0421	4
5.8	6	9.7	12.6	560020-0321	3		
6.3	/	8.0	10.9	560020-0221	2		
PLATING	D	C	B	A	EMBOSSED PACKAGE ORDER NO.	CKTS	
CONNECTOR SERIES NO. 560020-**28							

C	Sn RED	/	/	/	/	15	
		/	/	/	/	14	
		/	/	/	/	13	
		/	/	/	/	12	
		/	/	/	/	11	
		/	/	/	/	10	
		/	/	/	/	9	
		11.8	15.1	19.7	22.6	560020-0822	8
		/	/	/	/	7	
		11.8	12	15.7	18.6	560020-0622	6
		/	/	/	/	5	
		7.8	8	11.7	14.6	560020-0422	4
5.8	6	9.7	12.6	560020-0322	3		
6.3	/	8.0	10.9	560020-0222	2		
PLATING	D	C	B	A	EMBOSSED PACKAGE ORDER NO.	CKTS	
CONNECTOR SERIES NO. 560020-**48							

B	Sn BLUE	/	/	/	/	15	
		/	/	/	/	14	
		/	/	/	/	13	
		/	/	/	/	12	
		/	/	/	/	11	
		/	/	/	/	10	
		/	/	/	/	9	
		11.8	15.1	19.7	22.6	560020-0823	8
		/	/	/	/	7	
		11.8	12	15.7	18.6	560020-0623	6
		/	/	/	/	5	
		7.8	8	11.7	14.6	560020-0423	4
5.8	6	9.7	12.6	560020-0323	3		
6.3	/	8.0	10.9	560020-0223	2		
PLATING	D	C	B	A	EMBOSSED PACKAGE ORDER NO.	CKTS	
CONNECTOR SERIES NO. 560020-**68							

REVISED G	EC NO: JTR2016-0015	QUALITY SYMBOLS	GENERAL TOLERANCES (UNLESS SPECIFIED)	DIMENSION STYLE	SCALE	DESIGN UNITS	THIRD ANGLE PROJECTION
	DRINKNAGA 02 2016/03/01	$\nabla = 0$	mm INCH	MM ONLY	5:1	METRIC	
	CHKD:HKOMATSU 2016/03/04	$\nabla = 0$	4 PLACES ± --- ± ---	DRAWN BY DATE	TITLE		
	APPR: MAYAMOTO 2016/03/08	$\nabla = 0$	3 PLACES ± --- ± ---	SHSHIBATA 2009/02/18	2.0MM PITCH W/B CONN. WAFER ASSY ST. SMT		
			2 PLACES ± --- ± ---	CHECKED BY DATE	DOCUMENT NO.		
			1 PLACE ± --- ± ---	APPROVED BY DATE	SHEET NO.		
			0 PLACE ± --- ± ---	AKANESHIGE 2009/02/18	SD-560020-001		
			ANGULAR ± - °	MATERIAL NO.	4 OF 4		
			DRAFT WHERE APPLICABLE MUST REMAIN WITHIN DIMENSIONS	SEE CHART	THIS DRAWING CONTAINS INFORMATION THAT IS PROPRIETARY TO MOLEX INCORPORATED AND SHOULD NOT BE USED WITHOUT WRITTEN PERMISSION		

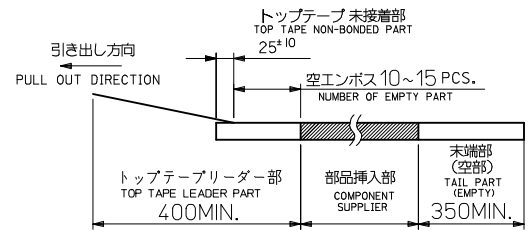
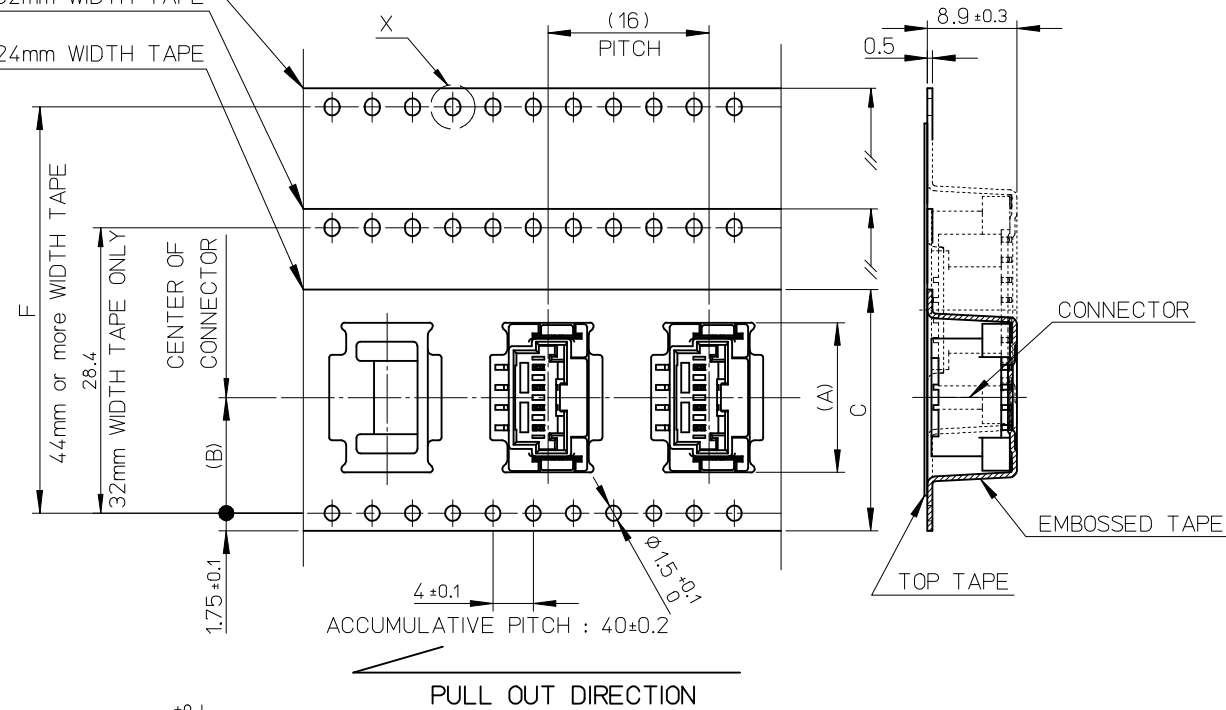
10 9 8 7 6 5 4 3 2 1



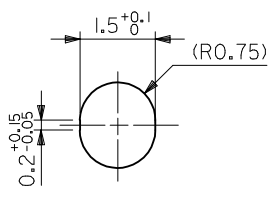
NOTES

- 製品番号:
 ナチュラル・錫めっき 560020-**20
 ナチュラル・金めっき 560020-**30
 黒・錫めっき 560020-**21
 赤・錫めっき 560020-**22
 青・錫めっき 560020-**23
 詳細寸法については、製品単体図面を参照ください。
 PART NO.
 NATURAL・Sn Plating 5600020-**20
 NATURAL・Au Plating 560020-**30
 BLACK・Sn Plating 5600020-**21
 RED・Sn Plating 5600020-**22
 BLUE・Sn Plating 5600020-**23
 SEE SALES DRAWING FOR CONNECTOR
- 梱包数量: 650個/REEL
 NUMBER OF CONNECTORS 650 PCS/REEL
- リードテープ長さ
 LEAD TAPE LENGTH

44mm or more
WIDTH TAPE
32mm WIDTH TAPE
24mm WIDTH TAPE



- 材料
 MATERIAL
 キャリアテープ: ポリスチレン
 CARRIER TAPE: POLYSTYRENE
 トップテープ: PET, PE, PEF
 TOP TAPE
 リール: ポリスチレン
 REEL: POLYSTYRENE
- 一般公差
 GENERAL TOLERANCES
 10 UNDER: 0.2
 10 OVER 30 UNDER: 0.25
 30 OVER: 0.3
 ANGULAR: ±1°



DETAIL X
(SCALE 10:1)

PULL OUT DIRECTION
DIRECTION OF CONNECTOR
IN EMBOSSED TAPE

REVISED EC NO: JTR2016-0015 DRWN:KINAGAI 2016/03/01 CHKD:HKOMATSU 2016/03/04 APPR: MAYAMAMOTO 2016/03/08	QUALITY SYMBOLS F ₁ = 0 F ₂ = 0 F ₃ = 0	GENERAL TOLERANCES (UNLESS SPECIFIED)		DIMENSION STYLE MM ONLY	SCALE 2:1	DESIGN UNITS METRIC	THIRD ANGLE PROJECTION				
		4 PLACES ± --- ± ---	3 PLACES ± --- ± ---	2 PLACES ± --- ± ---	1 PLACE ± --- ± ---	0 PLACE ± --- ± ---	ANGULAR ± - °	DRAFT WHERE APPLICABLE MUST REMAIN WITHIN DIMENSIONS	DRAWN BY YTAMAKI	DATE 2014/05/23	TITLE 2.0MM PITCH W/B ST. WAFER ASSY EMBOSSED TAPE PACKAGE
		mm	INCH	CHECKED BY HKOMATSU	DATE 2014/05/23	APPROVED BY MAYAMAMOTO	DATE 2014/06/30	MATERIAL NO. SEE CHART	DOCUMENT NO. SD-560020-003	SHEET NO. 1 OF 2	
		THIS DRAWING CONTAINS INFORMATION THAT IS PROPRIETARY TO MOLEX INCORPORATED AND SHOULD NOT BE USED WITHOUT WRITTEN PERMISSION									

9 8 7 6 5 4 3 2 1

	10					9					8					7					6					5					4					3					2					1																																																																																															
F	Sn NATURAL					52.4	61.4	57.4	56	26.2	36.9	560020-1520	15	Au NATURAL	52.4	61.4	57.4	56	26.2	36.9	560020-1530	15	Sn BLACK	40.4	49.4	45.4	44	20.2	34.9	560020-1420	14	Sn RED	40.4	49.4	45.4	44	20.2	32.9	560020-1320	13	Sn BLUE	40.4	49.4	45.4	44	20.2	30.9	560020-1220	12	Sn BLACK	28.4	37.4	33.4	32	14.2	28.9	560020-1120	11	Sn RED	28.4	37.4	33.4	32	14.2	26.9	560020-1020	10	Sn BLUE	28.4	37.4	33.4	32	14.2	24.9	560020-0920	09	Sn BLACK	29.4	25.4	24	11.5	22.9	560020-0820	08	Sn RED	29.4	25.4	24	11.5	22.9	560020-0720	07	Sn BLUE	29.4	25.4	24	11.5	20.9	560020-0620	06	Sn BLACK	29.4	25.4	24	11.5	18.9	560020-0520	05	Sn RED	29.4	25.4	24	11.5	16.9	560020-0420	04	Sn BLUE	29.4	25.4	24	11.5	14.9	560020-0320	03	Sn BLACK	29.4	25.4	24	11.5	12.9	560020-0220	02	Sn RED	29.4	25.4	24	11.5	11.2	560020-0120	01	Sn BLUE
E						PLATING	F	E	D	C	(B)	(A)	エンボス梱包品 製品番号 MATERIAL NO.		CIRCUITS	PLATING	F	E	D	C	(B)	(A)		エンボス梱包品 製品番号 MATERIAL NO.	CIRCUITS	PLATING	F	E	D	C	(B)		(A)	エンボス梱包品 製品番号 MATERIAL NO.	CIRCUITS	PLATING	F	E	D	C		(B)	(A)	エンボス梱包品 製品番号 MATERIAL NO.	CIRCUITS	PLATING	F	E	D		C	(B)	(A)	エンボス梱包品 製品番号 MATERIAL NO.	CIRCUITS																																																																																						

D	Sn BLACK					40.4	49.4	45.4	44	20.2	22.9	560020-0821	08	Sn RED	40.4	49.4	45.4	44	20.2	22.9	560020-0822	08	Sn BLUE	40.4	49.4	45.4	44	20.2	22.9	560020-0823	08	Sn BLACK	28.4	37.4	33.4	32	14.2	18.9	560020-0621	06	Sn RED	28.4	37.4	33.4	32	14.2	18.9	560020-0622	06	Sn BLUE	28.4	37.4	33.4	32	14.2	18.9	560020-0623	06	Sn BLACK	29.4	25.4	24	11.5	14.9	560020-0421	04	Sn RED	29.4	25.4	24	11.5	14.9	560020-0422	04	Sn BLUE	29.4	25.4	24	11.5	12.9	560020-0321	03	Sn BLACK	29.4	25.4	24	11.5	12.9	560020-0322	03	Sn RED	29.4	25.4	24	11.5	11.2	560020-0221	02	Sn BLUE
C						PLATING	F	E	D	C	(B)	(A)	エンボス梱包品 製品番号 MATERIAL NO.		CIRCUITS	PLATING	F	E	D	C	(B)	(A)		エンボス梱包品 製品番号 MATERIAL NO.	CIRCUITS	PLATING	F	E	D	C	(B)		(A)	エンボス梱包品 製品番号 MATERIAL NO.	CIRCUITS	PLATING	F	E	D	C		(B)	(A)	エンボス梱包品 製品番号 MATERIAL NO.	CIRCUITS	PLATING	F	E	D		C	(B)	(A)	エンボス梱包品 製品番号 MATERIAL NO.	CIRCUITS																																												

REVISED EC NO: JTR2016-0015 DRW:KINAGA I02 2016/03/01 CHKD:HKOMATSU 2016/03/04 APPR: MAYAMAMOTO 2016/03/08	DESCRIPTION	QUALITY SYMBOLS	GENERAL TOLERANCES (UNLESS SPECIFIED)	DIMENSION STYLE MM ONLY		SCALE 2:1	DESIGN UNITS METRIC	THIRD ANGLE PROJECTION			
		$\nabla = 0$		mm	INCH	DRAWN BY YTAMAKI		DATE 2014/05/23	TITLE 2.0MM PITCH W/B ST. WAFER ASSY EMBOSSED TAPE PACKAGE		
		$\nabla G = 0$		4 PLACES ± --- ± ---		DATE		APPROVED BY MAYAMAMOTO			
$\nabla P = 0$	3 PLACES ± --- ± ---		DATE		MATERIAL NO.		DOCUMENT NO.		SHEET NO.		
DRAFT WHERE APPLICABLE MUST REMAIN WITHIN DIMENSIONS		ANGULAR ± - °		SEE CHART		SD-560020-003		2 OF 2		THIS DRAWING CONTAINS INFORMATION THAT IS PROPRIETARY TO MOLEX INCORPORATED AND SHOULD NOT BE USED WITHOUT WRITTEN PERMISSION	