



2.0x1.2mm for Consumer/ Mobile Equipment



RoHS Compliant

Features

- Ultra Small, Low Profile
- Ceramic Package
- Reflow Compatible

Applications

- Consumer/ Mobile Equipment

How to Order

ST2012SB 32768 □□ □ □ □ □ □ □

① Series

② Frequency
32.768kHz

③ Load Capacitance

④ Frequency Tolerance

H5	12.5 pF	Std.
E0	9.0 pF	
C0	7.0 pF	
B0	6.0 pF	
A0	5.0 pF	
Z0	4.0 pF	

H	±20×10 ⁻⁶
----------	----------------------

⑤ Operating Temp. Range

⑥ Frequency Temp. Stability

P	-40 to +85°C
----------	--------------

W	±200×10 ⁻⁶
----------	-----------------------

⑦ Individual Specification

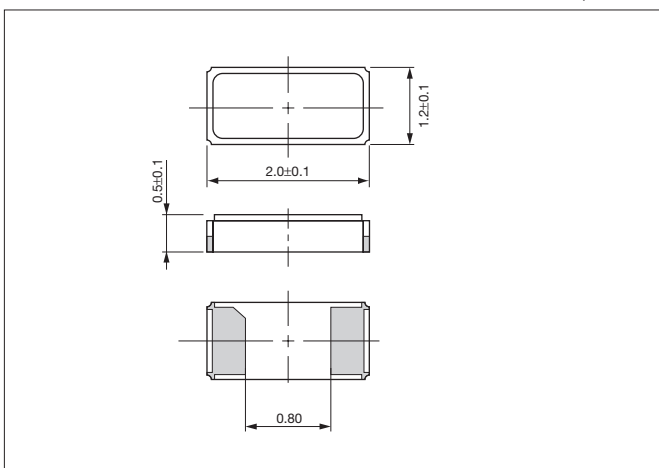
Packaging (Tape & Reel 3000/ 12000 pcs./ reel)

Specifications

Item	Symbol	Specification	Units	Remarks
Nominal Frequency	f _{nom}	32.768	kHz	
Frequency Tolerance	f _{tol}	±20	×10 ⁻⁶	25°C±3°C
Turnover Temperature	T _i	+25±5	°C	
Parabolic Coefficient	B	-0.04 max.	×10 ⁻⁶ / °C ²	
Motional Resistance	R ₁	80 max.	k-ohm	
Motional Capacitance	C ₁	5.8 typ.	fF	
Shunt Capacitance	C ₀	1.3 typ.	pF	
Load Capacitance	CL	4.0/ 5.0/ 6.0/ 7.0/ 9.0/ 12.5	pF	Please contact us
Drive Level	DL	0.1	μW	0.5 max.
Operating Temp. Range	T _{use}	-40 to +85	°C	
Storage Temp. Range	T _{stg}	-40 to +85	°C	
Frequency Aging	f _{age}	±3	×10 ⁻⁶	

Dimensions

(Unit: mm)



Recommended Land Pattern

(Unit: mm)

