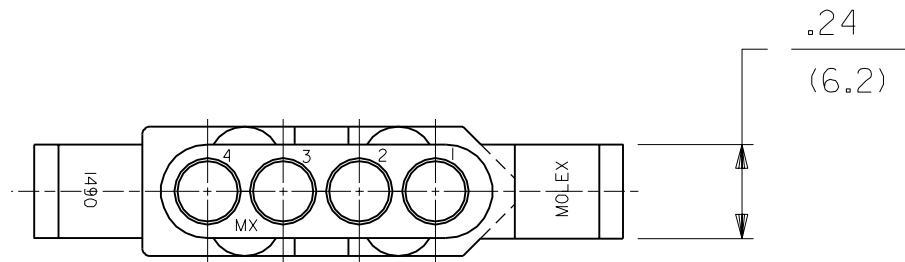
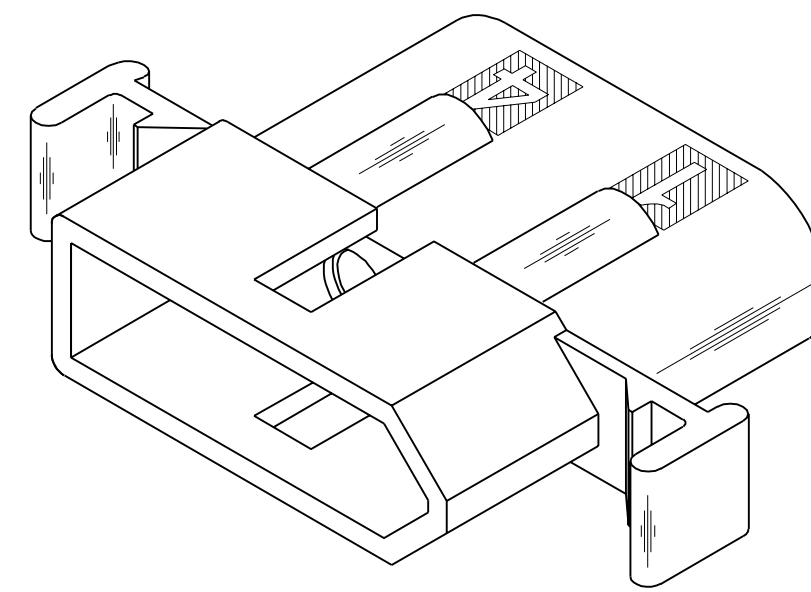
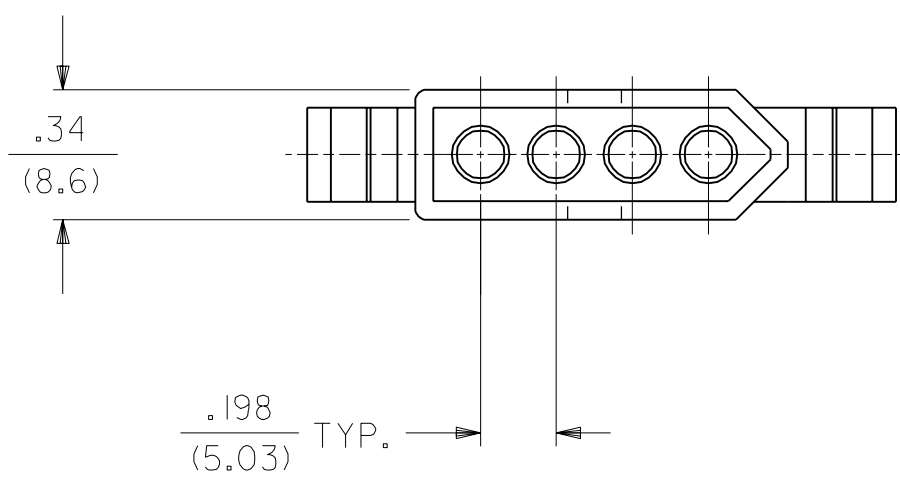
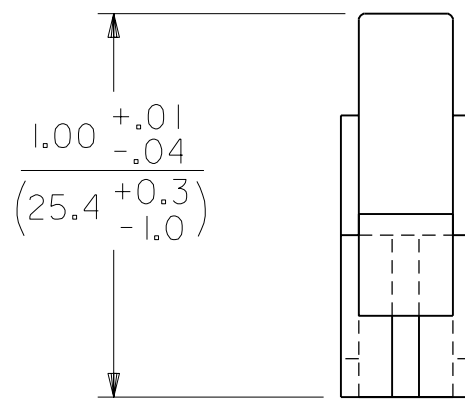
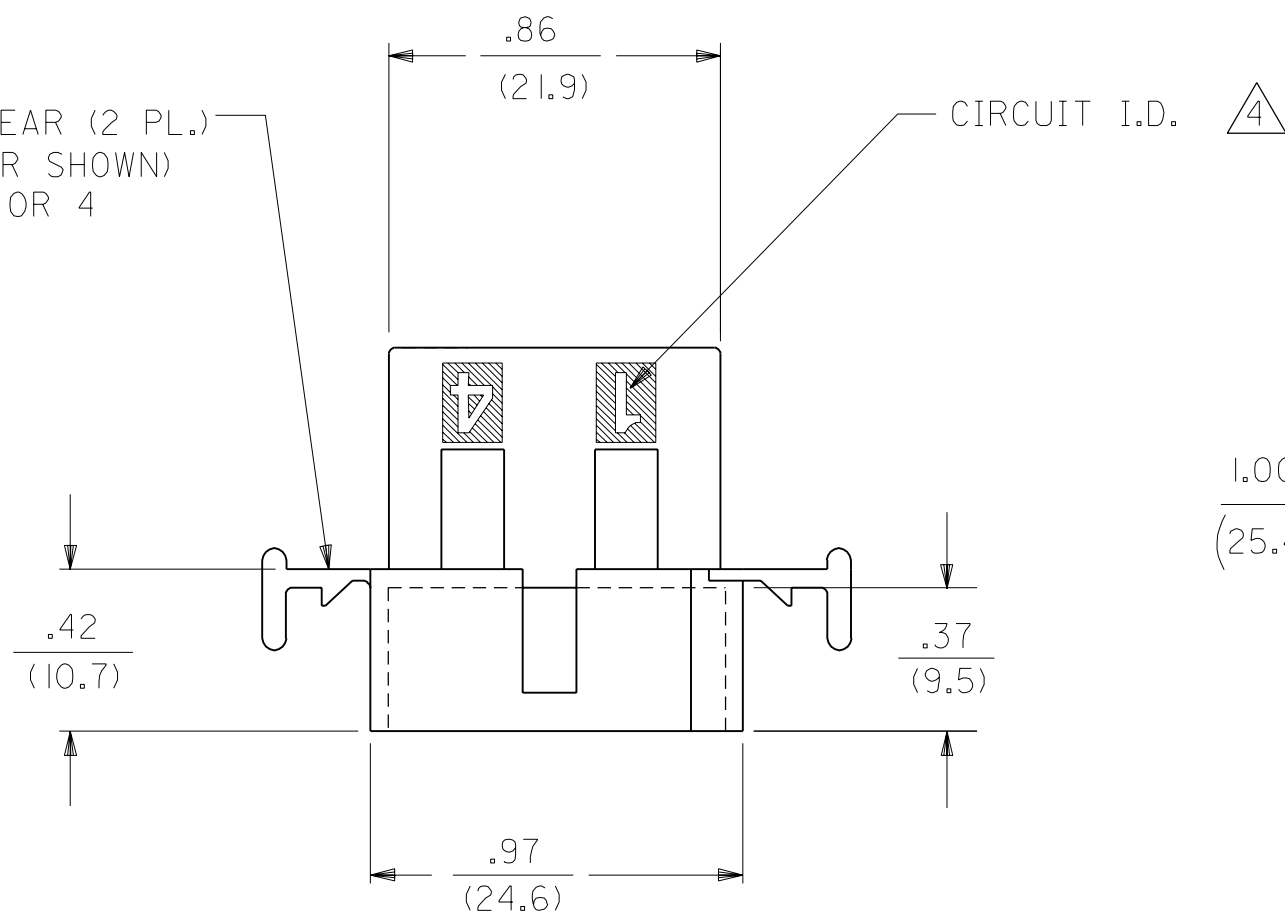


PLUG



OPTIONAL MOUNTING EAR (2 PL.)  
(STD. MOUNTING EAR SHOWN)  
SEE DETAIL 3 OR 4



PLUG HOUSING

T	ADD -PIBU VERSION PER ECN #U3 1537 10-21-93 RW
S	REVISE PER ECR U1 1686 8/9/91 RW
RI	ADD EDP'S & REVISE SUFFIXES, ECR U10834 4/24/91 RW
R	REV. LENGTH TOL. ECN #U1 0685 3-22-91 RW
P	REV. & REDRAWN, ECR U8 1139 3-8-88 RW

T	3	T
T	2	T
T	1	T
MFG.	SH.	REV.
LTR.	REVISIONS	

DIMENSIONS SHOWN (METRIC) INCH  
UNLESS OTHERWISE SPECIFIED TOLERANCES: ANGULAR  $\pm 10^\circ$

	INCH	METRIC
3 PLACE	$\pm .010$	---
2 PLACE	$\pm .014$	$\pm 0.25$
1 PLACE	---	$\pm 0.35$

DRAFT WHERE APPLICABLE MUST REMAIN WITHIN DIMENSIONS

DRWG. BY: GEP CHK'D. BY: RW  
APP'D. BY: RAS SCALE: 2 : 1

TITLE: .093/(2.36) HOUSING, PLUG AND RECEPTACLE, 4 CKT., .198/(5.03) CTRS.

MOLEX INCORPORATED, LISLE, ILL. 60532 U.S.A.

PART NO. SD-1490-1 DRWG. NO. SD-1490-\*

SEE CHART

SHEET NO. 1 OF 3 DATE 3/9/88

THIS DRAWING CONTAINS INFORMATION THAT IS PROPRIETARY TO MOLEX INC. AND SHOULD NOT BE USED WITHOUT WRITTEN PERMISSION

DIV. CP SIZE C

PLUG	
PART NO.	ENG. NO.
03-09-2041	I490-P
03-09-2042	I490-PI
03-09-7041	I490-PBK
03-09-7042	I490-PIBK
PRELIMINARY	I490-P2
03-09-3042	I490-PIBU

RECEPTACLE	
PART NO.	ENG. NO.
03-09-1041	I490-R
03-09-1042	I490-R1
03-09-6041	I490-RBK
03-09-6042	I490-RIBK
03-09-1043	I490-R2
03-09-6043	I490-RBU
03-09-6045	I490-RGN

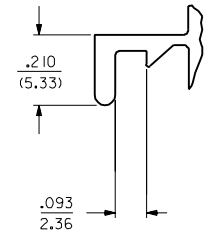
**LEGEND:**

I490-\*\*\*-\*

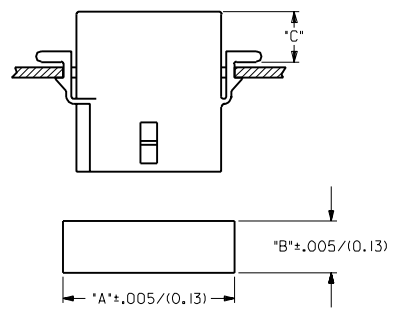
P = PLUG  
R = RECEPTACLE

BLANK = WITH STANDARD EARS  
1 = WITHOUT EARS  
2 = WITH PREBENT EARS, PER DETAIL 4

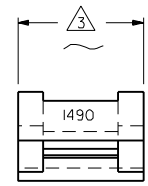
COLOR: BLANK=NATURAL COLOR  
AM=AMBER BK=BLACK BU=BLUE  
BN=BROWN CY=GRAY GN=GREEN  
OR=ORANGE RD=RED YW=YELLOW  
BLANK = MATERIAL CODE A



**DETAIL 3**  
.093/(2.36) STANDARD MOUNTING EAR  
(SCALE 4:1)



HOUSING	DIM. "A"	DIM. "B"	DIM. "C"
PLUG	1.131/(28.73)	.375/(9.52)	.36/(9.1)
RECEPTACLE	1.038/(26.36)	.312/(7.92)	.37/(9.4)



**DETAIL 4**  
.093/(2.36) PREBENT MOUNTING EAR  
(SCALE 4:1)

**NOTES:**

- MATERIAL CODES:  
A = NYLON 6/6, 94V-2
- THIS PART COMPLIES WITH MOLEX PRODUCT SPEC. 02-09.
- FOR DIMENSION SEE SHEET 1 AND 2.
- CIRCUIT I.D. NUMBERS ON HOUSING APPEAR ON PARTS FROM TOOLS BUILT AFTER 8/7/91.

DIMENSIONS SHOWN METRIC (INCH)		UNLESS OTHERWISE SPECIFIED TOLERANCES ANGULAR ± .04° TO		REVISIONS ONLY ON CAD SYSTEM	
INCH	METRIC				
3 PLACE ± .010	---				
2 PLACE ± .014	± 0.25				
1 PLACE ---	± 0.35				
DRAFT WHERE APPLICABLE MUST REMAIN WITHIN DIMENSIONS					
DRW: RAS	CHKD: RW	FILE NAME: SD I490X3.DWG	THIS DRAWING CONTAINS INFORMATION THAT IS PROPRIETARY TO MOLEX INC. AND SHOULD NOT BE USED WITHOUT WRITTEN PERMISSION.		
APP'D: RAS	SCALE: 2 : 1	SEE CHART		DRWG. NO. SD-I490-	SIZE: CP C

TITLE: .093/(2.36) HOUSINGS, PLUG AND RECEPTACLE, 4 CKT. ± .198/(5.03) CTRS.  
PART NO. MOLEX INCORPORATED  
L1S1EJLL 60532 U.S.A.  
SHEET NO. 3 DATE 3/10/88