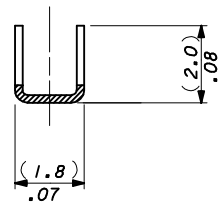
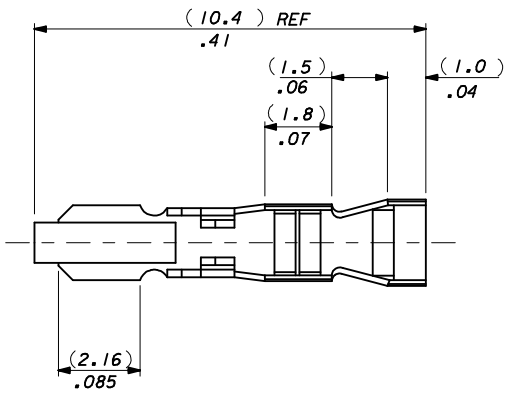


NOTES:

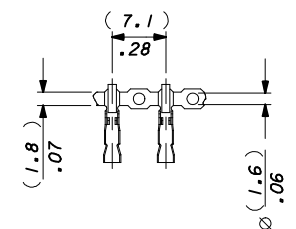
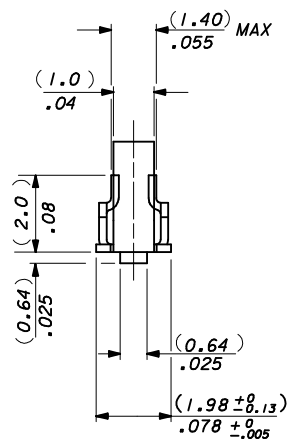
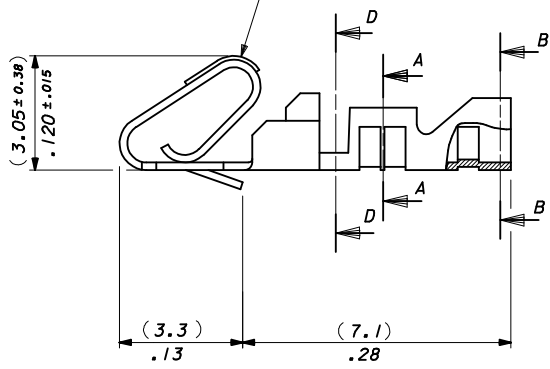
1. MATERIAL: (0.21)/.008 THICK BRASS.
2. FINISH: SEE SHEET 2.
3. THIS PART CONFORMS TO PRODUCT SPEC. 99020-0088.
4. TERMINAL MUST MEET BEND SPEC. SDES-219.
5. SUITABLE FOR 22-30 GA. WIRE, (1.57)/.062 MAX. INSULATION.
6. THIS PART CONFORMS TO CLASS B REQUIREMENTS OF COSMETIC SPECIFICATION PS-45499-002.



SECTION D-D
(4809-1T ONLY)



SELECTIVE PLATING AREA,
SEE CHART

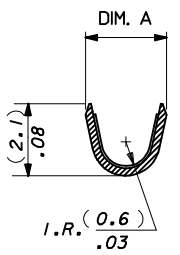


CARRIER STRIP DETAIL
SCALE 2:1

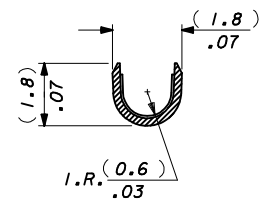
4809-(*)** *

- BLANK : DIM. A = (2.1) / 1.083 REF.
- M: DIM A = (2.2) / .087 REF.
- BLANK=CHAIN FORM TOP FEEDING REEL
- L=LOOSE FORM

PLATING CODE



SECTION B-B



SECTION A-A

SELECT GOLD AREA EC NO: UCP2013-5411 DRAWN: KIPPER CHKD: J.BELL APPR: F.S.MITH	2013/06/14 2013/06/17 2013/06/28	DESCRIPTION	QUALITY SYMBOLS	GENERAL TOLERANCES (UNLESS SPECIFIED)		DIMENSION STYLE	SCALE	DESIGN UNITS	THIRD ANGLE PROJECTION
				mm	INCH	MM/IN	10:1	METRIC	
AN	REV		▽=0	4 PLACES ± ---	± ---	DRAWN BY	DATE	TITLE ANTI-FISH HOOKING TERMINAL KK.(2.50)/.100	
				3 PLACES ± ---	± .010	MCC	1986/07/30		
				2 PLACES ± 0.25	± .014	CHECKED BY	DATE		
				1 PLACE ± 0.35	± ---	DMORIARTY	2004/10/18		
				0 PLACE ±	±	APPROVED BY	DATE		
				ANGULAR ± ---°		MATERIAL NO.	DOCUMENT NO.	SHEET NO.	
DRAFT WHERE APPLICABLE MUST REMAIN WITHIN DIMENSIONS				SEE CHART		SD-4809-*		1 OF 2	
THIS DRAWING CONTAINS INFORMATION THAT IS PROPRIETARY TO MOLEX INCORPORATED AND SHOULD NOT BE USED WITHOUT WRITTEN PERMISSION									

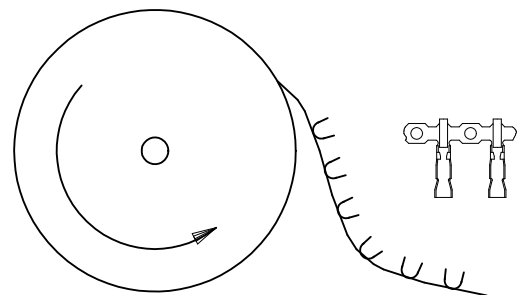
FINISH NOTES*

(550) GOLD PLATE (0.00038)/.000015 MIN. OVER (0.00076)/.000030 MIN. NICKEL

IN CONTACT AREA WITH (0.00005)/.000002 MIN. GOLD FLASH OVERALL.

(555) SELECTIVE GOLD (0.00038)/.000015 MIN. OVER (0.00076)/.000030 MIN. NICKEL IN CONTACT AREA ONLY.

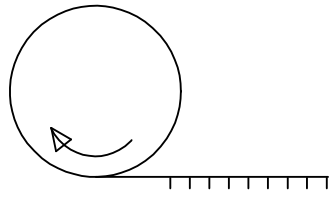
(P918) HOT TIN DIP (0.00102-0.00305)/.000040-.000120



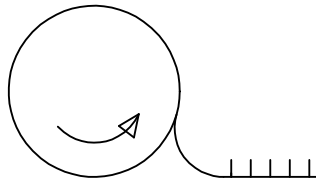
TERMINALS FEEDING FROM THE TOP OF THE REEL ARE STANDARD WOUND

08-55-0110	4809-(555)	CHAIN	(555)	(2.45 - 1.75)/ .096 - .069
08-55-0111	↑ -(555)L	LOOSE		
08-56-0120	-(550)	CHAIN	(550)	(2.45 - 1.75)/ .096 - .069
08-56-0115	↓ -(550)L	LOOSE		
08-50-0135	↓ -(P918)	CHAIN	(P918)	(2.45 - 1.75)/ .096 - .069
08-50-0136	4809 - (P918) L	LOOSE		
PART No	ENG No	FORM	FINISH	DIM . A
TOP FEEDING REELS ONLY				

CORRECT PLATING EC NO: UCP2011-2131 DRWNCSTEWART 2011/01/18 CHKD:HKIPPER 2011/01/26 APPR:FSMLTH 2011/02/04	QUALITY SYMBOLS	GENERAL TOLERANCES (UNLESS SPECIFIED)	DIMENSION STYLE	SCALE	DESIGN UNITS	THIRD ANGLE PROJECTION	
	▽=0	mm INCH	MM/IN	NTS	METRIC		
	▽=0	4 PLACES ± --- ± ---	DRAWN BY DATE	MCC 1986/07/30	TITLE		ANTI-FISH HOOKING
	▽=0	3 PLACES ± --- ±.010	CHECKED BY DATE	DMORIART 2004/10/18	TERMINAL KK,(2.50)/.100		
	2 PLACES ± 0.25 ±.014	APPROVED BY DATE	JDENNEHY 2004/10/19	MATERIAL NO.		MOLEX INCORPORATED	
	1 PLACE ± 0.35 ± ---			DOCUMENT NO.		SD-4809-*	
	ANGULAR ± ---°	DRAFT WHERE APPLICABLE MUST REMAIN WITHIN DIMENSIONS	SEE CHART	SHEET NO.		2 OF 2	
AM	REV		SIZE	THIS DRAWING CONTAINS INFORMATION THAT IS PROPRIETARY TO MOLEX INCORPORATED AND SHOULD NOT BE USED WITHOUT WRITTEN PERMISSION			



'A' WINDING REEL
PER ES 339



'B' WINDING REEL
PER ES 339

4809C-(*) * *

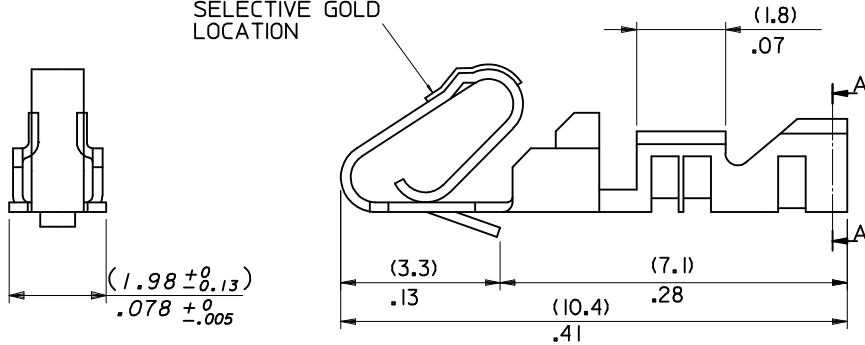
INSULATION CRIMP WIDTH
BLANK: DIM. A = (2.1)/.083 REF.
M: DIM. A = (2.2)/.087 REF.

PLATING CODE

FORM:

BLANK = CHAIN FORM, TOP FEEDING REEL
L = LOOSE FORM
BF = CHAIN FORM, BOTTOM FEEDING REEL

SELECTIVE GOLD LOCATION

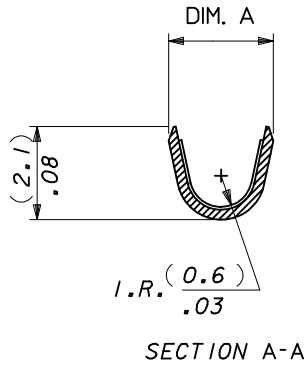


97-00-0001	4809C-(P918)BF	CHAIN	(P918)	(2.45-1.75)/.096-.069
PART No	ENG No	FORM	FINISH (SEE NOTE-2)	DIM . A
'A' WINDING PER E.S. 339				

08-55-0112	4809C-(555)	CHAIN	(555)	(2.45-1.75)/.096-.069
08-50-0030	4809C-(P918)M	CHAIN	(P918)	(2.35-2.05)/.093-.081
08-50-0031	4809C-(P918)	CHAIN	(P918)	(2.45-1.75)/.096-.069
08-50-0032	4809C-(P918)L	LOOSE	(P918)	(2.45-1.75)/.096-.069
PART No	ENG No	FORM	FINISH (SEE NOTE-2)	DIM . A
'B' WINDING PER E.S. 339 (CHAIN ONLY)				

NOTES:

- MATERIAL (0.20±0.01)/.008±.0004 THICK BRASS.
- FINISH: (555) - SELECTIVE GOLD (0.00038)//0.000015 MIN., OVERALL NICKEL (0.00076)/0.000030 MIN.
(P918) - HOT TIN DIP: (0.00102-0.00305)//.000040-.000120
- THIS PART CONFORMS TO MOLEX PRODUCT SPEC. PS-99020-0088.
- SAME AS SD-4809-* EXCEPT WITH CAT EARS.
- FOR 22-30 GAUGE WIRE & (1.57)/.062 DIA. INSULATION MAX.
- THIS PART CONFORMS TO CLASS B REQUIREMENTS OF COSMETIC SPECIFICATION PS-45499-002.



SELECT GOLD AREA EC NO: UCP2013-5411 DRW: HKIPPER 2013/06/14 CHKD: JBEL 2013/06/17 APPR: F SMITH 2013/06/28	DESCRIPTION REV	QUALITY SYMBOLS	GENERAL TOLERANCES (UNLESS SPECIFIED)	DIMENSION STYLE	SCALE	DESIGN UNITS	THIRD ANGLE PROJECTION		
		$\nabla=0$ $\nabla=0$ $\nabla=0$	mm INCH 4 PLACES ± --- ± --- 3 PLACES ± --- ± .010 2 PLACES ± 0.25 ± .020 1 PLACE ± 0.51 ± --- 0 PLACE ± ±	MM/IN DRAWN BY DATE AOD 1999/02/20 CHECKED BY DATE DMOR IARTY 2004/10/18 APPROVED BY DATE J DENNEHY 2004/10/19	NTS TITLE ANTI FISH HOOKING TERMINAL KK,(2.50)/.100 WITH CAT EARS	METRIC	MATERIAL NO. SEE CHART	DOCUMENT NO. SD-4809C-****	SHEET NO. 1 OF 1
		ANGULAR ± --- °	DRAFT WHERE APPLICABLE MUST REMAIN WITHIN DIMENSIONS	SIZE B	THIS DRAWING CONTAINS INFORMATION THAT IS PROPRIETARY TO MOLEX INCORPORATED AND SHOULD NOT BE USED WITHOUT WRITTEN PERMISSION				
									MOLEX