

PART NUMBER: 135HC6700K2EM8

Conduction Cooled (High Density Resonant)

Parts are RoHS compliant

ELECTRICAL SPECIFICATIONS

Capacitance: 1.33 μ F

AC Current: 950 A

ESR: 0.3 milliohms at 100 kHz and 20°C

Self Inductance: 5 Nanohenries maximum

Tolerance: -10 % , +10 %

Temperature Range: -40°C to +85°C

Maximum Core Temperature: 85°C

Resonant Frequency: 148-179 kHz

Maximum power (KVAR): 600

VAC: 700 Volts AC

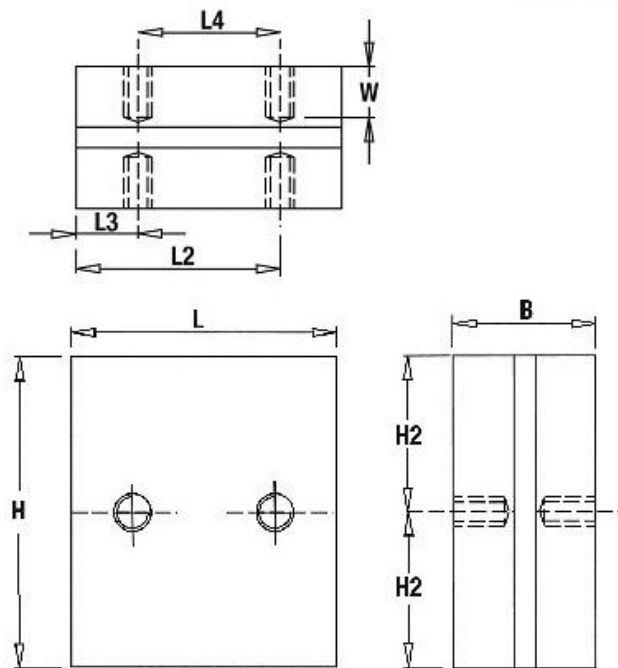
PHYSICAL DIMENSIONS

Length (L): 56 mm, 0.5 mm

Height (H): 66 mm, +/-0.1 mm

Thickness (B): 30.2 mm, +/-0.1 mm

LEAD STYLE: 2EM8



L	H	B	W	L2	L3
56+0.5	66+0.5	30.2+0.1	9	43	13
Mounting holes: M8 full thread with SS heli					
Tightening torque: 15Nm MAX					