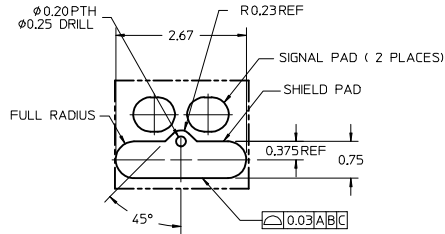
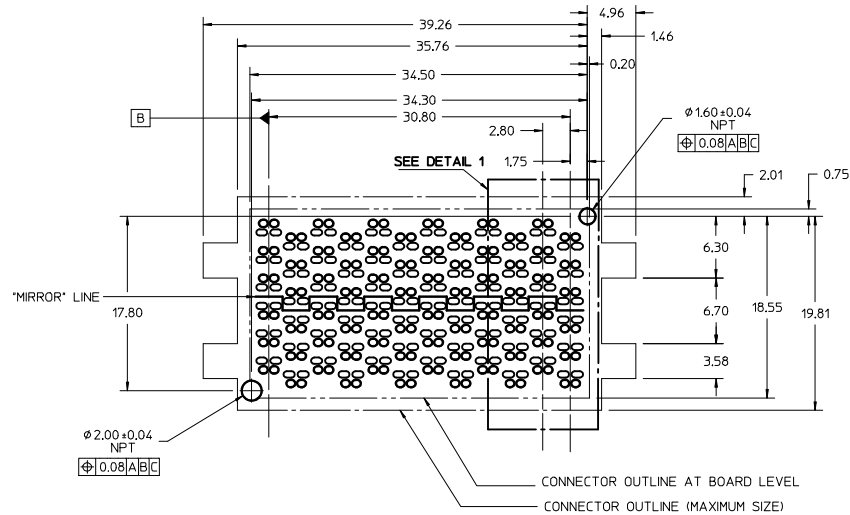
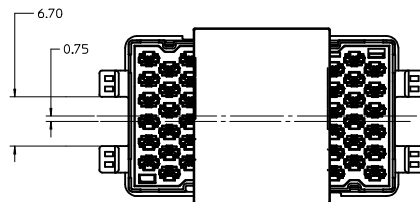
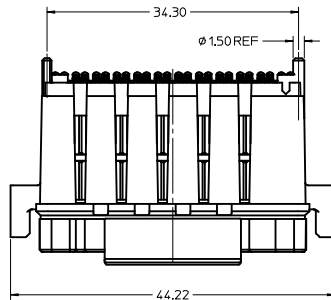


- NOTES:
- HOUSING MATERIAL: LCP, GLASS FILLED, UL 94V-0, BLACK  
CONTACT MATERIAL: HIGH PERFORMANCE COPPER ALLOY  
SOLDER CHARGE: LEAD FREE SOLDER ALLOY
  - FINISH:  
CONTACTS: SELECTIVE GOLD: 30 MNCHES MIN ON CONTACT AREA,  
SELECTIVE TIN : 100 MNCHES MIN ON SOLDERABLE PORTION  
OF SOLDER TAILS; OVER 50 MNCHES MIN NICKEL OVERALL.
  - PRODUCT SPECIFICATION: PS-170807-0001
  - PACKAGING SPECIFICATION: PK-170807-002
  - APPLICATION SPECIFICATION: AS-170807-0001



DETAIL 4  
SCALE 20:1

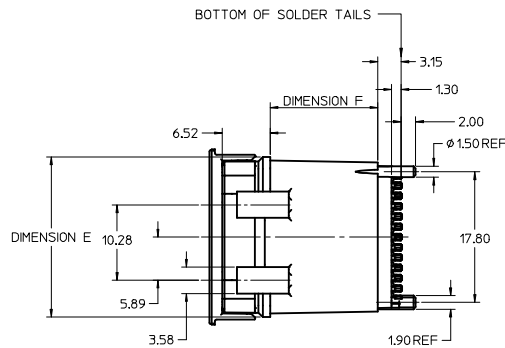
(SOLDER MASK REMOVED TO REVEAL SHIELD TRACE)



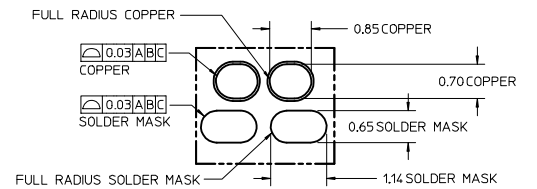
FOOT PRINT  
(SCALE 4:1)

FOOT PRINT NOTES:

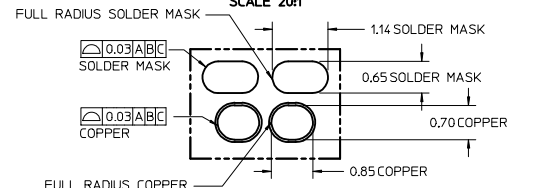
- DATUM -A- IS THE TOP OF THE PCB.
- ALL DIMENSIONS ARE BASICS.
- SEE APPLICATION SPECIFICATION FOR ADDITIONAL INFORMATION.



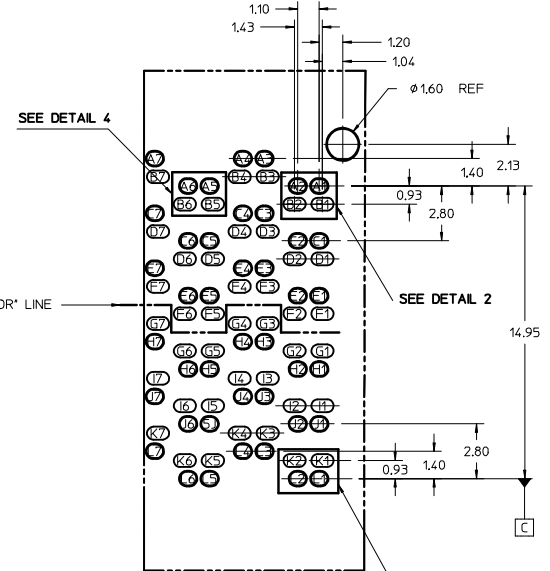
PART ILLUSTRATED IS 170807-2016



DETAIL 2  
SCALE 20:1



DETAIL 3  
SCALE 20:1

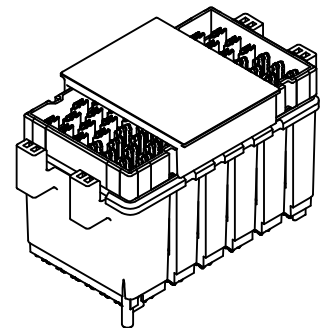


DETAIL 1  
SCALE 8:1

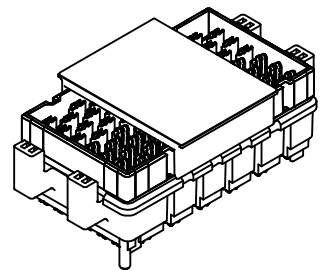
(NUMBERING SCHEME SHOWN)

<b>ADD OPTION</b> IEC NO. UCF2016-4880 DRAWN/LESSIECHUA 2016/07/07 CHECKED/DMCGOWAN 2016/07/07 APPR/DMCGOWAN 2016/07/11	QUALITY SYMBOLS	GENERAL TOLERANCES (UNLESS SPECIFIED)	DIMENSION STYLE	SCALE	DESIGN UNITS	THIRD ANGLE PROJECTION
	▽=0	mm INCH	MM ONLY	3:1	METRIC	☉
	▽=0	4 PLACES ± --- ± ---	DRAWN BY DATE	TITLE		
	▽=0	3 PLACES ± --- ± ---	HCGOH 2013/12/30	PLUG 6X12 NEOSCALE		
	2 PLACES ± 0.15 ± ---	CHECKED BY DATE	MATERIAL NO. DOCUMENT NO.			SHEET NO.
	1 PLACE ± --- ± ---	KPELOZA 2013/12/30	SEE CHART			SD-170807-2016 1 OF 2
	0 PLACE ± --- ± ---	APPROVED BY DATE	SIZE			
	ANGULAR ±1/2°	SHONG 2014/01/27	D THIS DRAWING CONTAINS INFORMATION THAT IS PROPRIETARY TO MOLEX INCORPORATED AND SHOULD NOT BE USED WITHOUT WRITTEN PERMISSION			
	DRAFT WHERE APPLICABLE MUST REMAIN WITHIN DIMENSIONS					

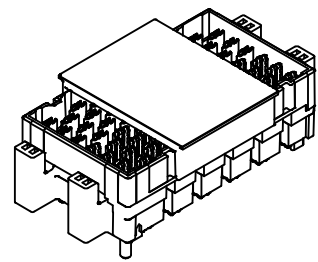
MATERIAL NUMBER	HEIGHT	TRIAD TYPE AND COUNT			DIM E	DIM F	DIM J	MATE WITH
		85 OHMS	100 OHMS	POWER				
1708072016	22.00MM	N/A	72 PLACES	N/A	21.82	14.69	26.11	1708142016 (8MM), 1708142008 (18MM), 1708142025 (15MM)
1708070034	22.00MM	72 PLACES	N/A	N/A	21.82	14.69	26.11	1708140034 (18MM)
1708072008	12.00MM	N/A	72 PLACES	N/A	21.82	4.69	16.11	1708142016 (8MM) & 1708142008 (18MM)
1708072020	8.00MM	N/A	72 PLACES	N/A	20.65	N/A	12.11	1708142016 (8MM) & 1708142008 (18MM)
1708070046	12.00MM	72 PLACES	N/A	N/A	21.82	4.69	16.11	1708140034 (18MM)
1708072027	10.00MM	N/A	72 PLACES	N/A	20.65	N/A	14.11	1708142008 (18MM)



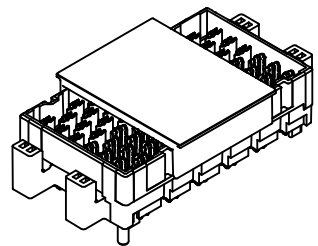
170807-2016/-0034



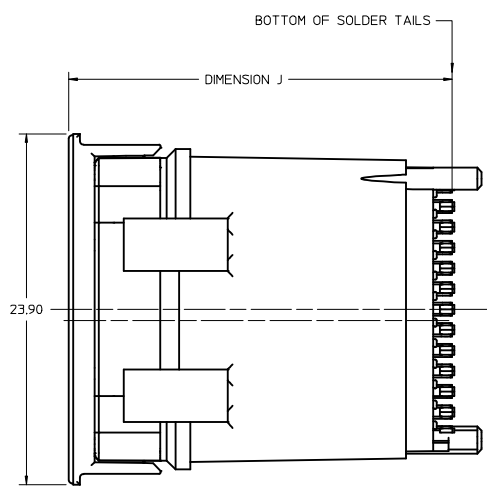
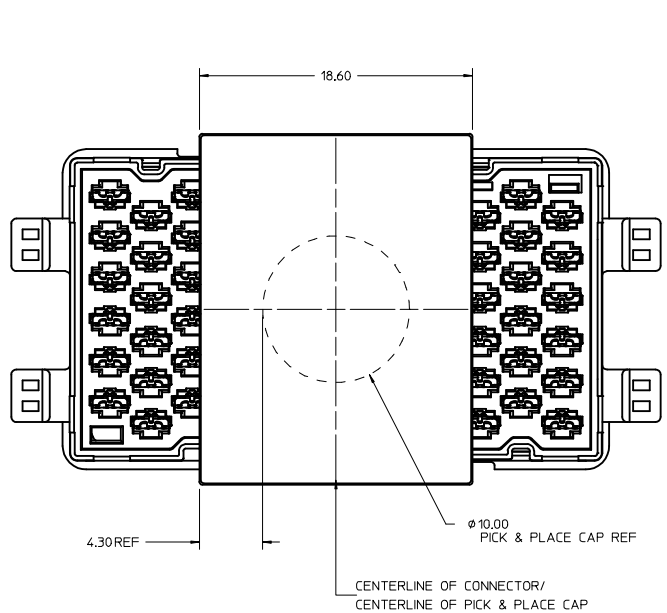
170807-2008/-0046



170807-2027



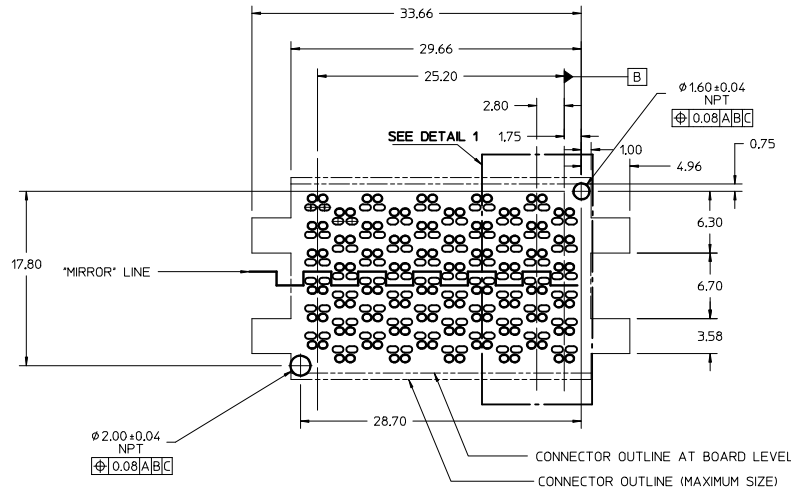
170807-2020



PART ILLUSTRATED IS 170807-2016

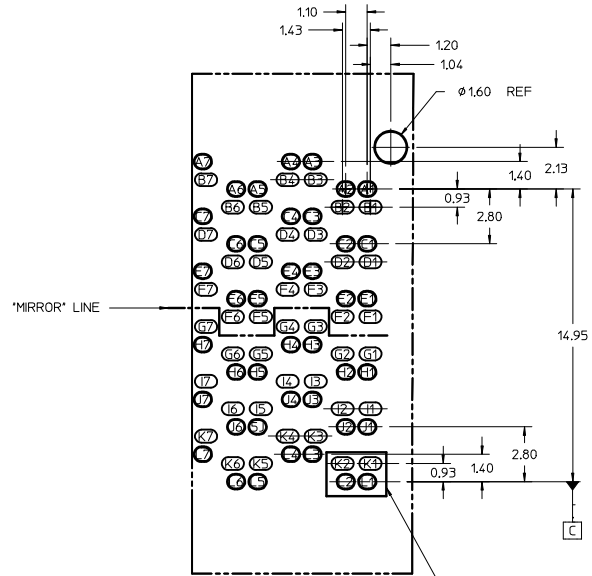
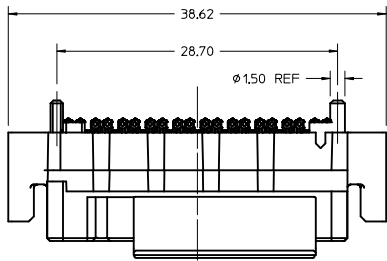
<b>SEE SHEET 1</b> IEC NO: UCP2016-4880 DRAWN BY: JESSIE CHUA 2016/07/07 CHECKED BY: CHYKONG GOWAN 2016/07/07 APPROVED BY: DMCGOWAN 2016/07/11	QUALITY SYMBOLS	GENERAL TOLERANCES (UNLESS SPECIFIED)	DIMENSION STYLE	SCALE	DESIGN UNITS	THIRD ANGLE PROJECTION																		
	$\nabla=0$ $\nabla=0$ $\nabla=0$	<table border="1"> <thead> <tr> <th></th> <th>mm</th> <th>INCH</th> </tr> </thead> <tbody> <tr> <td>4 PLACES</td> <td>±---</td> <td>±---</td> </tr> <tr> <td>3 PLACES</td> <td>±---</td> <td>±---</td> </tr> <tr> <td>2 PLACES</td> <td>±0.15</td> <td>±---</td> </tr> <tr> <td>1 PLACE</td> <td>±---</td> <td>±---</td> </tr> <tr> <td>0 PLACE</td> <td>±---</td> <td>±---</td> </tr> </tbody> </table>		mm	INCH	4 PLACES	±---	±---	3 PLACES	±---	±---	2 PLACES	±0.15	±---	1 PLACE	±---	±---	0 PLACE	±---	±---	MM ONLY	6:1	METRIC	
		mm	INCH																					
	4 PLACES	±---	±---																					
3 PLACES	±---	±---																						
2 PLACES	±0.15	±---																						
1 PLACE	±---	±---																						
0 PLACE	±---	±---																						
DESCRIPTION	ANGULAR ±1/2° DRAFT WHERE APPLICABLE MUST REMAIN WITHIN DIMENSIONS	DRAWN BY: HCGOH CHECKED BY: KPULOZA APPROVED BY: SHONG	DATE: 2013/12/30 DATE: 2013/12/30 DATE: 2014/01/27	TITLE: <b>PLUG 6X12 NEOSCALE</b> 																				
REV			MATERIAL NO.	DOCUMENT NO.	SHEET NO.																			
			<b>SEE SHEET 1</b>	<b>SD-170807-2016</b>	<b>2 OF 2</b>																			
			THIS DRAWING CONTAINS INFORMATION THAT IS PROPRIETARY TO MOLEX INCORPORATED AND SHOULD NOT BE USED WITHOUT WRITTEN PERMISSION																					

- NOTES:
- HOUSING MATERIAL: LCP, GLASS FILLED, UL 94V-0, BLACK  
CONTACT MATERIAL: HIGH PERFORMANCE COPPER ALLOY  
SOLDER CHARGE: LEAD FREE SOLDER ALLOY
  - FINISH:  
CONTACTS: SELECTIVE GOLD: 30 MICRONS MIN ON CONTACT AREA,  
SELECTIVE TIN : 100 MICRONS MIN ON SOLDERABLE PORTION  
OF SOLDER TAILS; OVER 50 MICRONS MIN NICKEL OVERALL.
  - PRODUCT SPECIFICATION: PS-170807-0001
  - PACKAGING SPECIFICATION: PK-170807-002
  - APPLICATION SPECIFICATION: AS-170807-0001

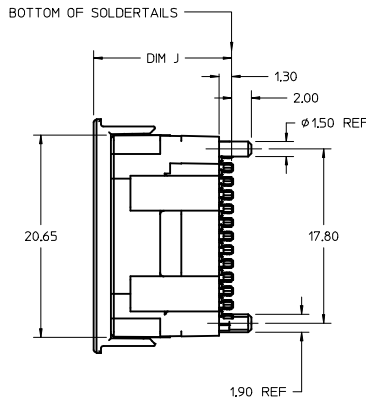
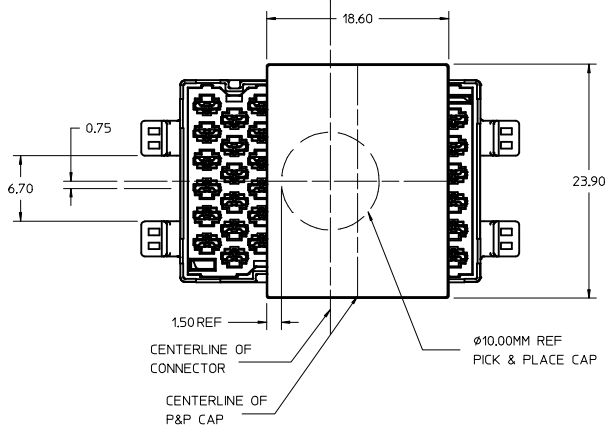


FOOT PRINT  
(SCALE 4:1)

- FOOT PRINT NOTES:
- DATUM -A- IS THE TOP OF THE PCB.
  - ALL DIMENSIONS ARE BASICS.
  - SEE APPLICATION SPECIFICATION FOR ADDITIONAL INFORMATION.



DETAIL 1  
SCALE 8:1  
(NUMBERING SCHEME SHOWN)



PART SHOWN IS 170807-2026

<b>PROPOSAL</b> IEC NO. UICP2016-4775 DRAWN BY JESSIECHUA 2016/06/15 CHECKED BY CHYKHG04 2016/06/15 APPR:DMCGOWAN 2016/07/11 REV DESCRIPTION	QUALITY SYMBOLS ▽=0 ▽=0 ▽=0		GENERAL TOLERANCES (UNLESS SPECIFIED) <table border="1"> <thead> <tr> <th></th> <th>mm</th> <th>INCH</th> </tr> </thead> <tbody> <tr> <td>4 PLACES</td> <td>±---</td> <td>±---</td> </tr> <tr> <td>3 PLACES</td> <td>±---</td> <td>±---</td> </tr> <tr> <td>2 PLACES</td> <td>±0.15</td> <td>±---</td> </tr> <tr> <td>1 PLACE</td> <td>±---</td> <td>±---</td> </tr> <tr> <td>0 PLACE</td> <td>±---</td> <td>±---</td> </tr> </tbody> </table>			mm	INCH	4 PLACES	±---	±---	3 PLACES	±---	±---	2 PLACES	±0.15	±---	1 PLACE	±---	±---	0 PLACE	±---	±---	DIMENSION STYLE <b>MM ONLY</b>	SCALE <b>4:1</b>	DESIGN UNITS <b>METRIC</b>	THIRD ANGLE PROJECTION 
		mm	INCH																							
	4 PLACES	±---	±---																							
	3 PLACES	±---	±---																							
2 PLACES	±0.15	±---																								
1 PLACE	±---	±---																								
0 PLACE	±---	±---																								
	ANGULAR ±1/2° DRAFT WHERE APPLICABLE MUST REMAIN WITHIN DIMENSIONS		DRAWN BY DATE JESSIECHUA 2016/06/15		CHECKED BY DATE DMCGOWAN 2016/06/15		APPROVED BY DATE DMCGOWAN 2016/07/11																			
	MATERIAL NO. <b>SEE CHART</b>		DOCUMENT NO. <b>SD-170807-2026</b>		TITLE <b>PLUG 6X10 NEOSCALE</b>		SHEET NO. <b>1 OF 2</b>																			
	THIS DRAWING CONTAINS INFORMATION THAT IS PROPRIETARY TO MOLEX INCORPORATED AND SHOULD NOT BE USED WITHOUT WRITTEN PERMISSION																									

20 19 18 17 16 15 14 13 12 11 10 9 8 7 6 5 4 3 2 1

MATERIAL NUMBER	HEIGHT	TRIAD TYPE AND COUNT			DIM J	MATE WITH
		85 OHMS	100 OHMS	POWER		
1708072026	10.00MM	N/A	60 PLACES	N/A	14.11	1708142026 (18MM)



M L K J I H G F E D C B A

<b>SEE SHEET 1</b> IEC NO: UCP2016-4775 DRAWN: JESSIECHUA 2016/06/15 CHECKED BY: CHYKHCCGH 2016/06/15 APPROVED BY: DMCGOWAN 2016/07/11	QUALITY SYMBOLS	GENERAL TOLERANCES (UNLESS SPECIFIED)	DIMENSION STYLE	SCALE	DESIGN UNITS	THIRD ANGLE PROJECTION	
	▽=0	4 PLACES ± mm ± INCH	MM ONLY	6:1	METRIC	☉	
	▽=0	3 PLACES ± 0.15					
	▽=0	2 PLACES ± 0.15					
	1 PLACE ±	ANGULAR ±1/2°	DRAWN BY DATE	TITLE			
	0 PLACE ±	DRAFT WHERE APPLICABLE MUST REMAIN WITHIN DIMENSIONS	CHECKED BY DATE	PLUG 6X10 NEOSCALE			
			APPROVED BY DATE	molex			
			MATERIAL NO.	DOCUMENT NO.	SHEET NO.		
			<b>SEE SHEET 1</b>	SD-170807-2026	2 OF 2		
			THIS DRAWING CONTAINS INFORMATION THAT IS PROPRIETARY TO MOLEX INCORPORATED AND SHOULD NOT BE USED WITHOUT WRITTEN PERMISSION				

1b\_frame\_0\_P\_AM\_T Rev. G 2012/01/11

19 18 17 16 15 14 13 12 11 10 9 8 7 6 5 4 3 2 1