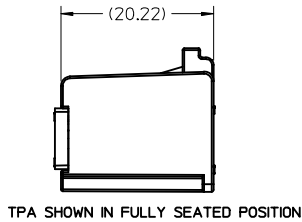
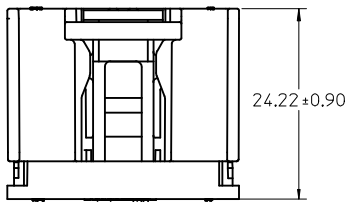
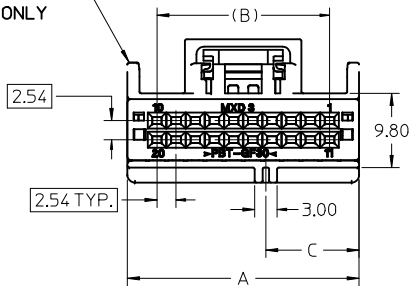


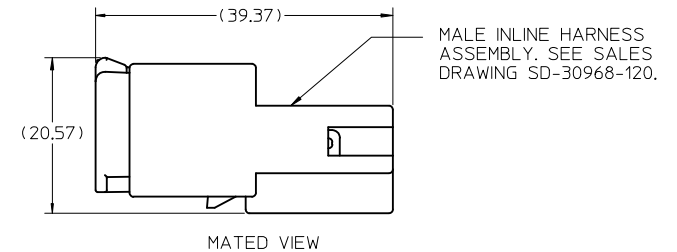
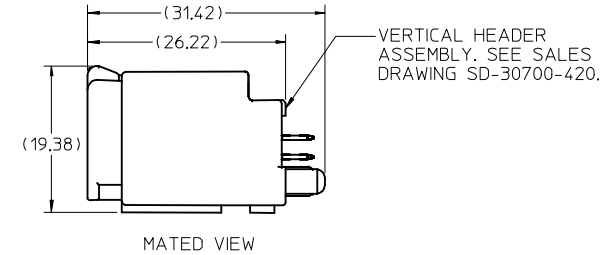
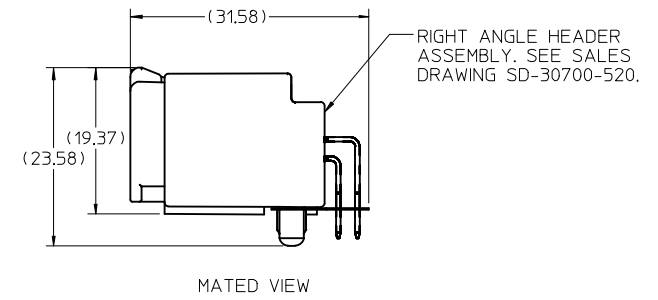
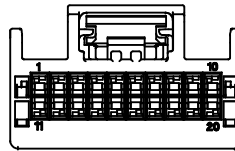
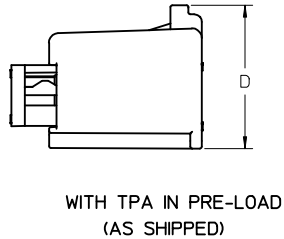
CONNECTORS WITHOUT BRIDGE OPTION



SCOOP PROOF RIBS FOR CIRCUIT SIZES 14 THROUGH 20 ONLY



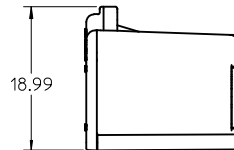
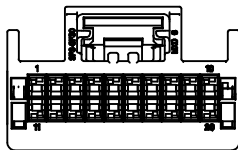
20 CIRCUIT HARNESS ASSEMBLY SHOWN



NOTES:

1. MATERIAL: HOUSING: SPS, GLASS FILLED, COLOR: SEE CHART. TPA: PBT, GLASS FILLED, COLOR: RED.
2. PRODUCT SPECIFICATION: PS-30700-0001
3. PACKAGING SPECIFICATION: PK-30907-417
4. MATES WITH: SERIES 30700 & 30968, SEE SALES DRAWINGS SD-30700-520, SD-30700-420 & SD-30968-120.

CONNECTORS WITH BRIDGE OPTION

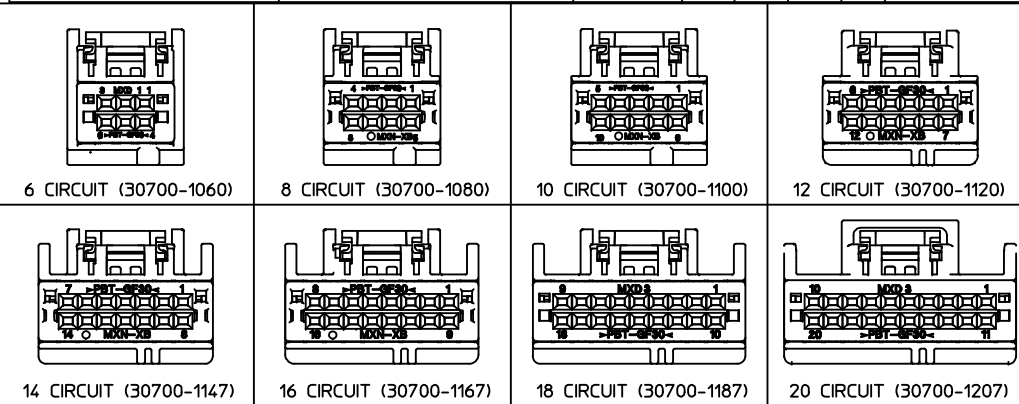
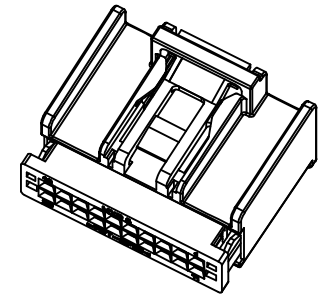


20 CIRCUIT HARNESS ASSEMBLY SHOWN

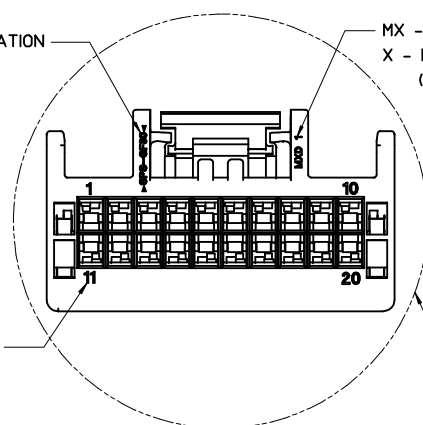
EC NO: UAU2016-0809 DRWN: KHEWITT 2015/11/24 CHKD: APPR: RBAUMAN 2016/01/06 REV	QUALITY SYMBOLS	GENERAL TOLERANCES (UNLESS SPECIFIED)		SCALE 2:1	DESIGN UNITS METRIC	THIRD ANGLE PROJECTION	REVISE ON CAD ONLY
	▽ -0 ∇ -0	mm	INCH	DIMENSION STYLE MM ONLY		TITLE	
		4 PLACES ± ---	± ---	DRAWN BY R CARLSON		DATE 01/03/23	
		3 PLACES ± ---	± ---	CHECKED BY C KRISHNA		DATE 01/03/27	
	2 PLACES ± 0.13	± ---	APPROVED BY L GEIB		DATE 01/03/28		
	1 PLACE ± 0.25	± ---	DRAFT WHERE APPLICABLE		MATERIAL NO. SEE CHART		
		ANGULAR ± 1/2°	MUST REMAIN WITHIN DIMENSIONS		DOCUMENT NO. SD-30700-120		
					SHEET NO. 1 OF 4		
					THIS DRAWING CONTAINS INFORMATION THAT IS PROPRIETARY TO MOLEX INCORPORATED AND SHOULD NOT BE USED WITHOUT WRITTEN PERMISSION		

HARNESS HOUSING OPTIONS WITHOUT A BRIDGE OVER THE MAIN LATCH

ASSEMBLY PART NUMBER	POLARIZATION OPTIONS & CIRCUIT SIZE		PRODUCT DIMENSIONS					PASS THRU HOLE DIA FOR HARNESS	MATING INTERFACE DIMENSIONS		STATUS
			A REF.	(B)	C	D	HOUSING COLOR		E	F	
30700-1207	POLARIZATION OPTION #1	20	30.69	22.86	12.35	17.79	GRAY	36.5	12.57	31.14	RELEASED
30700-1208	POLARIZATION OPTION #2	20	30.69	22.86	15.35	17.79	BLACK	36.5	15.57	31.14	RELEASED
30700-1209	POLARIZATION OPTION #3	20	30.69	22.86	18.35	17.79	NATURAL (CREAM)	36.5	18.57	31.14	RELEASED
30700-1187	POLARIZATION OPTION #1	18	28.15	20.32	11.08	17.79	GRAY	34.0	11.31	28.60	RELEASED
30700-1188	POLARIZATION OPTION #2	18	28.15	20.32	14.08	17.79	BLACK	34.0	14.31	28.60	RELEASED
30700-1189	POLARIZATION OPTION #3	18	28.15	20.32	17.08	17.79	NATURAL (CREAM)	34.0	17.31	28.60	RELEASED
30700-1167	POLARIZATION OPTION #1	16	25.61	17.78	9.81	17.79	GRAY	32.0	10.04	26.06	RELEASED
30700-1168	POLARIZATION OPTION #2	16	25.61	17.78	12.81	17.79	BLACK	32.0	13.04	26.06	RELEASED
30700-1169	POLARIZATION OPTION #3	16	25.61	17.78	15.81	17.79	NATURAL (CREAM)	32.0	16.04	26.06	RELEASED
30700-1147	POLARIZATION OPTION #1	14	23.07	15.24	8.54	17.79	GRAY	30.0	8.77	23.52	RELEASED
30700-1148	POLARIZATION OPTION #2	14	23.07	15.24	11.54	17.79	BLACK	30.0	11.77	23.52	RELEASED
30700-1149	POLARIZATION OPTION #3	14	23.07	15.24	14.54	17.79	NATURAL (CREAM)	30.0	14.77	23.52	RELEASED
30700-1120	POLARIZATION OPTION #1	12	20.53	12.70	7.25	17.79	GRAY	27.5	7.50	20.98	RELEASED
30700-1121	POLARIZATION OPTION #2	12	20.53	12.70	10.27	17.79	BLACK	27.5	10.50	20.98	RELEASED
30700-1122	POLARIZATION OPTION #3	12	20.53	12.70	13.27	17.98	NATURAL (CREAM)	27.5	13.50	20.98	RELEASED
30700-1100	POLARIZATION OPTION #1	10	17.99	10.16	6.00	17.98	GRAY	26.4	6.23	18.44	RELEASED
30700-1101	POLARIZATION OPTION #2	10	17.99	10.16	9.00	17.98	BLACK	26.4	9.23	18.44	RELEASED
30700-1102	POLARIZATION OPTION #3	10	17.99	10.16	12.00	17.98	NATURAL (CREAM)	26.4	12.23	18.44	RELEASED
30700-1080	POLARIZATION OPTION #1	8	15.45	7.62	4.73	17.98	GRAY	25.5	4.96	15.90	RELEASED
30700-1081	POLARIZATION OPTION #2	8	15.45	7.62	7.73	17.98	BLACK	25.5	7.96	15.90	RELEASED
30700-1082	POLARIZATION OPTION #3	8	15.45	7.62	10.73	17.98	NATURAL (CREAM)	25.5	10.96	15.90	RELEASED
30700-1060	POLARIZATION OPTION #1	6	15.44	5.08	3.46	17.98	GRAY	25.5	3.69	13.36	RELEASED
30700-1061	POLARIZATION OPTION #2	6	15.44	5.08	6.46	17.98	BLACK	25.5	6.69	13.36	RELEASED
30700-1062	POLARIZATION OPTION #3	6	15.44	5.08	9.46	17.98	NATURAL (CREAM)	25.5	9.69	13.36	RELEASED



MATERIAL IDENTIFICATION SYMBOL



MX - VENDOR IDENTIFICATION (MOLEX)
X - MANUFACTURING LOCATION
('N' FOR LINCOLN, 'D' FOR AUBURN HILLS)

CIRCUIT NUMBER IDENTIFICATION

SEE CHART FOR MINIMUM FEED THROUGH DIAMETER (1MM CLEARANCE ALL AROUND)

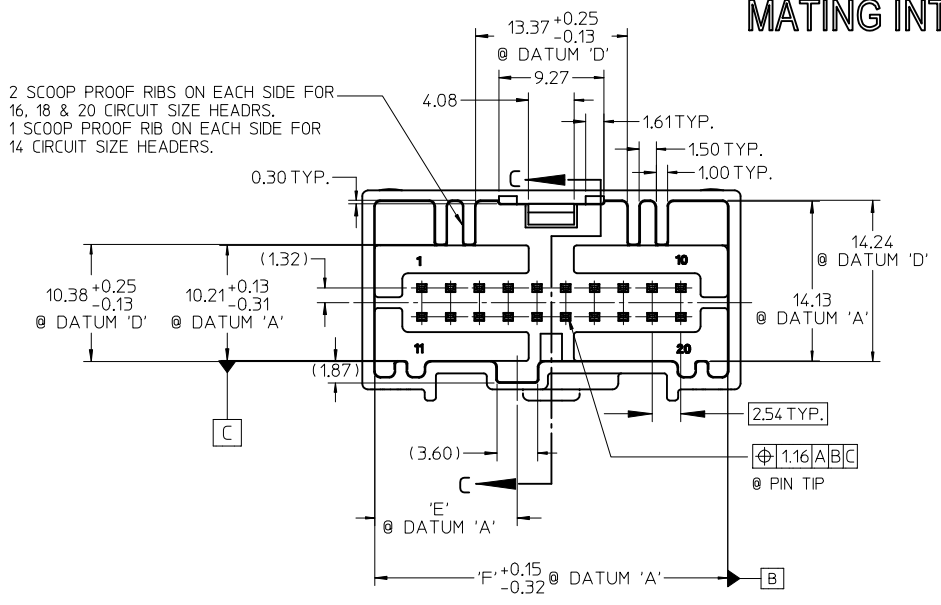
EC NO: UAU2016-0809 DRWN: KHEWITT 2015/11/24 CHKD: APPR: RBAJUMAN 2016/01/06 H REV	QUALITY SYMBOLS ▽ - 0 ∇ - 0	GENERAL TOLERANCES (UNLESS SPECIFIED)		SCALE 2:1	DESIGN UNITS METRIC	THIRD ANGLE PROJECTION	REVISE ON CAD ONLY
		mm	INCH	DIMENSION STYLE MM ONLY		TITLE	
		4 PLACES ± ---	± ---	DRAWN BY RCARLSON		DATE 01/03/23	
		3 PLACES ± ---	± ---	CHECKED BY CKRISHNA		DATE 01/03/27	
2 PLACES ± 0.13	± ---	APPROVED BY LGIEB		DATE 01/03/28		MOLEX INCORPORATED MATERIAL NO. SEE CHART DOCUMENT NO. SD-30700-120 SHEET NO. 2 OF 4	
DRAFT WHERE APPLICABLE		MUST REMAIN WITHIN DIMENSIONS		THIS DRAWING CONTAINS INFORMATION THAT IS PROPRIETARY TO MOLEX INCORPORATED AND SHOULD NOT BE USED WITHOUT WRITTEN PERMISSION			

HARNESS HOUSING OPTIONS WHICH INCLUDE A PROTECTIVE BRIDGE OVER THE MAIN LATCH

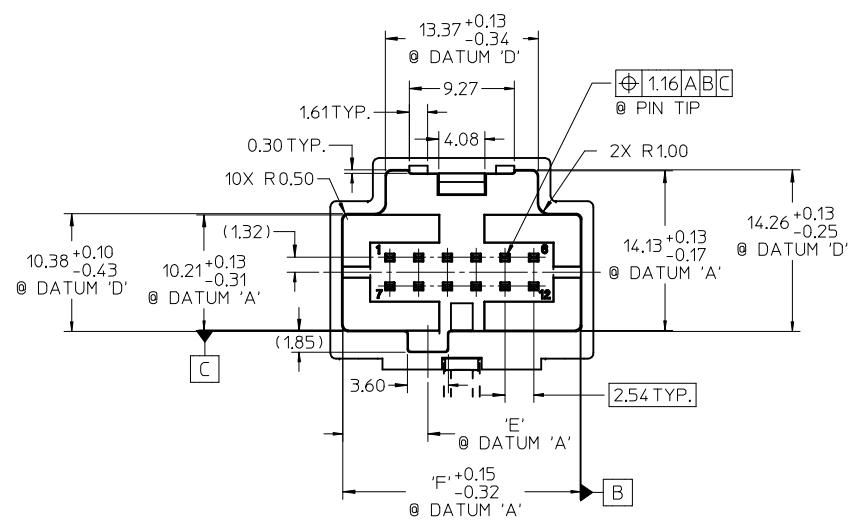
ASSEMBLY PART NUMBER	POLARIZATION OPTIONS & CIRCUIT SIZE		PRODUCT DIMENSIONS					PASS THRU HOLE DIA FOR HARNESS	MATING INTERFACE DIMENSIONS		STATUS	
			A REF.	(B)	C	D	HOUSING COLOR		E	F		
31389-1207	WITH BRIDGE	POLARIZATION OPTION #1	20	30.69	22.86	12.35	17.79	GRAY	36.5	12.57	31.14	RELEASED
31389-1208		POLARIZATION OPTION #2	20	30.69	22.86	15.35	17.79	BLACK	36.5	15.57	31.14	NOT RELEASED
31389-1209		POLARIZATION OPTION #3	20	30.69	22.86	18.35	17.79	NATURAL (CREAM)	36.5	18.57	31.14	NOT RELEASED
31389-1187		POLARIZATION OPTION #1	18	28.15	20.32	11.08	17.79	GRAY	34.0	11.31	28.60	NOT RELEASED
31389-1188		POLARIZATION OPTION #2	18	28.15	20.32	14.08	17.79	BLACK	34.0	14.31	28.60	NOT RELEASED
31389-1189		POLARIZATION OPTION #3	18	28.15	20.32	17.08	17.79	NATURAL (CREAM)	34.0	17.31	28.60	NOT RELEASED
31389-1167		POLARIZATION OPTION #1	16	25.61	17.78	9.81	17.79	GRAY	32.0	10.04	26.06	NOT RELEASED
31389-1168		POLARIZATION OPTION #2	16	25.61	17.78	12.81	17.79	BLACK	32.0	13.04	26.06	NOT RELEASED
31389-1169		POLARIZATION OPTION #3	16	25.61	17.78	15.81	17.79	NATURAL (CREAM)	32.0	16.04	26.06	NOT RELEASED
31389-1147		POLARIZATION OPTION #1	14	23.07	15.24	8.54	17.79	GRAY	30.0	8.77	23.52	NOT RELEASED
31389-1148		POLARIZATION OPTION #2	14	23.07	15.24	11.54	17.79	BLACK	30.0	11.77	23.52	NOT RELEASED
31389-1149		POLARIZATION OPTION #3	14	23.07	15.24	14.54	17.79	NATURAL (CREAM)	30.0	14.77	23.52	NOT RELEASED
31389-1120		POLARIZATION OPTION #1	12	20.53	12.70	7.25	17.79	GRAY	27.5	7.50	20.98	NOT RELEASED
31389-1121		POLARIZATION OPTION #2	12	20.53	12.70	10.27	17.79	BLACK	27.5	10.50	20.98	NOT RELEASED
31389-1122		POLARIZATION OPTION #3	12	20.53	12.70	13.27	17.98	NATURAL (CREAM)	27.5	13.50	20.98	NOT RELEASED
31389-1100		POLARIZATION OPTION #1	10	17.99	10.16	6.00	17.98	GRAY	26.4	6.23	18.44	NOT RELEASED
31389-1101		POLARIZATION OPTION #2	10	17.99	10.16	9.00	17.98	BLACK	26.4	9.23	18.44	NOT RELEASED
31389-1102		POLARIZATION OPTION #3	10	17.99	10.16	12.00	17.98	NATURAL (CREAM)	26.4	12.23	18.44	NOT RELEASED
31389-1080		POLARIZATION OPTION #1	8	15.45	7.62	4.73	17.98	GRAY	25.5	4.96	15.90	NOT RELEASED
31389-1081		POLARIZATION OPTION #2	8	15.45	7.62	7.73	17.98	BLACK	25.5	7.96	15.90	NOT RELEASED
31389-1082		POLARIZATION OPTION #3	8	15.45	7.62	10.73	17.98	NATURAL (CREAM)	25.5	10.96	15.90	NOT RELEASED
31389-1060		POLARIZATION OPTION #1	6	15.44	5.08	3.46	17.98	GRAY	25.5	3.69	13.36	NOT RELEASED
31389-1061		POLARIZATION OPTION #2	6	15.44	5.08	6.46	17.98	BLACK	25.5	6.69	13.36	NOT RELEASED
31389-1062		POLARIZATION OPTION #3	6	15.44	5.08	9.46	17.98	NATURAL (CREAM)	25.5	9.69	13.36	NOT RELEASED

ENTER DESCRIPTION EC NO: UAU2016-0809 DRAWN BY: DRW:KHEW TT 2015/11/24 CHKD: APPR:RBAJMAN 2016/01/06 REV:	QUALITY SYMBOLS	GENERAL TOLERANCES (UNLESS SPECIFIED)	DIMENSION STYLE	SCALE	DESIGN UNITS	THIRD ANGLE PROJECTION
	▽=0	mm INCH	MM ONLY	1:1	METRIC	
	▽=0	4 PLACES ± --- ± ---	DRAWN BY DATE	TITLE 6-20 CIRCUIT HARNESS ASSEMBLY		
	▽=0	3 PLACES ± --- ± ---	RCARLSON 01/03/23			
	2 PLACES ± 0.13 ± ---	CHECKED BY DATE	molex			
	1 PLACE ± 0.25 ± ---	CKRISHNA 01/03/27				
	0 PLACE ± ±	APPROVED BY DATE	DOCUMENT NO. SD-30700-120			
		LGEIB 01/03/28				
	ANGULAR ±1/2°	MATERIAL NO.	SHEET NO. 3 OF 4			
	DRAFT WHERE APPLICABLE MUST REMAIN WITHIN DIMENSIONS	SEE CHART				
		SIZE C	THIS DRAWING CONTAINS INFORMATION THAT IS PROPRIETARY TO MOLEX INCORPORATED AND SHOULD NOT BE USED WITHOUT WRITTEN PERMISSION			

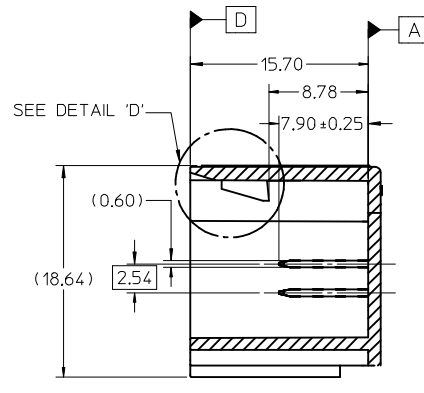
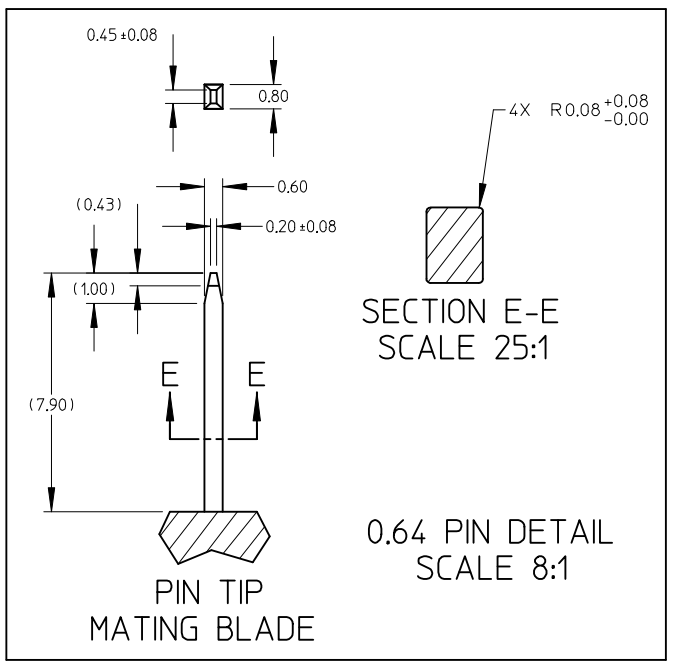
MATING INTERFACE DIMENSIONS (REFERENCE ONLY)



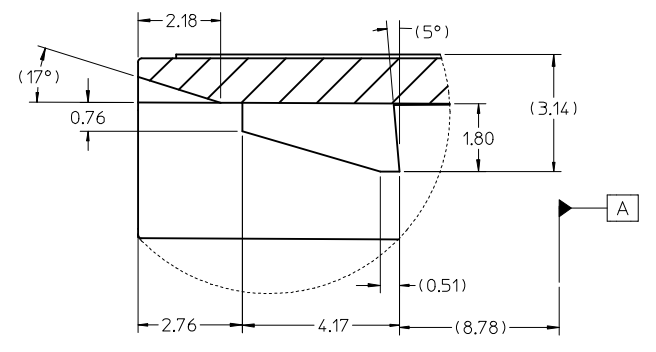
ABOVE VIEW APPLY TO 14, 16, 18 & 20 CIRCUIT ONLY



ABOVE VIEW APPLY TO 6, 8, 10 & 12 CIRCUIT ONLY



SECTION C-C



DETAIL 'D' SCALE 10:1

EC NO: UAU2016-0809 DRW: KHEWITT 2015/11/24 CHK: RBAUMAN APPR: MKNACK 2016/01/06	QUALITY SYMBOLS	GENERAL TOLERANCES (UNLESS SPECIFIED)		SCALE	DESIGN UNITS	THIRD ANGLE PROJECTION	REVISE ON CAD ONLY		
	-0 -0		mm	INCH	DIMENSION STYLE		6-20 CIRCUIT HARNESS ASSEMBLY		
		4 PLACES ±	---	±	MM ONLY				
		3 PLACES ±	---	±	DRAWN BY	DATE	MOLEX INCORPORATED MATERIAL NO. DOCUMENT NO. SHEET NO. SD-30700-120 4 OF 4		
2 PLACES ±	0.13	±	RCARLSON01/03/23						
1 PLACE ±	0.25	±	CHECKED BY	DATE	THIS DRAWING CONTAINS INFORMATION THAT IS PROPRIETARY TO MOLEX INCORPORATED AND SHOULD NOT BE USED WITHOUT WRITTEN PERMISSION				
ANGULAR ±		1/2 °	CKRISHNA	01/03/27					
	DRAFT WHERE APPLICABLE MUST REMAIN WITHIN DIMENSIONS	APPROVED BY	DATE	LGEIB	01/03/28				