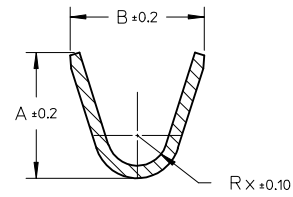
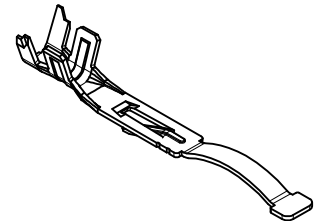
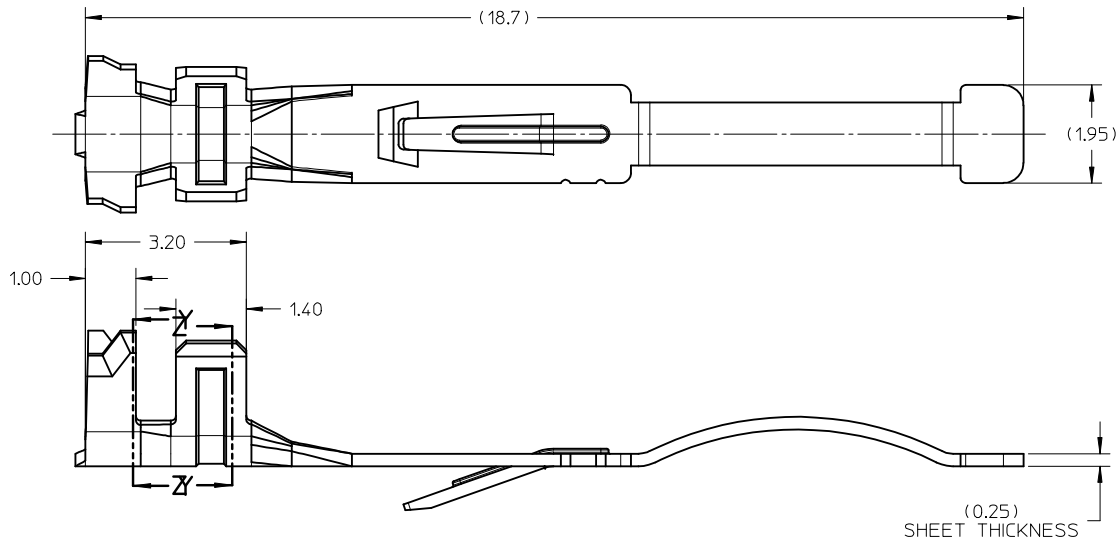
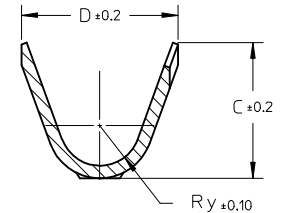


PART NO	AWG	A	B	Rx	C	D	Ry
368760001	20-22	2.50	2.70	0.60	2.70	3.10	0.80
368760002	24-26	2.35	2.70	0.25	2.20	2.40	0.70

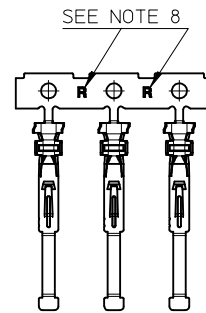
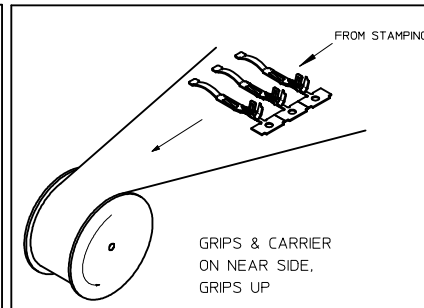
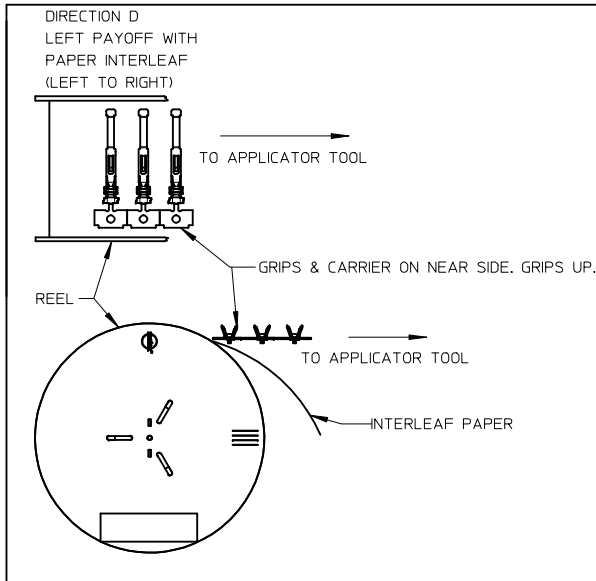


SECTION Z-Z



SECTION Y-Y

REELING DIRECTIONS



NOTES:

1. MATERIAL: HIGH COPPER
2. PLATING: TIN OVER NICKEL OVERALL
3. PRODUCT SPECIFICATION: PS-36876-001
4. PACKAGING SPECIFICATION: PK-36876-001
5. MATES WITH: IDENTICAL TERMINAL (SERIES 36876)
6. USED WITH: GENDERLESS CRIMP HOUSING SERIES 36877
7. COSMETIC SPECIFICATION: PS-45499-002 CLASS B
8. "R" MARKING ON CARRIER STRIP IS FOR INTERNAL REFERENCE ONLY.

NOTES ADDED TO 'A'	REV	DESCRIPTION	DATE
REV CHANGE TO 'A'	A	DRWN: NCSR	2015/05/11
EC NO: UCP2016-1548		CHKD: KPRASAD	2015/10/26
		APPR: KPRASAD	

QUALITY SYMBOLS
$\nabla F = 0$
$\nabla E = 0$
$\nabla D = 0$

GENERAL TOLERANCES (UNLESS SPECIFIED)	
	mm INCH
4 PLACES	± --- ± ---
3 PLACES	± --- ± ---
2 PLACES	± 0.13 ± ---
1 PLACE	± 0.25 ± ---
0 PLACE	± --- ± ---
ANGULAR ± 1/2°	
DRAFT WHERE APPLICABLE MUST REMAIN WITHIN DIMENSIONS	

DIMENSION STYLE	
MM ONLY	
DRAWN BY	DATE
NCSR	2013/10/28
CHECKED BY	DATE
APPROVED BY	DATE
KPRASAD	2013/10/29
MATERIAL NO.	
SEE TABLE	

SCALE	DESIGN UNITS	THIRD ANGLE PROJECTION
10:1	METRIC	
TITLE		
GENDERLESS TERMINAL		
20-26 AWG		
DITTO INTERCONNECTS		
molex		
DOCUMENT NO.	SHEET NO.	
SD-36876-001	1 OF 1	