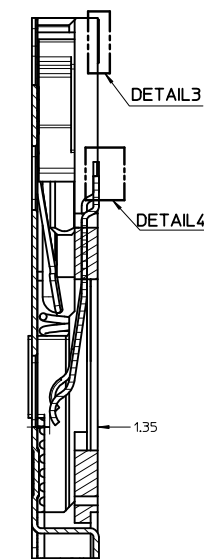
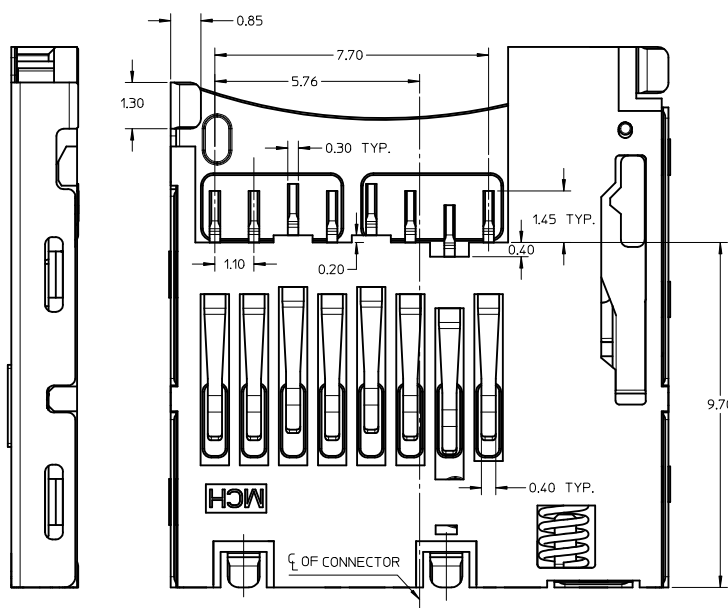
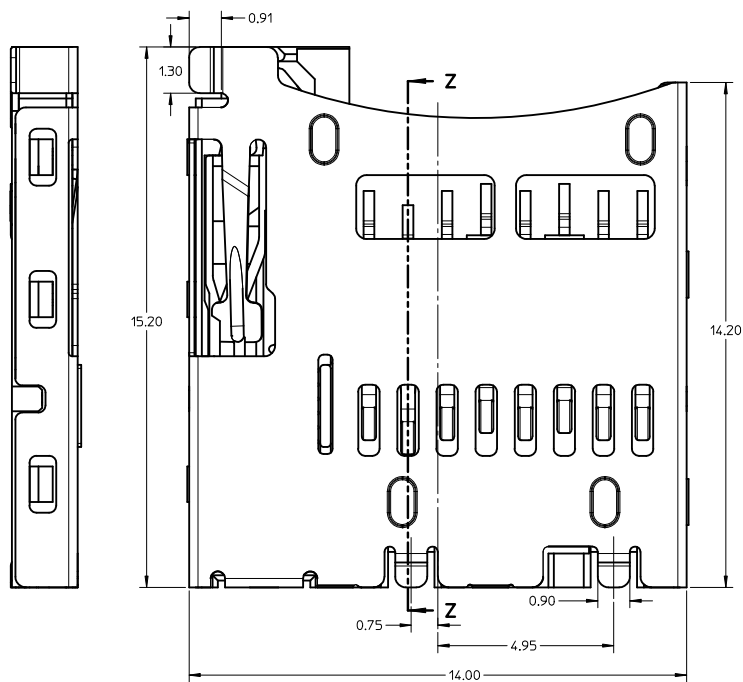
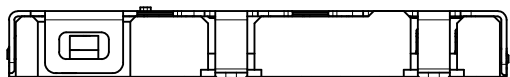


DETAIL 4

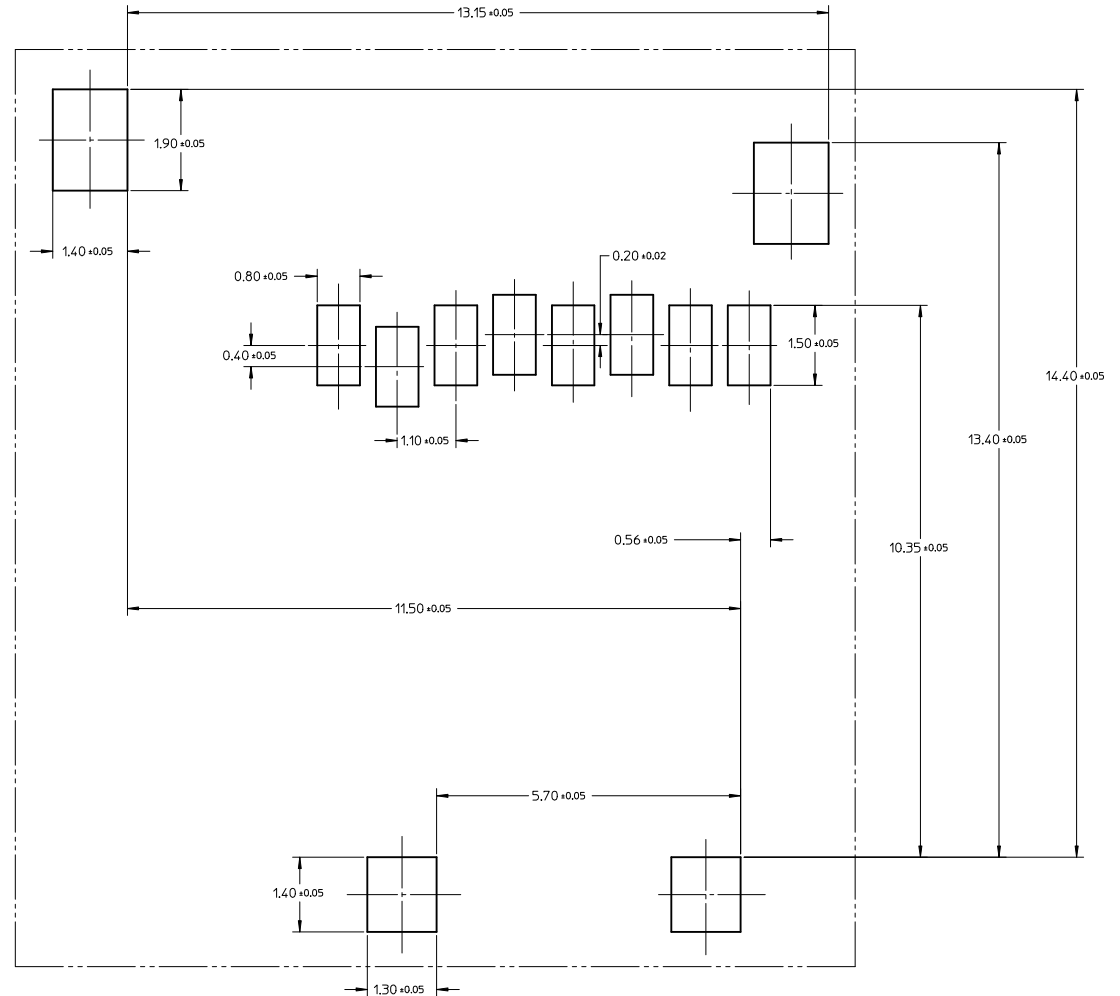
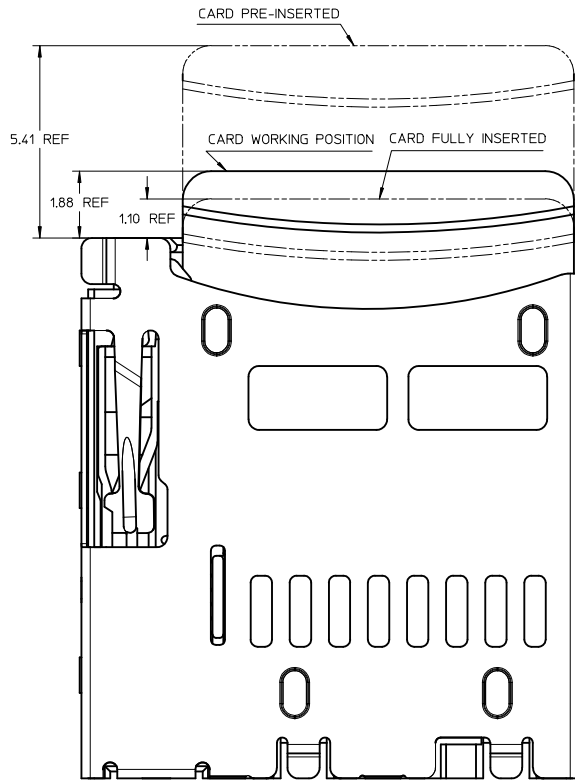
DETAIL 3



SECTION Z-Z



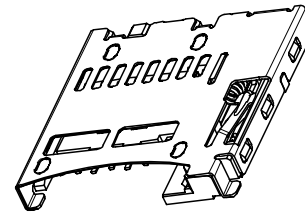
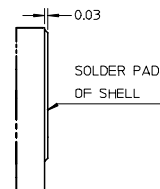
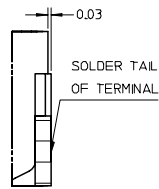
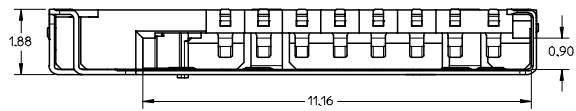
<b>REVISED</b> EC NO: SH2012-0215 DRAWN: GLLI CHKD: APPR: XJSONG 2012/01/05 2012/01/16	DESCRIPTION TFR/MICRO SD CARD READER PUSH PUSH TYPE WITHOUT DETECT PIN	QUALITY SYMBOLS ▽=0 ▽=0 ▽=0		GENERAL TOLERANCES (UNLESS SPECIFIED) <table border="1"> <thead> <tr> <th></th> <th>mm</th> <th>INCH</th> </tr> </thead> <tbody> <tr> <td>4 PLACES</td> <td>± 0.15</td> <td>± 0.006</td> </tr> <tr> <td>3 PLACES</td> <td>± 0.20</td> <td>± 0.008</td> </tr> <tr> <td>2 PLACES</td> <td>± 0.30</td> <td>± 0.012</td> </tr> <tr> <td>1 PLACE</td> <td>± 0.40</td> <td>± 0.016</td> </tr> <tr> <td colspan="2">ANGULAR</td> <td>± 3°</td> </tr> </tbody> </table>			mm	INCH	4 PLACES	± 0.15	± 0.006	3 PLACES	± 0.20	± 0.008	2 PLACES	± 0.30	± 0.012	1 PLACE	± 0.40	± 0.016	ANGULAR		± 3°	DIMENSION STYLE <b>MM ONLY</b>		SCALE <b>5:1</b>	DESIGN UNITS <b>METRIC</b>	THIRD ANGLE PROJECTION
			mm	INCH																								
		4 PLACES	± 0.15	± 0.006																								
		3 PLACES	± 0.20	± 0.008																								
2 PLACES	± 0.30	± 0.012																										
1 PLACE	± 0.40	± 0.016																										
ANGULAR		± 3°																										
DRAWN BY GLLI		DATE 2012/01/05		TITLE <b>TFR/MICRO SD CARD READER          PUSH PUSH TYPE          WITHOUT DETECT PIN</b>																								
CHECKED BY XJSONG		DATE 2012/01/16		APPROVED BY XJSONG		DATE 2012/01/16		MATERIAL NO. <b>47334-0001</b>																				
DRAFT WHERE APPLICABLE MUST REMAIN WITHIN DIMENSIONS		SIZE <b>A2</b>		THIS DRAWING CONTAINS INFORMATION THAT IS PROPRIETARY TO MOLEX INCORPORATED AND SHOULD NOT BE USED WITHOUT WRITTEN PERMISSION		DOCUMENT NO. <b>SD-47334-001</b>		SHEET NO. <b>1 OF 2</b>																				



RECOMMENDED PCB LAYOUT

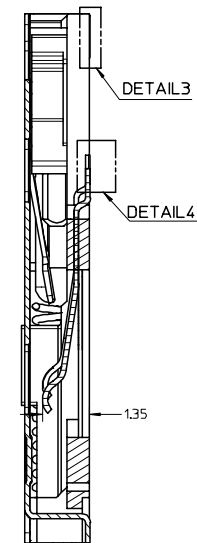
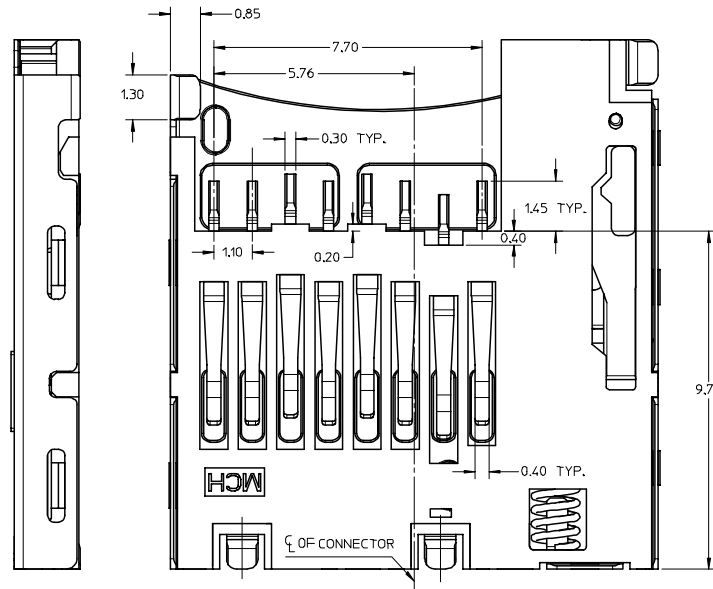
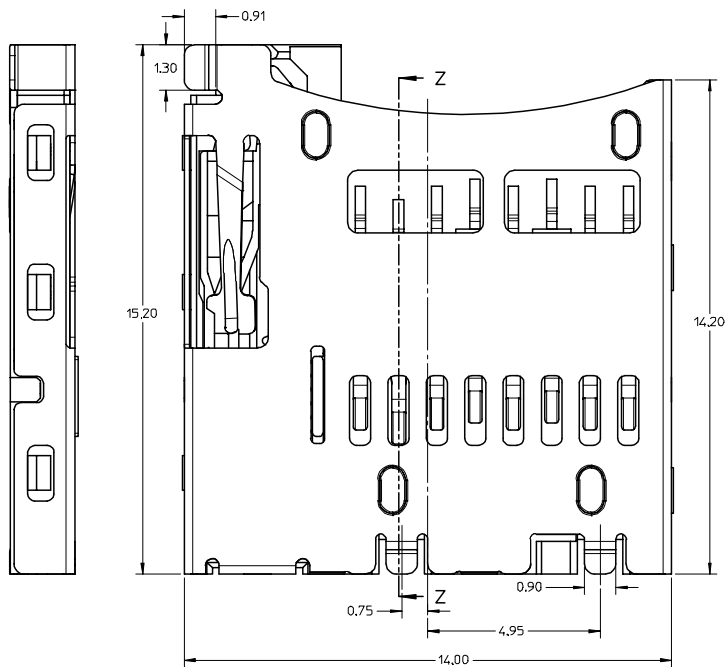
- NOTES:
- MATERIAL:
    - 1-1 TERMINAL, FITTING NAIL : COPPER ALLOY.
    - 1-2 SHELL, CAM PIN, SPRING : STAINLESS STEEL.
    - 1-3 HOUSING : LCP, UL 94-V0, BLACK.
    - 1-4 CAM: NYLON 46.
  - FINISH:
    - 2-1 TERMINAL : NICKEL UNDERPLATED, GOLD PLATING ON CONTACT AREA  
TIN PLATING ON SOLDER TAIL
    - 2-2 SHELL : GOLD FLASH OVER NICKEL UNDERPLATED ON SOLDER PAD
  - MECHANICAL SPECIFICATION:
    - REPEATED 5,000 TIMES MATING AND UNMATING CYCLES AND STILL MEET ELECTRICAL CHARACTERISTICS
  - ELECTRICAL SPECIFICATION:
    - 4-1 RATED CURRENT (PER CONTACT) : 0.5AMPS MAX AND TEMPERATURE RISE SHOULD BE 30°C MAX
    - 4-2 INSULATION RESISTANCE(I.R) : 100 MEGOHMS MIN.
    - 4-3 DIELECTRIC WITHSTANDING VOLTAGE : 500 VAC
    - 4-4 CONTACT RESISTANCE: 100 MILLIOHMS MAX

REVISED EC NO: SF2012-0215 DRW:GLL CHKD: APPR:XJSONG 2012/01/05 2012/01/16	DESCRIPTION REV	QUALITY SYMBOLS $\nabla=0$ $\nabla=0$ $\nabla=0$		GENERAL TOLERANCES (UNLESS SPECIFIED) mm INCH 4 PLACES ± --- ± --- 3 PLACES ± --- ± --- 2 PLACES ± 0.15 ± --- 1 PLACE ± 0.30 ± --- ANGULAR ± 3°		DIMENSION STYLE <b>MM ONLY</b>		SCALE <b>10:1</b>	DESIGN UNITS <b>METRIC</b>	THIRD ANGLE PROJECTION	
		DRAWN BY GLLI		DATE 2012/01/05		TITLE <b>TFR/MICRO SD CARD READER          PUSH PUSH TYPE          WITHOUT DETECT PIN</b>		MOLEX INCORPORATED		SHEET NO. <b>2 OF 2</b>	
		CHECKED BY		DATE		APPROVED BY XJSONG		DATE 2012/01/16		DOCUMENT NO. <b>SD-47334-001</b>	
		MATERIAL NO. <b>47334-0001</b>		DRAFT WHERE APPLICABLE MUST REMAIN WITHIN DIMENSIONS		SIZE <b>A2</b>		THIS DRAWING CONTAINS INFORMATION THAT IS PROPRIETARY TO MOLEX INCORPORATED AND SHOULD NOT BE USED WITHOUT WRITTEN PERMISSION			

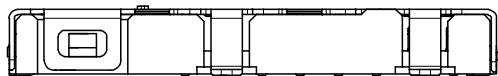


DETAIL 4

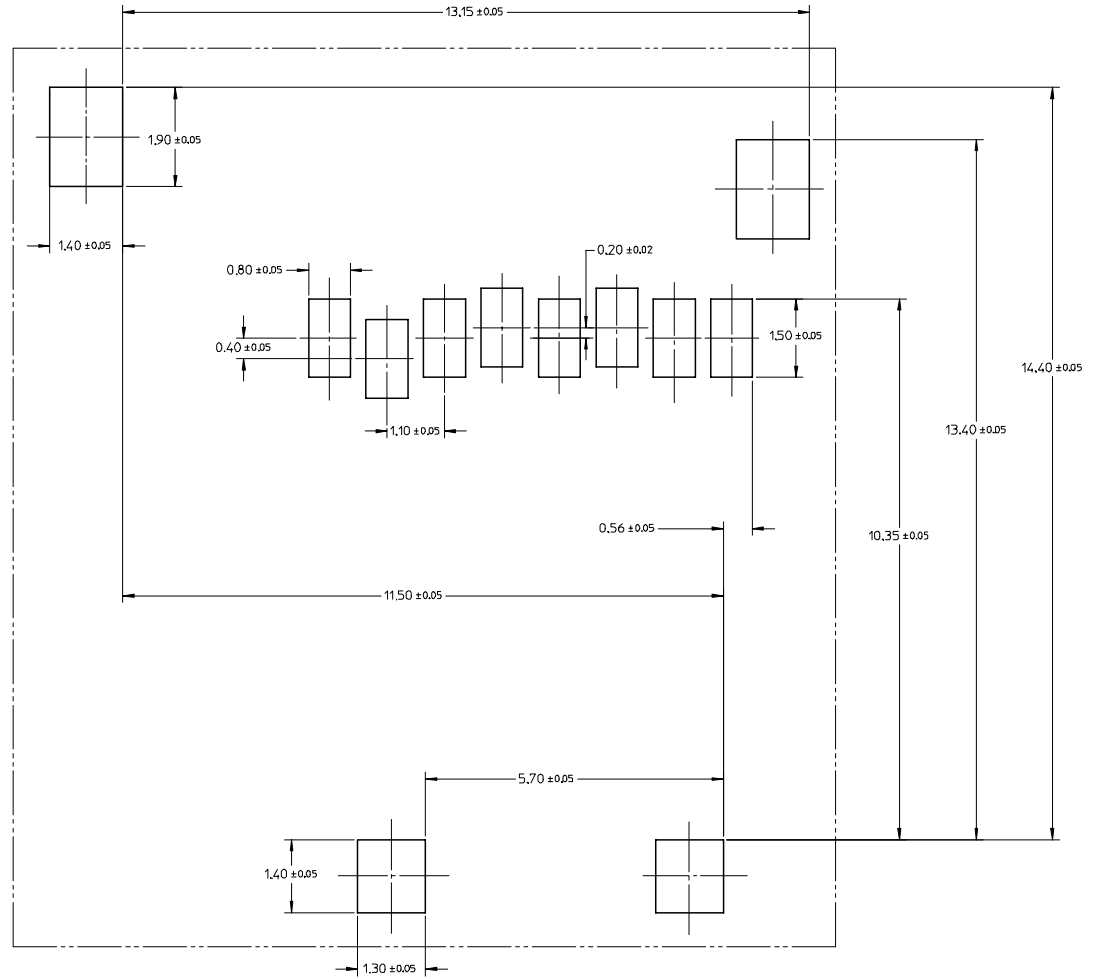
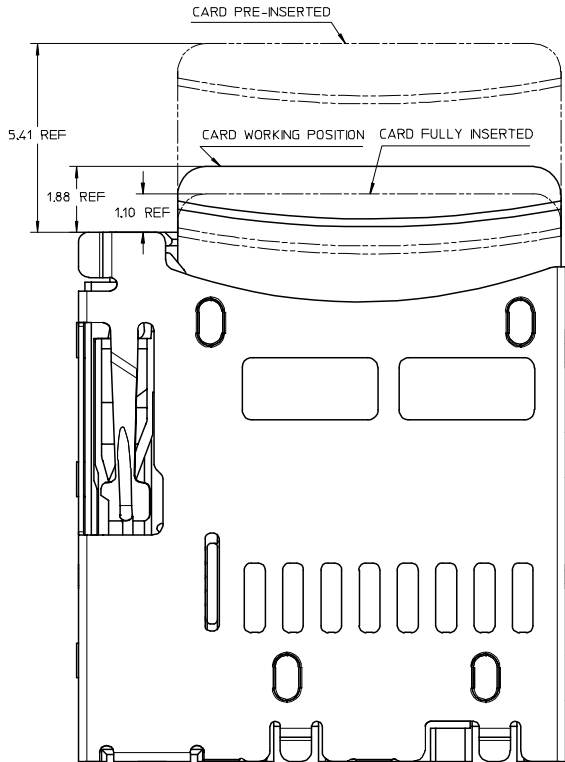
DETAIL 3



SECTION Z-Z



REVISED EEC NO.: SH2007-0499 DRAWN: ZHOU 2007/02/12 CHKD: XU XIANG APPR: JINCHEN 2007/03/16 REV DESCRIPTION	QUALITY SYMBOLS ▽=0 ▽=0		GENERAL TOLERANCES (UNLESS SPECIFIED)		DIMENSION STYLE MM ONLY		SCALE 5:1	DESIGN UNITS METRIC	THIRD ANGLE PROJECTION
	4 PLACES	± ---	± ---	mm	INCH	DRAWN BY	DATE	TITLE	
	3 PLACES	± ---	± ---			XIXU	2006/03/25	TFR&MICRO SD CARD READER	
	2 PLACES	± 0.15	± ---			CHECKED BY	DATE	PUSH PUSH TYPE	
1 PLACE	± ---	± ---			XIXU	2006/03/28	WITHOUT DETECT SWITCH		
ANGULAR ±1/2°					APPROVED BY	DATE	MOLEX INCORPORATED		
DRAFT WHERE APPLICABLE MUST REMAIN WITHIN DIMENSIONS					JNCHEN	2006/03/29	MOLEX INCORPORATED		
					MATERIAL NO.	DOCUMENT NO.			SHEET NO.
					473340001	SD-47334-001			1 OF 2
THIS DRAWING CONTAINS INFORMATION THAT IS PROPRIETARY TO MOLEX INCORPORATED AND SHOULD NOT BE USED WITHOUT WRITTEN PERMISSION									



RECOMMENDED PCB LAYOUT

NOTES:

1 MATERIAL:

- 1-1 TERMINAL, FITTING NAIL : COPPER ALLOY
- 1-2 SHELL, CAM PIN, SPRING : STAINLESS STEEL
- 1-3 HOUSING, CAM : LCP, UL 94-V0, BLACK

2 FINISH:

- 2-1 TERMINAL : NICKEL UNDERPLATED, GOLD PLATING ON CONTACT AREA  
TIN PLATING ON SOLDER TAIL
- 2-2 SHELL : GOLD FLASH OVER NICKEL UNDERPLATED ON SOLDER PAD

3 MECHANICAL SPECIFICATION:

REPEATED 5,000 TIMES MATING AND UNMATING CYCLES AND STILL MEET ELECTRICAL CHARACTERISTICS

4 ELECTRICAL SPECIFICATION:

- 4-1 RATED CURRENT (PER CONTACT) : 0.5AMPS MAX AND TEMPERATURE RISE SHOULD BE 30°C MAX
- 4-2 INSULATION RESISTANCE(IR) : 100 MEGOHMS MIN.
- 4-3 DIELECTRIC WITHSTANDING VOLTAGE : 500 VAC
- 4-4 CONTACT RESISTANCE: 100 MILLIOHMS MAX

REVISED EIC NO.: SH2007-0499 DRWN: ZHOU CHKD: XU XIANG APPR: JINCHEN 2007/02/12 2007/03/16	QUALITY SYMBOLS	GENERAL TOLERANCES (UNLESS SPECIFIED)	DIMENSION STYLE	SCALE	DESIGN UNITS	THIRD ANGLE PROJECTION												
	$\nabla=0$ $\nabla=0$	<table border="1"> <tr><th>mm</th><th>INCH</th></tr> <tr><td>4 PLACES ± ---</td><td>± ---</td></tr> <tr><td>3 PLACES ± ---</td><td>± ---</td></tr> <tr><td>2 PLACES ± 0.15</td><td>± ---</td></tr> <tr><td>1 PLACE ± ---</td><td>± ---</td></tr> <tr><td colspan="2">ANGULAR ± 1/2°</td></tr> </table>	mm	INCH	4 PLACES ± ---	± ---	3 PLACES ± ---	± ---	2 PLACES ± 0.15	± ---	1 PLACE ± ---	± ---	ANGULAR ± 1/2°		MM ONLY	10:1	METRIC	
	mm	INCH																
	4 PLACES ± ---	± ---																
3 PLACES ± ---	± ---																	
2 PLACES ± 0.15	± ---																	
1 PLACE ± ---	± ---																	
ANGULAR ± 1/2°																		
<table border="1"> <tr><td>DRAWN BY</td><td>DATE</td></tr> <tr><td>XIXU</td><td>2006/03/25</td></tr> <tr><td>CHECKED BY</td><td>DATE</td></tr> <tr><td>XIXU</td><td>2006/03/28</td></tr> <tr><td>APPROVED BY</td><td>DATE</td></tr> <tr><td>JNCHEN</td><td>2006/03/29</td></tr> </table>	DRAWN BY	DATE	XIXU	2006/03/25	CHECKED BY	DATE	XIXU	2006/03/28	APPROVED BY	DATE	JNCHEN	2006/03/29	TITLE	TFR&MICRO SD CARD READER PUSH PUSH TYPE WITHOUT DETECT SWITCH				
DRAWN BY	DATE																	
XIXU	2006/03/25																	
CHECKED BY	DATE																	
XIXU	2006/03/28																	
APPROVED BY	DATE																	
JNCHEN	2006/03/29																	
<table border="1"> <tr><td>MATERIAL NO.</td><td>DOCUMENT NO.</td></tr> <tr><td>473340001</td><td>SD-47334-001</td></tr> </table>	MATERIAL NO.	DOCUMENT NO.	473340001	SD-47334-001	MOLEX INCORPORATED		SHEET NO. 2 OF 2											
MATERIAL NO.	DOCUMENT NO.																	
473340001	SD-47334-001																	

DRAFT WHERE APPLICABLE  
MUST REMAIN  
WITHIN DIMENSIONS

THIS DRAWING CONTAINS INFORMATION THAT IS PROPRIETARY TO MOLEX  
INCORPORATED AND SHOULD NOT BE USED WITHOUT WRITTEN PERMISSION