

NOTES

1. 嵌合相手 : 502439-**00
MATE WITH : 502439-**00
2. 端子テール部 及び ネイルの平坦度: 0.1MAX
TAIL AND NAIL COPLANARITY TO BE 0.1 MAX.
3. 極数/2 = 偶数に適用
APPLY FOR CKT. SIZE /2 = EVEN.
4. 端子テール部 及び ネイルに錫めっきを使用しているため、
外観に摺動痕が付く場合が御座います。
THE WOUND OF FRICTION MIGHT ADHERE TO EXTERNALS
BECAUSE THE TIN PLATING IS USED FOR THE NAIL AND NAIL.
5. 本製品のプラスチック部に黒点等が確認される場合や
色合いが異なる場合がありますが、製品性能に影響はありません。
THERE IS NO INFLUENCE IN THE PRODUCT PERFORMANCE THOUGH
THE BLACK SPOT ETC. MIGHT BE CONFIRMED TO THE PLASTIC PART
OF THIS PRODUCT AND THE SHADE MIGHT BE DIFFERENT.
6. ELV 及び RoHS 適合品
ELV AND RoHS COMPLIANT

16	32	28	34	502443-1570	15
12	30	26	32	502443-1470	14
12	28	24	30	502443-1370	13
12	26	22	28	502443-1270	12
12	20	16	22	502443-0970	9
12	18	14	20	502443-0870	8
10	16	12	18	502443-0770	7
8	14	10	16	502443-0670	6
6	12	8	14	502443-0570	5
4	10	6	12	502443-0470	4
2.9	8	4	10	502443-0370	3
3.7	6	2	8	502443-0270	2
D	C	B	A	EMBOSSED TAPE PACKAGE 注文番号 ORDER NO.	極数 CKT.NO.

番号 NO.	部品 PART	材質 MATERIAL
①	ハウジング HOUSING	耐熱性樹脂 UL94V-0 色 : ナチュラル HEATPROOF RESIN UL94V-0 COLOR:NATURAL
②	ターミナル TERMINAL	銅合金 COPPER ALLOY
		錫めっき : 1.0 micro-meter MIN. TIN (TAIL AREA) ニッケルめっき(下地) : 1.0 micro-meter MIN. NICKEL (UNDER PLATING)
③	ネイル NAIL	銅合金 COPPER ALLOY
		錫めっき : 1.0 micro-meter MIN. TIN ニッケルめっき(下地) : 1.0 micro-meter MIN. NICKEL (UNDER PLATING)

RELEASE STATUS	P1	RELEASE DATE	18.05.2016	09:36:32
----------------	----	--------------	------------	----------

THIS DRAWING CONTAINS INFORMATION THAT IS PROPRIETARY TO MOLEX ELECTRONIC TECHNOLOGIES, LLC AND SHOULD NOT BE USED WITHOUT WRITTEN PERMISSION

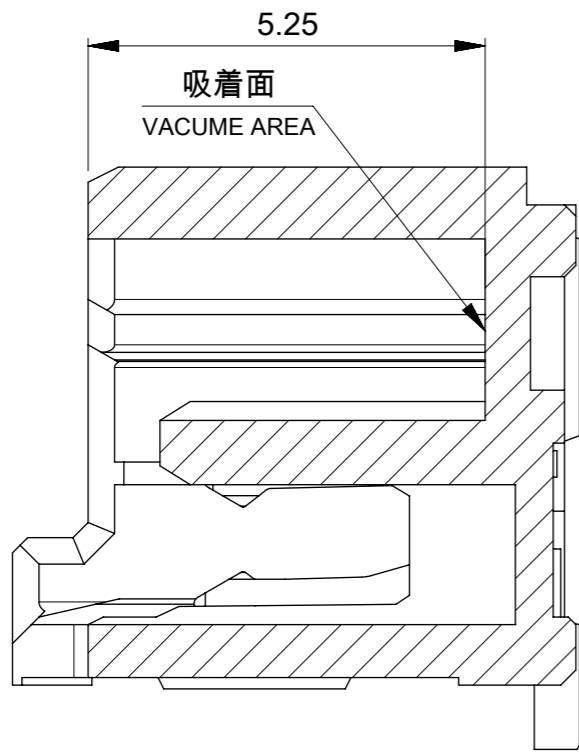
REVISED	2016/05/18	DRWN: AISHIKAWA	GENERAL TOLERANCES (UNLESS SPECIFIED)	DIMENSION UNITS	SCALE	
	2016/05/18	CHK'D: KOMURAKAMI		MM	4:1	
	2016/05/18	APPR: TKANEKO		ANGULAR TOL ± 3.0 °	DRWN BY	DATE
	EC NO: 105083	REV		4 PLACES ± 0.2	AISHIKAWA	2016/04/19
			3 PLACES ± 0.2	CHK'D BY	DATE	
			2 PLACES ± 0.2	KOMURAKAMI	2016/04/28	
			1 PLACE ± 0.2	APPR BY	DATE	
			0 PLACES ± 0.2	TKANEKO	2016/04/28	
			DRAFT WHERE APPLICABLE MUST REMAIN WITHIN DIMENSIONS	DRAWING SIZE	THIRD ANGLE PROJECTION	
				A3		

molex

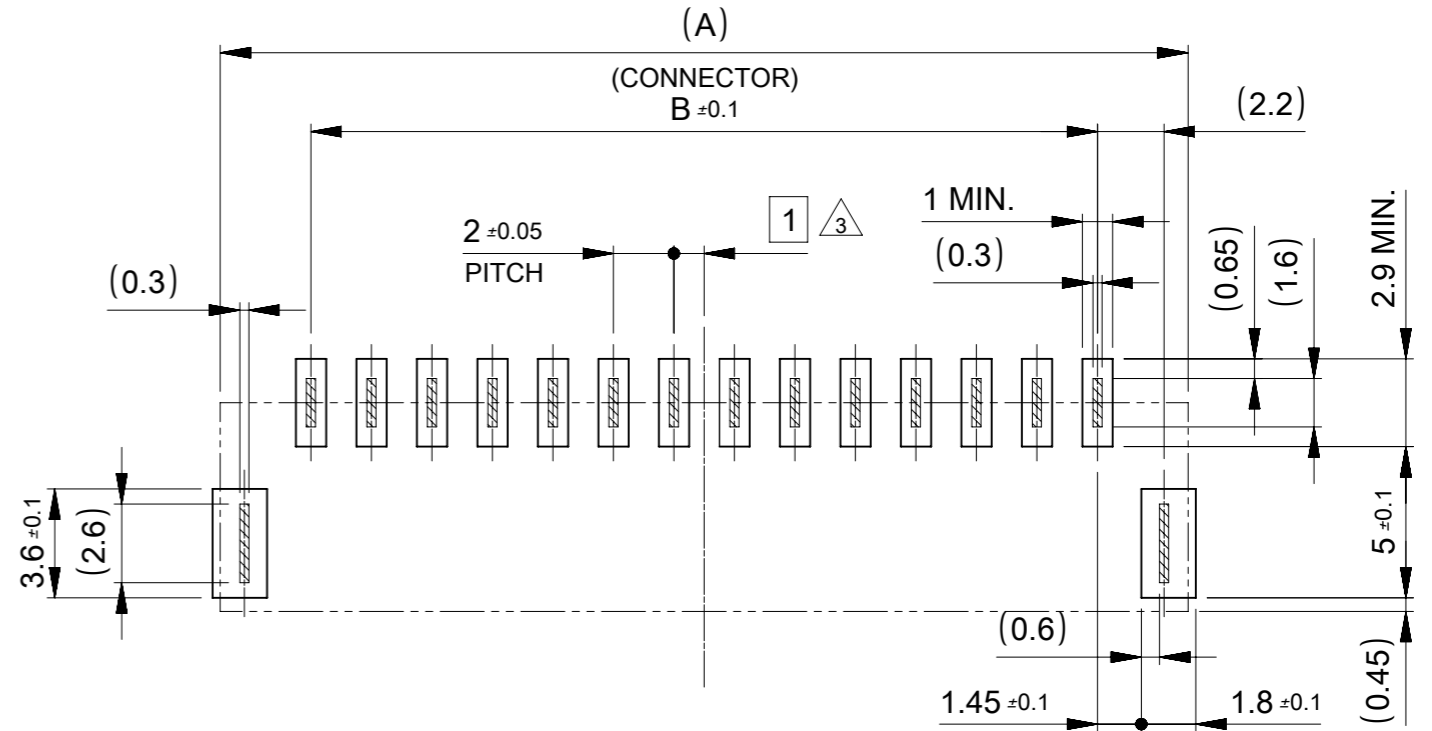
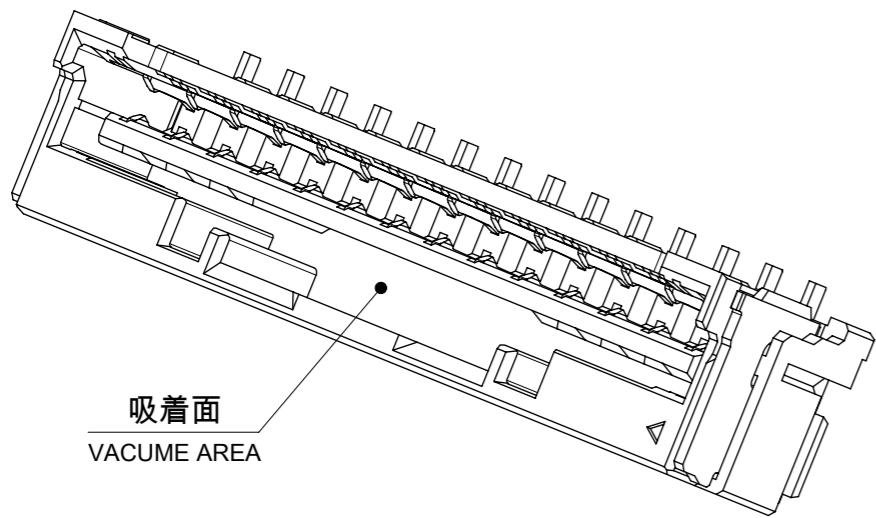
CLIK-MATE 2.0MM PITCH
W/B CONN. ST TYPE REC. ASSY 2-15CKT

PRODUCT CUSTOMER DRAWING

SERIES	MATERIAL NUMBER	CUSTOMER	
502443	SEE TABLE	GENERAL	
DOCUMENT NUMBER	DOC TYPE	DOC PART	SHEET NUMBER
5024431509	PSD	000	1 OF 2



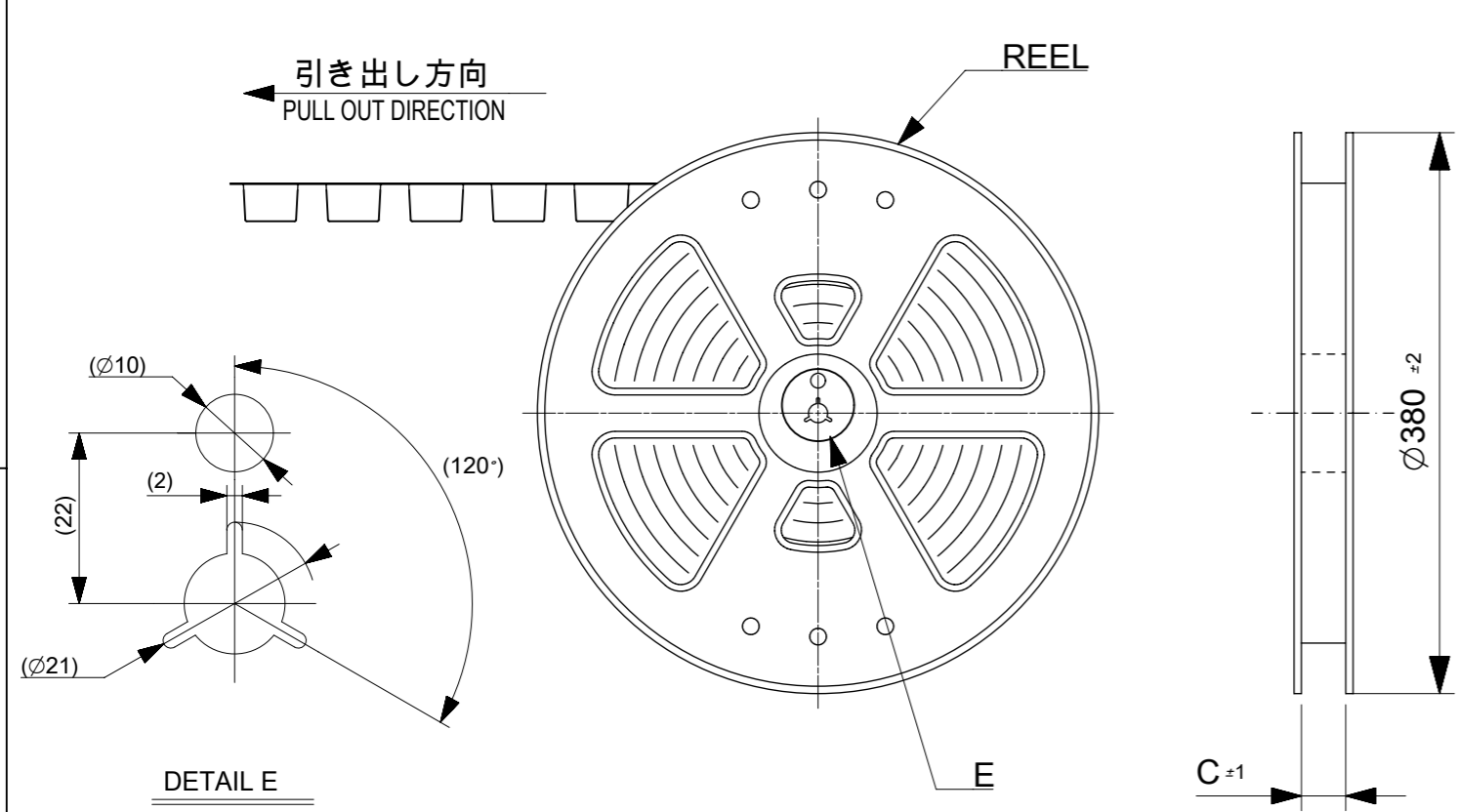
SECTION Y-Y
(SCALE :10-1)



基板パターンレイアウト(参考)
RECOMMENDED P.C.B PATTERN LAYOUT (REF.)

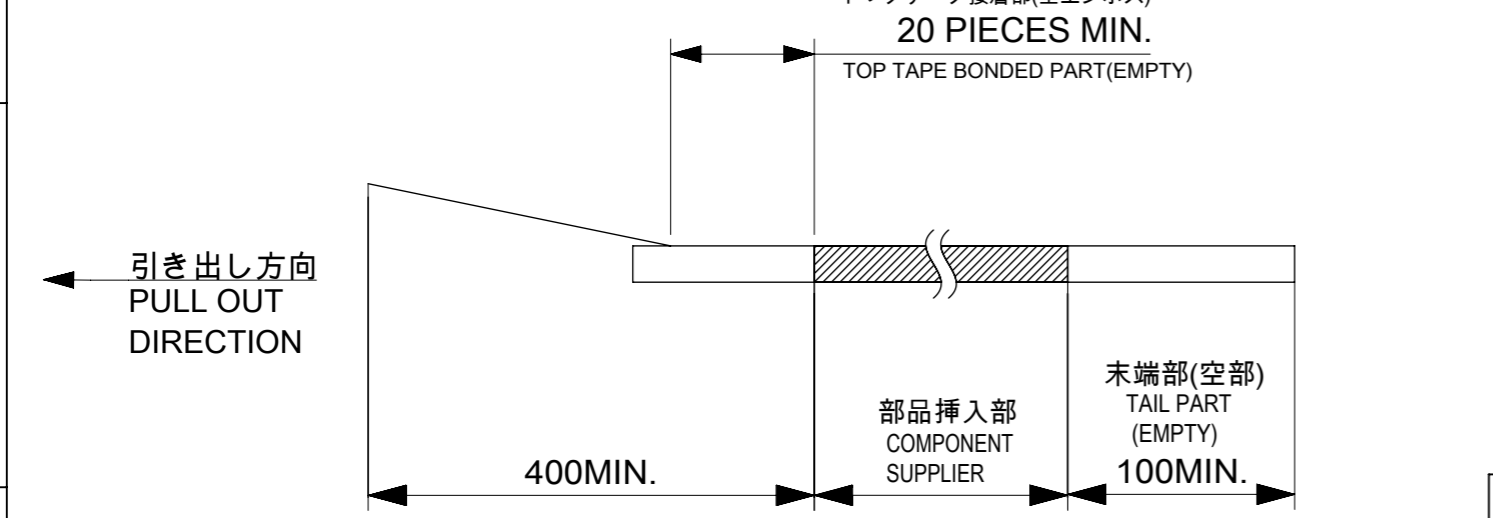
THIS DRAWING CONTAINS INFORMATION THAT IS PROPRIETARY TO MOLEX ELECTRONIC TECHNOLOGIES, LLC AND SHOULD NOT BE USED WITHOUT WRITTEN PERMISSION

REVISED	2016/05/18	GENERAL TOLERANCES (UNLESS SPECIFIED)		DIMENSION UNITS	SCALE		
	2016/05/18	ANGULAR TOL ± 3.0 °		MM	4:1		
	2016/05/18	4 PLACES ± 0.2	DRWN BY	DATE			
		3 PLACES ± 0.2	AISHIKAWA	2016/04/19			
		2 PLACES ± 0.2	CHK'D BY	DATE			
	1 PLACE ± 0.2	KOMURAKAMI	2016/04/28		CLIK-MATE 2.0MM PITCH W/B CONN. ST TYPE REC. ASSY 2-15CKT PRODUCT CUSTOMER DRAWING		
	0 PLACES ± 0.2	APPR BY	DATE				
		TKANEKO	2016/04/28				
		DRAWING SIZE	THIRD ANGLE PROJECTION				
		A3					
DRAFT WHERE APPLICABLE MUST REMAIN WITHIN DIMENSIONS				SERIES	MATERIAL NUMBER	CUSTOMER	
				502443	SEE TABLE	GENERAL	
				DOCUMENT NUMBER	DOC TYPE	DOC PART	SHEET NUMBER
				5024431509	PSD	000	2 OF 2



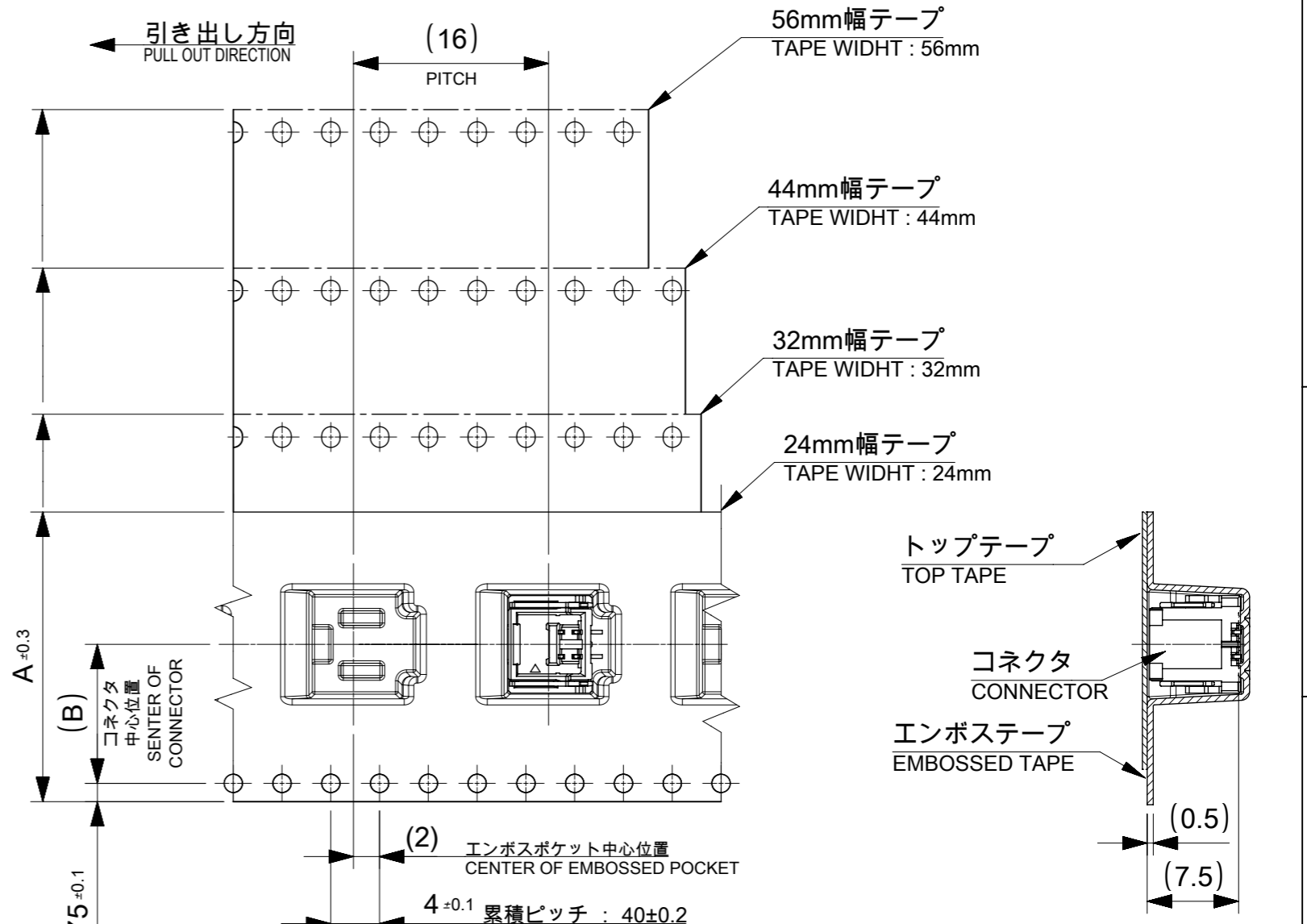
NOTE

- 製品詳細寸法については、5024431509PSD000を参照下さい。
PLEASE REFER TO 5024431509PSD000 FOR THE DETAILED DIMENSION OF THE CONNECTOR.
- 梱包数量：650個 / リール。
NUMBER OF CONNECTORS：650 PIECES/REEL
- リードテープ長さ
LEAD TAPE LENGTH



4. 材料
MATERIAL
キャリアテープ：ポリスチレン
CARRIER TAPE：POLYSTYRENE
トップテープ：ポリエステル、ポリエチレン、ポリエチレンテレフタレート
TOP TAPE：POLYESTER, POLYETHELENE, POLYETHYLENE TEREPHTHALATE
リール：ポリスチレン <リサイクル材を含む>
REEL：POLYSTYRENE <RECYCLE MATERIAL CONTAINED>

5. ELV 及び RoHS適合品
ELV AND RoHS COMPLIANT



57.5	26.2	56	502443-1570	15
57.5	26.2	56	502443-1470	14
45.5	20.2	44	502443-1370	13
45.5	20.2	44	502443-1270	12
45.5	20.2	44	502443-0970	9
45.5	20.2	44	502443-0870	8
33.5	14.2	32	502443-0770	7
33.5	14.2	32	502443-0670	6
25.5	11.5	24	502443-0570	5
25.5	11.5	24	502443-0470	4
25.5	11.5	24	502443-0370	3
25.5	11.5	24	502443-0270	2
C	B	エンボステーブ幅A WIDTH OF TAPE	製品番号 MATERIAL NO.	極数 CKT. NO.

THIS DRAWING CONTAINS INFORMATION THAT IS PROPRIETARY TO MOLEX ELECTRONIC TECHNOLOGIES, LLC AND SHOULD NOT BE USED WITHOUT WRITTEN PERMISSION

QUALITY SYMBOLS	REDRAWN AND REVISED 2016/04/19 2016/04/28 2016/04/28	GENERAL TOLERANCES (UNLESS SPECIFIED)	DIMENSION UNITS	SCALE
▽A = 0			MM	NTS
▽E = 0			DRWN BY	DATE
▽F = 0			AISHIKAWA	2016/04/19
▽ = 0	CHK'D BY	DATE		
▽ = 0	KOMURAKAMI	2016/04/28		
▽ = 0	APPR BY	DATE		
▽ = 0	TKANEKO	2016/04/28		
▽ = 0	DRAWING SIZE	THIRD ANGLE PROJECTION		
▽ = 0	A3			
▽ = 0	DRAFT WHERE APPLICABLE MUST REMAIN WITHIN DIMENSIONS			

molex			
CLIK-MATE 2.0MM PITCH W/B CONN. EMBOSSED TAPE PACKAGE FOR 502443			
PRODUCT CUSTOMER DRAWING			
SERIES	MATERIAL NUMBER	CUSTOMER	
502443	SEE TABLE	GENERAL	
DOCUMENT NUMBER		DOC TYPE	DOC PART
5024431570		PSD	000
SHEET NUMBER		SHEET NUMBER	
1 OF 1		1 OF 1	