

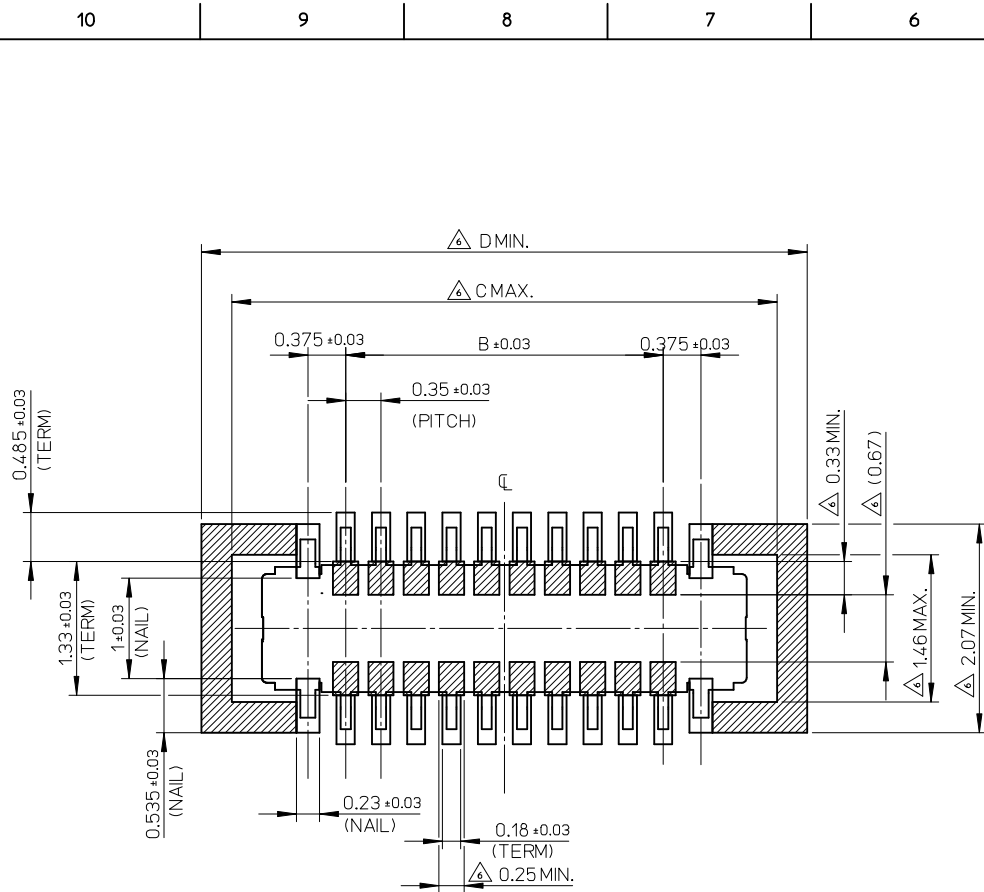
NOTES

1. MATERIAL
 WAFER : LIQUID CRYSTAL POLYMER UL94V-0(COLOR : BLACK)
 TERMINAL : COPPER ALLOY
 FITTING NAIL : COPPER ALLOY
2. PLATING
 TERMINAL :
 GOLD / UNDER PLATING : NICKEL
 *DIVIDE INTO PARTS THE GOLD PLATING OF THE CONTACT AND THE TAIL PART BY THE NICKEL PLATING.
3. FITTING NAIL :
 GOLD / UNDER PLATING : NICKEL
 *DIVIDE INTO PARTS THE GOLD PLATING OF THE CONTACT AND THE TAIL PART BY THE NICKEL PLATING.
 *EVEN THOUGH GOLD PLATING ON THE TOP SURFACE OF NAIL MIGHT BE THIN, NO FUNCTIONAL PROBLEM.
4. APPLY FOR (CIRCUIT/2)=EVEN.
5. MATE WITH : 505066-**10
6. TAIL AND FITTING NAIL COPLANARITY TO BE 0.08MAXIMUM.
7. PROHIBITED AREA OF PATTERN WIRING AND SOLDER.
 (FOR EACH AREA, THE WIRING THAT TOUCHES ON THE SOLDER CAN BE ATTACHED, THEN COVERED WITH A FILM TO KEEP SOLDER OUT.)
8. ELV and RoHS COMPLIANT.

3.56	2.96	0.70	2.36	505070-0610	O	---	6
D	C	B	A	EMBOSSED TAPE PACKAGE	HIGH VOL. TOOL	LOW VOL. TOOL	CIRCUIT
				ORDER NO.	SAMPLE PREPARATION O : TOOLED Δ : WORK IN PROCESS --- : TOOLING TO BE CONFIRMED		

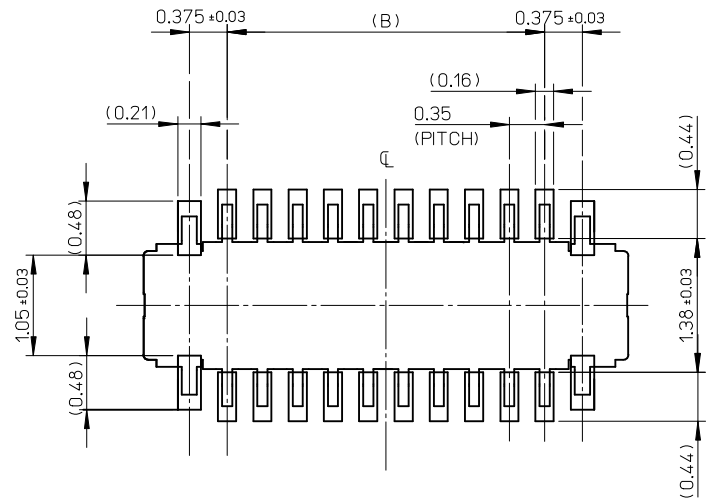
CONNECTOR SERIES No. : 505070-**09

REVISED EC NO: J2016-1010 DRWN:MIT001 CHKD:TASAKAWA APPR:KMORIKAWA	GENERAL TOLERANCES (UNLESS SPECIFIED)		DIMENSION STYLE MM ONLY		SCALE 20:1	DESIGN UNITS METRIC	THIRD ANGLE PROJECTION
	0.25 UNDER	±0.03	DRAWN BY	DATE	TITLE		
	0.25 OVER 0.5 UNDER	±0.05	KSASAKI	2014/04/15	0.35 BB CONN. H=0.6 SSB6 RP PLUG ASSY		
	0.5 OVER 1.0 UNDER	±0.1	CHECKED BY	DATE	molex DOCUMENT NO. SD-505070-001 SHEET NO. 1 OF 2		
1.0 OVER 30 UNDER	±0.2	KTANAKA03	2014/04/15				
30 OVER	±0.25	APPROVED BY	DATE				
	±0.3	KMORIKAWA	2014/05/02				
	ANGULAR ±1 °	MATERIAL NO.		SEE CHART			
DRAFT WHERE APPLICABLE MUST REMAIN WITHIN DIMENSIONS		SIZE A3	THIS DRAWING CONTAINS INFORMATION THAT IS PROPRIETARY TO MOLEX ELECTRONIC TECHNOLOGIES, LLC AND SHOULD NOT BE USED WITHOUT WRITTEN PERMISSION				



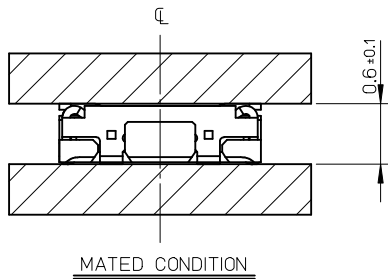
RECOMMENDED P.W.BOARD PATTERN LAYOUT (REFERENCE)

△ PROHIBITED AREA OF PATTERN WIRING AND SOLDER.
(FOR EACH AREA, THE WIRING THAT TOUCHES ON THE SOLDER
CAN BE ATTACHED, THEN COVERED WITH A FILM TO KEEP SOLDER OUT.)



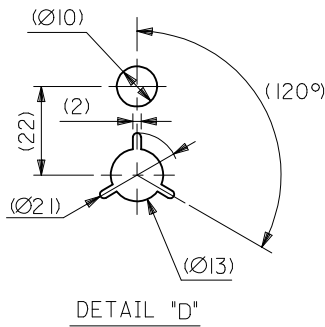
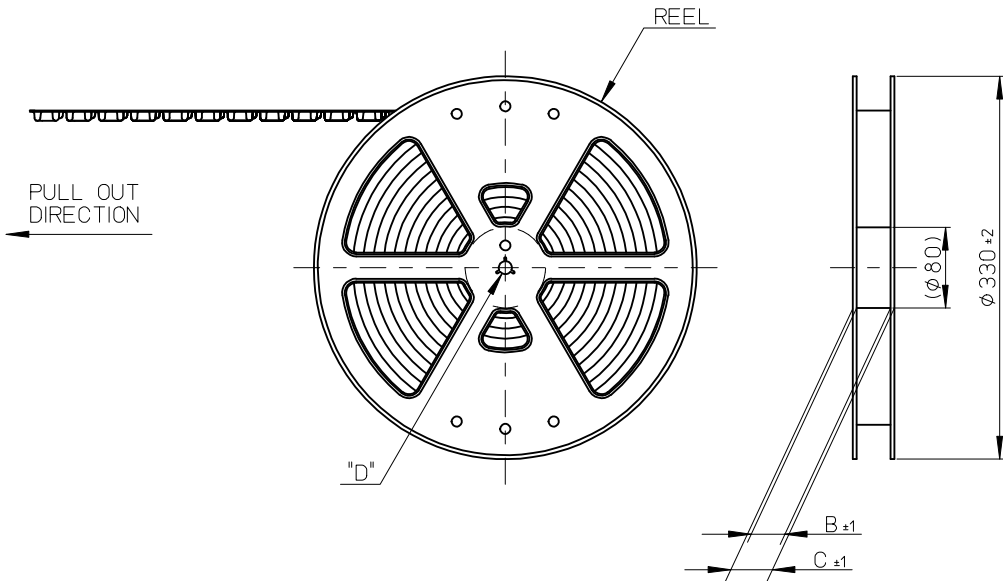
RECOMMENDED METAL MASK LAYOUT (REFERENCE)

RECOMMENDED THICKNESS OF METAL MASK : t=0.08mm
RECOMMENDED OPEN APERTURE RATIO OF METAL MASK : 80%



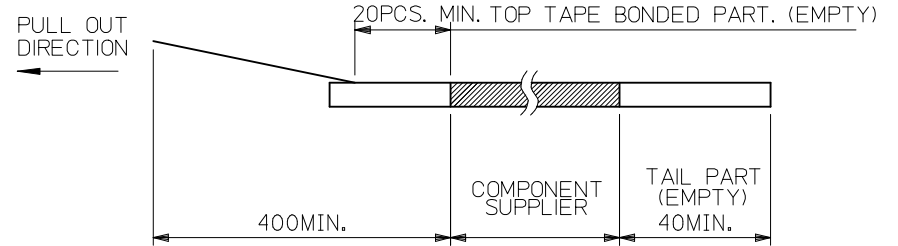
MATED CONDITION

REVISED EC NO: J2016-1010 DRWN: MIT001 CHKD: TASAKAWA APPR: KMORIKAWA	2016/03/30	2016/03/30	2016/03/31	GENERAL TOLERANCES (UNLESS SPECIFIED)		DIMENSION STYLE MM ONLY		SCALE 20:1	DESIGN UNITS METRIC	THIRD ANGLE PROJECTION
	0.25 UNDER	± 0.03	DRAWN BY KSASAKI		DATE 2014/04/15	TITLE 0.35 BB CONN. H=0.6 SSB6 RP PLUG ASSY				
	0.25 OVER 0.5 UNDER	± 0.05	CHECKED BY KTANAKA03		DATE 2014/04/15					
	0.5 OVER 1.0 UNDER	± 0.1	APPROVED BY KMORIKAWA		DATE 2014/05/02					
	1.0 OVER 10 UNDER	± 0.2	MATERIAL NO.		DOCUMENT NO.		SHEET NO.			
10 OVER 30 UNDER	± 0.25	SEE SHEET1		SD-505070-001		2 OF 2				
30 OVER	± 0.3	DRAFT WHERE APPLICABLE MUST REMAIN WITHIN DIMENSIONS		THIS DRAWING CONTAINS INFORMATION THAT IS PROPRIETARY TO MOLEX ELECTRONIC TECHNOLOGIES, LLC AND SHOULD NOT BE USED WITHOUT WRITTEN PERMISSION						
ANGULAR	± 1 °	SIZE A3								



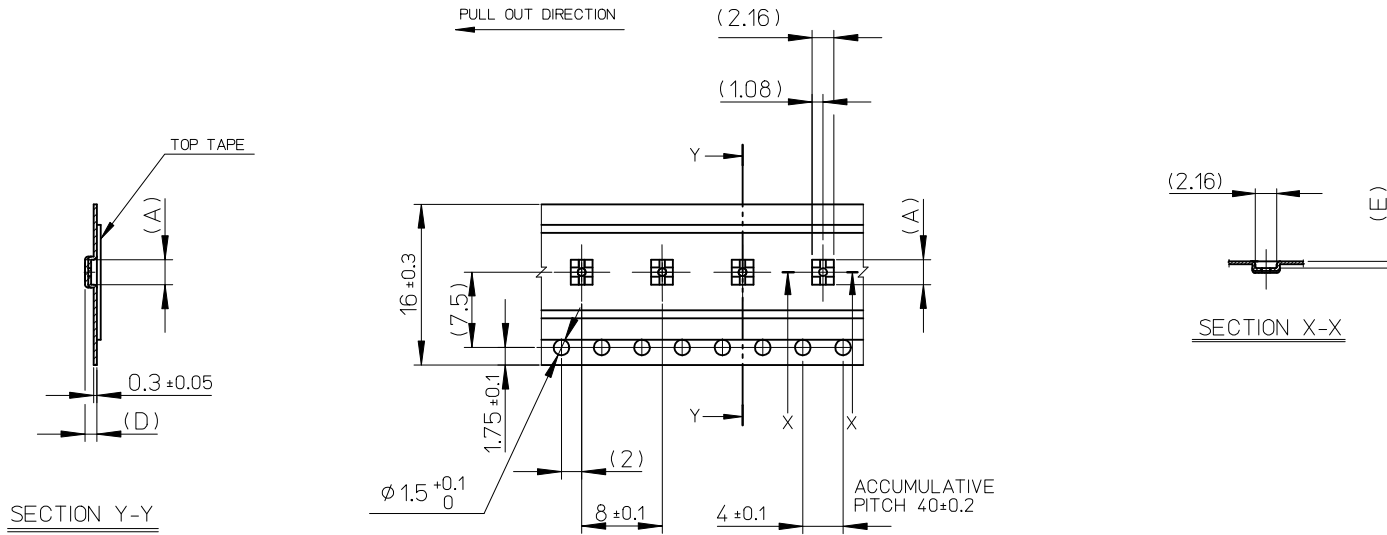
NOTES

1. RE DETAILED DIMENSION, SEE PRODUCT DRAWING.
2. NUMBER OF CONNECTORS : 3000PCS/REEL
3. LEAD TAPE LENGTH



4. TOP TAPE PEEL FORCE IS DEFINED BY IEC60286-3.
5. MATERIAL
CARRIER TAPE : POLYSTYRENE
TOP TAPE : PET , OTHER
REEL : POLYSTYRENE (PS) <RECYCLE MATERIAL CONTAINED>
6. ELV AND RoHS COMPLIANT

REVISED EC NO: J2016-1010 DRWN:MITO01 2016/03/30 CHKD:TASAKAWA 2016/03/30 APPR:KMORIKAWA 2016/03/31	GENERAL TOLERANCES (UNLESS SPECIFIED)		DIMENSION STYLE		MODEL NO.	505066-**10
	0.25 UNDER		MM ONLY		DESIGN UNITS	METRIC
	0.25 OVER 0.5 UNDER		DRAWN BY DATE		THIRD ANGLE PROJECTION 0.35 BB CONN. H=0.6 SSB6 RP PLUG ASSY EMBSTP PKG	
	0.5 OVER 1.0 UNDER		KSASAKI 2014/03/10			
	1.0 OVER 10 UNDER		CHECKED BY DATE		molex SD-505070-002	
	10 OVER 30 UNDER		KTANAKA03 2014/03/10			
30 OVER		APPROVED BY DATE		DOCUMENT NO.	SHEET NO.	
ANGULAR ±1 °		KMORIKAWA 2014/08/01		SEE CHART		1 OF 2
DRAFT WHERE APPLICABLE MUST REMAIN WITHIN DIMENSIONS		SIZE	THIS DRAWING CONTAINS INFORMATION THAT IS PROPRIETARY TO MOLEX ELECTRONIC TECHNOLOGIES, LLC AND SHOULD NOT BE USED WITHOUT WRITTEN PERMISSION			
		A3				



16	0.66	1.16	2.14	17.4	2.43	505070-0610	0	---	6						
キャリアテープ幅 CARRIER TAPE WIDTH							(E)	(D)	C	B	(A)	MATERIAL No.	HIGH VOL. TOOL	LOW VOL. TOOL	CIRCUIT
											SAMPLE PREPARATION				

REVISED EC NO: J2016-1010 DRWNR: IT001 CHKD: TASAKAWA APPR: KMORIKAWA	DESCRIPTION 2016/03/30 2016/03/30 2016/03/31	GENERAL TOLERANCES (UNLESS SPECIFIED)			DIMENSION STYLE MM ONLY		SCALE 2:1	DESIGN UNITS METRIC	THIRD ANGLE PROJECTION			
		0.25 UNDER	± 0.03	DRAWN BY		DATE	TITLE					
		0.25 OVER	0.5 UNDER	± 0.05	KSASAKI		2014/03/10	0.35 BB CONN. H=0.6 SSB6 RP PLUG ASSY EMBSTP PKG				
		0.5 OVER	1.0 UNDER	± 0.1	CHECKED BY		DATE					
		1.0 OVER	10 UNDER	± 0.2	KTANAKA03		2014/03/10	molex				
10 OVER	30 UNDER	± 0.25	APPROVED BY		DATE							
30 OVER	± 0.3	MATERIAL NO.		KMORIKAWA		2014/08/01	DOCUMENT NO.		SHEET NO.			
ANGULAR			± 1 °	SEE CHART			SD-505070-002			2 OF 2		
DRAFT WHERE APPLICABLE MUST REMAIN WITHIN DIMENSIONS				SIZE A3	THIS DRAWING CONTAINS INFORMATION THAT IS PROPRIETARY TO MOLEX ELECTRONIC TECHNOLOGIES, LLC AND SHOULD NOT BE USED WITHOUT WRITTEN PERMISSION							