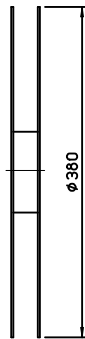
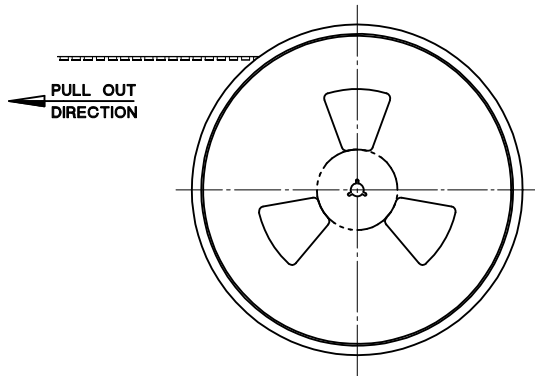


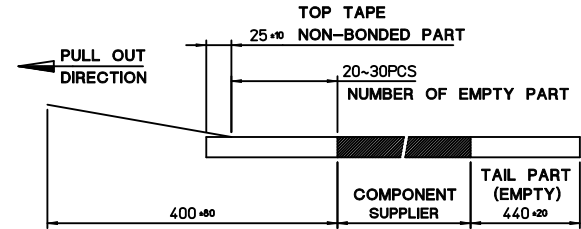
⑨	SPRING	49225-9001	STAINLESS STEEL	
⑧	PIN ROD	49225-9002	STAINLESS STEEL	
⑦	STOPPER TERMINAL	49772-8003	PHOS.-BRONZE	PURE-Sn over Ni
⑥	GND. TERMINAL	49771-8003	PHOS.-BRONZE	Selective-Au over Ni
⑤	SWITCH TERMINAL	49770-8003	PHOS.-BRONZE	Selective-Au over Ni
④	HEART CAM	49355-0001	LIQUID CRYSTAL POLYMER	Natural Color
③	HOUSING	49225-0891	LIQUID CRYSTAL POLYMER	
②	METAL SHELL	49769-5003	STAINLESS STEEL	Selective-Au over Ni
①	CONTACT TERMINAL 1,2,3	49768-8*30	PHOS.-BRONZE	Selective-Au over Ni
NO.	DESCRIPTION	ENGINEERING NO.	MATERIALS	FINISHES

REVISED EC NO: DRWN: SUNGHYUK JOO 2010/02/23 CHKD: YSOOK IM APPR:	DESCRIPTION REV	QUALITY SYMBOLS	GENERAL TOLERANCES (UNLESS SPECIFIED)	DIMENSION STYLE	SCALE	DESIGN UNITS	THIRD ANGLE PROJECTION
		▽=0 ∇=0	mm INCH	MM ONLY	5:1	METRIC	
		4 PLACES ± --- ± --- 3 PLACES ± --- ± --- 2 PLACES ± 0.15 ± --- 1 PLACE ± 0.20 ± --- ANGULAR ± 1 °	DRAWN BY S.H. JOO DATE 2005/09/14 CHECKED BY DATE APPROVED BY S.J. SEH DATE 2005/09/14 MATERIAL NO.	TITLE M-SD MEMORY CARD SOCKET P/P.REVERSE, WITH SWT LOW RETENTION FORCE MOLEX INCORPORATED	SHEET NO. 2 OF 3		
		DRAFT WHERE APPLICABLE MUST REMAIN WITHIN DIMENSIONS	SEE TABLE THIS DRAWING CONTAINS INFORMATION THAT IS PROPRIETARY TO MOLEX INCORPORATED AND SHOULD NOT BE USED WITHOUT WRITTEN PERMISSION	DOCUMENT NO. SD-49225-201	SHEET NO. 2 OF 3		



NOTES

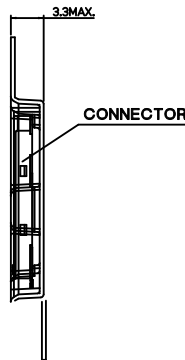
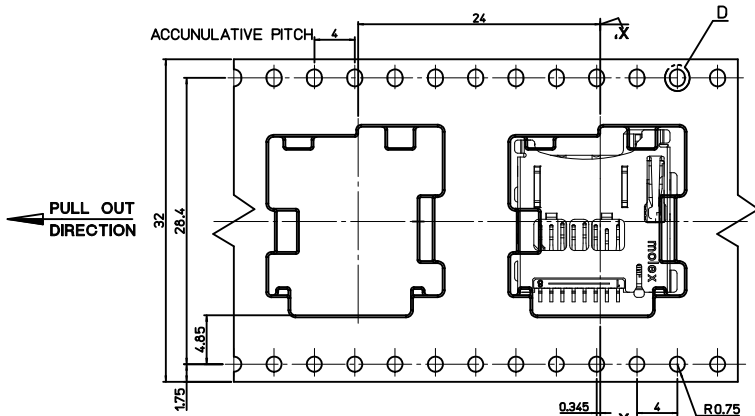
- 1. QUANTITY OF CONNECTORS : 1,100PCS/REEL
- 2. LEAD LENGTH



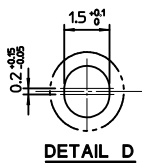
- 3. PEELING OFF FORCE OF COVER TAPE : 0.1N~0.59N(10.2GF~60GF)
(PEELING DIRECTION AS SHOW IN FOLLOW FIG.)
- PEELING OFF SPEED : 300mm/MIn.(Ref.)



35902-1011	35908-1003	35902-2108	49225-0811	492250817	49225-0817	8
COVER TAPE	REEL	EMBOSSSED TAPE	CONNECTOR	MATERIAL NO.	ENG. NO.	CKT



DIRECTION OF CONNECTOR IN EMBOSSSED TAPE



REVISED EC NO: DRWN: SUNGHYUK.00 2010/02/23 CHKD: YS00KIM APPR:	DESCRIPTION	QUALITY SYMBOLS	GENERAL TOLERANCES (UNLESS SPECIFIED)	DIMENSION STYLE	SCALE	DESIGN UNITS	THIRD ANGLE PROJECTION													
		<p>▽=0</p> <p>∠=0</p>	<table border="1"> <tr> <td></td> <td>mm</td> <td>INCH</td> </tr> <tr> <td>4 PLACES</td> <td>± ---</td> <td>± ---</td> </tr> <tr> <td>3 PLACES</td> <td>± ---</td> <td>± ---</td> </tr> <tr> <td>2 PLACES</td> <td>± 0.15</td> <td>± ---</td> </tr> <tr> <td>1 PLACE</td> <td>± 0.20</td> <td>± ---</td> </tr> </table>		mm	INCH	4 PLACES	± ---	± ---	3 PLACES	± ---	± ---	2 PLACES	± 0.15	± ---	1 PLACE	± 0.20	± ---	MM ONLY	2:1
	mm	INCH																		
4 PLACES	± ---	± ---																		
3 PLACES	± ---	± ---																		
2 PLACES	± 0.15	± ---																		
1 PLACE	± 0.20	± ---																		
REV	DESCRIPTION	DRAFT WHERE APPLICABLE MUST REMAIN WITHIN DIMENSIONS		DRAWN BY	DATE	TITLE														
				S. H. JOO	2005/09/14	M-SD MEMORY CARD SOCKET P/P.REVERSE.WITH SWT LOW RETENTION FORCE														
		ANGULAR ± 1 °		CHECKED BY	DATE	MOLEX INCORPORATED														
				APPROVED BY	DATE	DOCUMENT NO.														
				S. J. SEH	2005/09/14	SD-49225-201														
				MATERIAL NO.	SHEET NO.															
				SEE TABLE	3 OF 3															
				SIZE	THIS DRAWING CONTAINS INFORMATION THAT IS PROPRIETARY TO MOLEX INCORPORATED AND SHOULD NOT BE USED WITHOUT WRITTEN PERMISSION															
				A3																

9	SPRING	49225-9001	STAINLESS STEEL	
8	PIN ROD	49225-9002	STAINLESS STEEL	
7	STOPPER TERMINAL	49772-8003	PHOS.-BRONZE	PURE-Sn over Ni
6	GND. TERMINAL	49771-8003	PHOS.-BRONZE	Selective-Au over Ni
5	SWITCH TERMINAL	49770-8003	PHOS.-BRONZE	Selective-Au over Ni
4	HEART CAM	49355-0001	LIQUID CRYSTAL POLYMER	Natural Color
3	HOUSING	49225-0891	LIQUID CRYSTAL POLYMER	
2	METAL SHELL	49769-5003	STAINLESS STEEL	Selective-Au over Ni
1	CONTACT TERMINAL 1,2,3	49768-8*30	PHOS.-BRONZE	Selective-Au over Ni
NO.	DESCRIPTION	ENGINEERING NO.	MATERIALS	FINISHES

DWG. NO. SD-49225-201

SIMILAR ITEM

PROJECT NO. C

B

DO NOT SCALE DRAWING DIMENSION IN METRIC

F

E

D

C

B

A

NEW RELEASE ECN NO. KOR2007-0077 DRWN: S.H.JOO 08/12/29 CHK: APPR: S.J.SEH	QUALITY SYMBOLS MAJOR $\blacktriangledown = 0$ CRITICAL $\blacktriangledown C = 0$	GENERAL TOLERANCES: (UNLESS SPECIFIED)		SCALE 5 / 1	DESIGN UNITS <input checked="" type="checkbox"/> mm <input type="checkbox"/> INCH	THIRD ANGLE PROJECTION <input checked="" type="checkbox"/> <input type="checkbox"/>	DIMENSIONS: <input type="checkbox"/> mm <input type="checkbox"/> INCH <input checked="" type="checkbox"/> mm ONLY		SHT	REV
		4 PLACES	$\pm 0.$	\pm	DRAWN BY & DATE S.H.JOO 05/09/14		TITLE: microSD MEMORY CARD SOCKET PUSH-PUSH / REVERSE TYPE / WITH SWITCH (LOW RETENTION FORCE VERSION)			
		3 PLACES	$\pm 0.$	\pm	CHECKED BY & DATE S.H.JOO					
		2 PLACES	± 0.15	\pm	APPROVED BY & DATE S.J.SEH		MOLEX INCORPORATED		CAD FILENAME	
1 PLACE	± 0.2	\pm	ANGULAR: \pm °	SD49225002.MI	SEE TABLE	SD-49225-201			1 OF 2	
DRAFT WHERE APPLICABLE MUST REMAIN WITHIN DIMENSIONS		THIS DRAWING CONTAINS INFORMATION THAT IS PROPRIETARY TO MOLEX INCORPORATED AND SHOULD NOT BE USED WITHOUT WRITTEN PERMISSION.						SIZE B		