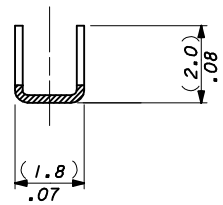
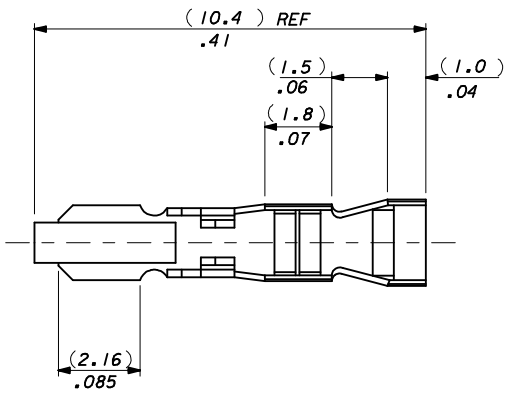


NOTES:

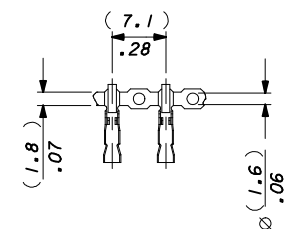
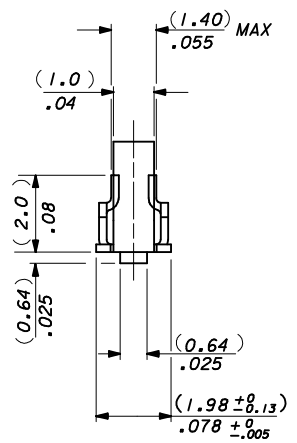
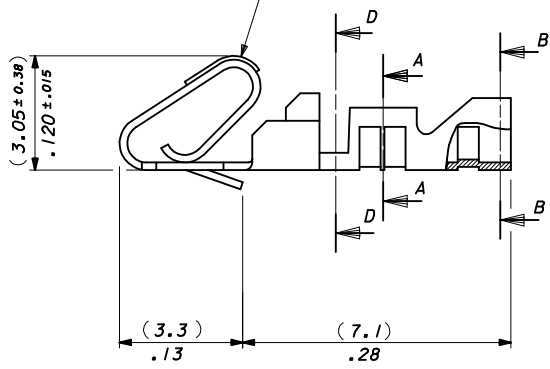
1. MATERIAL: (0.21)/.008 THICK BRASS.
2. FINISH: SEE SHEET 2.
3. THIS PART CONFORMS TO PRODUCT SPEC. 99020-0088.
4. TERMINAL MUST MEET BEND SPEC. SDES-219.
5. SUITABLE FOR 22-30 GA. WIRE, (1.57)/.062 MAX. INSULATION.
6. THIS PART CONFORMS TO CLASS B REQUIREMENTS OF COSMETIC SPECIFICATION PS-45499-002.



SECTION D-D
(4809-1T ONLY)



SELECTIVE PLATING AREA,
SEE CHART

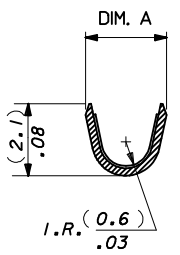


CARRIER STRIP DETAIL
SCALE 2:1

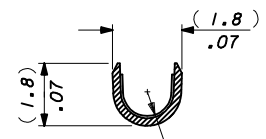
4809-(*)** *

- BLANK : DIM. A = (2.1) / 1.083 REF.
- M: DIM A = (2.2) / .087 REF.
- BLANK=CHAIN FORM TOP FEEDING REEL
- L=LOOSE FORM

PLATING CODE



SECTION B-B



SECTION A-A

SELECT GOLD AREA EC NO: UCP2013-5411 DRWN:KIPPER CHKD:JBELL APPR:FSMITH	2013/06/14 2013/06/17 2013/06/28	QUALITY SYMBOLS ∇=0 ∇=0 ∇=0	GENERAL TOLERANCES (UNLESS SPECIFIED)		DIMENSION STYLE	SCALE	DESIGN UNITS	THIRD ANGLE PROJECTION	
					MM/IN	10:1	METRIC		
			4 PLACES ± ---	± ---	DRAWN BY	DATE	ANTI-FISH HOOKING TERMINAL KK.(2.50)/.100 molex DOCUMENT NO. SD-4809-* SHEET NO. 1 OF 2		
			3 PLACES ± ---	± .010	CHECKED BY	DATE			
2 PLACES ± 0.25	± .014	DMORIARTY	2004/10/18						
1 PLACE ± 0.35	± ---	APPROVED BY	DATE						
0 PLACE ±	±	JDENNEY	2004/10/19	MATERIAL NO.		SIZE			
ANGULAR ± ---°		DRAFT WHERE APPLICABLE MUST REMAIN WITHIN DIMENSIONS		SEE CHART					

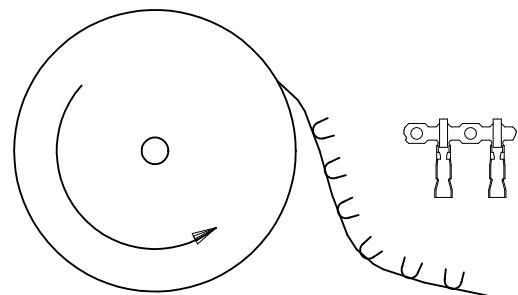
FINISH NOTES*

(550) GOLD PLATE (0.00038)/.000015 MIN. OVER (0.00076)/.000030 MIN. NICKEL

IN CONTACT AREA WITH (0.00005)/.000002 MIN. GOLD FLASH OVERALL.

(555) SELECTIVE GOLD (0.00038)/.000015 MIN. OVER (0.00076)/.000030 MIN. NICKEL IN CONTACT AREA ONLY.

(P918) HOT TIN DIP (0.00102-0.00305)/.000040-.000120



TERMINALS FEEDING FROM THE TOP OF THE REEL ARE STANDARD WOUND

08-55-0110	4809-(555)	CHAIN	(555)	(2.45 - 1.75)/ .096 - .069
08-55-0111	↑ -(555)L	LOOSE		
08-56-0120	-(550)	CHAIN	(550)	(2.45 - 1.75)/ .096 - .069
08-56-0115	↓ -(550)L	LOOSE		
08-50-0135	↓ -(P918)	CHAIN	(P918)	(2.45 - 1.75)/ .096 - .069
08-50-0136	4809 - (P918) L	LOOSE		
PART No	ENG No	FORM	FINISH	DIM . A
TOP FEEDING REELS ONLY				

CORRECT PLATING EC NO: UCP2011-2131 DRW:NCSTEWART 2011/01/18 CHKD:HKIPPER 2011/01/26 APPR:FSMLTH 2011/02/04	QUALITY SYMBOLS	GENERAL TOLERANCES (UNLESS SPECIFIED)	DIMENSION STYLE	SCALE	DESIGN UNITS	THIRD ANGLE PROJECTION	
	▽=0	mm INCH	MM/IN	NTS	METRIC		
	▽=0	4 PLACES ± --- ± ---	DRAWN BY DATE	MCC 1986/07/30	TITLE		ANTI-FISH HOOKING TERMINAL KK,(2.50)/.100
	▽=0	3 PLACES ± --- ±.010	CHECKED BY DATE	DMORIART 2004/10/18	MATERIAL NO.		SD-4809-*
	2 PLACES ± 0.25 ±.014	APPROVED BY DATE	JDENNEHY 2004/10/19	DOCUMENT NO.		2 OF 2	
	1 PLACE ± 0.35 ± ---	DRAFT WHERE APPLICABLE MUST REMAIN WITHIN DIMENSIONS		SEE CHART		THIS DRAWING CONTAINS INFORMATION THAT IS PROPRIETARY TO MOLEX INCORPORATED AND SHOULD NOT BE USED WITHOUT WRITTEN PERMISSION	
AM	REV	SIZE					