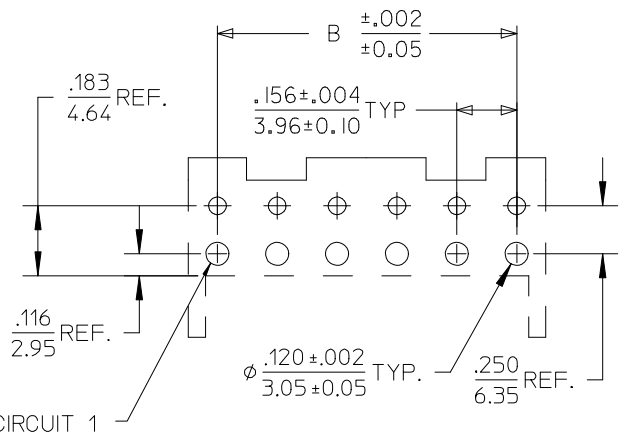


NOTES:

- HOUSING MATERIAL: NYLON, UL 94V-2
- FINISH:
 - (909) = OVERALL HOT TIN DIP: .000100/0.00254 MIN.
 - (197) = OVERALL REFLOWED MATTE TIN: 0.00152/.000060 MIN. OVER 0.00127/.000050 MIN. NICKEL OVERALL.
 - (208) = SELECT GOLD: .000015/0.00038 MIN. SELECT TIN: .000100/0.00254 MIN. OVERALL NICKEL UNDERPLATE: .000050/0.00127 MIN.
- PRODUCT SPECIFICATION: PS-08-50
- PACKAGING INFO: SEE CHARTS
- SOLDERABILITY SPECIFICATION: SMES-152
- RIGHT ANGLE OPTIONS SEE DRAWING SDA-2145-001
- BOTTOM ENTRY OPTIONS SEE DRAWING SDA-2145-003
- .183/4.64 DIMENSION IS BOTTOM OF HOUSING TO CENTER OF MATING PIN AND DOES NOT REFLECT CENTER OF CONNECTOR HOUSING WINDOW DIMENSION.
- THIS PART CONFORMS TO CLASS B REQUIREMENTS OF COSMETIC SPECIFICATION PS-45499-002.
- DIMENSION "C" MEASURED WITH TERMINAL PUSHED IN AGAINST THE STOP.

CKT	A	B	CENTER HOOK(S) LOCATED BETWEEN CIRCUITS
02	.308 7.82	.156±.005 3.96±0.13	NONE
03	.464 11.79	.312±.005 7.92±0.13	NONE
04	.620 15.75	.468±.005 11.89±0.13	NONE
05	.776 19.71	.624±.005 15.85±0.13	NONE
06	.932 23.67	.780±.005 19.81±0.13	NONE
07	1.088 27.64	.936±.010 23.77±0.25	NONE
08	1.244 31.60	1.092±.010 27.74±0.25	4 & 5
09	1.400 35.56	1.248±.010 31.70±0.25	4 & 5
10	1.556 39.52	1.404±.010 35.66±0.25	5 & 6
11	1.712 43.48	1.560±.010 39.62±0.25	5 & 6
12	1.868 47.45	1.716±.010 43.59±0.25	4 & 5, 8 & 9
13	2.024 51.41	1.872±.010 47.55±0.25	6 & 7, 11 & 12
14	2.180 55.37	2.028±.014 51.51±0.36	5 & 6, 9 & 10
15	2.336 59.33	2.184±.014 55.47±0.36	5 & 6, 10 & 11



PCB LAYOUT: COMPONENT SIDE
RECOMMENDED PCB THICKNESS: .062/1.57

2-4	AA
1	AA
SHT.	REV.

DIM "C" TOLERANCE EC NO: UCP2016-2492 DRWN:GES 2015/12/17 CHKD:MKLIPPER 2016/01/27 APPR:FSMITH 2016/08/25 DESCRIPTION AA REV	QUALITY SYMBOLS	GENERAL TOLERANCES (UNLESS SPECIFIED)	DIMENSION STYLE IN/MM	SCALE	DESIGN UNITS INCH	THIRD ANGLE PROJECTION																													
	$\nabla = 0$ $\nabla = 0$ $\nabla = 0$	<table border="1"> <thead> <tr><th></th><th>mm</th><th>INCH</th></tr> </thead> <tbody> <tr><td>4 PLACES</td><td>± ---</td><td>± ---</td></tr> <tr><td>3 PLACES</td><td>± ---</td><td>± .010</td></tr> <tr><td>2 PLACES</td><td>± 0.25</td><td>± .014</td></tr> <tr><td>1 PLACE</td><td>± 0.36</td><td>± ---</td></tr> <tr><td>0 PLACE</td><td>± ---</td><td>± ---</td></tr> </tbody> </table>		mm	INCH	4 PLACES	± ---	± ---	3 PLACES	± ---	± .010	2 PLACES	± 0.25	± .014	1 PLACE	± 0.36	± ---	0 PLACE	± ---	± ---	<table border="1"> <thead> <tr><th>DRAWN BY</th><th>DATE</th></tr> </thead> <tbody> <tr><td>SAMIEC</td><td>2003/01/16</td></tr> <tr><th>CHECKED BY</th><th>DATE</th></tr> <tr><td>SAMIEC</td><td>2003/01/16</td></tr> <tr><th>APPROVED BY</th><th>DATE</th></tr> <tr><td>FSMITH</td><td>2016/08/25</td></tr> </tbody> </table>	DRAWN BY	DATE	SAMIEC	2003/01/16	CHECKED BY	DATE	SAMIEC	2003/01/16	APPROVED BY	DATE	FSMITH	2016/08/25	TITLE	KK 156 HOUSING ASSY PC TAIL TOP ENTRY molex DOCUMENT NO. SDA-2145-002 SHEET NO. 1 OF 4
		mm	INCH																																
	4 PLACES	± ---	± ---																																
3 PLACES	± ---	± .010																																	
2 PLACES	± 0.25	± .014																																	
1 PLACE	± 0.36	± ---																																	
0 PLACE	± ---	± ---																																	
DRAWN BY	DATE																																		
SAMIEC	2003/01/16																																		
CHECKED BY	DATE																																		
SAMIEC	2003/01/16																																		
APPROVED BY	DATE																																		
FSMITH	2016/08/25																																		
ANGULAR ±1/2°	DRAFT WHERE APPLICABLE MUST REMAIN WITHIN DIMENSIONS	SEE CHART																																	
		SIZE A																																	
		THIS DRAWING CONTAINS INFORMATION THAT IS PROPRIETARY TO MOLEX INCORPORATED AND SHOULD NOT BE USED WITHOUT WRITTEN PERMISSION																																	