

4 CKT SHOWN

NOTES:

1) MATERIAL:

- "BLANK" = NYLON 6/6, UNFILLED UL94V-2, COLOR: NATURAL.
- "BL" = NYLON 6/6, UNFILLED UL94V-2, COLOR: BLACK.
- "BU" = NYLON 6/6, UNFILLED UL94V-2, COLOR: BLUE.
- "RE" = NYLON 6/6, UNFILLED UL94V-2, COLOR: RED.
- "YE" = NYLON 6/6, UNFILLED UL94V-2, COLOR: YELLOW
- "GRE" = NYLON 6/6, UNFILLED UL94V-2, COLOR: GREEN.
- "210" = NYLON 6/6, UNFILLED UL94V-0, COLOR: NATURAL.
- "400" = NYLON 6/6, UNFILLED UL94V-0, COLOR: BLACK.

2) FINISH: NOT APPLICABLE

3) PRODUCT SPECIFICATION: PS-5556-001

4) PACKAGING: BULK

5) PART MATES WITH MOLEX PLUG #5559 AND HEADERS #5566, #5569.

6) PART TO BE USED WITH MOLEX FEMALE TERMINAL #5556.

7) PART IS NOT DESIGNED FOR CURRENT SHARING.

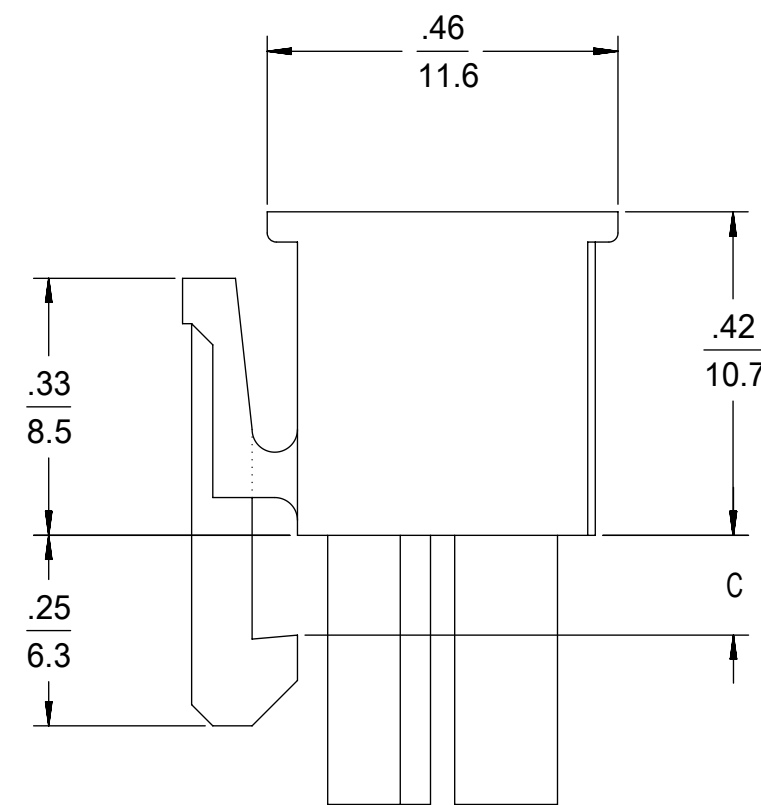
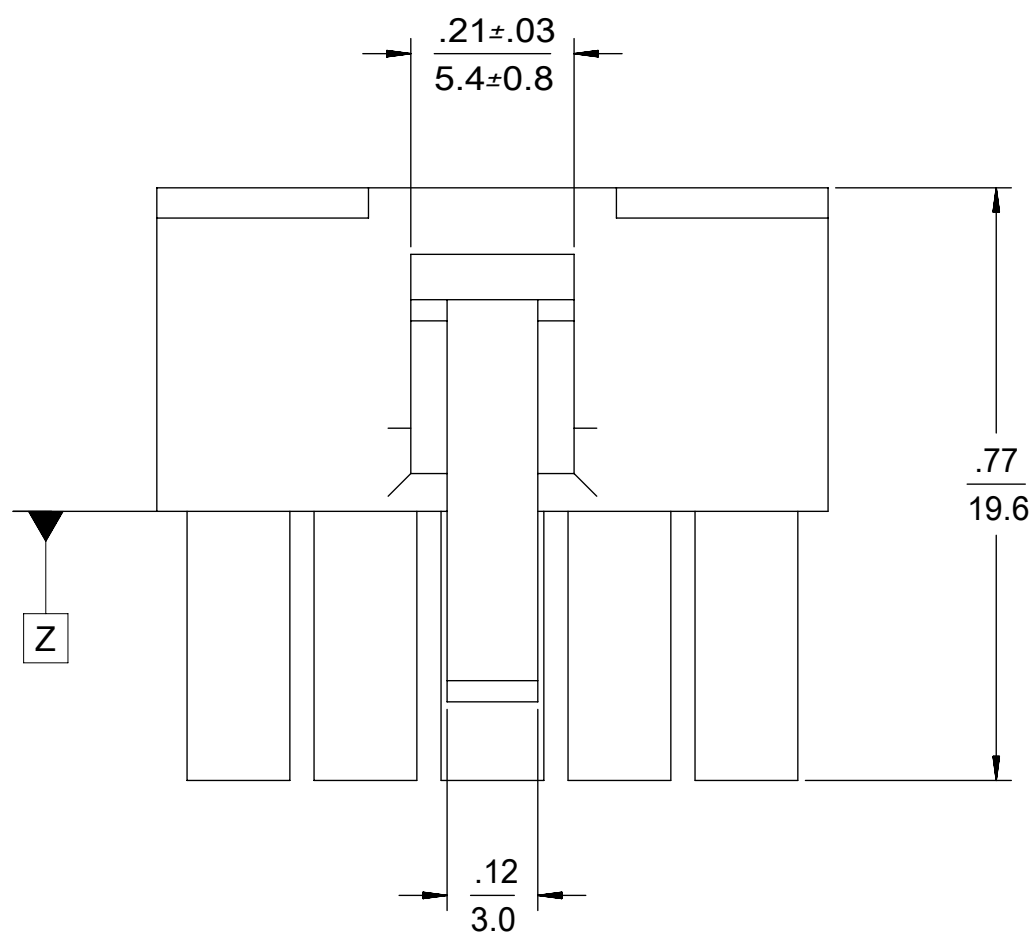
8) CONNECTORS ARE NOT TO BE MATED OR UNMATED WHILE CIRCUITS ARE LIVE.

9) WIRES ARE TO BE DRESSED IN SUCH A MANNER TO ALLOW THE TERMINALS TO FLOAT FREELY IN THE POCKET.

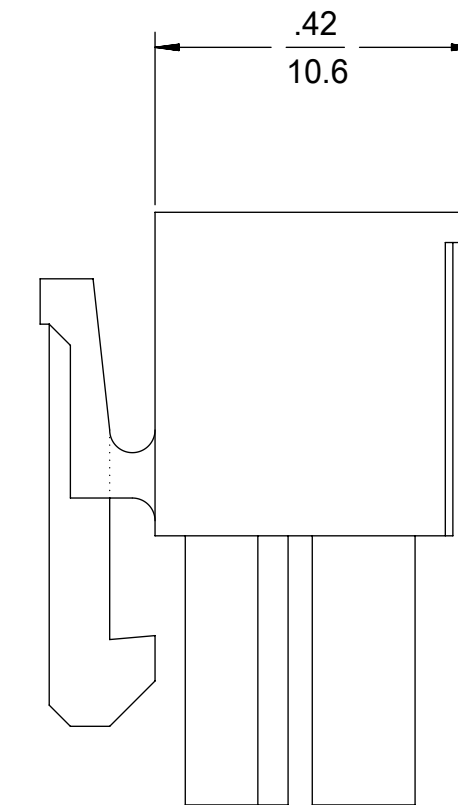
10) PART CONFORMS TO CLASS "B" REQUIREMENTS OF COSMETIC SPECIFICATION PS-45499-002 WITH THE EXCEPTION OF DISCOLORATION, FLASH AND SINK MEET CLASS "C" REQUIREMENTS.

11 TO BE MEASURED AT SURFACE [Z]

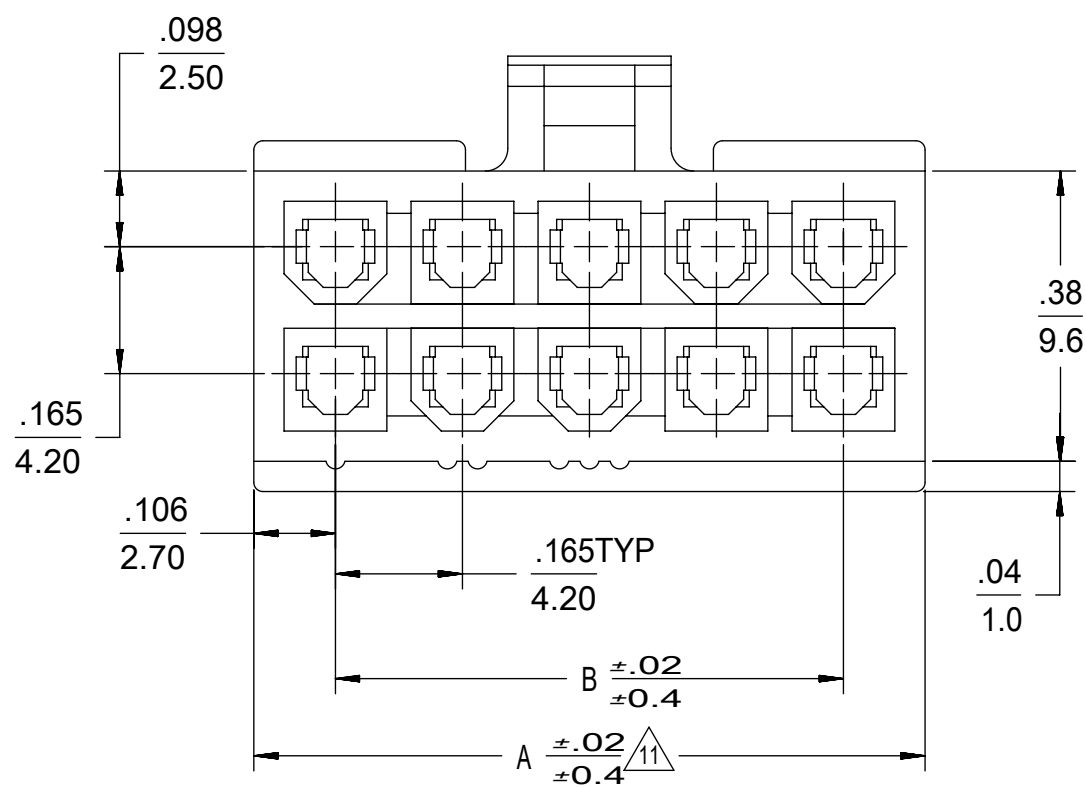
12 TEXT ON PART IS FOR REFERENCE ONLY. TEXT AND TEXT LOCATION MAY VARY DEPENDING ON PART NUMBER AND/OR TOOL.



4-24 CKT

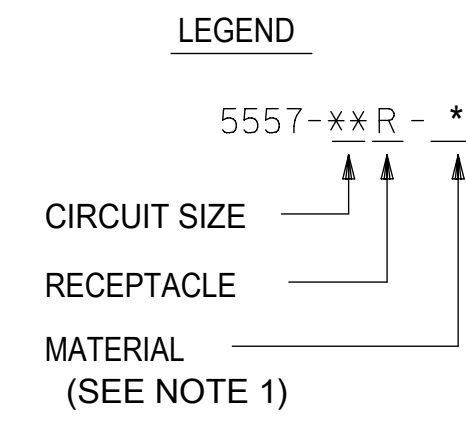
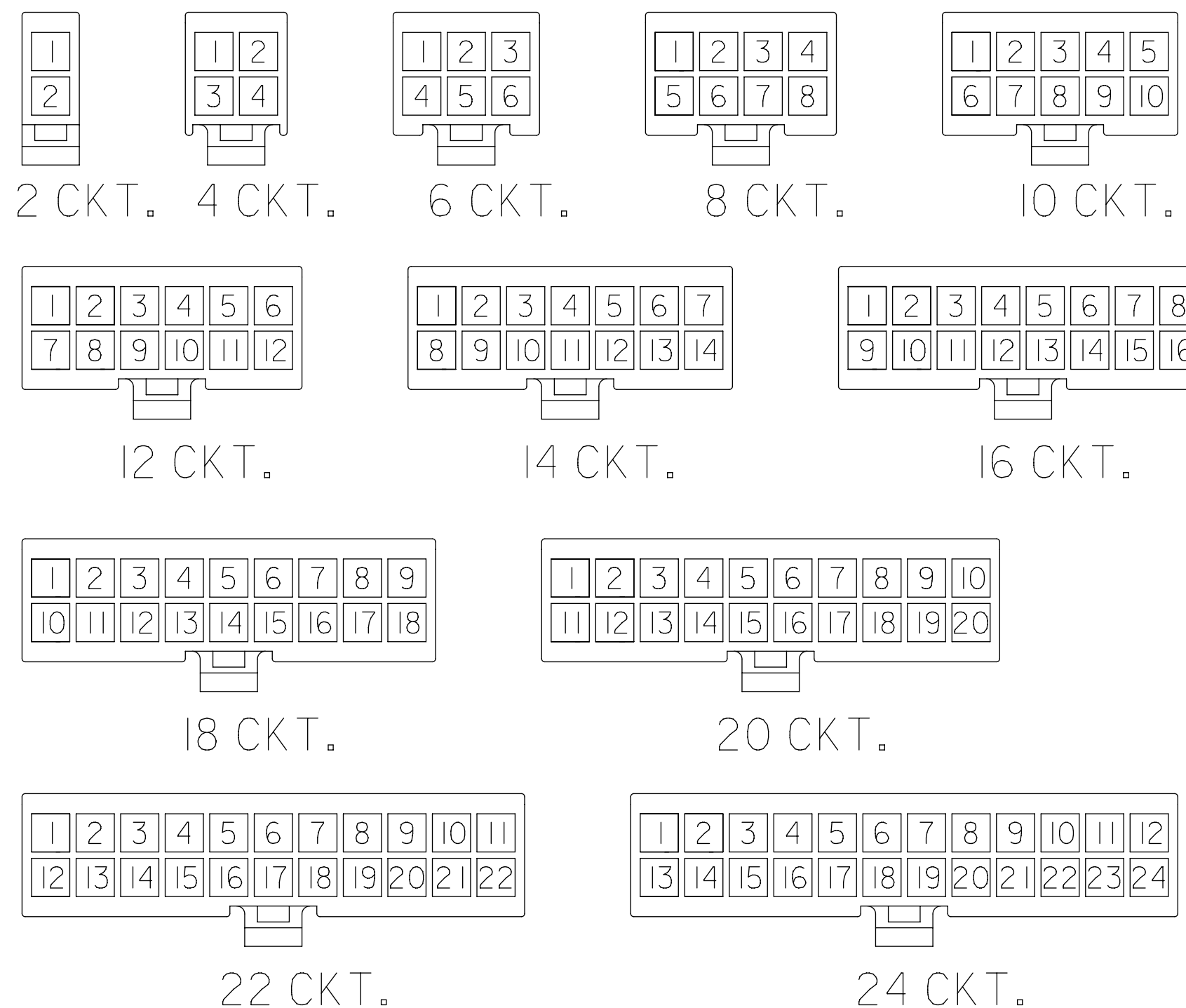


2 CKT ONLY



2.031/(51.60)	1.819/(46.20)	.142/ (3.60)	24
1.866/(47.40)	1.654/(42.00)		22
1.701/(43.20)	1.488/(37.80)		20
1.535/(39.00)	1.323/(33.60)	.129/ (3.30)	18
1.370/(34.80)	1.157/(29.40)		16
1.205/(30.60)	0.992/(25.20)		14
1.039/(26.40)	0.827/(21.00)		12
0.874/(22.20)	0.661/(16.80)		10
0.709/(18.00)	0.496/(12.60)		8
0.543/(13.80)	0.331/(8.40)		6
0.378/(9.60)	0.165/(4.20)		4
0.213/(5.40)	—	2	
A	B	C	NO. OF CKTS.

QUALITY SYMBOLS	THIS DRAWING CONTAINS INFORMATION THAT IS PROPRIETARY TO MOLEX ELECTRONIC TECHNOLOGIES, LLC AND SHOULD NOT BE USED WITHOUT WRITTEN PERMISSION					
	OBS -225 P/N'S EC NO: 105893 DRWN: CSLAFTER CHKD: REV / APPR: FSMITH	2016/03/25 2016/07/15	DIMENSION UNITS IN/MM SCALE 4:1	DRWN BY S.MOCHIZUKI DATE '90/02/22		
GENERAL TOLERANCES (UNLESS SPECIFIED) 4 PLACES ± 3 PLACES ± ± 0.01 2 PLACES ± 0.25 ± 0.015 1 PLACES ± 0.38 ± 0 PLACES ± ±	ANGULAR TOL = 0.5 DRAFT WHERE APPLICABLE MUST REMAIN WITHIN DIMENSIONS	APPR BY FSMITH DATE 2011/02/21	CHK'D BY M.FUKUSHIMA DATE '97/01/08	PRODUCT CUSTOMER DRAWING		
DIMENSION UNITS IN/MM SCALE 4:1	DRAWING SIZE C	THIRD ANGLE PROJECTION	SERIES 5557	MATERIAL NUMBER SEE CHART	CUSTOMER GENERAL MARKET	
RELEASE STATUS 12	RELEASE DATE 11	DOCUMENT NUMBER SD-5557-003	DOC TYPE PSD	DOC PART 000	SHEET NUMBER 1 OF 2	



**CIRCUIT SIZE LAYOUT
(NOT TO SCALE)**

V-0 (BLACK)				V-0 (NATURAL)			
	39-03-9242	5557-24R-400	24		39-01-2245	5557-24R-210	24
*	39-03-9222	5557-22R-400	22		39-01-2225	5557-22R-210	22
*	39-03-9202	5557-20R-400	20		39-01-2205	5557-20R-210	20
	39-03-9182	5557-18R-400	18		39-01-2185	5557-18R-210	18
	39-03-9162	5557-16R-400	16		39-01-2165	5557-16R-210	16
	39-03-9142	5557-14R-400	14		39-01-2145	5557-14R-210	14
	39-03-9122	5557-12R-400	12		39-01-2125	5557-12R-210	12
	39-03-9102	5557-10R-400	10		39-01-2105	5557-10R-210	10
	39-03-9082	5557-08R-400	8		39-01-2085	5557-08R-210	8
	39-03-9062	5557-06R-400	6		39-01-2065	5557-06R-210	6
	39-03-9042	5557-04R-400	4		39-01-2045	5557-04R-210	4
	39-03-9022	5557-02R-400	2		39-01-2025	5557-02R-210	2
	EDP. NO.	ENG. NO.	NO. OF CKTS.		EDP. NO.	ENG. NO.	NO. OF CKTS.

* = CONSULT FACTORY FOR AVAILABILITY.

V-2 (BLUE)			V-2 (GREEN)			V-2 (YELLOW)			V-2 (RED)			V-2 (BLACK)			V-2 (NATURAL)					
		24			24			24	-	-	24	*	39-01-3245	5557-24R-BL	24		39-01-2240	5557-24R	24	
		22			22			22	-	-	22		39-01-3225	5557-22R-BL	22		39-01-2220	5557-22R	22	
		20			20			20	-	-	20		39-01-3205	5557-20R-BL	20		39-01-2200	5557-20R	20	
		18			18			18	-	-	18	*	39-01-3185	5557-18R-BL	18		39-01-2180	5557-18R	18	
		16			16			16	-	-	16	*	39-01-3165	5557-16R-BL	16		39-01-2160	5557-16R	16	
		14			14			14	-	-	14		39-01-3145	5557-14R-BL	14		39-01-2140	5557-14R	14	
		12			12			12	-	-	12		39-01-3125	5557-12R-BL	12		39-01-2120	5557-12R	12	
*	39-02-7108	5557-10R-BU	10		10			10	*	39-02-8100	5557-10R-RE	10		39-01-3105	5557-10R-BL	10		39-01-2100	5557-10R	10
		8			8			8	-	-	8		39-01-3085	5557-08R-BL	8		39-01-2080	5557-08R	8	
		6	*	39-02-7069	5557-06R-GRE	6	*	39-02-8061	5557-06R-YE	6	-	39-01-3065	5557-06R-BL	6		39-01-2060	5557-06R	6		
		4		4	*	39-02-8041	5557-04R-YE	4	*	39-02-8040	5557-04R-RE	4		39-01-3045	5557-04R-BL	4		39-01-2040	5557-04R	4
		2	*	39-02-7029	5557-02R-GRE	2	*	39-02-8021	5557-02R-YE	2	-	39-01-3025	5557-02R-BL	2		39-01-2020	5557-02R	2		
	EDP. NO.	ENG. NO.	NO. OF CKTS.		EDP. NO.	ENG. NO.	NO. OF CKTS.		EDP. NO.	ENG. NO.	NO. OF CKTS.		EDP. NO.	ENG. NO.	NO. OF CKTS.		EDP. NO.	ENG. NO.	NO. OF CKTS.	

THIS DRAWING CONTAINS INFORMATION THAT IS PROPRIETARY TO MOLEX ELECTRONIC TECHNOLOGIES, LLC AND SHOULD NOT BE USED WITHOUT WRITTEN PERMISSION

QUALITY SYMBOLS: □ = 0, ▽ = 0, ▽ = 0, ▽ = 0, ▽ = 0, ▽ = 0, ▽ = 0, ▽ = 0, ▽ = 0, ▽ = 0

DRN: CSLAFTER, CHKD: FSMITH, APPR: FSMITH

GENERAL TOLERANCES (UNLESS SPECIFIED): 4 PLACES ±, 3 PLACES ± ± 0.01, 2 PLACES ± 0.25 ± 0.015, 1 PLACES ± 0.38 ±, 0 PLACES ± ±

ANGULAR TOL = 0.5

DRAFT WHERE APPLICABLE MUST REMAIN WITHIN DIMENSIONS

DIMENSION UNITS: IN/MM, SCALE: 4:1

DRWN BY: S.MOCHIZUKI, DATE: '90/02/22

CHK'D BY: M.FUKUSHIMA, DATE: '97/01/08

APPR BY: FSMITH, DATE: 2011/02/21

DRAWING SIZE: C, THIRD ANGLE PROJECTION

molex

MINIFIT JR RECEPTACLE HOUSING DUAL ROW 2-24 CKT

PRODUCT CUSTOMER DRAWING

SERIES: 5557, MATERIAL NUMBER: SEE CHART, CUSTOMER: GENERAL MARKET

DOCUMENT NUMBER: SD-5557-003, DOC TYPE: PSD, DOC PART: 000, SHEET NUMBER: 2 OF 2