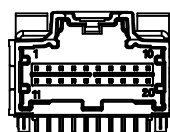
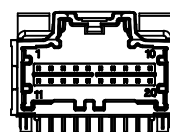


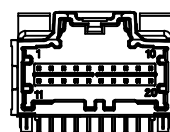
POLARIZATION OPTION A  
P/N 34691-0200



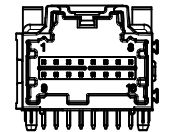
POLARIZATION OPTION B  
P/N 34691-0201



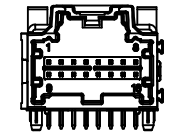
POLARIZATION OPTION C  
P/N 34691-0202



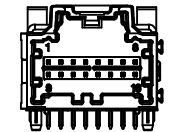
POLARIZATION OPTION D  
P/N 34691-0203



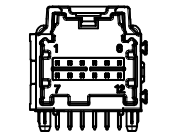
POLARIZATION OPTION A  
P/N 34691-0160



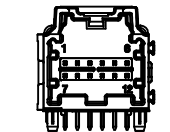
POLARIZATION OPTION B  
P/N 34691-0161



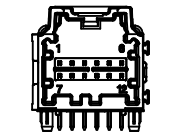
POLARIZATION OPTION C  
P/N 34691-0162



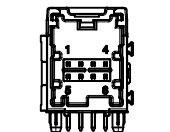
POLARIZATION OPTION A  
P/N 34691-0120



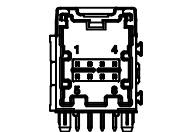
POLARIZATION OPTION B  
P/N 34691-0121



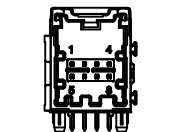
POLARIZATION OPTION C  
P/N 34691-0122



POLARIZATION OPTION A  
P/N 34691-0080



POLARIZATION OPTION B  
P/N 34691-0081



POLARIZATION OPTION C  
P/N 34691-0082

NOTES: VALID UNLESS OTHERWISE SPECIFIED

1. GENERAL:
  - a. CONNECTOR HEADER MUST BE VALIDATED TO THE FOLLOWING FUNCTIONAL REQUIREMENTS:
    - POLARIZATION FEATURE EFFECTIVENESS - SEE PRODUCT SPECIFICATION
    - PIN RETENTION - USCAR-2 REV 4
    - SOLDERABILITY - SMES-152
  - b. APPLICATION REQUIREMENTS (REFERENCE ONLY) FOR:
    - SEE APPLICATION SPECIFICATION - AS-34729-020/AS-31408-100
    - SEE PRODUCT SPECIFICATION - PS-34729-020/PS-31408-100
  - c. PACKAGING SPECIFICATION: SEE CHART
2. DESIGN: MATERIALS:
  - a. SHROUD (PLASTIC HOUSING):
    - RESIN - SPS 30%GF - 20% REGRIND MAX. BY WEIGHT
  - b. 0.64MM PINS:
    - BASE MATERIAL: C26000
    - PLATING TYPE: AS NOTED
  - c. PIN ALIGNMENT PLATE: NYLAR
3. PLATING REQUIREMENTS:
  - a. UNDERPLATING - OVERALL NICKEL
  - b. OVERPLATING - OVERALL TIN
4. INTERFACE: USCAR
  - 064-U-008-2-201
  - 064-U-012-2-202
  - 064-U-016-2-202
  - 064-U-020-2-202

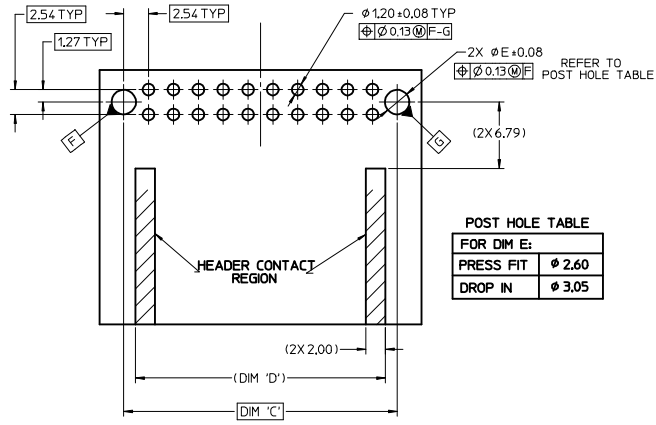
SOME CHAMBERS HAVE BEEN MODIFIED TO IMPROVE POLARIZATION EFFECTIVENESS. SEE AS-34729-002/AS-31408-100.

MATERIAL NUMBER			CKT SIZE	DESCRIPTION	POL	COLOR
TRAY PACKAGING PK-31300-892	TUBE PACKAGING PK-31301-063	ALT TRAY PACK PK-31300-894				
34691-0200	34691-9200	34691-9204	20	STAC64 RIGHT ANGLE HEADER ASSEMBLY	A	BLACK
34691-0201	34691-9201	TBD	20	STAC64 RIGHT ANGLE HEADER ASSEMBLY	B	GREY
34691-0202	34691-9202	TBD	20	STAC64 RIGHT ANGLE HEADER ASSEMBLY	C	BROWN
34691-0203	34691-9203	TBD	20	STAC64 RIGHT ANGLE HEADER ASSEMBLY	D	GREEN
34691-0160	34691-9160	TBD	16	STAC64 RIGHT ANGLE HEADER ASSEMBLY	A	BLACK
34691-0161	34691-9161	TBD	16	STAC64 RIGHT ANGLE HEADER ASSEMBLY	B	GREY
34691-0162	34691-9162	TBD	16	STAC64 RIGHT ANGLE HEADER ASSEMBLY	C	BROWN
34691-0120	34691-9120	TBD	12	STAC64 RIGHT ANGLE HEADER ASSEMBLY	A	BLACK
34691-0121	34691-9121	TBD	12	STAC64 RIGHT ANGLE HEADER ASSEMBLY	B	GREY
34691-0122	34691-9122	TBD	12	STAC64 RIGHT ANGLE HEADER ASSEMBLY	C	BROWN
34691-0080	34691-9080	TBD	8	STAC64 RIGHT ANGLE HEADER ASSEMBLY	A	BLACK
34691-0081	34691-9081	TBD	8	STAC64 RIGHT ANGLE HEADER ASSEMBLY	B	GREY
34691-0082	34691-9082	TBD	8	STAC64 RIGHT ANGLE HEADER ASSEMBLY	C	BROWN

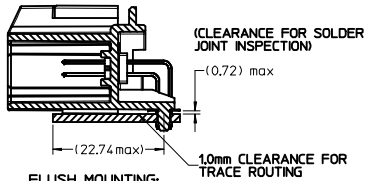
UPDATED DIMENSIONS IEC NO: UAU2016-1356 2016/03/09 G: CHYD: APPR:BAUMAN 2016/03/10	QUALITY SYMBOLS ▽=0 ▽=0	GENERAL TOLERANCES (UNLESS SPECIFIED) mm      INCH 4 PLACES ±.--- ±.--- 3 PLACES ±.--- ±.--- 2 PLACES ±0.13 ±.--- 1 PLACE ±0.25 ±.--- ANGULAR ± 3 °	DIMENSION STYLE MM ONLY DRAWN BY: MBAILEY      DATE: 10/02/06 CHECKED BY:      DATE:      TITLE: STAC64 SINGLE BAY RIGHT ANGLE ASSEMBLY SALES DRAWING EDILLON      04/18/07 APPROVED BY:      DATE:      MOLEX INCORPORATED SMARCEAU      2010/11/04	SCALE: 2:1      DESIGN UNITS: METRIC      THIRD ANGLE PROJECTION
		DRAFT WHERE APPLICABLE MUST REMAIN WITHIN DIMENSIONS	MATERIAL NO.      DOCUMENT NO.      SHEET NO. SEE CHART      SD-34691-100      1 OF 2	

CKT SIZE	DIM 'A'	DIM 'B'	DIM 'C'	DIM 'D'
20	34.04	31.57	27.94	25.54
16	28.96	26.49	22.86	20.46
12	23.88	21.41	17.78	15.38
8	18.80	16.53	12.70	10.30

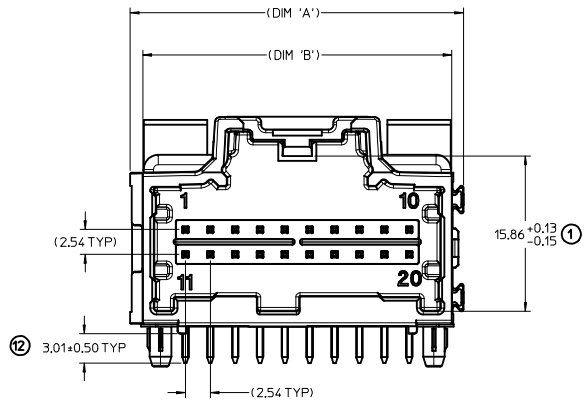
### RECOMMENDED PCB LAYOUT



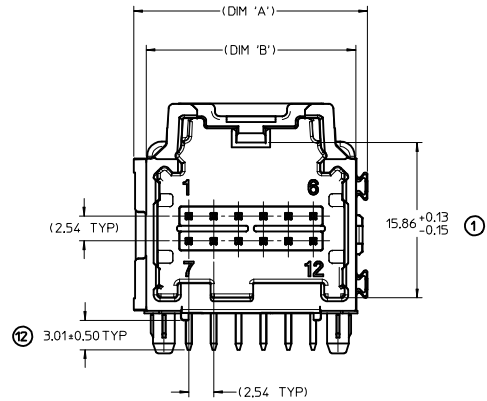
POST HOLE TABLE	
FOR DIM E:	
PRESS FIT	$\phi 2.60$
DROP IN	$\phi 3.05$



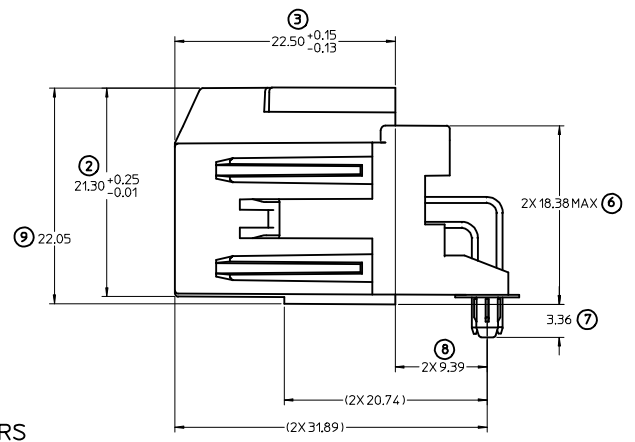
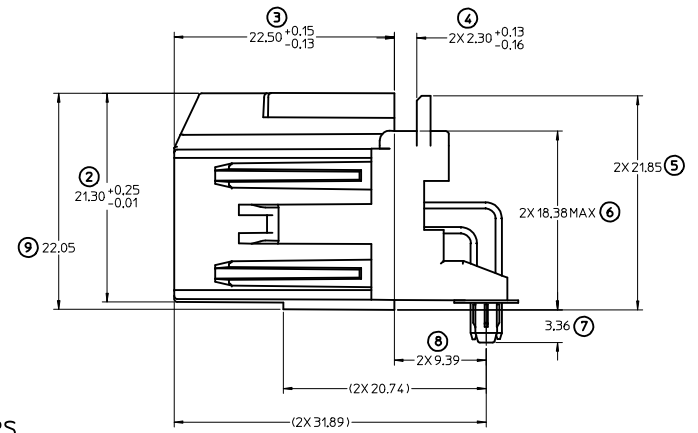
\*RECOMMENDED FOR WAVE SOLDER\*  
 FOR REFLOW CAPABLE PLASTIC PAP SEE:  
 SD-34691-600



LAYOUT FOR 16 & 20 CKT. HEADERS  
(20 CKT. OPTION 'A' SHOWN)



LAYOUT FOR 8 & 12 CKT. HEADERS  
(12 CKT. OPTION 'A' SHOWN)



<b>UPDATED DIMENSIONS</b> IEC NO. UAU2016-1356 G: DRAWN: FISCHER01 2016/03/09 CHKD: APPR: BALMAN 2016/03/10 REV DESCRIPTION	<b>QUALITY SYMBOLS</b> $\nabla=0$ $\nabla=0$		<b>GENERAL TOLERANCES (UNLESS SPECIFIED)</b>		<b>DIMENSION STYLE</b> MM ONLY		SCALE 4:1	DESIGN UNITS METRIC	THIRD ANGLE PROJECTION
	4 PLACES	±	---	mm	---	---	DRAWN BY MBAILEY	DATE 10/02/06	<b>STAC64 SINGLE BAY          RIGHT ANGLE ASSEMBLY          SALES DRAWING</b>  <b>MOLEX INCORPORATED</b> MATERIAL NO. SD-34691-100 DOCUMENT NO. 2 OF 2
	3 PLACES	±	---	---	---	CHECKED BY CDILLON	DATE 04/18/07		
	2 PLACES	±	0.13	---	---	APPROVED BY SMARCEAU	DATE 2010/11/04		
1 PLACE	±	0.25	---	---	SEE CHART				
DRAFT WHERE APPLICABLE MUST REMAIN WITHIN DIMENSIONS			ANGULAR ± 3°		THIS DRAWING CONTAINS INFORMATION THAT IS PROPRIETARY TO MOLEX INCORPORATED AND SHOULD NOT BE USED WITHOUT WRITTEN PERMISSION				