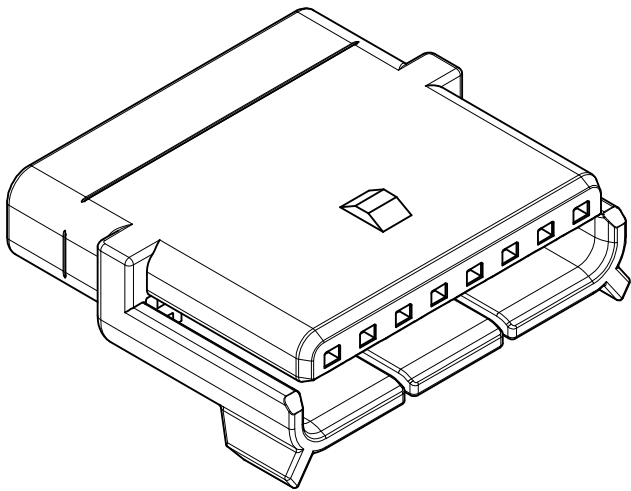
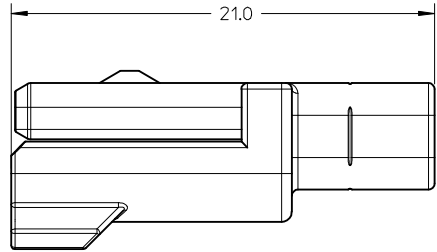
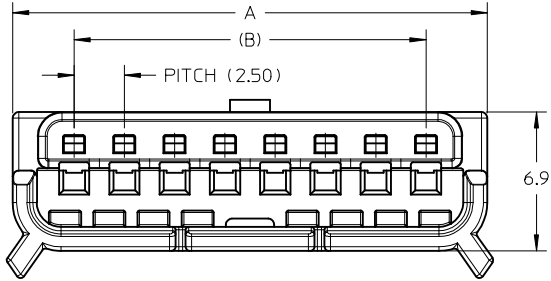


- NOTES:
1. MATERIAL: PA66, UL 94V-0
COLOR: NATURAL(WHITE)
 2. USE CRIMP TERMINAL SERIES 36876
 3. PART MATES WITH IDENTICAL HOUSING (SERIES 36877)
 4. PRODUCT SPECIFICATION PS-36876-001
 5. PACKAGING SPECIFICATION PK-36877-001
 6. COSMETIC SPECIFICATION: PS-45499-002 CLASS B



PART NO	CIRCUIT SIZE	A ±0.35	(B)
368770002	2	8.5	(2.5)
368770003	3	11.0	(5.0)
368770004	4	13.5	(7.5)
368770005	5	16.0	(10.0)
368770006	6	18.5	(12.5)
368770007	7	21.0	(15.0)
368770008	8	23.5	(17.5)

REV *A* RELEASE EC NO: UCP2016-1608 DRWNGES 2015/10/13 CHKD: APPR:KPRASAD 2015/10/26 REV	QUALITY SYMBOLS	GENERAL TOLERANCES (UNLESS SPECIFIED)		DIMENSION STYLE MM ONLY		SCALE 4:1	DESIGN UNITS METRIC	THIRD ANGLE PROJECTION																																	
	$\nabla_A = 0$ $\nabla_B = 0$ $\nabla_C = 0$	<table border="1"> <thead> <tr> <th></th> <th>mm</th> <th>INCH</th> </tr> </thead> <tbody> <tr> <td>4 PLACES</td> <td>± ---</td> <td>± ---</td> </tr> <tr> <td>3 PLACES</td> <td>± ---</td> <td>± ---</td> </tr> <tr> <td>2 PLACES</td> <td>± 0.25</td> <td>± ---</td> </tr> <tr> <td>1 PLACE</td> <td>± 0.3</td> <td>± ---</td> </tr> <tr> <td>0 PLACE</td> <td>± ---</td> <td>± ---</td> </tr> </tbody> </table>		mm	INCH	4 PLACES	± ---	± ---	3 PLACES	± ---	± ---	2 PLACES	± 0.25	± ---	1 PLACE	± 0.3	± ---	0 PLACE	± ---	± ---	<table border="1"> <thead> <tr> <th>mm</th> <th>INCH</th> </tr> </thead> <tbody> <tr> <td>± 0.15</td> <td>± 0.006</td> </tr> <tr> <td>± 0.25</td> <td>± 0.010</td> </tr> <tr> <td>± 0.38</td> <td>± 0.015</td> </tr> <tr> <td>± 0.51</td> <td>± 0.020</td> </tr> <tr> <td>± 0.76</td> <td>± 0.030</td> </tr> <tr> <td>± 1.27</td> <td>± 0.050</td> </tr> </tbody> </table>	mm	INCH	± 0.15	± 0.006	± 0.25	± 0.010	± 0.38	± 0.015	± 0.51	± 0.020	± 0.76	± 0.030	± 1.27	± 0.050	DRAWN BY: NCSR DATE: 2013/10/24 CHECKED BY: DATE: APPROVED BY: KPRASAD DATE: 2013/10/29	TITLE GENDERLESS HOUSING FRICTION LOCK DITTO INTERCONNECTS		molex DOCUMENT NO. SD-36877-001		SHEET NO. 1 OF 1
		mm	INCH																																						
4 PLACES	± ---	± ---																																							
3 PLACES	± ---	± ---																																							
2 PLACES	± 0.25	± ---																																							
1 PLACE	± 0.3	± ---																																							
0 PLACE	± ---	± ---																																							
mm	INCH																																								
± 0.15	± 0.006																																								
± 0.25	± 0.010																																								
± 0.38	± 0.015																																								
± 0.51	± 0.020																																								
± 0.76	± 0.030																																								
± 1.27	± 0.050																																								
A	DRAFT WHERE APPLICABLE MUST REMAIN WITHIN DIMENSIONS	MATERIAL NO. SEE TABLE	THIS DRAWING CONTAINS INFORMATION THAT IS PROPRIETARY TO MOLEX INCORPORATED AND SHOULD NOT BE USED WITHOUT WRITTEN PERMISSION																																						