

STEVAL-IPM05F

Schematic diagrams

Figure 1: STEVAL-IPM05F circuit schematic (1 of 5)

GSPG2110151505SG

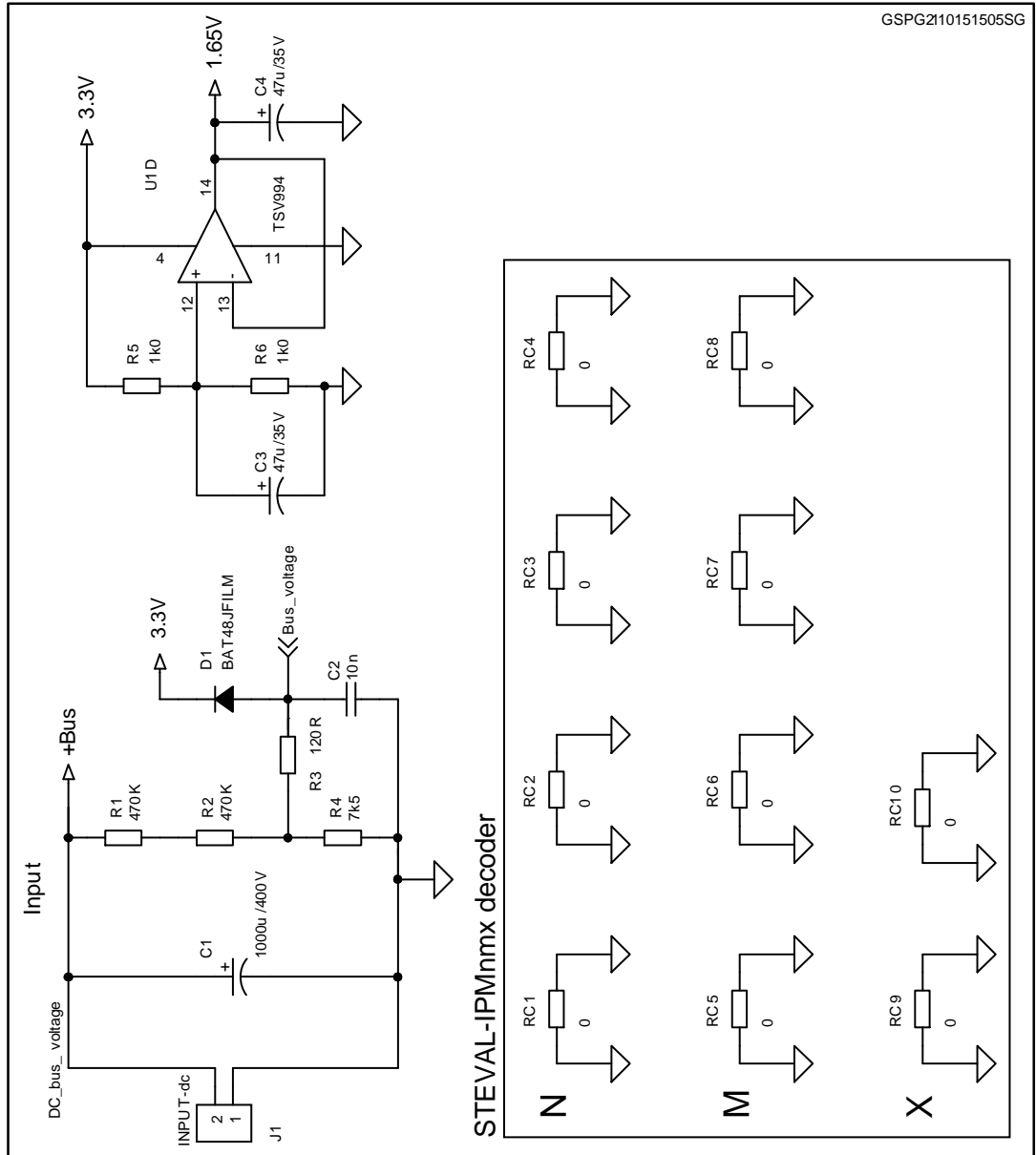


Figure 2: STEVAL-IPM05F circuit schematic (2 of 5)

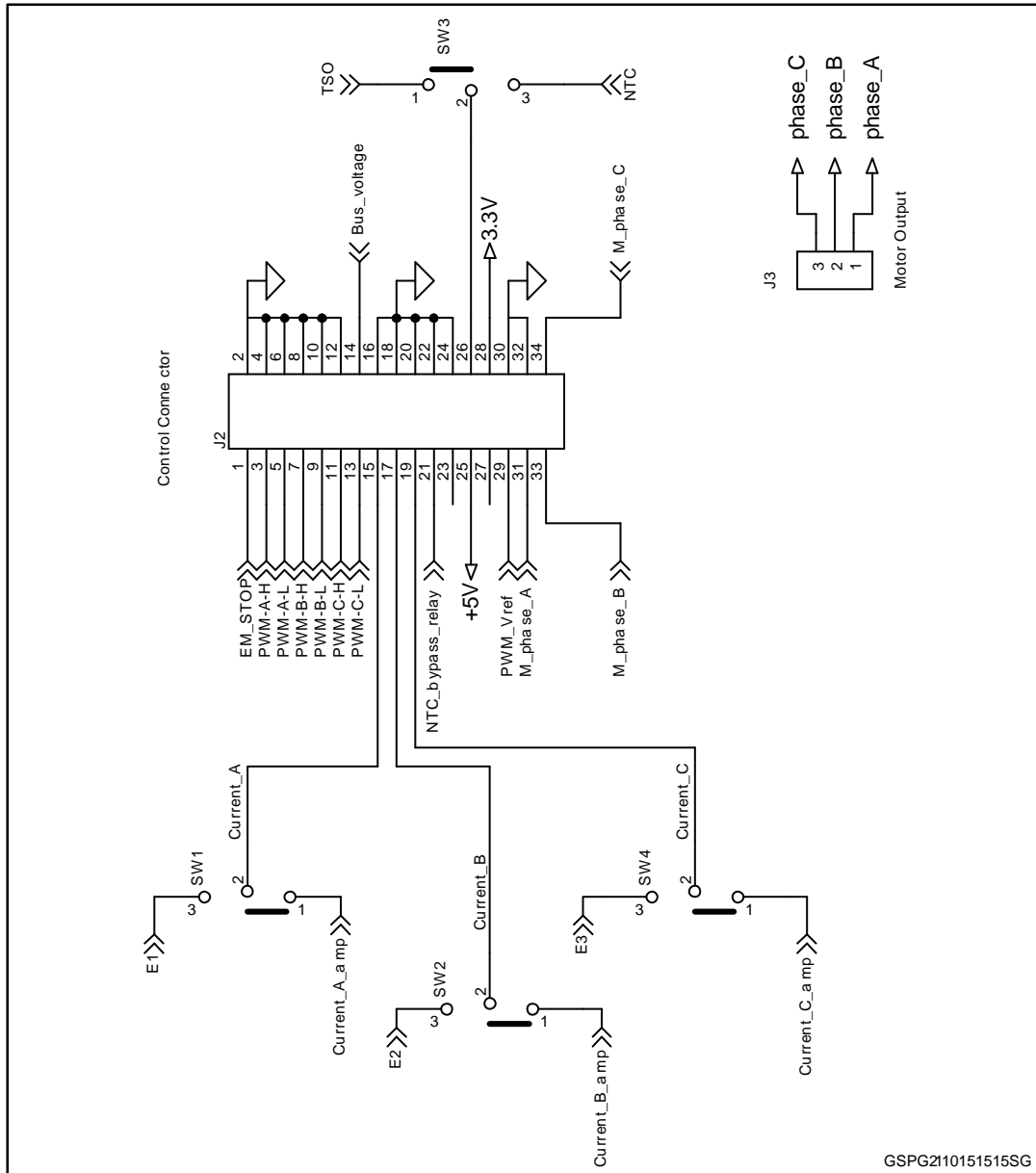


Figure 3: STEVAL-IPM05F circuit schematic (3 of 5)

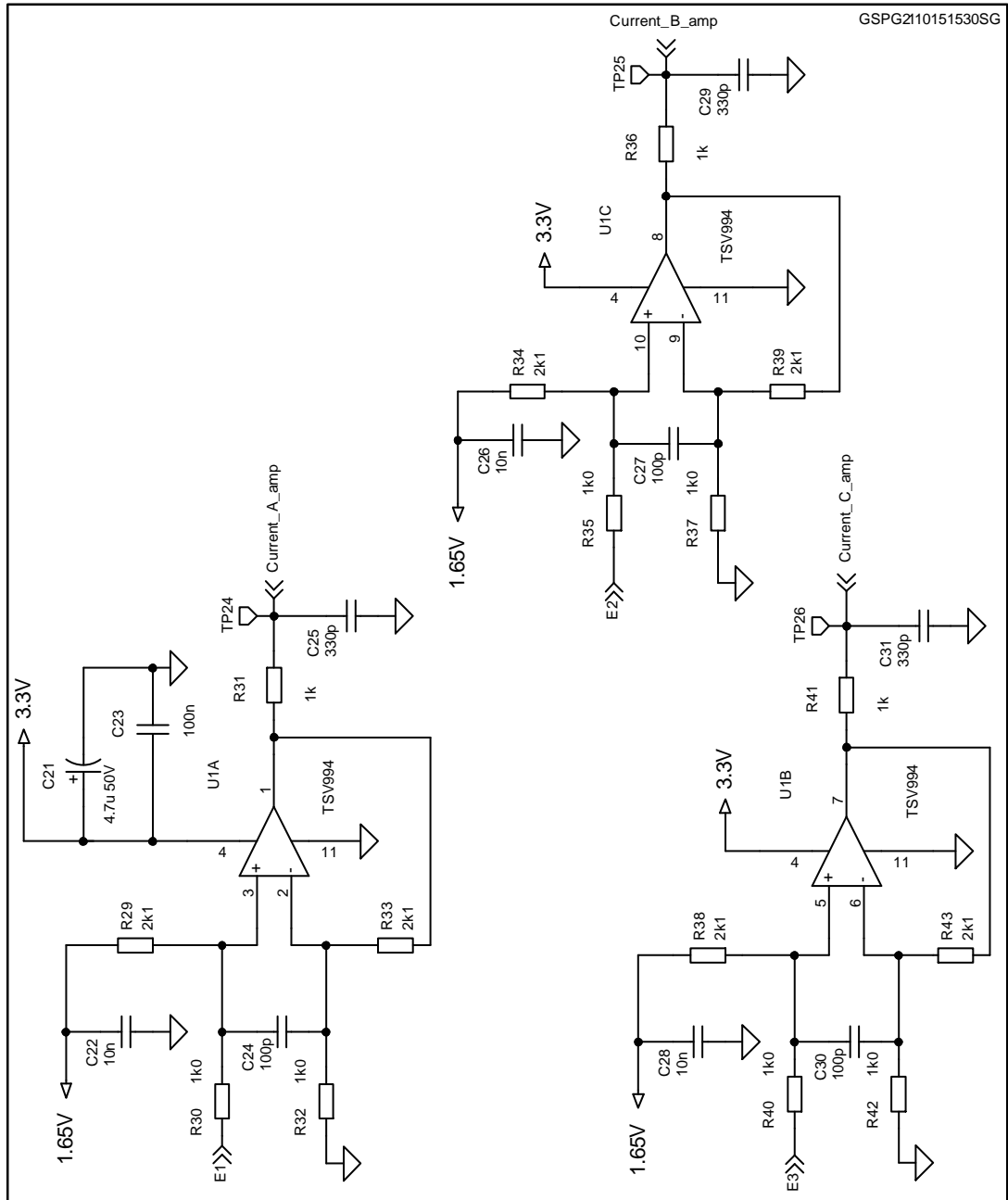


Figure 4: STEVAL-IPM05F circuit schematic (4 of 5)

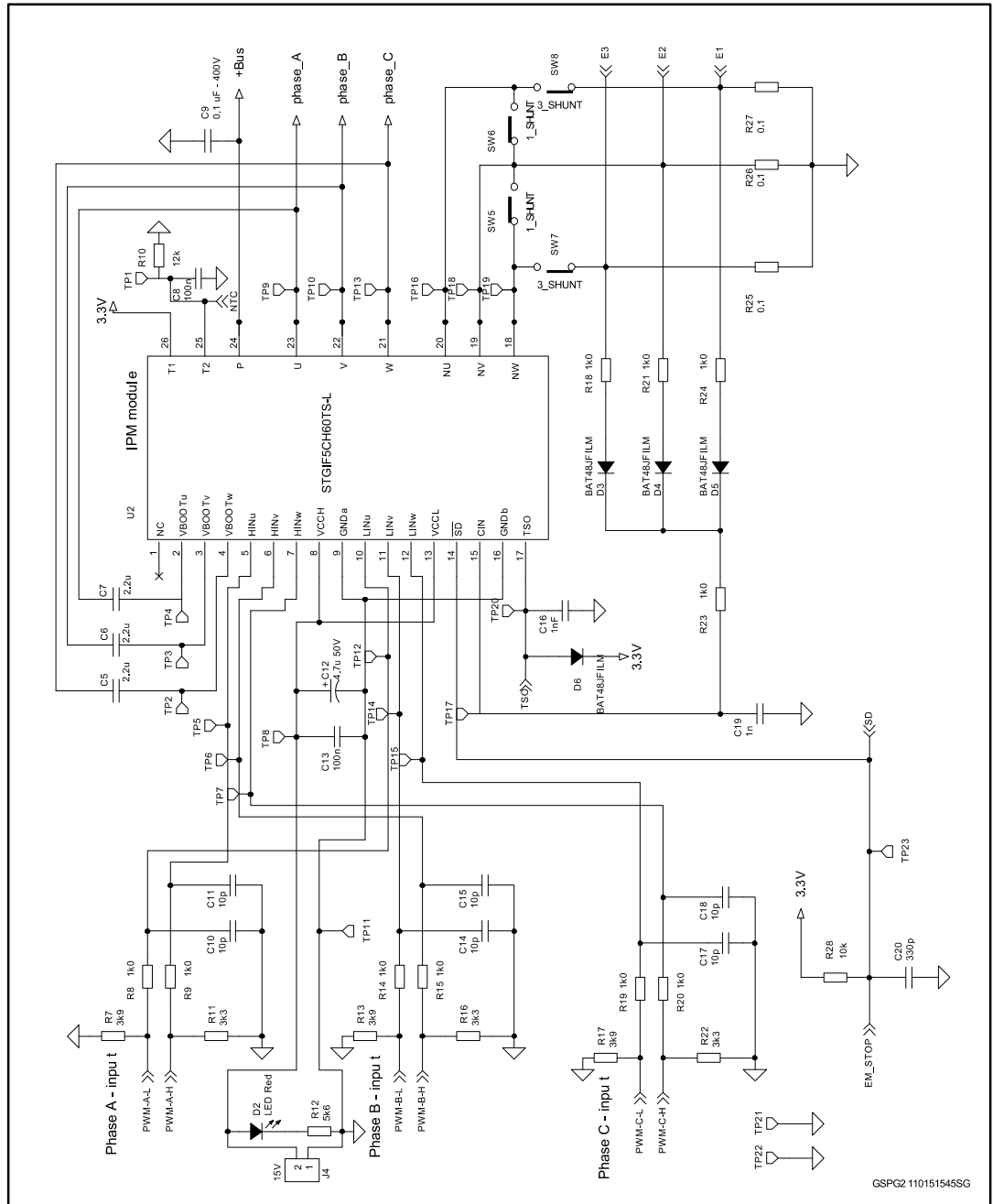


Figure 5: STEVAL-IPM05F circuit schematic (5 of 5)

GSPG2110151550SG

