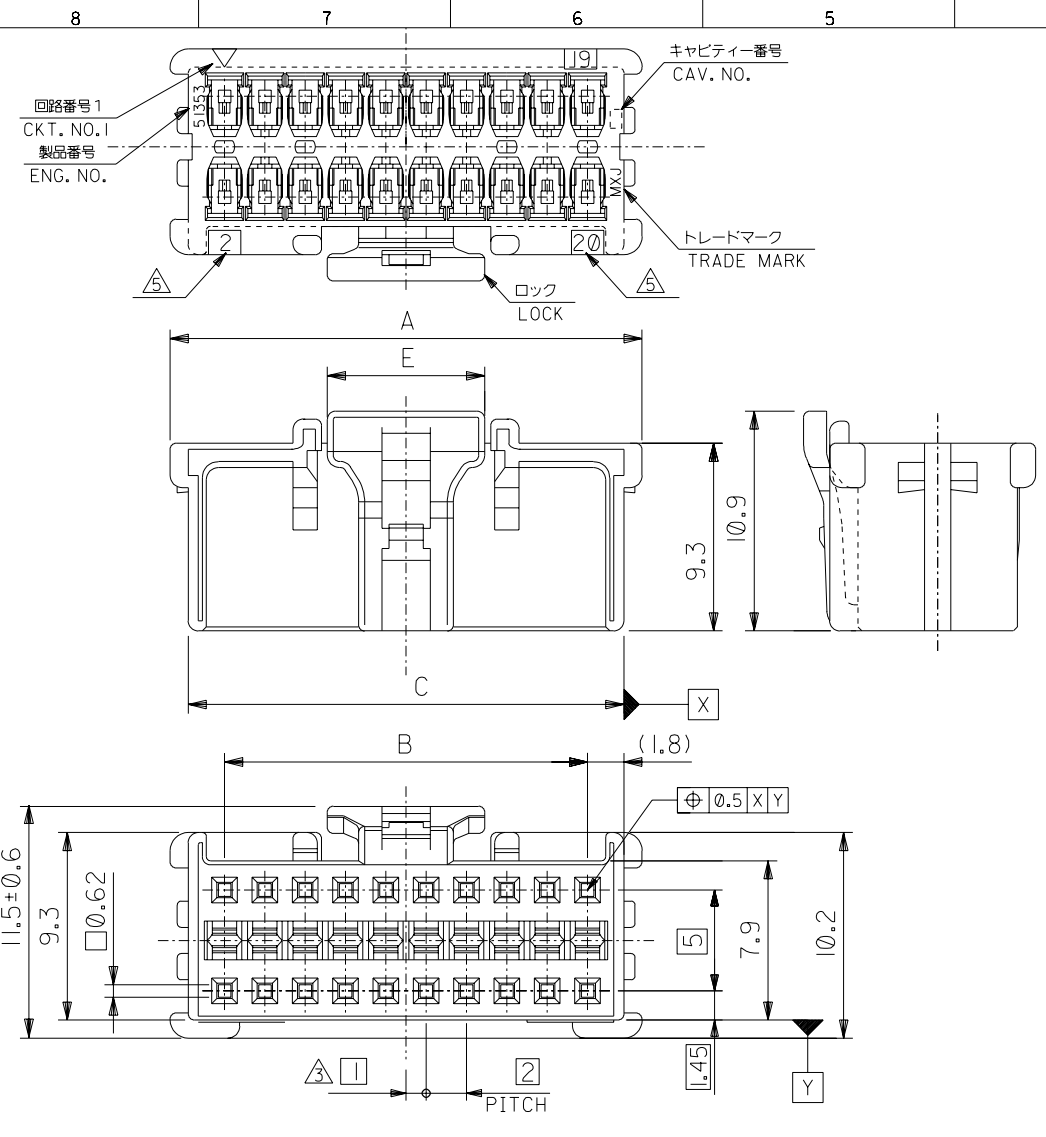


DWG. NO. SD-51353-002

DO NOT SCALE DRAWING



注記
NOTES

△ 適合ターミナル : 56134-9000, 9100
APPLICABLE TERMINAL : 56134-9000, 9100

2. 嵌合相手 : 55917, 55959 シリーズ
MATE WITH : 55917, 55959 SERIES
(全極数/2) = 偶数の場合に適用。
APPLY FOR (CIRCUIT/2) = EVEN

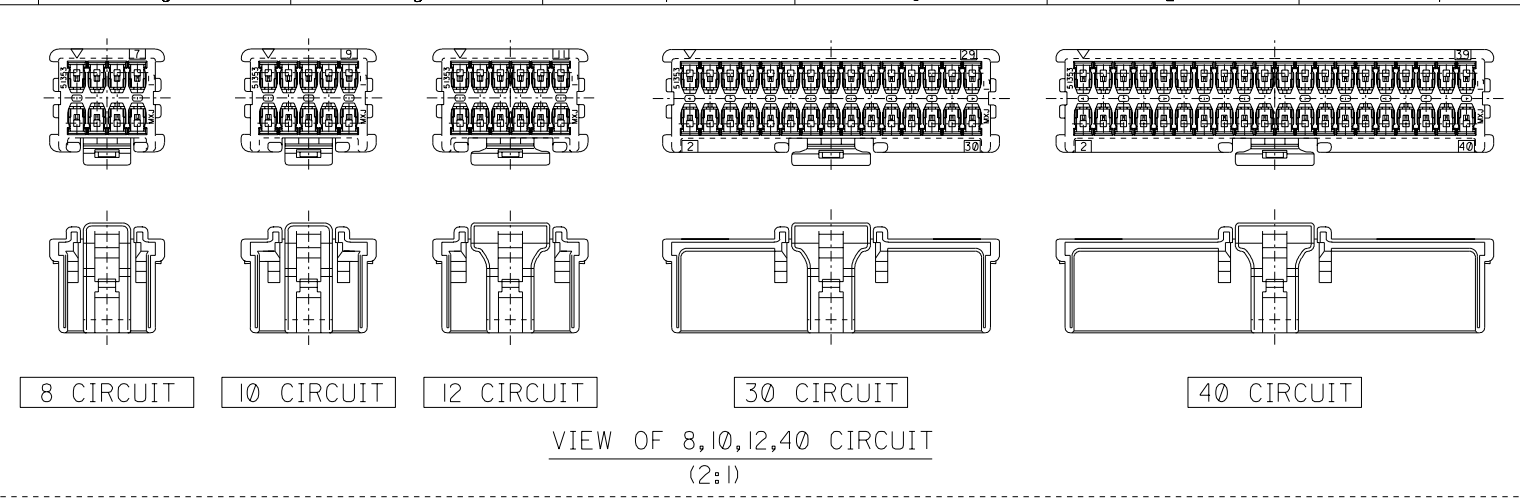
△ 製品番号
MATERIAL NO. 51353-**0*

△ ロック側の回路番号表示は、8~14極は無し、16~40極は有り。
LOCK SIDE CKT. NO. DIDN'T INDICATED 8~14CKT,
INDICATE 16~40CKT.

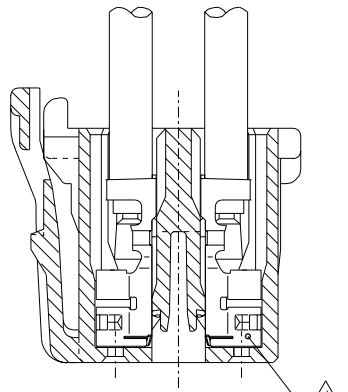
EC NO. DRWN: CHK: APPR:	REVISED EC NO. J2003-0719 DRWN:N.ITO '02/10/22 CHK: K.ASAKAWA APPR:T.YAMAGUCHI	REVISED EC NO. J2003-0066 DRWN:N.ITO '02/07/08 CHK: K.ASAKAWA APPR:T.YAMAGUCHI	REVISED EC NO. J2002-2307 DRWN:N.ITO '02/03/18 CHK: K.ASAKAWA APPR:T.YAMAGUCHI	RELEASED EC NO. J2002-1196 DRWN:N.ITO '01/12/17 CHK: K.ASAKAWA APPR:T.YAMAGUCHI	MATERIAL 材料 66NYLON, UL94V-0	GENERAL TOLERANCES: (UNLESS SPECIFIED) 一般公差	SCALE // DESIGN UNITS <input checked="" type="checkbox"/> mm <input type="checkbox"/> INCH	MODEL NO. 51353-**0*	DIMENSIONS: <input type="checkbox"/> mm <input type="checkbox"/> INCH <input checked="" type="checkbox"/> mm ONLY	SHT REV
C	B	A	0	0	FINISH 仕上げ //	10 UNDER 未満 ±0.2	DRAWN BY & DATE N.ITO '01/12/17	TITLE: 2.0mm W+-B DUAL CONN DIP RCPT HOUSING		
					WIRE RANGE 適用線径範囲 //	10 OVER 30 UNDER 未満 ±0.25	CHECKED BY & DATE K.ASAKAWA '02/10/22			
					INS. RANGE 被覆外径 //	30 OVER 以上 ±0.3	APPROVED BY & DATE T.YAMAGUCHI '02/10/22	MOLEX INCORPORATED		
						ANGLE 角度 ±3°	CAD FILENAME 51353002.S01	MATERIAL NO. SEE CHART	DRAWING NO. SD-51353-002	SHEET NO. 1 OF 2
							THIS DRAWING CONTAINS INFORMATION THAT IS PROPRIETARY TO MOLEX INCORPORATED AND SHOULD NOT BE USED WITHOUT WRITTEN PERMISSION.			SIZE B

EN-02J(097) MXJ-54

DWG. NO. SD-51353-002



VIEW OF 8,10,12,40 CIRCUIT
(2:1)



ターミナル装着状態図
TERMINAL ASSEMBLY DRAWING
SCALE 5:1

DO NOT SCALE DRAWING

EC NO. DRWN: CHK: APPR:	REVISED EC NO. J2003-0719 DRWN:N.ITO '02/09/12 CHK: K.ASAKAWA APPR:T.YAMAGUCHI	REVISED EC NO. J2003-0066 DRWN:N.ITO '02/07/08 CHK: K.ASAKAWA APPR:T.YAMAGUCHI	REVISED EC NO. J2002-2307 DRWN:N.ITO '02/03/18 CHK: K.ASAKAWA APPR:T.YAMAGUCHI	RELEASED EC NO. J2002-1196 DRWN:N.ITO '01/12/17 CHK: K.ASAKAWA APPR:T.YAMAGUCHI	MATERIAL 材料 SEE CHART 1 OF 2	GENERAL TOLERANCES: (UNLESS SPECIFIED) 一般公差	SCALE //	DESIGN UNITS <input checked="" type="checkbox"/> mm <input type="checkbox"/> INCH	THIRD ANGLE PROJECTION <input type="checkbox"/> mm <input type="checkbox"/> INCH <input checked="" type="checkbox"/> mm ONLY	SHT	REV
	C	B	A	0	FINISH 仕上げ //		10 UNDER 未満	±0.2		DRAWN BY & DATE N.ITO '01/12/17	TITLE: 2.0mm W+-B DUAL CONN DIP RCPT HOUSING
					WIRE RANGE 適用線径範囲 //	10 OVER 30 UNDER 以上 未満	±0.25	CHECKED BY & DATE K.ASAKAWA '02/09/12	MOLEX MOLEX INCORPORATED		
					INS. RANGE 被覆外径 //	30 OVER 以上	±0.3	APPROVED BY & DATE T.YAMAGUCHI '02/09/12		MATERIAL NO. SEE CHART	DRAWING NO. SD-51353-002
						ANGLE 角度	±3°	CAD FILENAME 51353002.S02	THIS DRAWING CONTAINS INFORMATION THAT IS PROPRIETARY TO MOLEX INCORPORATED AND SHOULD NOT BE USED WITHOUT WRITTEN PERMISSION.		SIZE B