

53927-**19	53927-5019
MODEL No.	MATERIAL No.

REVISED EC NO: J2014-0889 DRW: NESATO 2013/11/21 CHK: DASHIMOTSU 2013/11/21 APPR: NUKITA 2013/11/21 REV A	GENERAL TOLERANCES (UNLESS SPECIFIED)		DIMENSION STYLE MM ONLY		SCALE 2:1		DESIGN UNITS METRIC		THIRD ANGLE PROJECTION	
	10 UNDER	±0.2	DRAWN BY	DATE	TITLE					
	10 OVER 30 UNDER	±0.25	T. UENO	2004/05/17	CFA CARD CONN. 50P HEADER ASSY -LEAD FREE- <b>molex</b>					
	30 OVER	±0.3	CHECKED BY	DATE						
ANGULAR ±3 °		MATERIAL NO.	DATE	DOCUMENT NO.		SHEET NO.		THIS DRAWING CONTAINS INFORMATION THAT IS PROPRIETARY TO MOLEX INCORPORATED AND SHOULD NOT BE USED WITHOUT WRITTEN PERMISSION		
DRAFT WHERE APPLICABLE MUST REMAIN WITHIN DIMENSIONS		SEE TABLE		SD-53927-001		1 OF 2				

NOTES

1. 材質

MATERIAL

ハウジング：ガラス入りLCP UL94V-0  
 HOUSING: LCP G.F. UL94V-0  
 ピン：リン青銅  
 PIN: PHOSPHOR BRONZE  
 ネール：リン青銅  
 NAIL: PHOSPHOR BRONZE

2. メッキ仕様

PLATING

PIN 接点部：パラジウムニッケル下地、金メッキ  
 CONTACT AREA: Au OVER Pd-NI  
 半田付け部：錫メッキ  
 SOLDER TAIL AREA: TIN  
 下地メッキ：ニッケルメッキ  
 UNDERPLATING: NICKEL OVER ALL

NAIL 錫メッキ

TIN  
 下地メッキ：ニッケルメッキ  
 UNDERPLATING: NICKEL OVER ALL

3. 推奨基板厚

RECOMMENDED P.C.B. THICKNESS:  $t \geq 0.8$  MIN.

4. 適合カード厚

RECOMMENDED CARD THICKNESS

接続部： $3.3 \pm 0.1$   
 CONNECTING AREA:  $3.3 \pm 0.1$

5. 適合カード幅

RECOMMENDED CARD WIDTH:  $42.8 \pm 0.1$

6. ハウジング色

HOUSING COLOR: WHITE

寸 1, 13, 38, 50  
 THIS DIMENSION APPLIES TO CIRCUIT NUMBERS  
 1, 13, 38 AND 50.

寸 25, 26  
 THIS DIMENSION APPLIES TO CIRCUIT NUMBERS 25 AND 26.

寸 9  
 ピンの倒れは、ピン根元を基準に全方向へ  $0.1$  MAX. とする。  
 PIN TIP LEAN TOWARD ANY DIRECTION NOT TO EXCEED  $0.1$   
 WHEN MEASURED FROM PIN BASE.

寸 10  
 ピン根元に適用する。  
 THIS DIMENSION TO BE MEASURED AT PIN BASE.

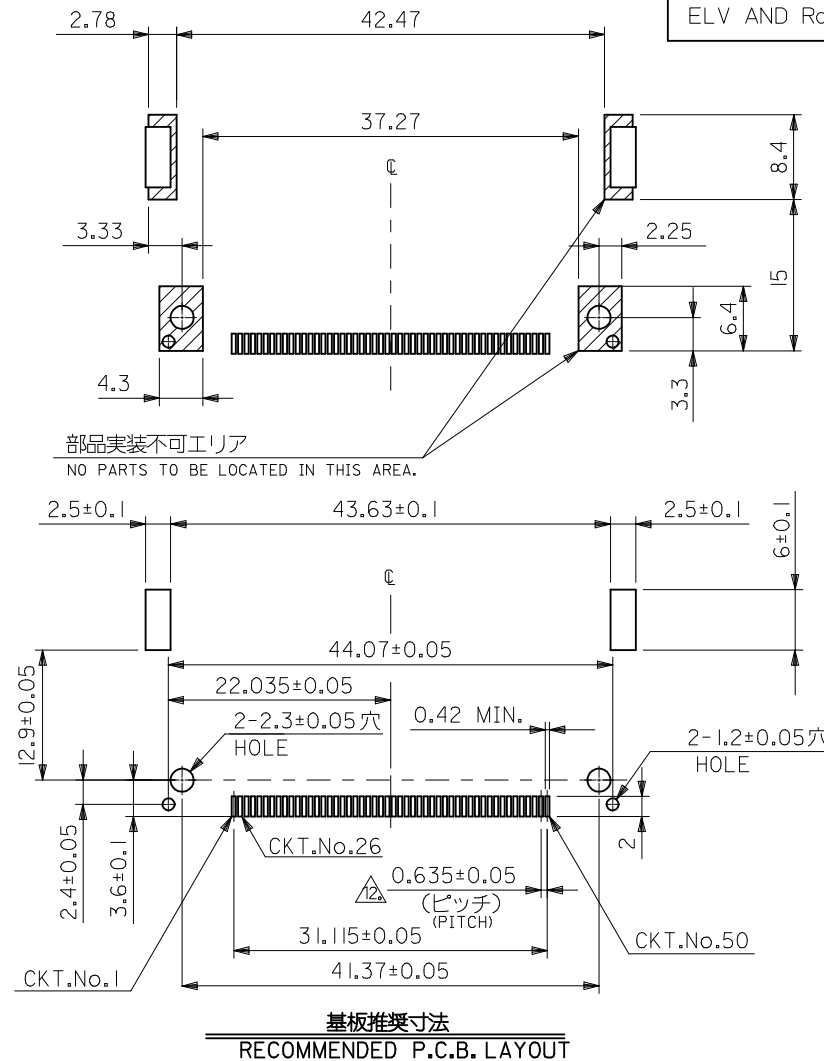
寸 11  
 ソルダーテールは、Z面を基準とし上へ  $0.05$  下へ  $0.2$  の範囲にあり、  
 目付ソルダーテールの平坦度は、 $0.15$  MAX. とし、テール先端にて測定する。  
 SOLDER TAILS TO BE WITHIN  $0.05$  UPWARD AND  $0.2$  DOWNWARD FROM Z-DATUM PLACE, AND COPLANARITY OF  
 SOLDER TAILS TO BE WITHIN  $0.15$ .  
 MEASUREMENT POINT IS SOLDER TAILS TIP.

寸 12  
 公差非累積  
 NON-CUMULATIVE

寸 13  
 本製品は 53927-\*\*-\*\*10 の鉛フリー品である。  
 THIS PRODUCT IS LEAD FREE OF 53927-\*\*-\*\*10.

寸 14  
 実装時、ボルトとナットを使用すること。  
 USE THE BOLT AND THE NUT WHEN YOU MOUNT.

ELV AND RoHS COMPLIANT.



REVISED EC NO: J2014-0889 2013/11/21 DRW: NESATO CHKD: ASHIMOTSU 2013/11/21 APPR: NUKITA 2013/11/21	DESCRIPTION	GENERAL TOLERANCES (UNLESS SPECIFIED)		DIMENSION STYLE MM ONLY		SCALE 2:1	DESIGN UNITS METRIC	THIRD ANGLE PROJECTION		
		10 UNDER	$\pm 0.2$	DRAWN BY T. UENO	DATE 2004/05/17	TITLE CFA CARD CONN. 50P HEADER ASSY -LEAD FREE-				
		10 OVER 30 UNDER	$\pm 0.25$	CHECKED BY M. SASAO	DATE 2004/05/17					
		30 OVER	$\pm 0.3$	APPROVED BY	DATE					
A	REV	ANGULAR	$\pm 3^\circ$	THIS DRAWING CONTAINS INFORMATION THAT IS PROPRIETARY TO MOLEX INCORPORATED AND SHOULD NOT BE USED WITHOUT WRITTEN PERMISSION						
		DRAFT WHERE APPLICABLE MUST REMAIN WITHIN DIMENSIONS								