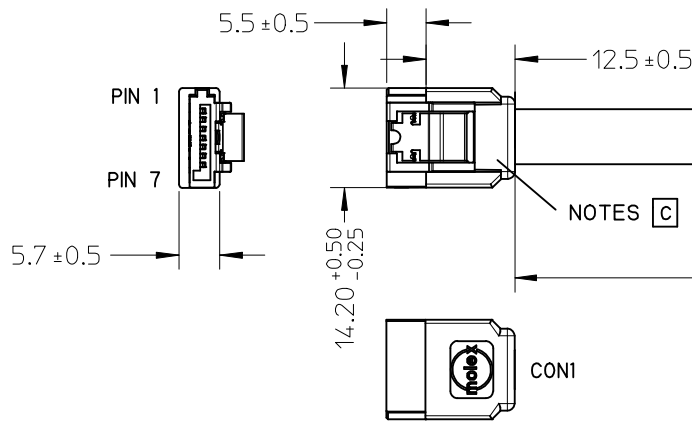


REVISION

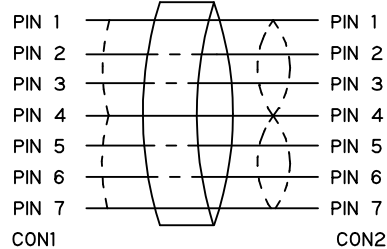
EC NO.	DATE	REV.	DESCRIPTION	CHANGER
CY11-6493	2011/04/13	G	CHANGE CABLE	ZLLI



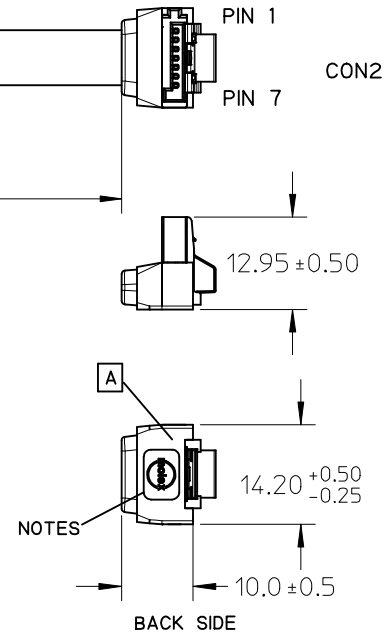
BACK SIDE

- NOTE:
- 1: OUTER MOLD WITH BLACK PVC RESIN
INNER MOLD WITH PE RESIN
ELECTRICAL PERFORMANCE:
 2. DIELECTRONIC STRENGTH:500V DC/0.01S
 3. INSULATION RESISTANCE:100M OHMS MIN.
 4. CONDUCTIVE RESISTOR: 2 OHMS MAX.
 5. THIS PRODUCT MECHANICAL AND ELECTRICAL PERFORMANCE REFER TO SATA INDUSTRIAL STANDARD.

WIRE CHART



LENGTH



BACK SIDE

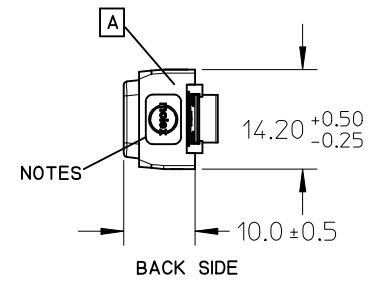
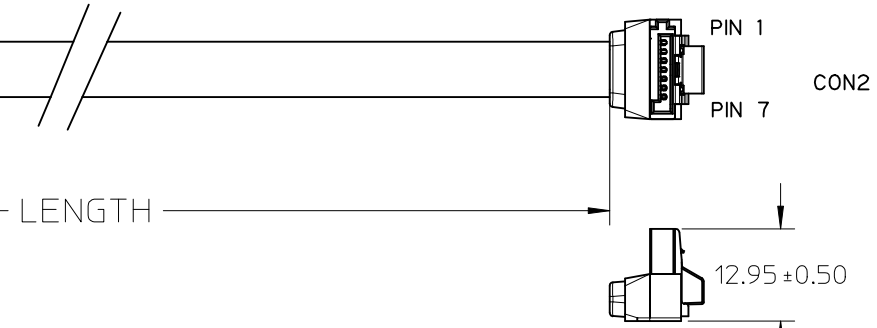
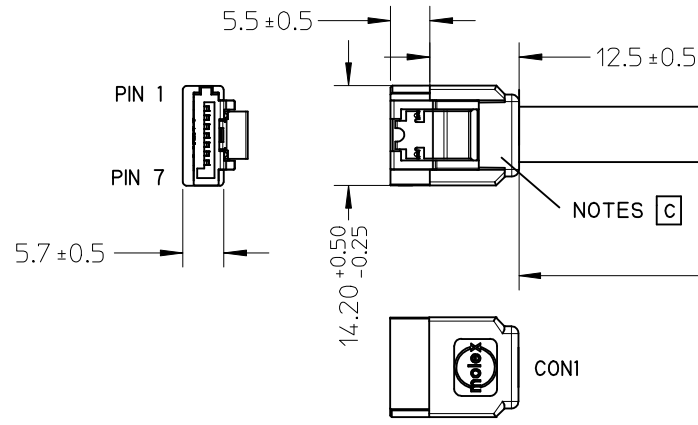
MOLEX P/N	LENGTH (mm)	LENGTH (inch)	DESCRIPTION
685610017	1000+/-20	40.0+/-0.8	S-ATA LATCHING STRAIGHT TO R/A CABLE. RED
685610016	500+/-10	20.0+/-0.4	S-ATA LATCHING STRAIGHT TO R/A CABLE. RED

ITEM	DESCRIPTION	L	QTY.
C	S-ATA STRAIGHT CONN.		1
B	2PX26AWG;SHLD:PVC;RD:2.2X7.6MM;SATA 1.0	SEE TABLE	1
A	S-ATA R/A CONN.		1

ENTER DESCRIPTION EC NO: CPG2014-3242 DRWN: XJGU001 CHKD: ZLLI APPR: FNIE	QUALITY SYMBOLS ▽=0 ▽=0	GENERAL TOLERANCES (UNLESS SPECIFIED)		DIMENSION STYLE MM ONLY		SCALE	DESIGN UNITS METRIC	THIRD ANGLE PROJECTION		
				mm	INCH	DRAWN BY JLIU13	DATE 2005/04/04	TITLE S-ATA STRAIGHT LATCHING TO R/A LATCHING SIGNAL CBL RED.0.5M,1.0M		
		4 PLACES ±---		±---	±---	CHECKED BY TEDDY	DATE 2005/04/04	MOLEX INCORPORATED		
		3 PLACES ±---		±---	±---	APPROVED BY BORON	DATE 2005/04/04	DOCUMENT NO. SD-68561-0016		
2 PLACES ±---		±---	±---	MATERIAL NO. 685610016		SHEET NO. 1 OF 1				
1 PLACE ±---		±---	±---	DRAFT WHERE APPLICABLE MUST REMAIN WITHIN DIMENSIONS		THIS DRAWING CONTAINS INFORMATION THAT IS PROPRIETARY TO MOLEX INCORPORATED AND SHOULD NOT BE USED WITHOUT WRITTEN PERMISSION				
ANGULAR ±---°										

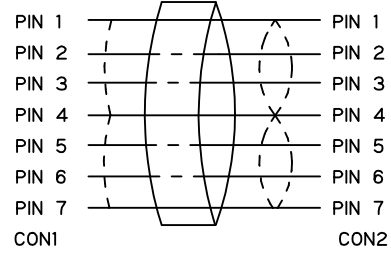
7 6 5 4 3 2 1

REVISION				
EC NO.	DATE	REV.	DESCRIPTION	CHANGER
CY11-6493	2011/04/13	G	CHANGE CABLE	ZLLI
CY15-5216	2014/08/26	H	CHANGE CABLE	LUCY



BACK SIDE

WIRE CHART



- NOTE:
- 1: OUTER MOLD WITH BLACK PVC RESIN
INNER MOLD WITH PE RESIN
ELECTRICAL PERFORMANCE:
DIELECTRONIC STRENGTH:500V DC/0.01S
 - 2: DIELECTRONIC STRENGTH:500V DC/0.01S
 - 3: INSULATION RESISTANCE:100M OHMS MIN.
 - 4: CONDUCTIVE RESISTOR: 2 OHMS MAX.
 - 5: THIS PRODUCT MECHANICAL AND ELECTRICAL PERFORMANCE REFER TO SATA INDUSTRIAL STANDARD.

MOLEX P/N	LENGTH (mm)	LENGTH (inch)	DESCRIPTION
685610017	1000+/-20	40.0+/-0.8	S-ATA LATCHING STRAIGHT TO R/A CABLE, RED
685610016	500+/-10	20.0+/-0.4	S-ATA LATCHING STRAIGHT TO R/A CABLE, RED

C	S-ATA STRAIGHT CONN.	1	
B	2PX26AWG;SHLD;PVC;RD;2.2X7.6MM;SATA 1.0	SEE TABLE	
A	S-ATA R/A CONN.	1	
ITEM	DESCRIPTION	L	QTY.

ENTER DESCRIPTION EC NO: CPG2015-1374 DRWN: JXIA004 CHKD: LUCY APPR: FNIE	QUALITY SYMBOLS ▽=0 ◻=0	GENERAL TOLERANCES (UNLESS SPECIFIED)		DIMENSION STYLE MM ONLY		SCALE ---	DESIGN UNITS METRIC	THIRD ANGLE PROJECTION	
				DRAWN BY GX YANG	DATE 04/08/10	TITLE S-ATA STRAIGHT LATCHING TO R/A LATCHING SIGNAL CBL RED.0.5M,1.0M			
				CHECKED BY TEDDY	DATE 04/08/10	APPROVED BY BORON			
				APPROVED BY BORON		DATE 04/08/10	MOLEX INCORPORATED		
DRAFT WHERE APPLICABLE MUST REMAIN WITHIN DIMENSIONS		MATERIAL NO. 685610016/7		DOCUMENT NO. SD-68561-002		SHEET NO. 1 OF 1			
THIS DRAWING CONTAINS INFORMATION THAT IS PROPRIETARY TO MOLEX INCORPORATED AND SHOULD NOT BE USED WITHOUT WRITTEN PERMISSION									

6 5 4 3 2 1