

10 9 8 7 6 5 4 3 2 1

F

F

E

E

D

D

C

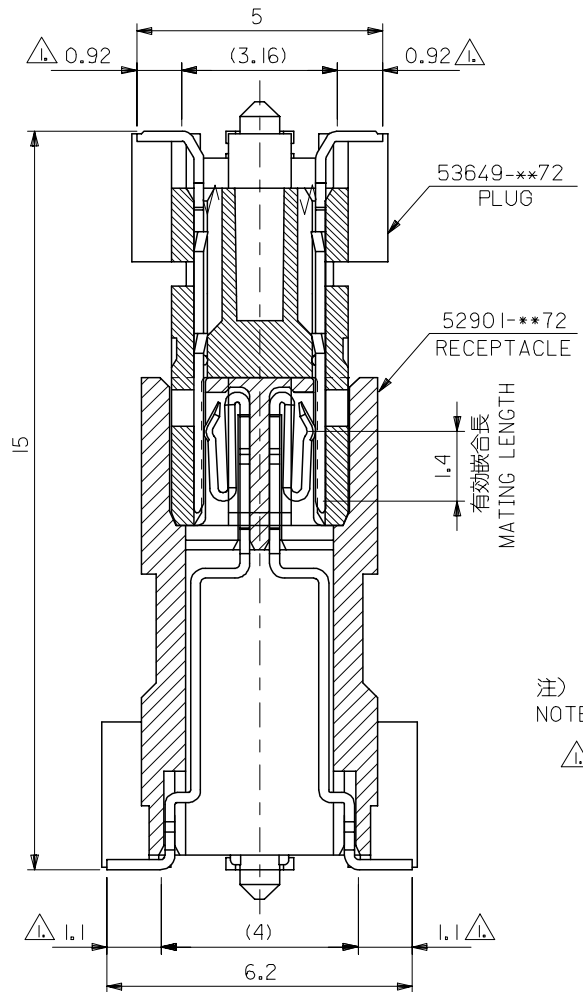
C

B

B

A

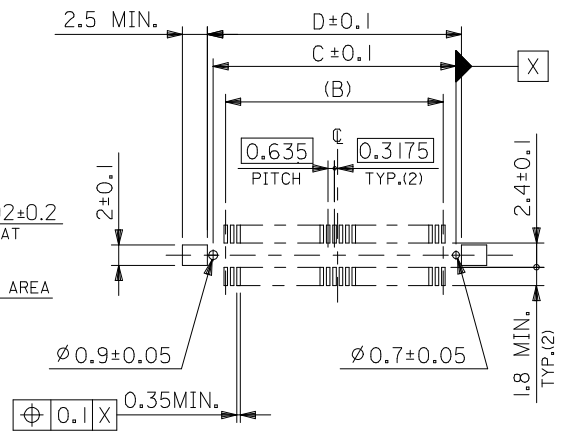
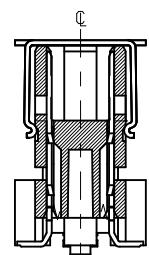
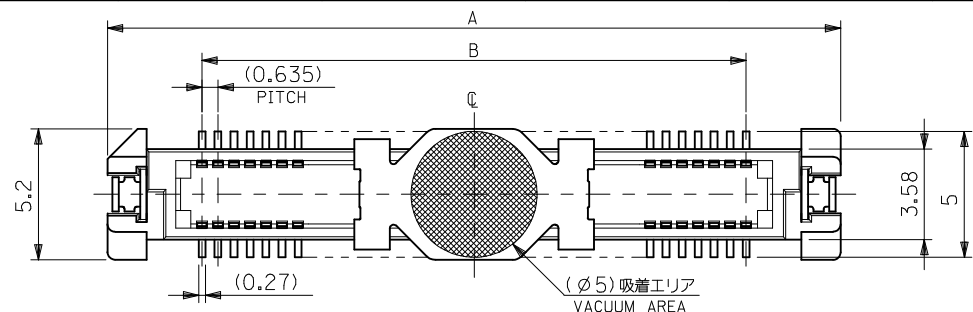
A



注)
NOTE)
△ 基板接地長さ
FLAT AREA

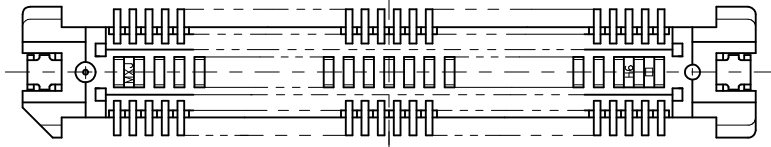
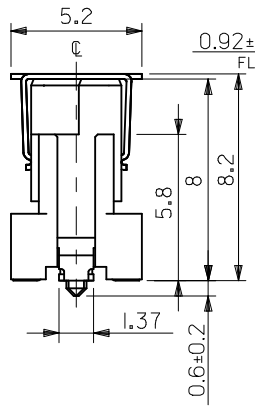
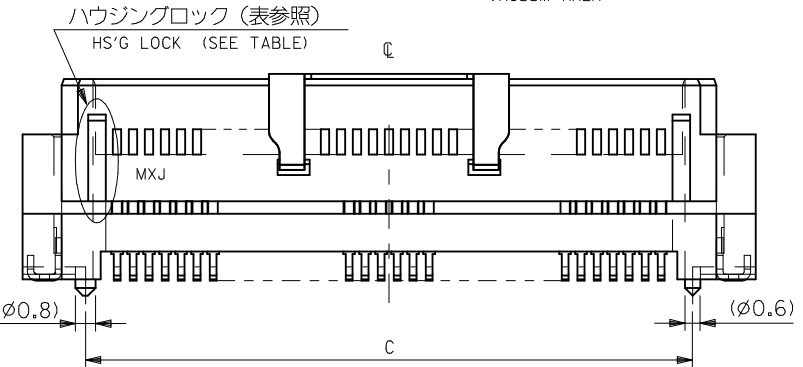
RELEASED EC NO: J2005-3798 DRW: KENSUZUKI 2005/06/20 CHK: D: NUKITA 2005/06/20 APPR: NUKITA 2005/06/23	GENERAL TOLERANCES (UNLESS SPECIFIED)		DIMENSION STYLE MM ONLY		SCALE 10:1	DESIGN UNITS METRIC	THIRD ANGLE PROJECTION	
	10 UNDER	±0.2	DRAWN BY KENSUZUKI	DATE 2005/06/20	TITLE 0.635 PITCH B TO B CONN. 52901/53649 SERIES MATING CROSS SECTION			
	10 OVER 30 UNDER	±0.25	CHECKED BY NUKITA	DATE 2005/06/20				
	30 OVER	±0.3	APPROVED BY NUKITA	DATE 2005/06/20	MOLEX INCORPORATED DOCUMENT NO. SD-52901-015 SHEET NO. 1 OF 1			
	ANGULAR	±3 °	MATERIAL NO. SEE DRAWING					
DRAFT WHERE APPLICABLE MUST REMAIN WITHIN DIMENSIONS		SIZE A3		THIS DRAWING CONTAINS INFORMATION THAT IS PROPRIETARY TO MOLEX INCORPORATED AND SHOULD NOT BE USED WITHOUT WRITTEN PERMISSION				

10 9 8 7 6 5 4 3 2 1



半田付け部詳細図
DETAIL FOR SOLDERING AREA

推奨基板寸法
RECOMMENDED PCB PATTERN LAYOUT
(SCALE:2-1)



注) NOTES

- 1.材質 MATERIAL
ハウジング: ガラス入りPPS、茶色、UL94V-0
HOUSING: G.F.PPS, BROWN, UL94V-0
ターミナル: 銅合金 (t=0.2)
TERMINAL: COPPER ALLOY
フィッティングネイル: 銅合金 (t=0.2)
FITTING NAIL: COPPER ALLOY
吸着カバー: ステンレス (t=0.2)
VACUUM COVER: STAINLESS STEEL
- 2.メッキ仕様 PLATING
ターミナル TERMINAL
接点部: 金メッキ 0.25 μmMIN.
CONTACT AREA: GOLD 0.25 μmMIN.
半田付け部: 錫メッキ 1.0 μmMIN.
SOLDER TAIL AREA: TIN 1.0 μmMIN.
下地メッキ: ニッケルメッキ 1.5 μmMIN.
UNDER-PLATING: NICKEL 1.5 μmMIN.
- 3.テールのバラツキ寸法 TAIL COPLANARITY
テール平坦度は、0.1MAX. とする。
TAIL COPLANARITY TO BE 0.1MAX.
- 4.本製品は 53649-***2 の鉛フリー品である。
THIS PRODUCT IS LEAD FREE OF 53649-***2

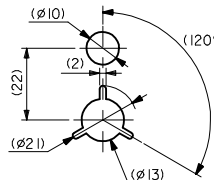
	47.42	46.32	43.815	51.32	—#—	53649-1475	53649-1472	140
無し NO	34.72	33.62	31.115	38.62	53649-1074	—#—	53649-1072	100
	28.37	27.27	24.765	32.27	53649-0874	53649-0875	53649-0872	80
有り YES	22.02	20.92	18.415	25.92	53649-0674	—#—	53649-0672	60
	15.67	14.57	12.065	19.57	53649-0474	53649-0475	53649-0472	40
	12.5	11.4	8.89	16.4	53649-0374	—#—	53649-0372	30
ハウジング HS'G LOCK	D	C	B	A	エンボス梱包 EMBOSSED PACKAGING	スティック梱包 STICK PACKAGING	製品番号 MATERIAL NO.	極数 CKT. NO.
							MODEL NO. 53649-***72	

REVISED EC NO: J2016-0892 DRWN: Y. SHIDA 2016/02/22 CHKD: K. TANAKA 03 2016/02/22 APP: R. KAWA 2016/02/29	GENERAL TOLERANCES (UNLESS SPECIFIED)		DIMENSION STYLE MM ONLY		SCALE ---	DESIGN UNITS METRIC	THIRD ANGLE PROJECTION	
	0.25 UNDER	UNDER	±0.03	DRAWN BY M. NABEI	DATE '04/02/25	TITLE 0.635 B/B CONN. PLUG HS'G COVER ASS'Y -LEAD FREE-		
	0.25 OVER	0.5 UNDER	±0.05	CHECKED BY K. TOJO	DATE '04/02/25			
	0.5 OVER	1.0 UNDER	±0.1	APPROVED BY M. SASAO	DATE '04/02/25			
1.0 OVER	10 UNDER	±0.2	MATERIAL NO.		DOCUMENT NO.	SHEET NO.		
10 OVER	30 UNDER	±0.25	SEE CHART		SD-53649-004	1 OF 1		
30 OVER		±0.3	DRAFT WHERE APPLICABLE MUST REMAIN WITHIN DIMENSIONS		THIS DRAWING CONTAINS INFORMATION THAT IS PROPRIETARY TO MOLEX ELECTRONIC TECHNOLOGIES, LLC AND SHOULD NOT BE USED WITHOUT WRITTEN PERMISSION			
ANGULAR	±3 °		SIZE A3					

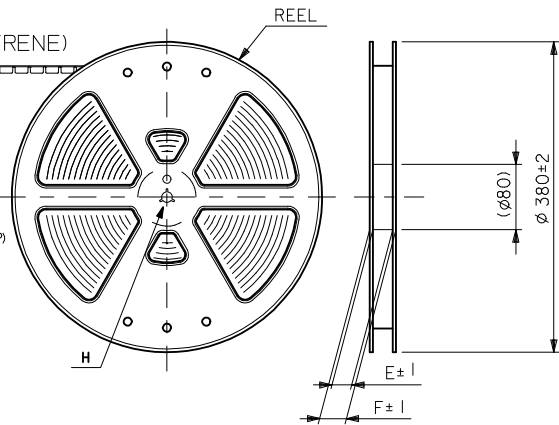
9 8 7 6 5 4 3 2 1

140極に対応(ブラリール)
FOR 140 CKT (REEL:POLYSTYRENE)

引き出し方向
PULL OUT DIRECTION

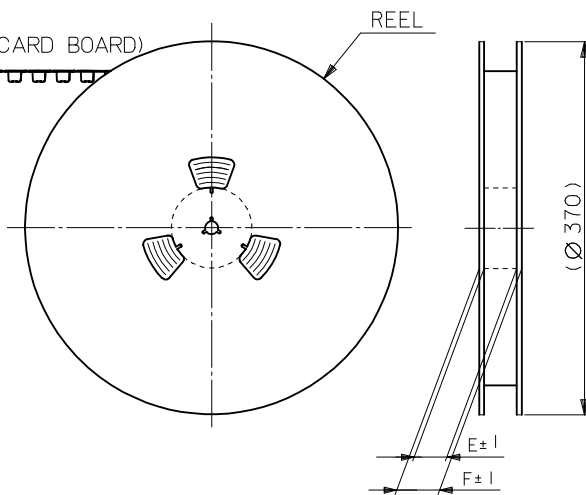


DETAIL H



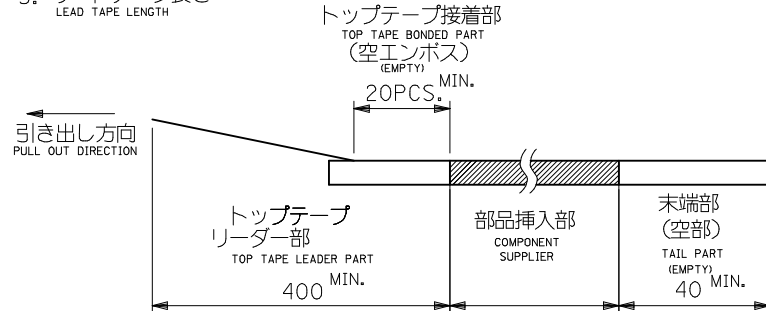
30,40,60,80,100極に対応(紙リール)
FOR 30,40,60,80,100 CKT (REEL:CARD BOARD)

引き出し方向
PULL OUT DIRECTION



注)
NOTES

- 製品番号 53649-***72 の詳細寸法については、SD-53649-004 を参照下さい。
IN THE PACKAGE , PART NO. 53649-***72 DETAILED DIMENSIONS , SEE SD-53649-004
- 梱包数量 : 760 個/リール
NUMBER OF CONNECTORS : 760 PCS/REEL
- リードテープ長さ
LEAD TAPE LENGTH



- トップテープの剥離強度 (剥離方向は下図参照)

PEELING OFF FORCE OF TOP TAPE (PEELING DIRECTION AS SHOWN IN FOLLOWING FIG.)

0.1 - 1.3 N (30,40,60,80,100CKT)

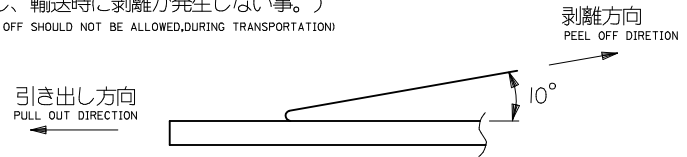
0.1 - 1.5 N (140CKT)

尚、本規格値は、出荷時に適用。

THIS REQUIREMENT SHOULD BE APPLIED AT SHIPMENT

(但し、輸送時に剥離が発生しない事。)

(PEEL OFF SHOULD NOT BE ALLOWED,DURING TRANSPORTATION)



- 材料

MATERIAL

キャリアテープ : ポリプロピレン (PP)

CARRIER TAPE : POLYPROPYLENE (PP)

トップテープ : PET, PE, PEF

TOP TAPE : PET, PE, P-F

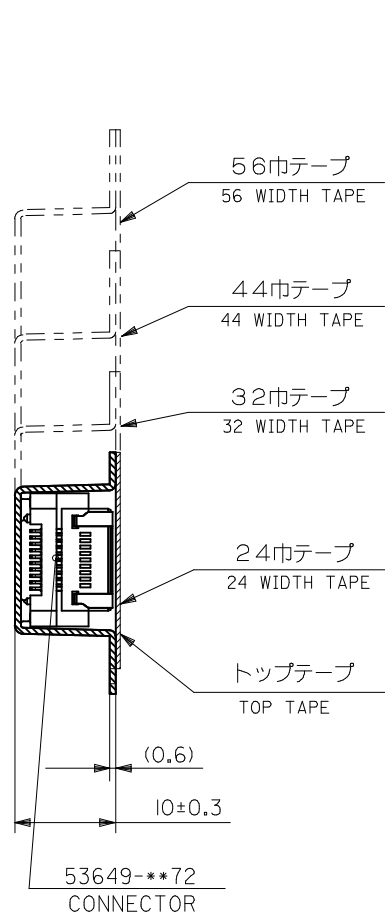
リール : 紙 (30,40,60,80,100極) ポリスチレン (140極)

REEL : CARDBOARD(FOR 30,40,60,80,100CKT) POLYSTYRENE(140CKT)

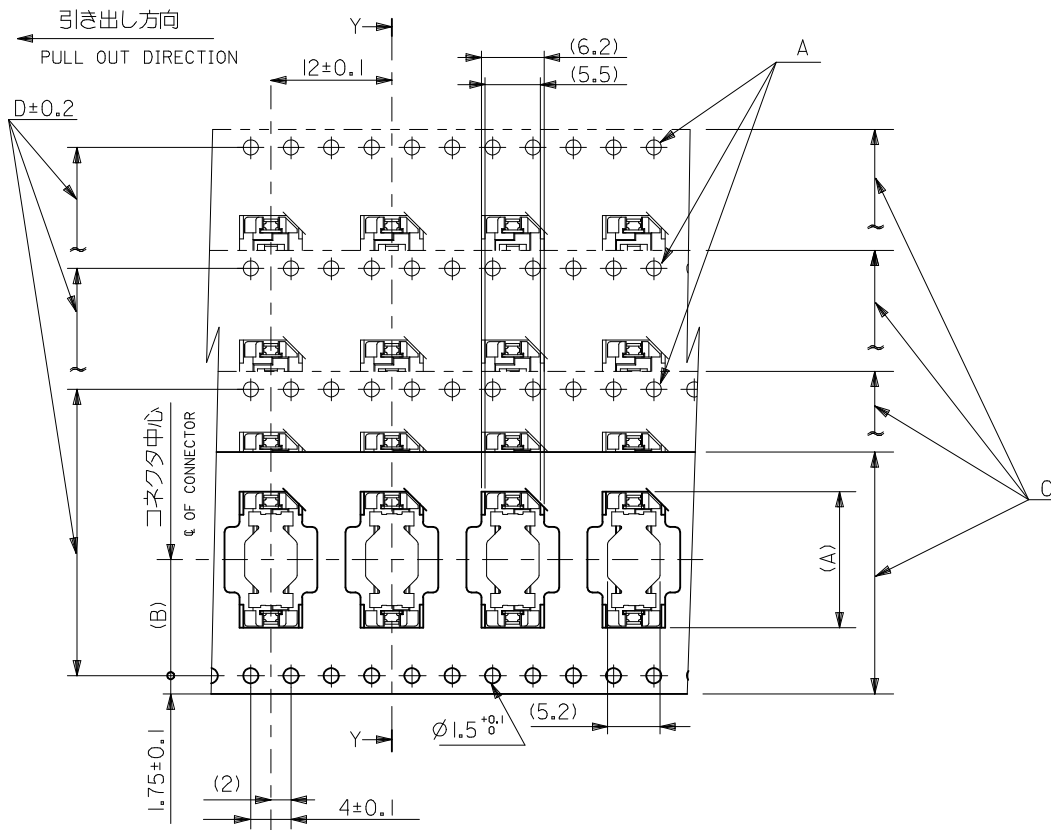
- 本製品は 53649-***4 の鉛フリー品である。

THIS PRODUCT IS LEAD FREE OF 53649-***4

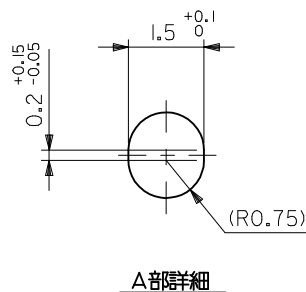
REVISED EC NO.: J2013-1013 2013/03/14 DRW:KTOYODA 2013/03/15 CHKD:TASAKAWA 2013/03/27 APPR:MSASAO	DESCRIPTION 10 UNDER 10 OVER 30 UNDER 30 OVER ANGULAR ±--- ° DRAFT WHERE APPLICABLE MUST REMAIN WITHIN DIMENSIONS	GENERAL TOLERANCES (UNLESS SPECIFIED)		DIMENSION STYLE MM ONLY		SCALE ---	DESIGN UNITS METRIC	THIRD ANGLE PROJECTION		
		10 UNDER	± ---	DRAWN BY M. NABE I	DATE '04/02/25	TITLE EMBOSSED TAPE PACKAGE FOR 53649-***72 -LEAD FREE-				
		10 OVER 30 UNDER	± ---	CHECKED BY K. TOJO	DATE '04/02/25					
		30 OVER	± ---	APPROVED BY M. SASAO	DATE '04/02/25					
REV		MATERIAL NO. SEE CHART		DOCUMENT NO. SD-53649-005		SHEET NO. 1 OF 2				
		SIZE A3		THIS DRAWING CONTAINS INFORMATION THAT IS PROPRIETARY TO MOLEX INCORPORATED AND SHOULD NOT BE USED WITHOUT WRITTEN PERMISSION						



断面 Y-Y
SECTION Y-Y



累積ピッチ : 40±0.2
ACCUMULATIVE
PITCH : 40±0.2



78.1	73.5	68.4	72 ^{+0.3}	34.2	51.6	53649-1474	140	
61.4	57.4	52.4	56 ^{+0.3}	26.2	38.9	53649-1074	100	
49.4	45.4	40.4	44 ^{+0.3}	20.2	32.6	53649-0874	80	
37.4	33.4	28.4	32 ^{+0.3}	14.2	26.2	53649-0674	60	
29.4	25.4	#	24 ^{+0.3}	11.5	19.9	53649-0474	40	
F	E	D	C	キャリアテープ幅 CARRIER TAPE WIDTH	(B)	(A)	MATERIAL NO.	極数 NO. OF CXTS.

MODEL NO. 53649-**74

REVISED EC NO: J2013-1013 2013/03/14 DRWN:KTOYODA 2013/03/14 CHKD:TASAKAWA 2013/03/27 APPR:MSASAO	GENERAL TOLERANCES (UNLESS SPECIFIED)		DIMENSION STYLE MM ONLY		SCALE ---	DESIGN UNITS METRIC	THIRD ANGLE PROJECTION	
	10 UNDER	± ---	DRAWN BY M. NABEI	DATE '04/02/25	TITLE EMBOSSD TAPE PACKAGE FOR 53649-**72 -LEAD FREE-			
	10 OVER 30 UNDER	± ---	CHECKED BY K. TOJO	DATE '04/02/25				
	30 OVER	± ---	APPROVED BY M. SASAO	DATE '04/02/25				
ANGULAR	± --- °	MATERIAL NO.		DOCUMENT NO.		SHEET NO.		
DRAFT WHERE APPLICABLE MUST REMAIN WITHIN DIMENSIONS		SEE CHART		SD-53649-005		2 OF 2		
		THIS DRAWING CONTAINS INFORMATION THAT IS PROPRIETARY TO MOLEX INCORPORATED AND SHOULD NOT BE USED WITHOUT WRITTEN PERMISSION						