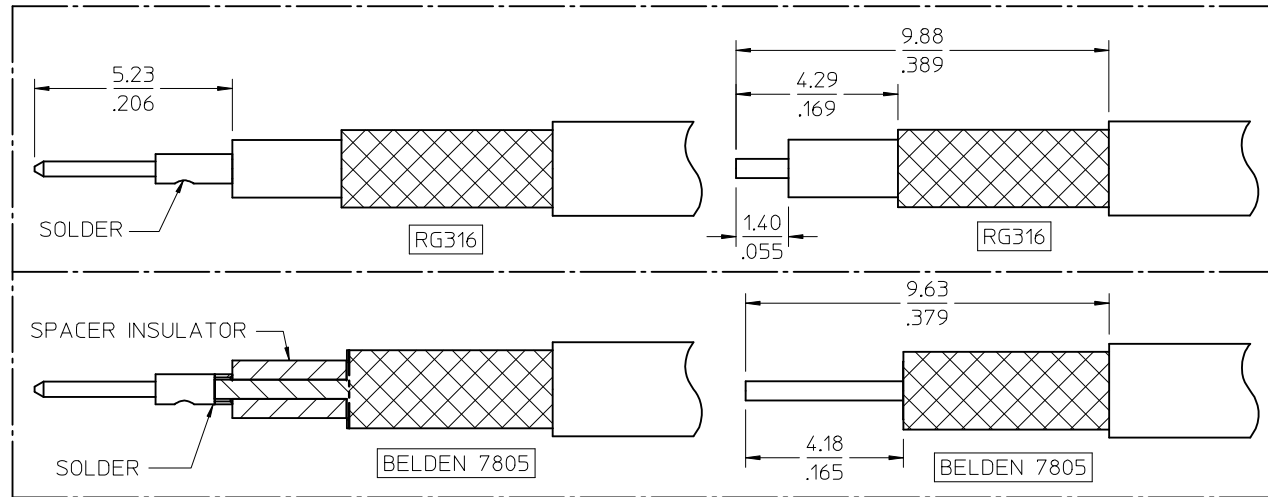
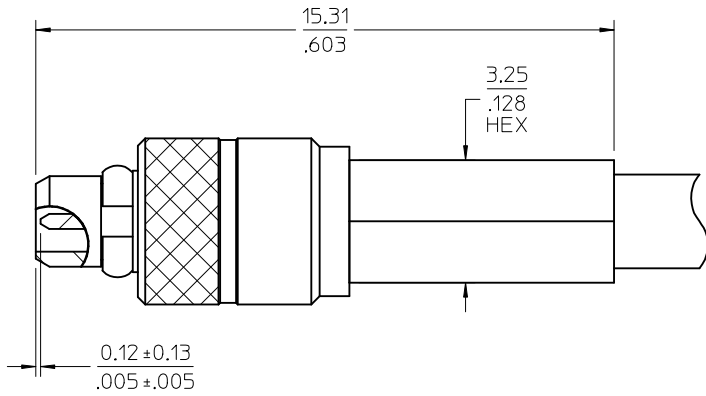
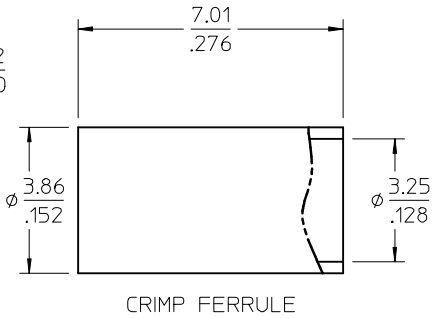
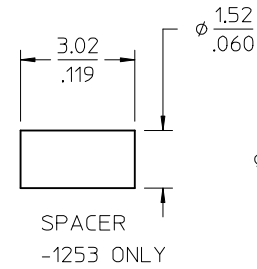
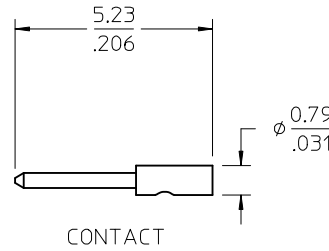
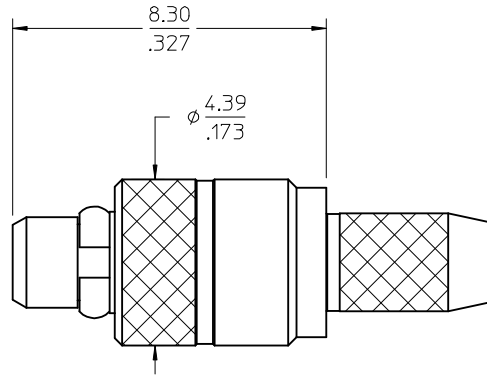


MATERIALS AND FINISHES

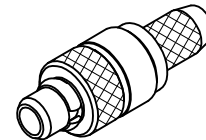
BODY BRASS
PLATED GOLD

CENTER CONTACT BRASS
PLATED GOLD

INSULATOR TEFLON



73415-1254	COMMERCIAL REQS	BAG
73415-1253	COMMERCIAL REQS	BAG, USING BELDEN 7805 CABLE
73415-1252	COMMERCIAL REQS	1 PIECE 73415-1251 IN SINGLE BAG WITH LABEL
73415-1251	COMMERCIAL REQS	BAG
73415-1250	MILITARY REQS	BAG
PART NO.	FINISH	PACKAGING



CECC-22-340	INTERFACE
PS-89675-1920	ELECTRO/MECH PERFORM.
SPECIFICATION	DESCRIPTION

CHG: 73415-1250.-1251-1253.-1254 PACKING NOTE UPDATE EWR RF-16-E098 EC NO: URF2016-0872 DRWN:YCHENG 2016/06/24 CHKD: APPR:YCHENG 2016/06/28 REV	QUALITY SYMBOLS	DESCRIPTION
	<p>▼=0</p> <p>▽=0</p>	A5

GENERAL TOLERANCES (UNLESS SPECIFIED)

	mm	INCH
4 PLACES ±	---	±---
3 PLACES ±	---	±---
2 PLACES ±	---	±---
1 PLACE ±	---	±---

ANGULAR ± 2 °

DRAFT WHERE APPLICABLE MUST REMAIN WITHIN DIMENSIONS

DIMENSION STYLE		SCALE	DESIGN UNITS	THIRD ANGLE PROJECTION
MM/IN			METRIC	
DRAWN BY	DATE	TITLE		
TEF	2000/06/13	MMCX PLUG STRAIGHT FOR RG316 CABLE MMCX-PC		
CHECKED BY	DATE			
SSS	2000/06/13			
APPROVED BY	DATE			
GMH	2000/06/13			
MATERIAL NO.	DOCUMENT NO.	SHEET NO.		
SEE TABLE	SD-73415-125	1 OF 1		

MOLEX INCORPORATED

THIS DRAWING CONTAINS INFORMATION THAT IS PROPRIETARY TO MOLEX INCORPORATED AND SHOULD NOT BE USED WITHOUT WRITTEN PERMISSION