

EC NO. DRWN: CHK: APPR:	EC NO. DRWN: CHK: APPR:	EC NO. DRWN: CHK: APPR:	EC NO. DRWN: CHK: APPR:
RELEASED EC NO. JD90381 DRWN: THIRATA '98/09/09 CHK: MSASAO '98/09/09 APPR: HIKESUGI '98/09/09			
REV DESCRIPTION 0 INS. RANGE 被覆外径 #			

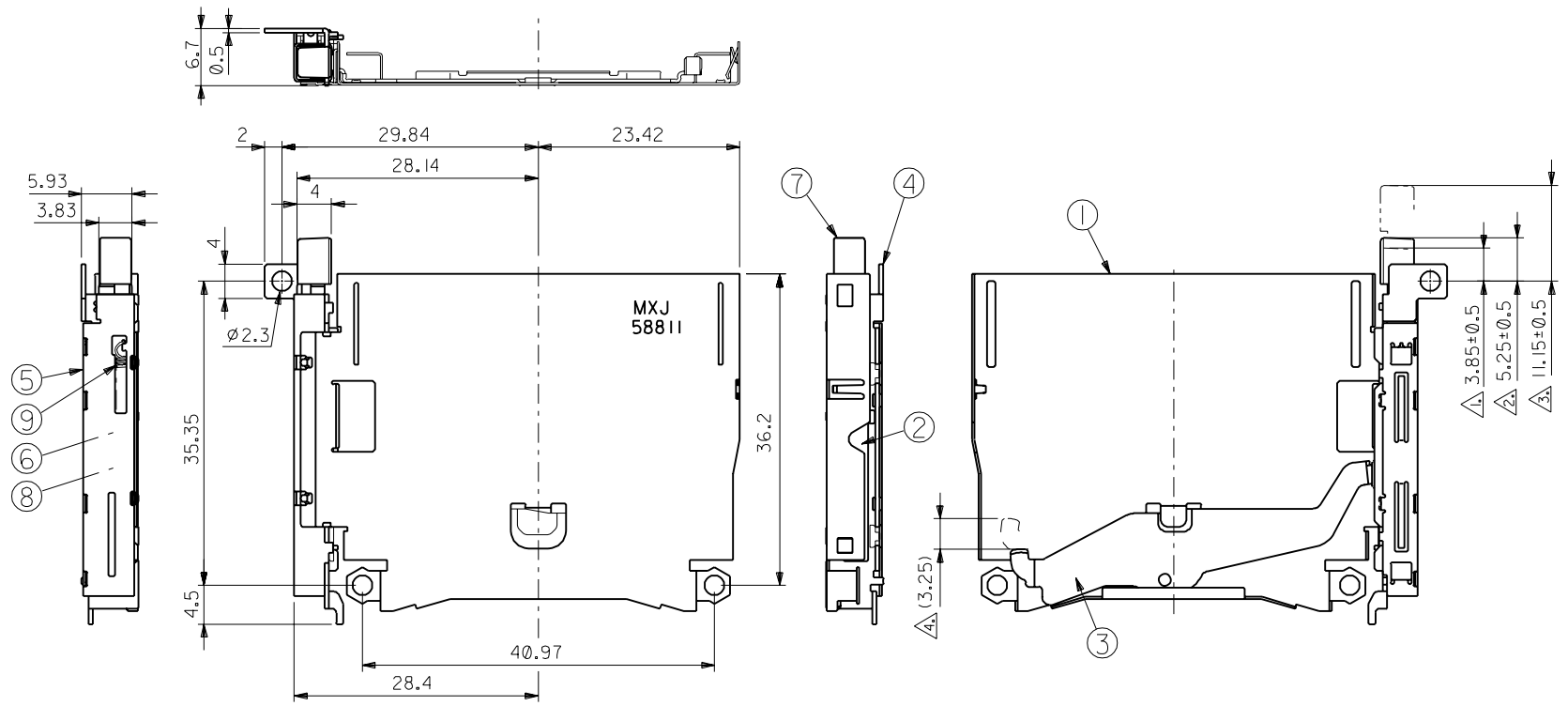
MATERIAL 材料	SEE NOTES
FINISH 仕上り	SEE NOTES
WIRE RANGE 通所用線形制	#
ANGLE 角度	+3°

GENERAL TOLERANCES: (UNLESS SPECIFIED) 一般公差	SCALE 2 - 1	DESIGN UNITS <input checked="" type="checkbox"/> mm <input type="checkbox"/> INCH	THIRD ANGLE PROJECTION <input checked="" type="checkbox"/> THIRD ANGLE <input type="checkbox"/> FIRST ANGLE
10 UNDER 未満	+0.2	DRAWN BY & DATE T. Hirata '98/09/09	TITLE: CF CARD CONN. EJECT MECHANISM EJECT ASS'Y
10 OVER 以上	+0.25	CHECKED BY & DATE H. Saito '98/09/09	APPROVED BY & DATE H. Saito '98/09/09
30 OVER 以上	+0.3	APPROVED BY & DATE	MATERIAL NO. 55365-0011
ANGLE 角度	+3°	CAD FILENAME 55365002.S01	DRAWING NO. SD-55365-002

DIMENSIONS: <input type="checkbox"/> mm <input type="checkbox"/> INCH <input checked="" type="checkbox"/> mm ONLY		SHT 1	REV
REVISIONS		REVISE ON CAD ONLY	
MATERIAL NO. 55365-0011		DRAWING NO. SD-55365-002	
SHEET NO. 1 OF 2		SIZE B	

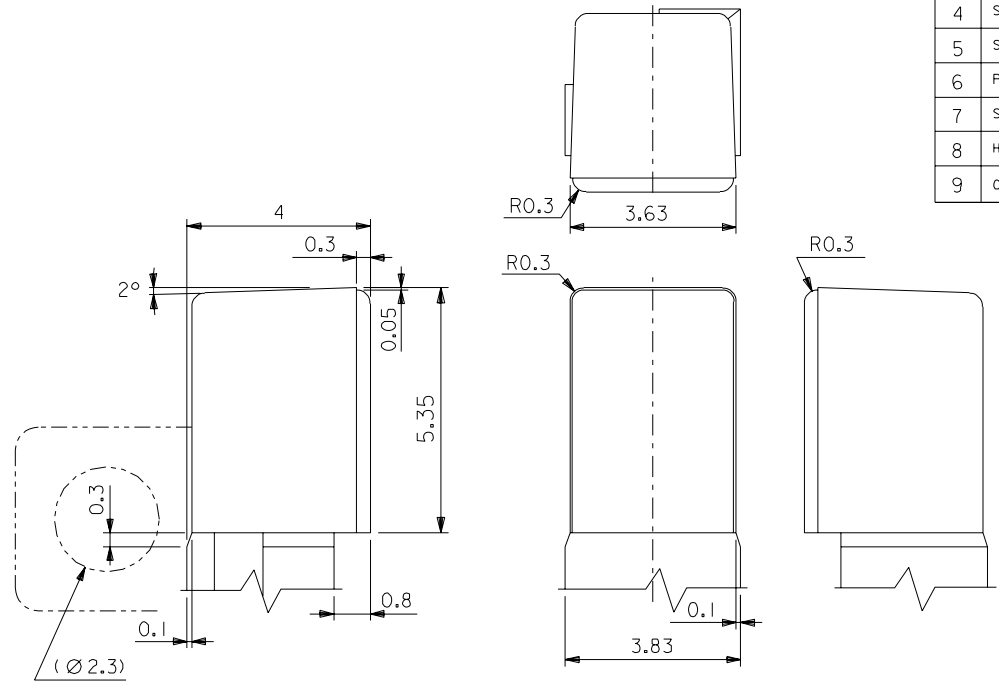
注) NOTES

- △1 ボタン・フルストローク位置。  
BUTTON'S FULL STROKE POSITION.
- △2 ボタン収納時位置。  
BUTTON'S IN POSITION.
- △3 ボタン突出時位置。  
BUTTON'S OUT POSITION.
- △4 イジェクト時、カード飛び出し量は(3.25)mm。  
IN EJECTING OPERATION, CARD OUT BY (3.25)mm.



DWG. NO. SD-55365-002

No.	品名 NAME	材料 MATERIAL	仕上り FINISH	個数 PIECE
1	METAL SHELL	ステンレス鋼 t 0.25 STAINLESS STEEL t 0.25	—	1
2	PUSH ROD	ステンレス鋼 t 0.5 STAINLESS STEEL t 0.5	—	1
3	LEVER	ステンレス鋼 t 0.4 STAINLESS STEEL t 0.4	—	1
4	SIDE PLATE	ステンレス鋼 t 0.5 STAINLESS STEEL t 0.5	—	1
5	SIDE COVER	ステンレス鋼 t 0.25 STAINLESS STEEL t 0.25	—	1
6	PIN PLATE	鋼 STEEL	フッ素樹脂コーティング FLUORINE RESIN COATING	1
7	SLIDER	ポリカーボネート UL94V-0 色 : 黒色 POLYCARBONATE UL94V-0 COLOR: BLACK	—	1
8	HEART CAM	ポリカーボネート UL94V-0 色 : 黒色 POLYCARBONATE UL94V-0 COLOR: BLACK	—	1
9	COIL SPRING	ステンレス鋼 φ 0.22 STAINLESS STEEL φ 0.22	—	1



ボタン詳細寸法  
DETAIL OF BUTTON

DO NOT SCALE DRAWING

EC NO. DRWN: CHK: APPR:	EC NO. DRWN: CHK: APPR:	EC NO. DRWN: CHK: APPR:	EC NO. DRWN: CHK: APPR:	EC NO. DRWN: CHK: APPR:	EC NO. DRWN: CHK: APPR: 0	REV DESCRIPTION I OF 2	MATERIAL 材料	GENERAL TOLERANCES: (UNLESS SPECIFIED) 一般公差	SCALE 2 - 1	DESIGN UNITS <input checked="" type="checkbox"/> mm <input type="checkbox"/> INCH	THIRD ANGLE PROJECTION	DIMENSIONS: <input type="checkbox"/> mm <input type="checkbox"/> INCH <input checked="" type="checkbox"/> mm ONLY	SHT	REV
							SEE NOTES	10 UNDER 未満	+0.2	DRAWN BY & DATE <i>T. Kizata</i> '98/09/09		TITLE: CF CARD CONN. EJECT MECHANISM EJECT ASS'Y	REVISE ON CAD ONLY	
							FINISH 仕上り	10 OVER 以上	30 UNDER 未満	+0.25	CHECKED BY & DATE <i>H. Saito</i> '98/09/09	MOLEX INCORPORATED		
							SEE NOTES	30 OVER 以上		+0.3	APPROVED BY & DATE <i>H. Saito</i> '98/09/09			
							WIRE RANGE 適用線径範囲	ANGLE 角度		+3°	CAD FILENAME 55365002.S02	MATERIAL NO. 55365-0011	DRAWING NO. SD-55365-002	SHEET NO. 2
							INS. RANGE 被覆外径		THIS DRAWING CONTAINS INFORMATION THAT IS PROPRIETARY TO MOLEX INCORPORATED AND SHOULD NOT BE USED WITHOUT WRITTEN PERMISSION.				SIZE B	

55365002.S02