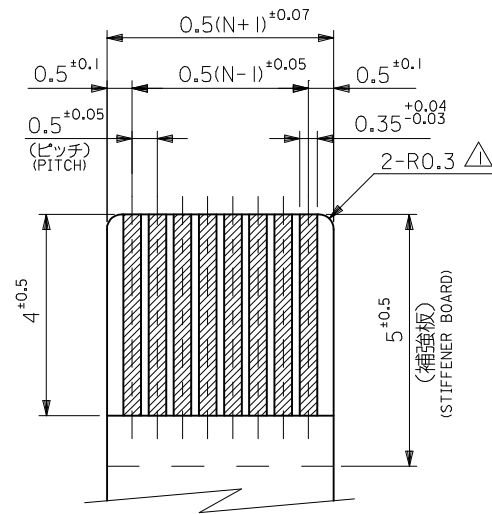


コネクタ位置
CONNECTOR POSITION

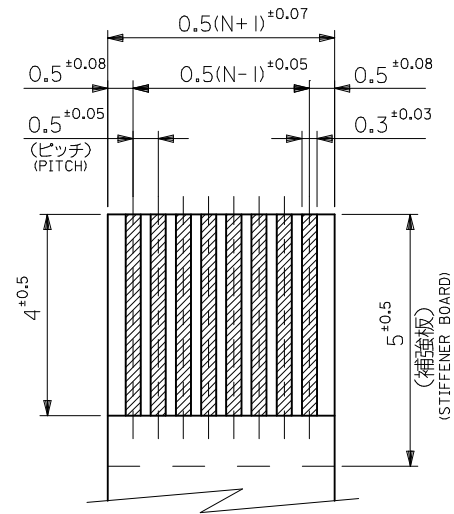
参考基板レイアウト
RECOMMENDED P.C.BOARD
PATTERN DIMENSION (REF.)
(マウント面)
(MOUNTING SIDE)

注記 NOTES

△ R0.3は、FPCの導体部にかからないこと。
R0.3 MUST NOT BE OVERLAPPED TO PATTERN OF FPC.



適合FPC推奨寸法
APPLICABLE FPC
RECOMMENDED DIMENSION
(仕上がり厚さ: 0.3 ± 0.03)
(THICKNESS: 0.3 ± 0.03)



適合FFC推奨寸法
APPLICABLE FFC
RECOMMENDED DIMENSION
(仕上がり厚さ: 0.3 ± 0.03)
(THICKNESS: 0.3 ± 0.03)

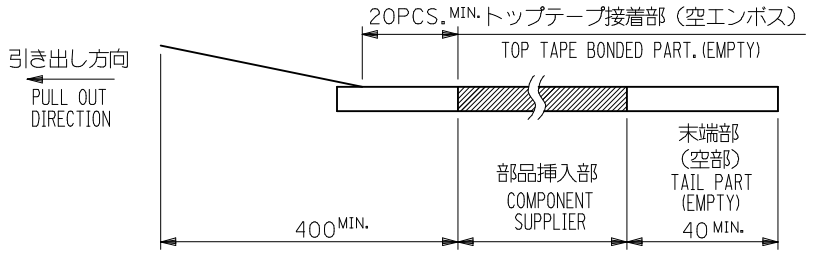
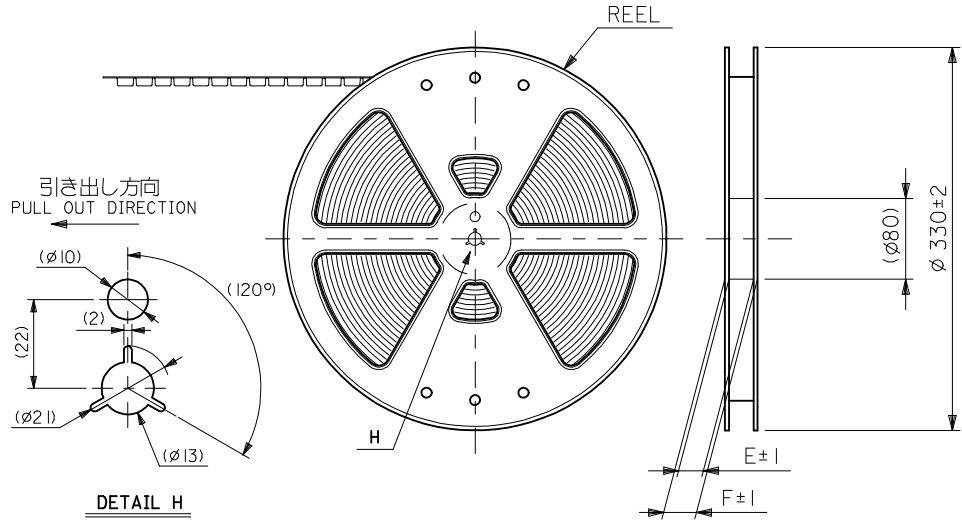
FPCについて:
打抜き方向は導体側から補強板側を推奨致します。
補強フィルム材質はポリイミドを推奨致します。
接着剤は熱硬化接着剤を推奨致します。
ABOUT FPC:
RECOMMENDED PUNCHER DIRECTION: FROM CONDUCTOR SIDE TO STIFFENER BOARD SIDE.
RECOMMENDED MATERIAL:
STIFFENER FILM: POLYIMIDE
BONDING AGENT: THERMOSETTING BONDING AGENT

52893-**-19 MODEL NO.

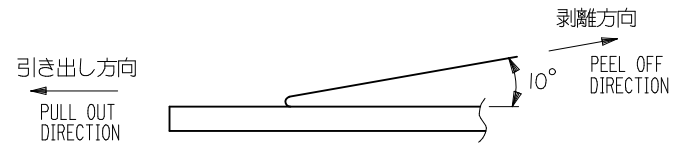
REVISED EC NO: J2016-0623 DRWN:SKITAZAWA 2015/12/11 CHKD:YKOBAYASHI 2016/02/15 APPR:TKUSUHARA01 2016/02/17	GENERAL TOLERANCES (UNLESS SPECIFIED)		DIMENSION STYLE MM ONLY		SCALE ---	DESIGN UNITS METRIC	THIRD ANGLE PROJECTION	
	0.25 UNDER	UNDER	± 0.03	DRAWN BY M. NAGATA	DATE '04/01/09	TITLE 0.5 FPC CONN ASSY ZIF SMT RA BTM CONT E/O TYPE -LEAD FREE-		
	0.25 OVER	0.5 UNDER	± 0.05	CHECKED BY K. TOJO	DATE '04/01/09	molex		
	0.5 OVER	1.0 UNDER	± 0.1	APPROVED BY M. SASAO	DATE '04/01/09			
	1.0 OVER	10 UNDER	± 0.2	MATERIAL NO.	DOCUMENT NO.	SHEET NO.		
10 OVER	30 UNDER	± 0.25	SEE SHEET 1		SD-52893-040		2 OF 2	
30 OVER		± 0.3	THIS DRAWING CONTAINS INFORMATION THAT IS PROPRIETARY TO MOLEX ELECTRONIC TECHNOLOGIES, LLC AND SHOULD NOT BE USED WITHOUT WRITTEN PERMISSION					
ANGULAR	± 3 °							
DRAFT WHERE APPLICABLE MUST REMAIN WITHIN DIMENSIONS								

注記 NOTES

- 製品詳細寸法については図面 SD-52893-040 を参照下さい。
RE DETAILED DIMENSION, SEE SD-52893-040
- 梱包数量：1000個/リール
NUMBER OF CONNECTORS : 1000PCS/REEL
- リードテープ長さ LEAD TAPE LENGTH

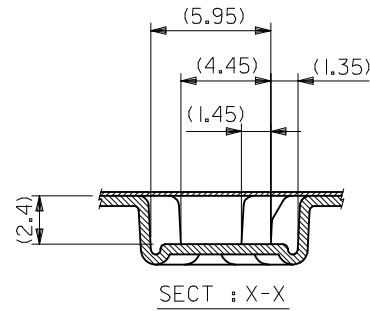
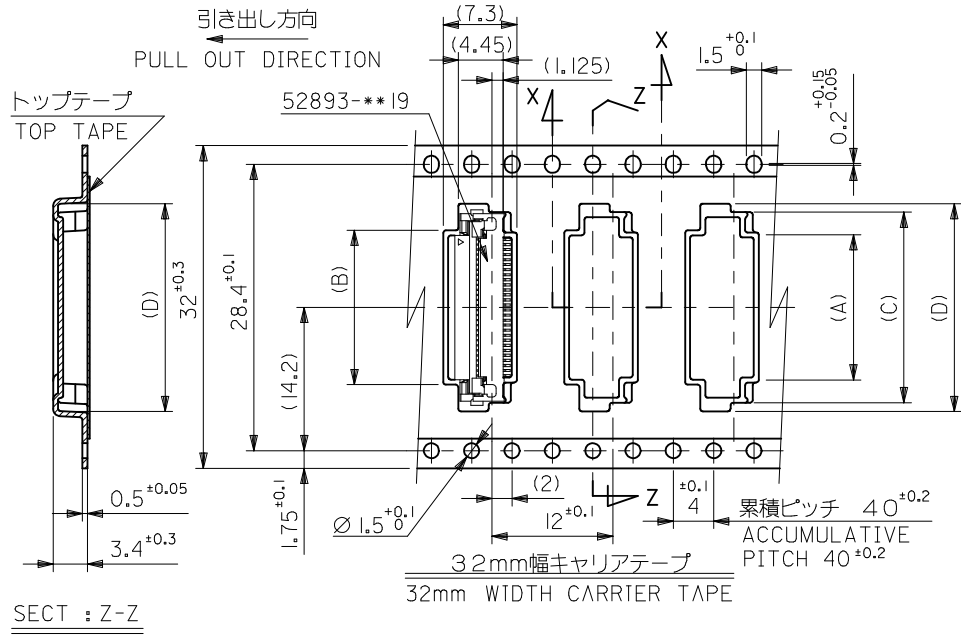
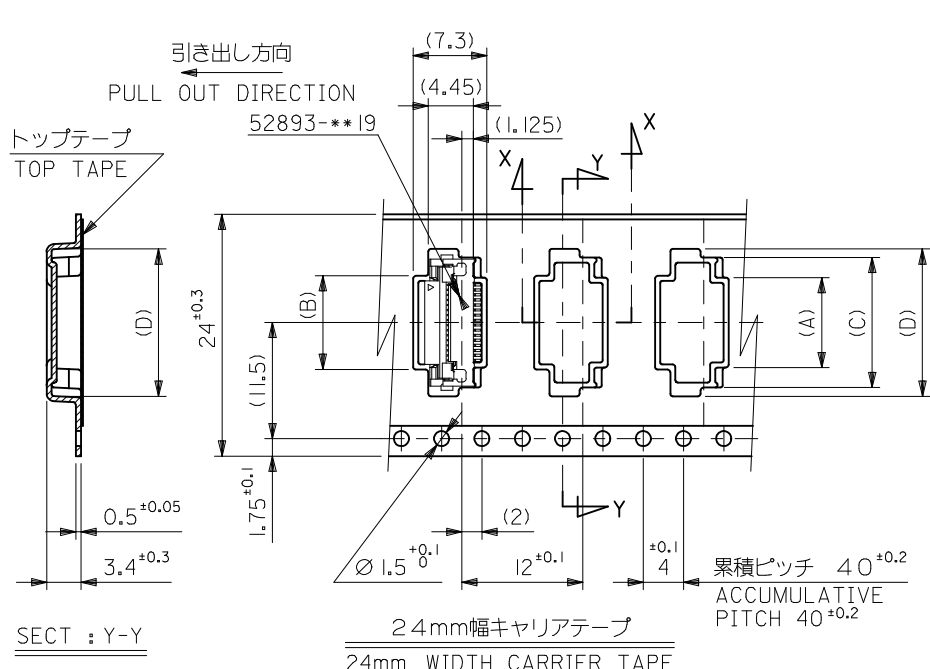


- トップテープの剥離強度：0.1〜1.3N(10〜130gf)
(剥離方向は下図参照)
尚、本規格値は出荷時に適用。(但し、輸送時に剥離が発生しないこと。)
PEELING OFF FORCE OF TOP TAPE : 0.1〜1.3N(10〜130gf)
(PEELING DIRECTION AS SHOWN IN FOLLOWING FIG.)
THIS REQUIREMENT SHOULD BE APPLIED AT SHIPMENT.
PEEL OFF SHOULD NOT BE ALLOWED , DURING TRANSPORTATION.



- 材料
キャリアテープ：ポリプロピレン (PP)
トップテープ：PET, PE, PEF
リール：ポリスチレン (PS) <リサイクル材を含む>
MATERIAL CARRIER TAPE:POLYPROPYLENE
TOP TAPE:PET,PE,PEF
REEL:POLYSTYRENE(PS)
<RECYCLE MATERIAL CONTAINED>
- 本製品は 52893-***90 の鉛フリー品である。
THIS PRODUCT IS LEAD FREE OF 52893-***90

REVISED EC NO: J2016-0623 DRWN:SKITAZAWA 2015/12/11 CHKD:YKOBAYASHI 2016/02/15 APPR:TKUSUHARA01 2016/02/17	GENERAL TOLERANCES (UNLESS SPECIFIED)			DIMENSION STYLE MM ONLY		SCALE ---	DESIGN UNITS METRIC	THIRD ANGLE PROJECTION	
	0.25 UNDER	UNDER	±0.03	DRAWN BY	DATE	TITLE			
	0.25 OVER	0.5 UNDER	±0.05	M. NAGATA	'04/01/09	0.5 FPC CONN ASSY ZIF			
	0.5 OVER	1.0 UNDER	±0.1	CHECKED BY	DATE	-LEAD FREE-			
	1.0 OVER	10 UNDER	±0.2	K. TOJO	'04/01/09	molex			
10 OVER	30 UNDER	±0.25	APPROVED BY	DATE	MATERIAL NO. ENTER PART		DOCUMENT NO. SD-52893-041	SHEET NO. 1 OF 2	
30 OVER		±0.3	DRAFT WHERE APPLICABLE MUST REMAIN WITHIN DIMENSIONS			THIS DRAWING CONTAINS INFORMATION THAT IS PROPRIETARY TO MOLEX ELECTRONIC TECHNOLOGIES, LLC AND SHOULD NOT BE USED WITHOUT WRITTEN PERMISSION			
ANGULAR	±3 °		SIZE	A3					



32	37.4	33.4	21.6	19.9	16.1	15.9	52893-3095	30
			20.6	18.9	15.1	14.9	-2895	28
24	29.4	25.4	19.6	17.9	14.1	13.9	-2695	26
			18.6	16.9	13.1	12.9	-2495	24
			17.6	15.9	12.1	11.9	-2295	22
			17.1	15.4	11.6	11.4	-2195	21
			16.6	14.9	11.1	10.9	-2095	20
			15.6	13.9	10.1	9.9	-1895	18
			14.6	12.9	9.1	8.9	-1695	16
			14.1	12.4	8.6	8.4	-1595	15
			13.6	11.9	8.1	7.9	-1495	14
			13.1	11.4	7.6	7.4	-1395	13
12.6	10.9	7.1	6.9	-1295	12			
12.1	10.4	6.6	6.4	-1195	11			
11.6	9.9	6.1	5.9	-1095	10			
10.6	8.9	5.1	4.9	52893-0895	8			
キャリアテープ幅 CARRIER TAPE WIDTH	F	E	(D)	(C)	(B)	(A)	MATERIAL NO.	極数 CIRCUIT

MODEL NO. 52893-***95

REVISED EC NO: J2016-0623 DRWN:SKITAZAWA 2015/12/11 CHKD:YKOBAYASHI 02/2016/02/15 APPR:TKUSUHARA01 2016/02/17	GENERAL TOLERANCES (UNLESS SPECIFIED)		DIMENSION STYLE		SCALE		DESIGN UNITS		THIRD ANGLE PROJECTION	
	0.25 UNDER UNDER ±0.03		MM ONLY		---		METRIC		0.5 FPC CONN ASSY ZIF	
	0.25 OVER 0.5 UNDER ±0.05		DRAWN BY DATE		---		---		-LEAD FREE-	
	0.5 OVER 1.0 UNDER ±0.1		M. NAGATA '04/01/09		---		---		molex	
	1.0 OVER 10 UNDER ±0.2		CHECKED BY DATE		---		---		SD-52893-041	
10 OVER 30 UNDER ±0.25		K. TOJO '04/01/09		---		---		2 OF 2		
30 OVER ±0.3		APPROVED BY DATE		---		---		THIS DRAWING CONTAINS INFORMATION THAT IS PROPRIETARY TO MOLEX ELECTRONIC TECHNOLOGIES, LLC AND SHOULD NOT BE USED WITHOUT WRITTEN PERMISSION		
ANGULAR ±3 °		MATERIAL NO. DOCUMENT NO.		---		---		SHEET NO.		
DRAFT WHERE APPLICABLE MUST REMAIN WITHIN DIMENSIONS		ENTER PART		---		---		2 OF 2		