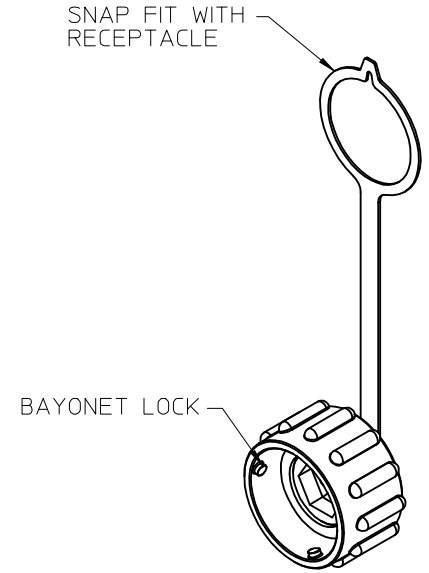
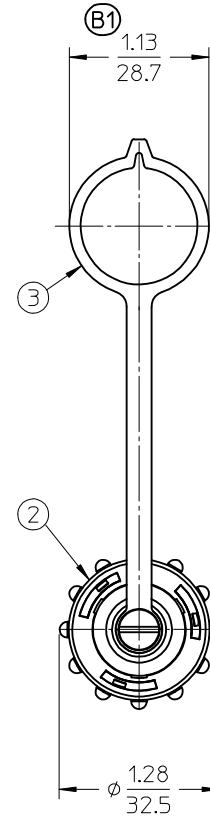
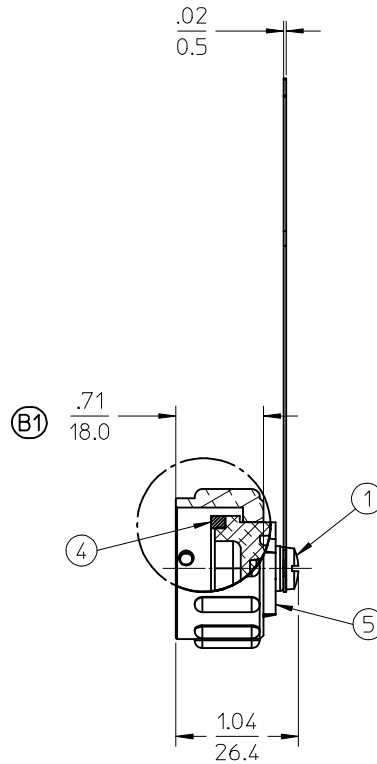
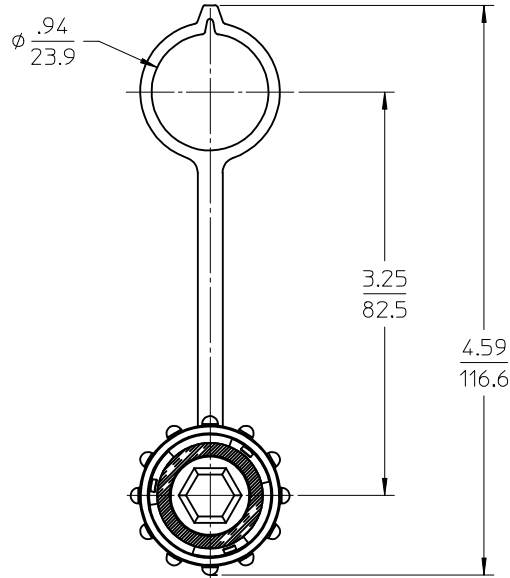


COLOR	MATERIAL NO.	ENGINEERING NO.	GASKET SEAL
BLACK	847000003	84700-0003	NITRILE (BLACK)
WHITE	847000011	84700-0011	SILICONE (BROWN) UL 94V-0
BLACK	847000017 (B)	84700-0017	SILICONE (BROWN) UL 94V-0



- NOTES:
1. MATERIAL: SEE BOM
  2. FINISH: SEE BOM
  3. DIMS. SHOWN ARE FOR REFERENCE ONLY
  4. ASSEMBLY IS RoHS COMPLIANT

5	1	DUST COVER RJ-45	POLYESTER	SEE CHART
4	1	GASKET, SEAL	SEE CHART	SEE CHART
3	1	DIE CUT TETHER, UL94-V0	POLYPROPYLENE	SEE CHART
2	1	COUPLING RING RJ-45	POLYESTER	SEE CHART
1	1	SCREW #8-32X.290 BHD SLOT	BRASS	NICKEL PLATED
ITEM	QTY.	DESCRIPTION	MATERIAL	FINISH

NEW P/N, ADD CHART  
 MINOR REVISMS  
 EC NO: IPGZ014-1746  
 2014/04/09  
 DR: WAINSTONE  
 2014/04/23  
 CHK: B RUPERT  
 2014/07/01  
 APPR: J MURPHY

QUALITY SYMBOLS  
 ▽=0  
 ▽=0  
 DESCRIPTION  
 REV B1

GENERAL TOLERANCES (UNLESS SPECIFIED)	
4 PLACES	± .005
3 PLACES	± .01
2 PLACES	± .015
1 PLACE	± .02
0 PLACE	± .03
ANGULAR ± .005°	
DRAFT WHERE APPLICABLE MUST REMAIN WITHIN DIMENSIONS	

DIMENSION STYLE IN/MM	
DRAWN BY BRUPERT	DATE 2013/07/09
CHECKED BY	DATE
APPROVED BY BWOODMAN	DATE 2013/07/09
MATERIAL NO. SEE CHART	

SCALE 1:1	DESIGN UNITS INCH	THIRD ANGLE PROJECTION
TITLE DUST COVER, RJ-45 INDUSTRIAL ETHERNET		
DOCUMENT NO. SD-84700-014		SHEET NO. 1 OF 1
THIS DRAWING CONTAINS INFORMATION THAT IS PROPRIETARY TO MOLEX INCORPORATED AND SHOULD NOT BE USED WITHOUT WRITTEN PERMISSION		