

LMV7235, LMV7239 and LMV7239-Q1 75-ns, Ultra Low Power, Low Voltage, Rail-to-Rail Input Comparator with Open-Drain and Push-Pull Output

1 Features

- $V_S = 5\text{ V}$, $T_A = 25^\circ\text{C}$ (Typical Values Unless Otherwise Specified)
- Propagation Delay 75 ns
- Low supply Current 65 μA
- Rail-to-Rail Input
- Open Drain and Push-pull Output
- Ideal for 2.7-V and 5-V Single Supply Applications
- Available in Space-saving Packages:
 - 5-pin SOT-23
 - 5-pin SC70
- LMV7239-Q1 is Qualified for Automotive Applications:
 - Device Temperature AEC-Q100 Grade 1: -40°C to 125°C Operating Range
 - Device HBM ESD Classification Level 1C

2 Applications

- Portable and Battery Powered Systems
- Set Top Boxes
- High Speed Differential Line Receiver
- Window Comparators
- Zero-crossing Detectors
- High Speed Sampling Circuits

3 Description

The LMV7235, LMV7239 and LMV7239-Q1 are ultra low power, low voltage, 75-ns comparators. They are guaranteed to operate over the full supply voltage range of 2.7 V to 5.5 V. These devices achieve a 75 ns propagation delay while consuming only 65 μA of supply current at 5 V.

The LMV7235, LMV7239 and LMV7239-Q1 have a greater than rail-to-rail common mode voltage range. The input common mode voltage range extends 200 mV below ground and 200 mV above supply, allowing both ground and supply sensing.

The LMV7235 features an open drain output. By connecting an external resistor, the output of the comparator can be used as a level shifter.

The LMV7239 and LMV7239-Q1 features a push-pull output stage. This feature allows operation without the need of an external pull-up resistor.

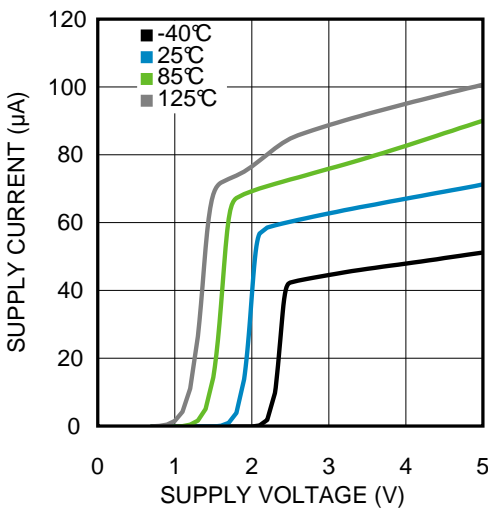
The LMV7235, LMV7239 and LMV7239-Q1 are available in the 5-Pin SC70 and 5-Pin SOT-23 packages, which are ideal for systems where small size and low power is critical.

Device Information⁽¹⁾

PART NUMBER	PACKAGES	BODY SIZE (NOM)
LMV7235, LMV7239 and LMV7239-Q1	SOT-23 (5)	2.90 mm x 1.60 mm
	SC70 (5)	2.00 mm x 1.25 mm

(1) For all available packages, see the orderable addendum at the end of the data sheet.

Supply Current vs. Supply Voltage



Propagation Delay vs. Overdrive

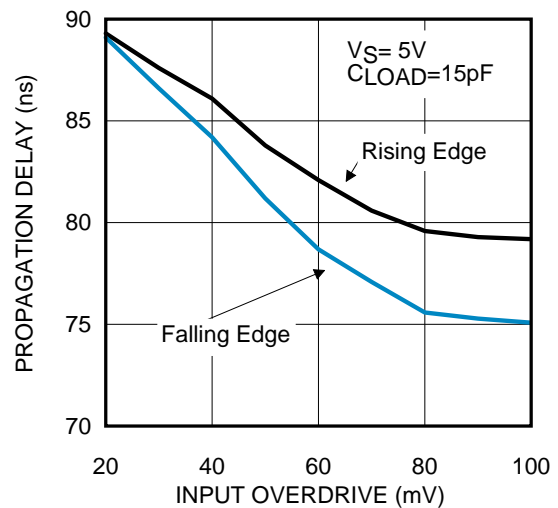


Table of Contents

1 Features 1 2 Applications 1 3 Description 1 4 Revision History 2 5 Pin Configuration and Functions 3 6 Specifications 4 6.1 Absolute Maximum Ratings 4 6.2 ESD Ratings, LMV7235 and LMV7239..... 4 6.3 ESD Ratings, LMV7239-Q1 4 6.4 Recommended Operating Conditions 4 6.5 Thermal Information 4 6.6 Electrical Characteristics, 2.7 V 5 6.7 Electrical Characteristics, 5 V 6 7 Typical Performance Characteristics 7 8 Detailed Description 10 8.1 Overview 10 8.2 Functional Block Diagram 10	8.3 Feature Description..... 10 8.4 Device Functional Modes..... 11 9 Application and Implementation 15 9.1 Application Information..... 15 9.2 Typical Applications 15 10 Power Supply Recommendations 18 11 Layout 19 11.1 Layout Guidelines 19 11.2 Layout Example 19 12 Device and Documentation Support 20 12.1 Device Support..... 20 12.2 Documentation Support 20 12.3 Related Links 20 12.4 Trademarks 20 12.5 Electrostatic Discharge Caution..... 20 12.6 Glossary 20 13 Mechanical, Packaging, and Orderable Information 20
---	--

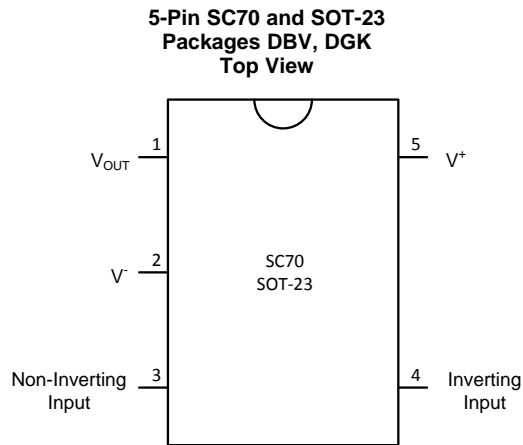
4 Revision History

NOTE: Page numbers for previous revisions may differ from page numbers in the current version.

Changes from Revision M (February 2013) to Revision N	Page
<ul style="list-style-type: none"> • Added, updated, or renamed the following sections: Device Information Table, <i>Pin Configuration and Functions</i>; <i>Specifications</i>. <i>Detailed Description</i><i>Layout</i>; <i>Device and Documentation Support</i>; <i>Mechanical, Packaging, and Ordering Information</i>..... 	1

Changes from Revision L (February 2013) to Revision M	Page

5 Pin Configuration and Functions



Pin Functions

PIN		I/O	DESCRIPTION
NO.	NAME		
1	V _{OUT}	O	Output
2	V ⁻	P	Negative Supply
3	IN ⁺	I	Non-inverting Input
4	IN ⁻	I	Inverting Input
5	V ⁺	P	Positive Supply

6 Specifications

6.1 Absolute Maximum Ratings⁽¹⁾

Over operating free-air temperature range (unless otherwise noted)

	MIN	MAX	UNIT
Differential Input Voltage		± Supply Voltage	V
Output Short Circuit Duration		See ⁽²⁾	
Supply Voltage (V ⁺ - V ⁻)		6	V
SOLDERING INFORMATION			
Infrared or Convection (20 sec)		235	°C
Wave Soldering (10 sec)		260 (lead temp)	°C
Voltage at Input/Output Pins		(V ⁺) +0.3, (V ⁻) -0.3	V
Current at Input Pin ⁽³⁾		±10	mA
Storage Temperature, T _{stg}	-65	150	°C
Junction Temperature, T _j		150	°C

- (1) Stresses beyond those listed under absolute maximum ratings may cause permanent damage to the device. These are stress ratings only, and functional operation of the device at these or any other conditions beyond those indicated under recommended operating conditions is not implied. Exposure to absolute-maximum-rated conditions for extended periods may affect device reliability.
- (2) Applies to both single-supply and split-supply operation. Continuous short circuit operation at elevated ambient temperature can result in exceeding the maximum allowed junction temperature of 150°C. Output currents in excess of ±30mA over long term may adversely affect reliability.
- (3) Limiting input pin current is only necessary for input voltages that exceed absolute maximum input voltage ratings.

6.2 ESD Ratings, LMV7235 and LMV7239

			VALUE	UNIT
V _(ESD)	Electrostatic discharge	Human-body model (HBM), per ANSI/ESDA/JEDEC JS-001 ⁽¹⁾	±1000	V
		Machine model (MM)	±100	

- (1) JEDEC document JEP155 states that 500-V HBM allows safe manufacturing with a standard ESD control process. Manufacturing with less than 500-V HBM is possible with the necessary precautions.

6.3 ESD Ratings, LMV7239-Q1

			VALUE	UNIT
V _(ESD)	Electrostatic discharge	Human-body model (HBM), per AEC Q100-002 ⁽¹⁾	±1000	V
		Machine model (MM)	±100	
		Charged-device model (CDM), per AEC Q100-011 ⁽¹⁾	±750	
		DBV package only		

- (1) JEDEC document JEP157 states that 250-V CDM allows safe manufacturing with a standard ESD control process. Manufacturing with less than 250-V CDM is possible with the necessary precautions.

6.4 Recommended Operating Conditions

		MIN	MAX	UNIT
Supply Voltages (V ⁺ - V ⁻)		2.7	5.5	V
Temperature Range ⁽¹⁾	LMV7235/LMV7239	-40	85	°C
	LMV7239Q	-40	125	°C

- (1) The maximum power dissipation is a function of T_{J(MAX)}, θ_{JA}. The maximum allowable power dissipation at any ambient temperature is P_D = (T_{J(MAX)} - T_A) / θ_{JA}. All numbers apply for packages soldered directly onto a PC Board.

6.5 Thermal Information

THERMAL METRIC ⁽¹⁾		SC70	SOT-23	UNIT
		5 PINS	5 PINS	
R _{θJA}	Junction-to-ambient thermal resistance	478	265	°C/W

- (1) For more information about traditional and new thermal metrics, see the *IC Package Thermal Metrics* application report, [SPRA953](http://www.ti.com/lit/zip/Spra953).

6.6 Electrical Characteristics, 2.7 V

Unless otherwise specified, all limits guaranteed for $T_A = 25^\circ\text{C}$, $V_{CM} = V^+/2$, $V^+ = 2.7\text{ V}$, $V^- = 0\text{ V}$.
 LMV7239 in table below also applies to LMV7239-Q1 unless noted.

		TEST CONDITIONS	MIN ⁽¹⁾	TYP ⁽²⁾	MAX ⁽¹⁾	UNIT
V_{OS}	Input Offset Voltage			0.8	6	mV
		At temp extremes			8	
I_B	Input Bias Current			30	400	nA
		At temp extremes			600	
I_{OS}	Input Offset Current			5	200	nA
		At temp extremes			400	
CMRR	Common Mode Rejection Ratio	$0\text{ V} < V_{CM} < 2.7\text{ V}^{(3)}$	52	62		dB
PSRR	Power Supply Rejection Ratio	$V^+ = 2.7\text{ V}$ to 5 V	65	85		dB
V_{CM}	Input Common-Mode Voltage Range	CMRR > 50 dB	$V^- - 0.1$	-0.2 to 2.9	$V^+ + 0.1$	V
		At temp extremes	V^-		V^+	
V_O	Output Swing High (LMV7239 only)	$I_L = 4\text{ mA}$, $V_{ID} = 500\text{ mV}$	$V^+ - 0.35$	$V^+ - 0.26$		V
		$I_L = 0.4\text{ mA}$, $V_{ID} = 500\text{ mV}$		$V^+ - 0.02$		V
	Output Swing Low	$I_L = -4\text{ mA}$, $V_{ID} = -500\text{ mV}$		230	350	mV
		At temp extremes			450	
		$I_L = -0.4\text{ mA}$, $V_{ID} = -500\text{ mV}$		15		mV
I_{SC}	Output Short Circuit Current	Sourcing, $V_O = 0\text{ V}$ (LMV7239 only) ⁽⁴⁾		15		mA
		Sinking, $V_O = 2.7\text{ V}$ (LMV7235, $R_L = 10\text{ k}$) ⁽⁴⁾		20		mA
I_S	Supply Current	No load		52	85	μA
		At temp extremes			100	
t_{PD}	Propagation Delay	Overdrive = 20 mV $C_{LOAD} = 15\text{ pF}^{(5)}$		96		ns
		Overdrive = 50 mV $C_{LOAD} = 15\text{ pF}^{(5)}$		87		ns
		Overdrive = 100 mV $C_{LOAD} = 15\text{ pF}^{(5)}$		85		ns
t_{SKEW}	Propagation Delay Skew (LMV7239 only)	Overdrive = 20 mV ⁽⁶⁾		2		ns
t_r	Output Rise Time	LMV7239/LMV7239Q 10% to 90%		1.7		ns
		LMV7235 10% to 90% ⁽⁵⁾		112		ns
t_f	Output Fall Time	90% to 10%		1.7		ns
$I_{LEAKAGE}$	Output Leakage Current (LMV7235 only)			3		nA

- (1) All limits are guaranteed by testing or statistical analysis.
- (2) Typical values represent the most likely parametric norm as determined at the time of characterization. Actual typical values may vary over time and will also depend on the application and configuration. The typical values are not tested and are not guaranteed on shipped production material.
- (3) CMRR is not linear over the common mode range. Limits are guaranteed over the worst case from 0 to $V_{CC/2}$ or $V_{CC/2}$ to V_{CC} .
- (4) Applies to both single-supply and split-supply operation. Continuous short circuit operation at elevated ambient temperature can result in exceeding the maximum allowed junction temperature of 150°C . Output currents in excess of $\pm 30\text{ mA}$ over long term may adversely affect reliability.
- (5) A 10k pull-up resistor was used when measuring the LMV7235. The rise time of the LMV7235 is a function of the R-C time constant.
- (6) Propagation Delay Skew is defined as the absolute value of the difference between t_{PDLH} and t_{PDHL} .

6.7 Electrical Characteristics, 5 V

Unless otherwise specified, all limits guaranteed for $T_A = 25^\circ\text{C}$, $V_{CM} = V^+/2$, $V^+ = 5\text{V}$, $V^- = 0\text{V}$.
LMV7239 in table below also applies to LMV7239-Q1 unless noted.

		TEST CONDITIONS		MIN ⁽¹⁾	TYP ⁽²⁾	MAX ⁽¹⁾	UNIT
V_{OS}	Input Offset Voltage				1	6	mV
		At temp extremes				8	
I_B	Input Bias Current				30	400	nA
		At temp extremes				600	
I_{OS}	Input Offset Current				5	200	nA
		At temp extremes				400	
CMRR	Common Mode Rejection Ratio	$0\text{V} < V_{CM} < 5\text{V}$		52	67		dB
PSRR	Power Supply Rejection Ratio	$V^+ = 2.7\text{V}$ to 5V		65	85		dB
V_{CM}	Input Common-Mode Voltage Range	CMRR > 50dB		$V^- - 0.1$	-0.2 to 5.2	$V^+ + 0.1$	V
			At temp extremes	V^-		V^+	
V_O	Output Swing High (LMV7239 only)	$I_L = 4\text{mA}$, $V_{ID} = 500\text{mV}$		$V^+ - 0.25$	$V^+ - 0.15$		V
		$I_L = 0.4\text{mA}$, $V_{ID} = 500\text{mV}$			$V^+ - 0.01$		V
	Output Swing Low	$I_L = -4\text{mA}$, $V_{ID} = -500\text{mV}$			230	350	mV
			At temp extremes				450
		$I_L = -0.4\text{mA}$, $V_{ID} = -500\text{mV}$			10	mV	
I_{SC}	Output Short Circuit Current	Sourcing, $V_O = 0\text{V}$ (LMV7239 only) ⁽³⁾		25	55		mA
			At temp extremes		15		
		Sinking, $V_O = 5\text{V}$ (LMV7235, $R_L = 10\text{k}$) ⁽³⁾		30	60		mA
At temp extremes		20					
I_S	Supply Current	No load			65	95	μA
			At temp extremes				
t_{PD}	Propagation Delay	Overdrive = 20 mV $C_{LOAD} = 15\text{pF}$ ⁽⁴⁾			89		ns
		Overdrive = 50 mV $C_{LOAD} = 15\text{pF}$ ⁽⁴⁾			82		ns
		Overdrive = 100 mV $C_{LOAD} = 15\text{pF}$ ⁽⁴⁾			75		ns
t_{SKEW}	Propagation Delay Skew (LMV7239 only)	Overdrive = 20 mV ⁽⁵⁾			1		ns
t_r	Output Rise Time	LMV7239 10% to 90%			1.2		ns
		LMV7235 10% to 90% ⁽⁴⁾			100		ns
t_f	Output Fall Time	90% to 10%			1.2		ns
$I_{LEAKAGE}$	Output Leakage Current (LMV7235 only)				3		nA

- (1) All limits are guaranteed by testing or statistical analysis.
- (2) Typical values represent the most likely parametric norm as determined at the time of characterization. Actual typical values may vary over time and will also depend on the application and configuration. The typical values are not tested and are not guaranteed on shipped production material.
- (3) Applies to both single-supply and split-supply operation. Continuous short circuit operation at elevated ambient temperature can result in exceeding the maximum allowed junction temperature of 150°C . Output currents in excess of $\pm 30\text{mA}$ over long term may adversely affect reliability.
- (4) A 10k pull-up resistor was used when measuring the LMV7235. The rise time of the LMV7235 is a function of the R-C time constant.
- (5) Propagation Delay Skew is defined as the absolute value of the difference between t_{PDLH} and t_{PDHL} .

7 Typical Performance Characteristics

(Unless otherwise specified, $V_S = 5V$, $C_L = 10pF$, $T_A = 25^\circ C$).

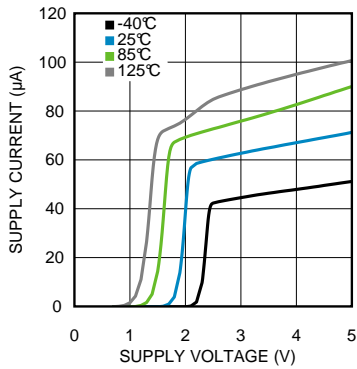


Figure 1. Supply Current vs. Supply Voltage

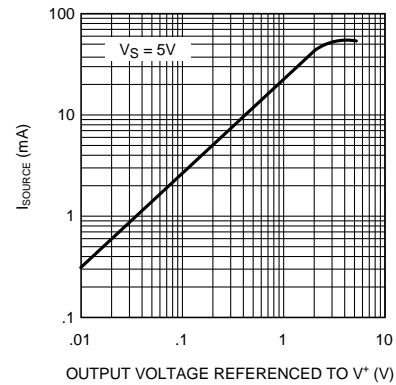


Figure 2. Sourcing Current vs. Output Voltage

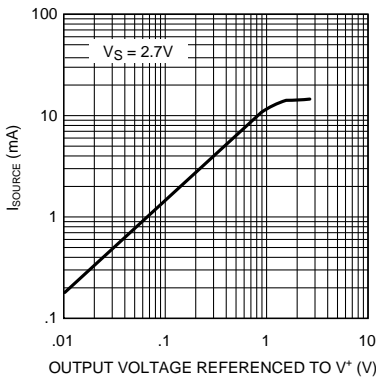


Figure 3. Sourcing Current vs. Output Voltage

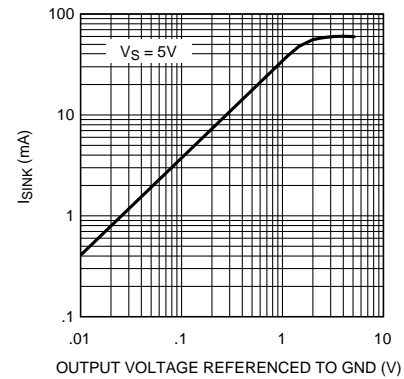


Figure 4. Sinking Current vs. Output Voltage

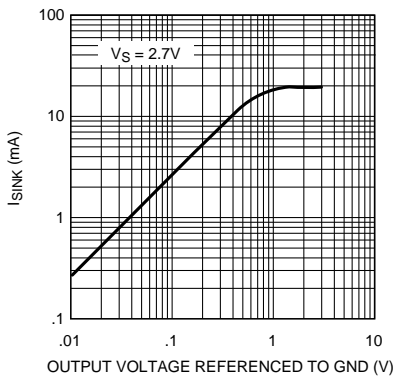


Figure 5. Sinking Current vs. Output Voltage

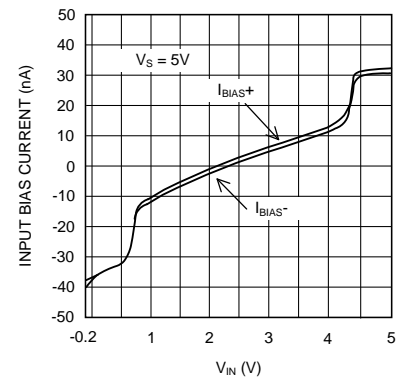


Figure 6. Input Bias Current vs. Input Voltage

Typical Performance Characteristics (continued)

(Unless otherwise specified, $V_S = 5V$, $C_L = 10pF$, $T_A = 25^\circ C$).

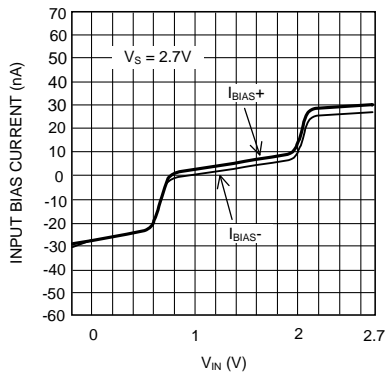


Figure 7. Input Bias Current vs. Input Voltage

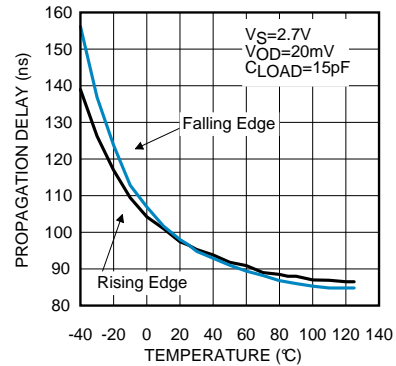


Figure 8. Propagation Delay vs. Temperature

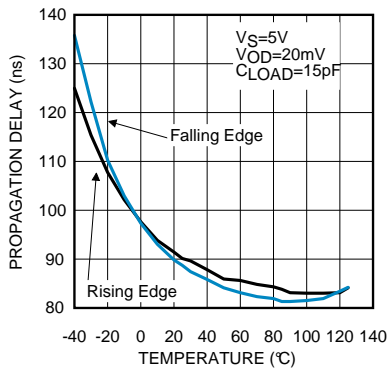


Figure 9. Propagation Delay vs. Temperature

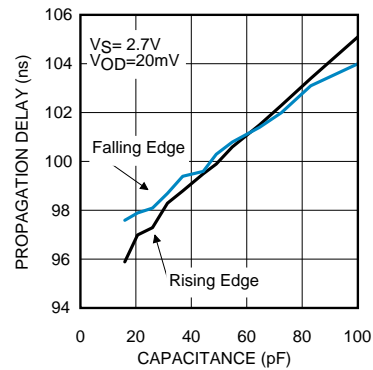


Figure 10. Propagation Delay vs. Capacitive Load

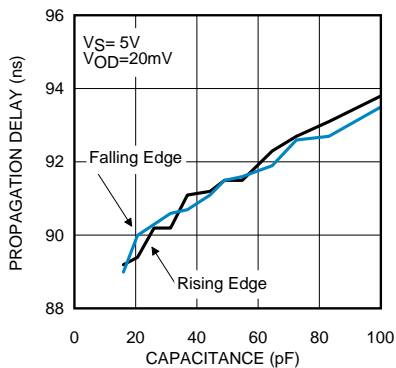


Figure 11. Propagation Delay vs. Capacitive Load

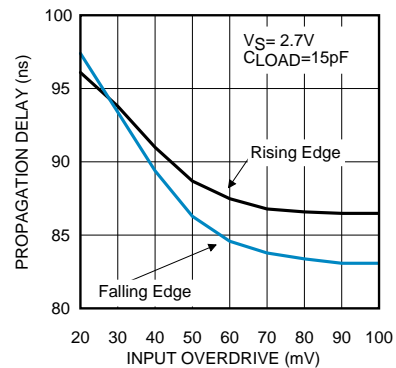


Figure 12. Propagation Delay vs. Input Overdrive

Typical Performance Characteristics (continued)

(Unless otherwise specified, $V_S = 5V$, $C_L = 10pF$, $T_A = 25^\circ C$).

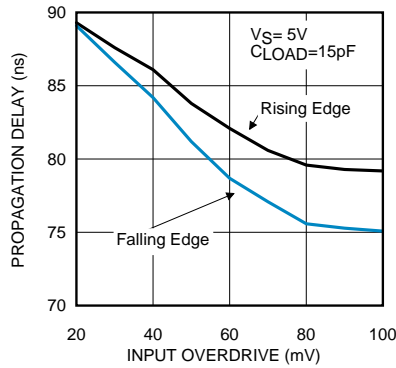


Figure 13. Propagation Delay vs. Input Overdrive

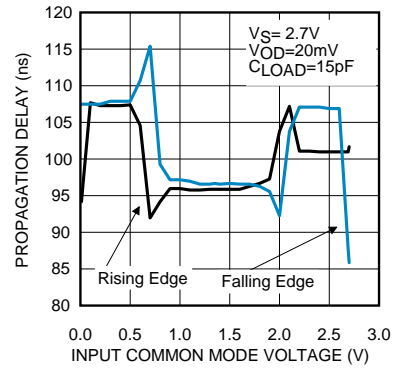


Figure 14. Propagation Delay vs. Common Mode Voltage

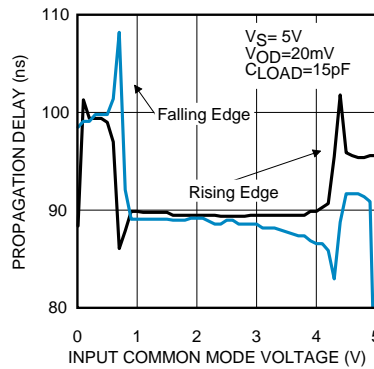


Figure 15. Propagation Delay vs. Common Mode Voltage

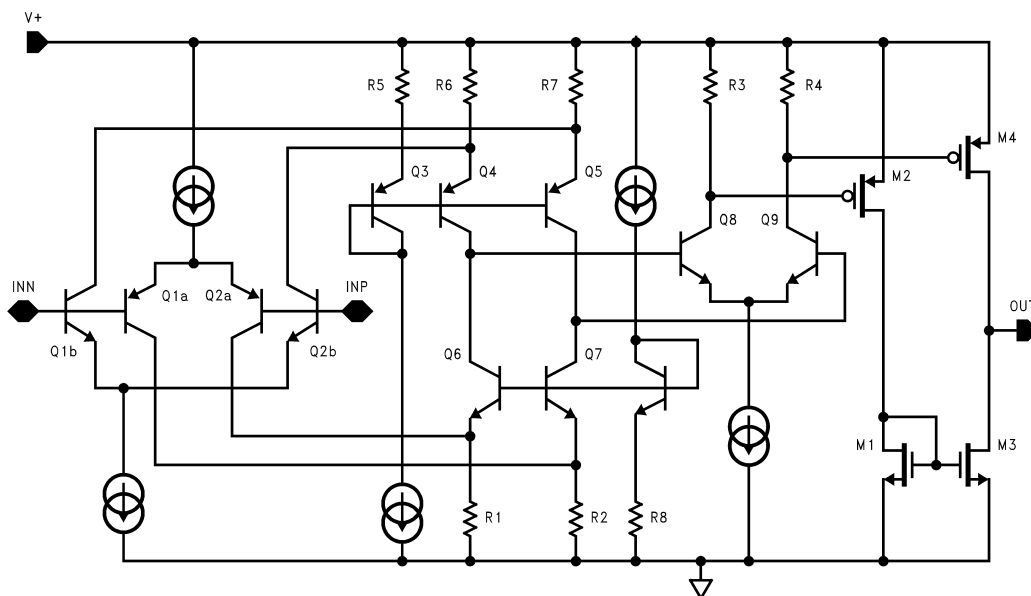
8 Detailed Description

8.1 Overview

The LMV7235, LMV7239 and LMV7239-Q1 are ultra low power, low voltage, 75-ns comparators. They are guaranteed to operate over the full supply voltage range of 2.7 V to 5.5 V. These devices achieve a 75-ns propagation delay while consuming only 65 μ A of supply current at 5 V.

The LMV7235, LMV7239 and LMV7239-Q1 have a greater than rail-to-rail common mode voltage range. The input common mode voltage range extends 200 mV below ground and 200 mV above supply, allowing both ground and supply sensing.

8.2 Functional Block Diagram



Simplified Schematic of LMV7239

8.3 Feature Description

8.3.1 Input Stage

The LMV7235, LMV7239 and LMV7239-Q1 are rail-to-rail input and output. The typical input common mode voltage range of -0.2 V below the ground to 0.2 V above the supply. The LMV7235, LMV7239 and LMV7239-Q1 use a complimentary PNP and NPN input stage in which the PNP stage senses common mode voltage near V_{-} and the NPN stage senses common mode voltage near V^{+} . If either of the input signals falls below the negative common mode limit, the parasitic PN junction formed by the substrate and the base of the PNP will turn on resulting in an increase of input bias current.

If one of the inputs goes above the positive common mode limit, the output will still maintain the correct logic level as long as the other input stays within the common mode range. However, the propagation delay will increase. When both inputs are outside the common mode voltage range, current saturation occurs in the input stage, and the output becomes unpredictable.

The propagation delay does not increase significantly with large differential input voltages. However, large differential voltages greater than the supply voltage should be avoided to prevent damage to the input stage.

8.3.2 Output Stage, LMV7239 and LMV7239-Q1

The LMV7239 has a push-pull output. When the output switches, there is a low resistance path between V_{CC} and ground, causing high output sinking or sourcing current during the transition.

Feature Description (continued)

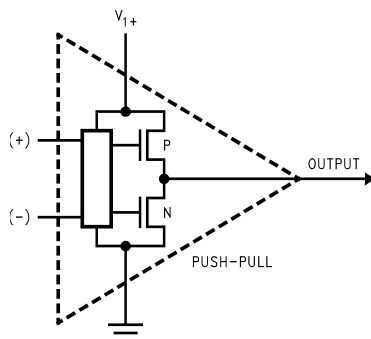


Figure 16. LMV7239 Push-Pull Output Stage

8.3.3 Output Stage, LMV7235

The LMV7235 has an open drain that requires a pull-up resistor to a positive supply voltage for the output to switch properly. The internal circuitry is identical to the LMV7239 except that the upper P channel output device M4 is absent in the [Functional Block Diagram](#) above. When the internal output transistor is off, the output voltage will be pulled up to the external positive voltage by the external pull-up resistor. This allows the output to be OR'ed with other open drain outputs on the same bus. The output pull-up resistor can be connected to any voltage level between V- and V+ for level shifting applications.

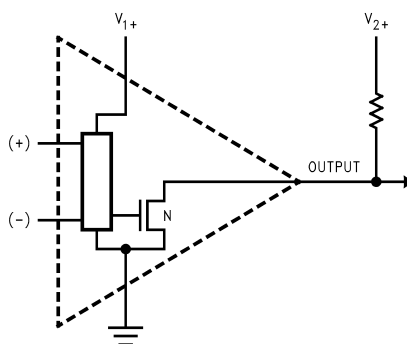


Figure 17. LMV7235 Open Drain Output

8.4 Device Functional Modes

8.4.1 Capacitive and Resistive Loads

The propagation delay is not affected by capacitive loads at the output of the LPV7239 or LMV7239-Q1. However, resistive loads slightly effect the propagation delay on the falling edge depending on the load resistance value.

The propagation delay on the rising edge of the LMV7235 depends on the load resistance and capacitance values.

8.4.2 Noise

Most comparators have rather low gain. This allows the output to spend time between high and low when the input signal changes slowly. The result is the output may oscillate between high and low when the differential input is near zero. The high gain of this comparator eliminates this problem. Less than 1 μV of change on the input will drive the output from one rail to the other rail. If the input signal is noisy, the output cannot ignore the noise unless some hysteresis is provided by positive feedback. (See [Hysteresis](#).)

Device Functional Modes (continued)

8.4.3 Hysteresis

In order to improve propagation delay when low overdrive is needed hysteresis can be added.

8.4.3.1 Inverting Comparator with Hysteresis

The inverting comparator with hysteresis requires a three resistor network that is referenced to the supply voltage V^+ of the comparator as shown in Figure 18. When V_{IN} at the inverting input is less than V_{A1} , the voltage at the non-inverting node of the comparator ($V_{IN} < V_{A1}$), the output voltage is high (for simplicity assume V_O switches as high as V^+). The three network resistors can be represented as $R_1 // R_3$ in series with R_2 .

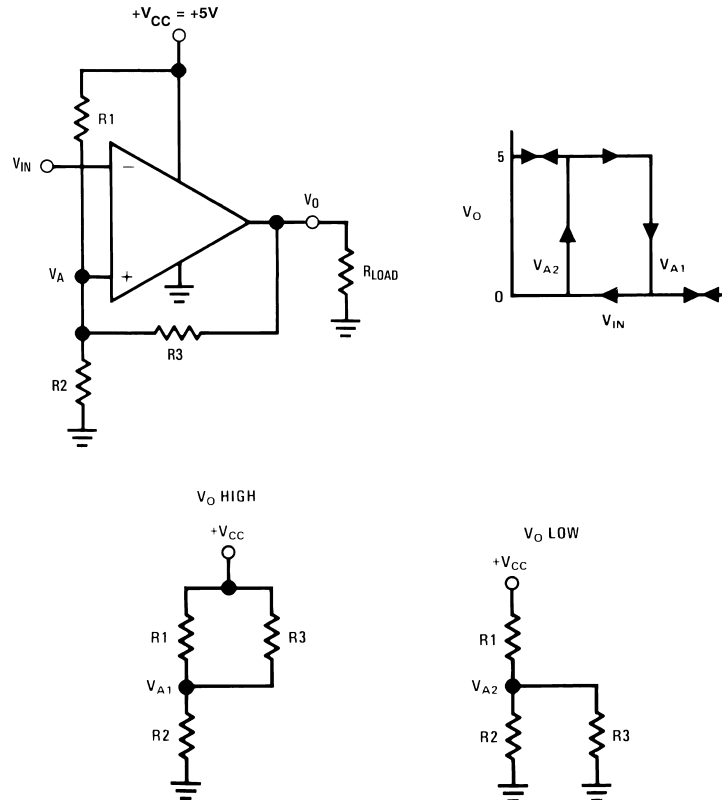


Figure 18. Inverting Comparator with Hysteresis

The lower input trip voltage V_{A1} is defined as:

$$V_{A1} = V_{CC} R_2 / [(R_1 // R_3) + R_2]. \quad (1)$$

When V_{IN} is greater than V_{A1} , the output voltage is low or very close to ground. In this case the three network resistors can be presented as $R_2 // R_3$ in series with R_1 .

The upper trip voltage V_{A2} is defined as:

$$V_{A2} = V_{CC} (R_2 // R_3) / [(R_1) + (R_2 // R_3)] \quad (2)$$

The total hysteresis provided by the network is defined as $\Delta V_A = V_{A1} - V_{A2}$.

$$\Delta V_A = \frac{+V_{CC} R_1 R_2}{R_1 R_2 + R_1 R_3 + R_2 R_3} \quad (3)$$

8.4.3.2 Non-Inverting Comparator with Hysteresis

A non-inverting comparator with hysteresis requires a two resistor network, and a voltage reference (V_{REF}) at the inverting input. When V_{IN} is low, the output is also low. For the output to switch from low to high, V_{IN} must rise up to V_{IN1} where V_{IN1} is calculated by:

Device Functional Modes (continued)

$$\Delta V_{IN1} = \frac{V_{REF}(R_1 + R_2)}{R_2} \quad (4)$$

As soon as V_O switches to V_{CC} , V_A steps to a value greater than V_{REF} which is given by:

$$V_A = V_{IN} + \frac{(V_{CC} - V_{IN1})R_1}{R_1 + R_2} \quad (5)$$

To make the comparator switch back to its low state, V_{IN} must equal V_{REF} before V_A will again equal V_{REF} . V_{IN2} can be calculated by:

$$V_{IN2} = \frac{V_{REF}(R_1 + R_2) - V_{CC} R_1}{R_2} \quad (6)$$

The hysteresis of this circuit is the difference between V_{IN1} and V_{IN2} .

$$\Delta V_{IN} = V_{CC} R_1 / R_2 \quad (7)$$

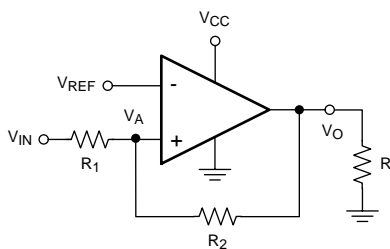


Figure 19. Non-Inverting Comparator with Hysteresis

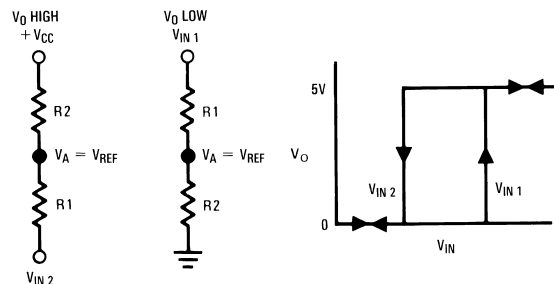


Figure 20. Non-Inverting Comparator Thresholds

8.4.4 Zero Crossing Detector

In a zero crossing detector circuit, the inverting input is connected to ground and the non-inverting input is connected to a 100 mV_{PP} AC signal. As the signal at the non-inverting input crosses 0V, the comparator's output changes state.

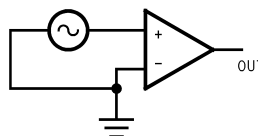


Figure 21. Simple Zero Crossing Detector

8.4.4.1 Zero Crossing Detector with Hysteresis

To improve switching times and centering the input threshold to ground a small amount of positive feedback is added to the circuit. Voltage divider R_4 and R_5 establishes a reference voltage, V_1 , at the positive input. By making the series resistance, R_1 plus R_2 equal to R_5 , the switching condition, $V_1 = V_2$, will be satisfied when $V_{IN} = 0$.

Device Functional Modes (continued)

The positive feedback resistor, R_6 , is made very large with respect to $R_5 \parallel R_6 = 2000 R_5$). The resultant hysteresis established by this network is very small ($\Delta V_1 < 10 \text{ mV}$) but it is sufficient to insure rapid output voltage transitions.

Diode D_1 is used to insure that the inverting input terminal of the comparator never goes below approximately -100 mV . As the input terminal goes negative, D_1 will forward bias, clamping the node between R_1 and R_2 to approximately -700 mV . This sets up a voltage divider with R_2 and R_3 preventing V_2 from going below ground. The maximum negative input overdrive is limited by the current handling ability of D_1 .

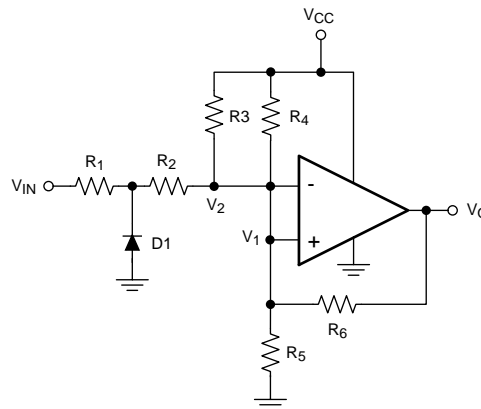


Figure 22. Zero Crossing Detector with Hysteresis

8.4.5 Threshold Detector

Instead of tying the inverting input to 0V , the inverting input can be tied to a reference voltage. As the input on the non-inverting input passes the V_{REF} threshold, the comparator's output changes state. It is important to use a stable reference voltage to ensure a consistent switching point.

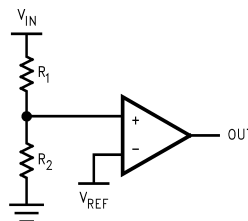


Figure 23. Threshold Detector

9 Application and Implementation

NOTE

Information in the following applications sections is not part of the TI component specification, and TI does not warrant its accuracy or completeness. TI's customers are responsible for determining suitability of components for their purposes. Customers should validate and test their design implementation to confirm system functionality.

9.1 Application Information

The LMV7235, LMV7239 and LMV7239-Q1 are single supply comparators with 75 ns of propagation delay and only 65 μ A of supply current.

9.2 Typical Applications

9.2.1 Square Wave Oscillator

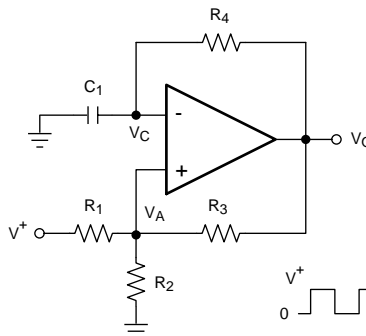


Figure 24. Square Wave Oscillator

9.2.1.1 Design Requirements

A typical application for a comparator is as a square wave oscillator. The circuit in [Figure 24](#) generates a square wave whose period is set by the RC time constant of the capacitor C_1 and resistor R_4 .

9.2.1.2 Detailed Design Procedure

The maximum frequency is limited by the large signal propagation delay of the comparator and by the capacitive loading at the output, which limits the output slew rate.

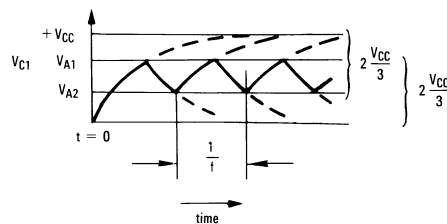


Figure 25. Square Wave Oscillator Timing Thresholds

Consider the output of [Figure 24](#) to be high to analyze the circuit. That implies that the inverted input (V_C) is lower than the non-inverting input (V_A). This causes the C_1 to be charged through R_4 , and the voltage V_C increases until it is equal to the non-inverting input. The value of V_A at this point is:

$$V_{A1} = \frac{V_{CC} \cdot R_2}{R_2 + R_1 \parallel R_3} \quad (8)$$

If $R_1 = R_2 = R_3$, then $V_{A1} = 2 V_{CC}/3$

Typical Applications (continued)

At this point the comparator switches pulling down the output to the negative rail. The value of V_A at this point is:

$$V_{A2} = \frac{V_{CC}(R_2 \parallel R_3)}{R_1 + (R_2 \parallel R_3)} \quad (9)$$

If $R_1 = R_2 = R_3$, then $V_{A2} = V_{CC}/3$.

The capacitor C_1 now discharges through R_4 , and the voltage V_C decreases until it is equal to V_{A2} , at which point the comparator switches again, bringing it back to the initial stage. The time period is equal to twice the time it takes to discharge C_1 from $2V_{CC}/3$ to $V_{CC}/3$, which is given by $R_4 C_1 \ln 2$. Hence the formula for the frequency is:

$$F = 1/(2 \cdot R_4 \cdot C_1 \cdot \ln 2) \quad (10)$$

The LMV7239 should be used for a symmetrical output. The LMV7235 will require a pull-up resistor on the output to function, and will have a slightly asymmetrical output due to the reduced sourcing current.

9.2.1.3 Application Curves

Figure [Figure 26](#) shows the simulated results of an oscillator using the following values:

1. $R_1 = R_2 = R_3 = R_4 = 100\text{k}\Omega$
2. $C_1 = 100\text{pF}$, $C_L = 20\text{pF}$
3. $V_+ = 5\text{V}$, $V_- = \text{GND}$
4. C_{STRAY} (not shown) from V_a to $\text{GND} = 10\text{pF}$

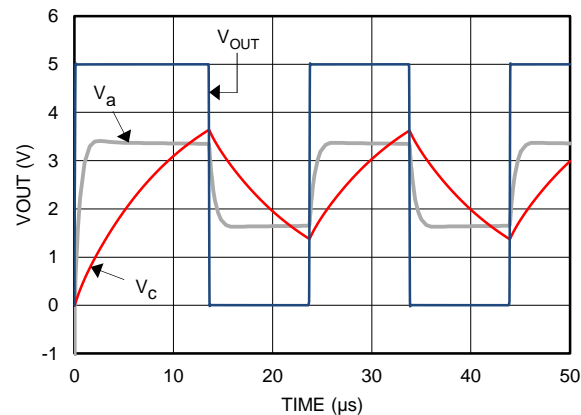


Figure 26. Square Wave Oscillator Output Waveform

9.2.2 Crystal Oscillator

A simple crystal oscillator using the LMV7235, LMV7239 and LMV7239-Q1 is shown in [Figure 27](#). Resistors R_1 and R_2 set the bias point at the comparator's non-inverting input. Resistors, R_3 and R_4 and capacitor C_1 set the inverting input node at an appropriate DC average level based on the output. The crystal's path provides resonant positive feedback and stable oscillation occurs. The output duty cycle for this circuit is roughly 50%, but it is affected by resistor tolerances and to a lesser extent by the comparator

Typical Applications (continued)

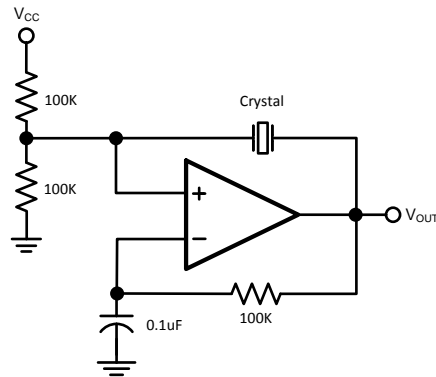


Figure 27. Crystal Oscillator

9.2.3 Infrared (IR) Receiver

The LMV7235, LMV7239 and LMV7239-Q1 can also be used as an infrared receiver. The infrared photo diode creates a current relative to the amount of infrared light present. The current creates a voltage across R_D . When this voltage level crosses the voltage applied by the voltage divider to the inverting input, the output transitions.

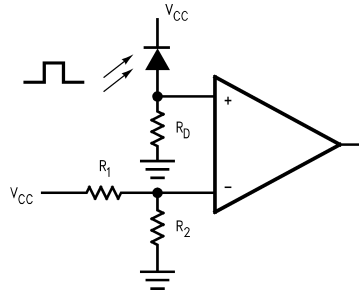


Figure 28. IR Receiver

9.2.4 Window Detector

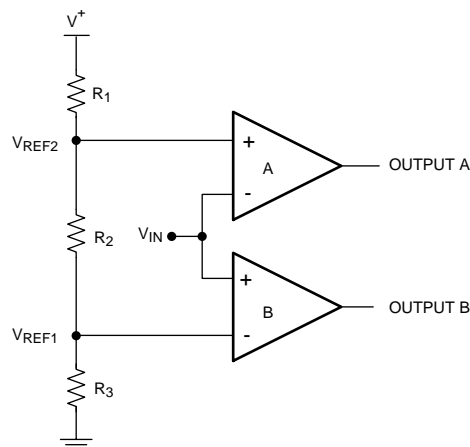


Figure 29. Window Detector

A window detector monitors the input signal to determine if it falls between two voltage levels. Both outputs are true (high) when $V_{REF1} < V_{IN} < V_{REF2}$

Typical Applications (continued)

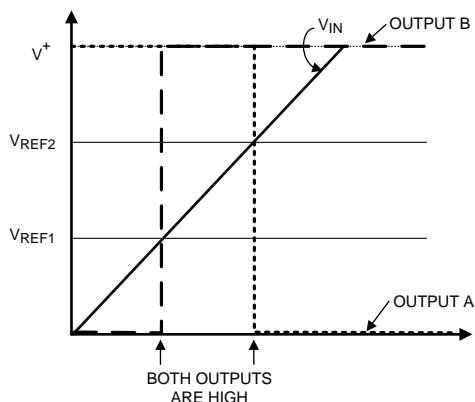


Figure 30. Window Detector Output Signal

The comparator outputs A and B are high only when $V_{REF1} < V_{IN} < V_{REF2}$, or "within the window", where these are defined as:

$$V_{REF1} = R_3 / (R_1 + R_2 + R_3) * V_+ \quad (11)$$

$$V_{REF2} = (R_2 + R_3) / (R_1 + R_2 + R_3) * V_+ \quad (12)$$

To determine if the input signal falls outside of the two voltage levels, both inputs on each comparators can be reversed to invert the logic.

The LMV7235 with an open drain output should be used if the outputs are to be tied together for a common logic output.

Other names for window detectors are: threshold detector, level detector, and amplitude trigger or detector.

10 Power Supply Recommendations

To minimize supply noise, power supplies should be decoupled by a 0.01 μ F ceramic capacitor in parallel with a 10 μ F capacitor.

Due to the nanosecond edges on the output transition, peak supply currents will be drawn during the time the output is transitioning. Peak current depends on the capacitive loading on the output. The output transition can cause transients on poorly bypassed power supplies. These transients can cause a poorly bypassed power supply to "ring" due to trace inductance and low self-resonance frequency of high ESR bypass capacitors.

Treat the LMV7235, LMV7239 and LMV7239-Q1 as a high-speed device. Keep the ground paths short and place small (low ESR ceramic) bypass capacitors directly between the V+ and V- pins.

Output capacitive loading and output toggle rate will cause the average supply current to rise over the quiescent current.

11 Layout

11.1 Layout Guidelines

Proper grounding and the use of a ground plane will help to ensure the specified performance of the LMV7235, LMV7239 and LMV7239-Q1. Minimizing trace lengths, reducing unwanted parasitic capacitance and using surface-mount components will also help. Comparators are very sensitive to input noise.

The LMV7235, LMV7239 and LMV7239-Q1 require high speed layout. Follow these layout guidelines:

1. Use printed circuit board with a good, unbroken low-inductance ground plane.
2. Place a decoupling capacitor (0.1 μ F ceramic surface mount capacitor) as close as possible to V_{CC} pin.
3. On the inputs and the output, keep lead lengths as short as possible to avoid unwanted parasitic feedback around the comparator. Keep inputs away from output.
4. Solder the device directly to the printed circuit board rather than using a socket.
5. For slow moving input signals, take care to prevent parasitic feedback. A small capacitor (1000 pF or less) placed between the inputs can help eliminate oscillations in the transition region. This capacitor causes some degradation to t_{PD} when the source impedance is low.
6. The topside ground plane runs between the output and inputs.
7. Ground trace from the ground pin runs under the device up to the bypass capacitor, shielding the inputs from the outputs.

11.2 Layout Example

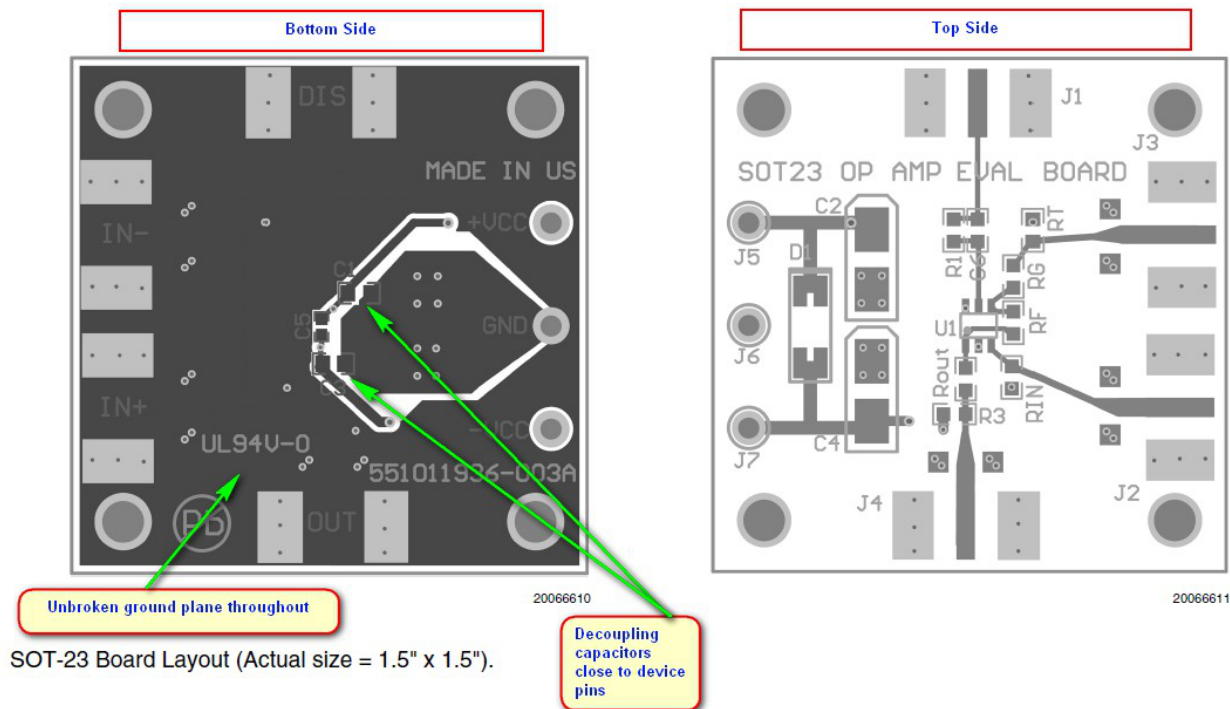


Figure 31. SOT-23 Board Layout Example

12 Device and Documentation Support

12.1 Device Support

12.1.1 Development Support

LMV7239 TINA SPICE Model, [SNOM392](#)

TINA-TI SPICE-Based Analog Simulation Program, <http://www.ti.com/tool/tina-ti>

DIP Adapter Evaluation Module, <http://www.ti.com/tool/dip-adapter-evm>

TI Universal Operational Amplifier Evaluation Module, <http://www.ti.com/tool/opampevm>

12.2 Documentation Support

12.2.1 Related Documentation

AN-74 - A Quad of Independently Functioning Comparators, [SNOA654](#)

12.3 Related Links

The table below lists quick access links. Categories include technical documents, support and community resources, tools and software, and quick access to sample or buy.

Table 1. Related Links

PARTS	PRODUCT FOLDER	SAMPLE & BUY	TECHNICAL DOCUMENTS	TOOLS & SOFTWARE	SUPPORT & COMMUNITY
LMV7235	Click here	Click here	Click here	Click here	Click here
LMV7239	Click here	Click here	Click here	Click here	Click here
LMV7239-Q1	Click here	Click here	Click here	Click here	Click here

12.4 Trademarks

All trademarks are the property of their respective owners.

12.5 Electrostatic Discharge Caution



These devices have limited built-in ESD protection. The leads should be shorted together or the device placed in conductive foam during storage or handling to prevent electrostatic damage to the MOS gates.

12.6 Glossary

[SLYZ022](#) — *TI Glossary*.

This glossary lists and explains terms, acronyms, and definitions.

13 Mechanical, Packaging, and Orderable Information

The following pages include mechanical, packaging, and orderable information. This information is the most current data available for the designated devices. This data is subject to change without notice and revision of this document. For browser-based versions of this data sheet, refer to the left-hand navigation.

PACKAGING INFORMATION

Orderable Device	Status (1)	Package Type	Package Drawing	Pins	Package Qty	Eco Plan (2)	Lead/Ball Finish (6)	MSL Peak Temp (3)	Op Temp (°C)	Device Marking (4/5)	Samples
LMV7235M5	NRND	SOT-23	DBV	5	1000	TBD	Call TI	Call TI	-40 to 85	C21A	
LMV7235M5/NOPB	ACTIVE	SOT-23	DBV	5	1000	Green (RoHS & no Sb/Br)	CU SN	Level-1-260C-UNLIM	-40 to 85	C21A	Samples
LMV7235M5X	NRND	SOT-23	DBV	5	3000	TBD	Call TI	Call TI	-40 to 85	C21A	
LMV7235M5X/NOPB	ACTIVE	SOT-23	DBV	5	3000	Green (RoHS & no Sb/Br)	CU SN	Level-1-260C-UNLIM	-40 to 85	C21A	Samples
LMV7235M7	NRND	SC70	DCK	5	1000	TBD	Call TI	Call TI	-40 to 85	C21	
LMV7235M7/NOPB	ACTIVE	SC70	DCK	5	1000	Green (RoHS & no Sb/Br)	CU SN	Level-1-260C-UNLIM	-40 to 85	C21	Samples
LMV7235M7X/NOPB	ACTIVE	SC70	DCK	5	3000	Green (RoHS & no Sb/Br)	CU SN	Level-1-260C-UNLIM	-40 to 85	C21	Samples
LMV7239 MWC	ACTIVE	WAFERSALE	YS	0	1	Green (RoHS & no Sb/Br)	Call TI	Level-1-NA-UNLIM	-40 to 85		Samples
LMV7239M5	NRND	SOT-23	DBV	5	1000	TBD	Call TI	Call TI	-40 to 85	C20A	
LMV7239M5/NOPB	ACTIVE	SOT-23	DBV	5	1000	Green (RoHS & no Sb/Br)	CU SN	Level-1-260C-UNLIM	-40 to 85	C20A	Samples
LMV7239M5X	NRND	SOT-23	DBV	5	3000	TBD	Call TI	Call TI	-40 to 85	C20A	
LMV7239M5X/NOPB	ACTIVE	SOT-23	DBV	5	3000	Green (RoHS & no Sb/Br)	CU SN	Level-1-260C-UNLIM	-40 to 85	C20A	Samples
LMV7239M7	NRND	SC70	DCK	5	1000	TBD	Call TI	Call TI	-40 to 85	C20	
LMV7239M7/NOPB	ACTIVE	SC70	DCK	5	1000	Green (RoHS & no Sb/Br)	CU SN	Level-1-260C-UNLIM	-40 to 85	C20	Samples
LMV7239M7X	NRND	SC70	DCK	5	3000	TBD	Call TI	Call TI	-40 to 85	C20	
LMV7239M7X/NOPB	ACTIVE	SC70	DCK	5	3000	Green (RoHS & no Sb/Br)	CU SN	Level-1-260C-UNLIM	-40 to 85	C20	Samples
LMV7239QDBVRQ1	ACTIVE	SOT-23	DBV	5	3000	Green (RoHS & no Sb/Br)	CU SN	Level-1-260C-UNLIM	-40 to 125	ZBMX	Samples
LMV7239QM7/NOPB	ACTIVE	SC70	DCK	5	1000	Green (RoHS & no Sb/Br)	CU SN	Level-1-260C-UNLIM	-40 to 125	C42	Samples
LMV7239QM7X/NOPB	ACTIVE	SC70	DCK	5	3000	Green (RoHS & no Sb/Br)	CU SN	Level-1-260C-UNLIM	-40 to 125	C42	Samples

(1) The marketing status values are defined as follows:
ACTIVE: Product device recommended for new designs.

LIFEBUY: TI has announced that the device will be discontinued, and a lifetime-buy period is in effect.

NRND: Not recommended for new designs. Device is in production to support existing customers, but TI does not recommend using this part in a new design.

PREVIEW: Device has been announced but is not in production. Samples may or may not be available.

OBSELETE: TI has discontinued the production of the device.

⁽²⁾ Eco Plan - The planned eco-friendly classification: Pb-Free (RoHS), Pb-Free (RoHS Exempt), or Green (RoHS & no Sb/Br) - please check <http://www.ti.com/productcontent> for the latest availability information and additional product content details.

TBD: The Pb-Free/Green conversion plan has not been defined.

Pb-Free (RoHS): TI's terms "Lead-Free" or "Pb-Free" mean semiconductor products that are compatible with the current RoHS requirements for all 6 substances, including the requirement that lead not exceed 0.1% by weight in homogeneous materials. Where designed to be soldered at high temperatures, TI Pb-Free products are suitable for use in specified lead-free processes.

Pb-Free (RoHS Exempt): This component has a RoHS exemption for either 1) lead-based flip-chip solder bumps used between the die and package, or 2) lead-based die adhesive used between the die and leadframe. The component is otherwise considered Pb-Free (RoHS compatible) as defined above.

Green (RoHS & no Sb/Br): TI defines "Green" to mean Pb-Free (RoHS compatible), and free of Bromine (Br) and Antimony (Sb) based flame retardants (Br or Sb do not exceed 0.1% by weight in homogeneous material)

⁽³⁾ MSL, Peak Temp. - The Moisture Sensitivity Level rating according to the JEDEC industry standard classifications, and peak solder temperature.

⁽⁴⁾ There may be additional marking, which relates to the logo, the lot trace code information, or the environmental category on the device.

⁽⁵⁾ Multiple Device Markings will be inside parentheses. Only one Device Marking contained in parentheses and separated by a "~" will appear on a device. If a line is indented then it is a continuation of the previous line and the two combined represent the entire Device Marking for that device.

⁽⁶⁾ Lead/Ball Finish - Orderable Devices may have multiple material finish options. Finish options are separated by a vertical ruled line. Lead/Ball Finish values may wrap to two lines if the finish value exceeds the maximum column width.

Important Information and Disclaimer:The information provided on this page represents TI's knowledge and belief as of the date that it is provided. TI bases its knowledge and belief on information provided by third parties, and makes no representation or warranty as to the accuracy of such information. Efforts are underway to better integrate information from third parties. TI has taken and continues to take reasonable steps to provide representative and accurate information but may not have conducted destructive testing or chemical analysis on incoming materials and chemicals. TI and TI suppliers consider certain information to be proprietary, and thus CAS numbers and other limited information may not be available for release.

In no event shall TI's liability arising out of such information exceed the total purchase price of the TI part(s) at issue in this document sold by TI to Customer on an annual basis.

OTHER QUALIFIED VERSIONS OF LMV7239, LMV7239-Q1 :

● Catalog: [LMV7239](#)

● Automotive: [LMV7239-Q1](#)

NOTE: Qualified Version Definitions:

- Catalog - TI's standard catalog product
- Automotive - Q100 devices qualified for high-reliability automotive applications targeting zero defects

TAPE AND REEL INFORMATION

QUADRANT ASSIGNMENTS FOR PIN 1 ORIENTATION IN TAPE


*All dimensions are nominal

Device	Package Type	Package Drawing	Pins	SPQ	Reel Diameter (mm)	Reel Width W1 (mm)	A0 (mm)	B0 (mm)	K0 (mm)	P1 (mm)	W (mm)	Pin1 Quadrant
LMV7235M7	SC70	DCK	5	1000	178.0	8.4	2.25	2.45	1.2	4.0	8.0	Q3
LMV7235M7/NOPB	SC70	DCK	5	1000	178.0	8.4	2.25	2.45	1.2	4.0	8.0	Q3
LMV7235M7X/NOPB	SC70	DCK	5	3000	178.0	8.4	2.25	2.45	1.2	4.0	8.0	Q3
LMV7239M7	SC70	DCK	5	1000	178.0	8.4	2.25	2.45	1.2	4.0	8.0	Q3
LMV7239M7/NOPB	SC70	DCK	5	1000	178.0	8.4	2.25	2.45	1.2	4.0	8.0	Q3
LMV7239M7X	SC70	DCK	5	3000	178.0	8.4	2.25	2.45	1.2	4.0	8.0	Q3
LMV7239M7X/NOPB	SC70	DCK	5	3000	178.0	8.4	2.25	2.45	1.2	4.0	8.0	Q3
LMV7239QM7/NOPB	SC70	DCK	5	1000	178.0	8.4	2.25	2.45	1.2	4.0	8.0	Q3
LMV7239QM7X/NOPB	SC70	DCK	5	3000	178.0	8.4	2.25	2.45	1.2	4.0	8.0	Q3

TAPE AND REEL BOX DIMENSIONS


*All dimensions are nominal

Device	Package Type	Package Drawing	Pins	SPQ	Length (mm)	Width (mm)	Height (mm)
LMV7235M7	SC70	DCK	5	1000	210.0	185.0	35.0
LMV7235M7/NOPB	SC70	DCK	5	1000	210.0	185.0	35.0
LMV7235M7X/NOPB	SC70	DCK	5	3000	210.0	185.0	35.0
LMV7239M7	SC70	DCK	5	1000	210.0	185.0	35.0
LMV7239M7/NOPB	SC70	DCK	5	1000	210.0	185.0	35.0
LMV7239M7X	SC70	DCK	5	3000	210.0	185.0	35.0
LMV7239M7X/NOPB	SC70	DCK	5	3000	210.0	185.0	35.0
LMV7239QM7/NOPB	SC70	DCK	5	1000	210.0	185.0	35.0
LMV7239QM7X/NOPB	SC70	DCK	5	3000	210.0	185.0	35.0

DBV (R-PDSO-G5)

PLASTIC SMALL-OUTLINE PACKAGE



- NOTES:
- A. All linear dimensions are in millimeters.
 - B. This drawing is subject to change without notice.
 - C. Body dimensions do not include mold flash or protrusion. Mold flash and protrusion shall not exceed 0.15 per side.
 - D. Falls within JEDEC MO-178 Variation AA.

DBV (R-PDSO-G5)

PLASTIC SMALL OUTLINE



- NOTES:
- A. All linear dimensions are in millimeters.
 - B. This drawing is subject to change without notice.
 - C. Customers should place a note on the circuit board fabrication drawing not to alter the center solder mask defined pad.
 - D. Publication IPC-7351 is recommended for alternate designs.
 - E. Laser cutting apertures with trapezoidal walls and also rounding corners will offer better paste release. Customers should contact their board assembly site for stencil design recommendations. Example stencil design based on a 50% volumetric metal load solder paste. Refer to IPC-7525 for other stencil recommendations.

DCK (R-PDSO-G5)

PLASTIC SMALL-OUTLINE PACKAGE



- NOTES:
- A. All linear dimensions are in millimeters.
 - B. This drawing is subject to change without notice.
 - C. Body dimensions do not include mold flash or protrusion. Mold flash and protrusion shall not exceed 0.15 per side.
 - D. Falls within JEDEC MO-203 variation AA.

DCK (R-PDSO-G5)

PLASTIC SMALL OUTLINE



- NOTES:
- All linear dimensions are in millimeters.
 - This drawing is subject to change without notice.
 - Customers should place a note on the circuit board fabrication drawing not to alter the center solder mask defined pad.
 - Publication IPC-7351 is recommended for alternate designs.
 - Laser cutting apertures with trapezoidal walls and also rounding corners will offer better paste release. Customers should contact their board assembly site for stencil design recommendations. Example stencil design based on a 50% volumetric metal load solder paste. Refer to IPC-7525 for other stencil recommendations.

IMPORTANT NOTICE

Texas Instruments Incorporated and its subsidiaries (TI) reserve the right to make corrections, enhancements, improvements and other changes to its semiconductor products and services per JESD46, latest issue, and to discontinue any product or service per JESD48, latest issue. Buyers should obtain the latest relevant information before placing orders and should verify that such information is current and complete. All semiconductor products (also referred to herein as "components") are sold subject to TI's terms and conditions of sale supplied at the time of order acknowledgment.

TI warrants performance of its components to the specifications applicable at the time of sale, in accordance with the warranty in TI's terms and conditions of sale of semiconductor products. Testing and other quality control techniques are used to the extent TI deems necessary to support this warranty. Except where mandated by applicable law, testing of all parameters of each component is not necessarily performed.

TI assumes no liability for applications assistance or the design of Buyers' products. Buyers are responsible for their products and applications using TI components. To minimize the risks associated with Buyers' products and applications, Buyers should provide adequate design and operating safeguards.

TI does not warrant or represent that any license, either express or implied, is granted under any patent right, copyright, mask work right, or other intellectual property right relating to any combination, machine, or process in which TI components or services are used. Information published by TI regarding third-party products or services does not constitute a license to use such products or services or a warranty or endorsement thereof. Use of such information may require a license from a third party under the patents or other intellectual property of the third party, or a license from TI under the patents or other intellectual property of TI.

Reproduction of significant portions of TI information in TI data books or data sheets is permissible only if reproduction is without alteration and is accompanied by all associated warranties, conditions, limitations, and notices. TI is not responsible or liable for such altered documentation. Information of third parties may be subject to additional restrictions.

Resale of TI components or services with statements different from or beyond the parameters stated by TI for that component or service voids all express and any implied warranties for the associated TI component or service and is an unfair and deceptive business practice. TI is not responsible or liable for any such statements.

Buyer acknowledges and agrees that it is solely responsible for compliance with all legal, regulatory and safety-related requirements concerning its products, and any use of TI components in its applications, notwithstanding any applications-related information or support that may be provided by TI. Buyer represents and agrees that it has all the necessary expertise to create and implement safeguards which anticipate dangerous consequences of failures, monitor failures and their consequences, lessen the likelihood of failures that might cause harm and take appropriate remedial actions. Buyer will fully indemnify TI and its representatives against any damages arising out of the use of any TI components in safety-critical applications.

In some cases, TI components may be promoted specifically to facilitate safety-related applications. With such components, TI's goal is to help enable customers to design and create their own end-product solutions that meet applicable functional safety standards and requirements. Nonetheless, such components are subject to these terms.

No TI components are authorized for use in FDA Class III (or similar life-critical medical equipment) unless authorized officers of the parties have executed a special agreement specifically governing such use.

Only those TI components which TI has specifically designated as military grade or "enhanced plastic" are designed and intended for use in military/aerospace applications or environments. Buyer acknowledges and agrees that any military or aerospace use of TI components which have **not** been so designated is solely at the Buyer's risk, and that Buyer is solely responsible for compliance with all legal and regulatory requirements in connection with such use.

TI has specifically designated certain components as meeting ISO/TS16949 requirements, mainly for automotive use. In any case of use of non-designated products, TI will not be responsible for any failure to meet ISO/TS16949.

Products

Audio	www.ti.com/audio
Amplifiers	amplifier.ti.com
Data Converters	dataconverter.ti.com
DLP® Products	www.dlp.com
DSP	dsp.ti.com
Clocks and Timers	www.ti.com/clocks
Interface	interface.ti.com
Logic	logic.ti.com
Power Mgmt	power.ti.com
Microcontrollers	microcontroller.ti.com
RFID	www.ti-rfid.com
OMAP Applications Processors	www.ti.com/omap
Wireless Connectivity	www.ti.com/wirelessconnectivity

Applications

Automotive and Transportation	www.ti.com/automotive
Communications and Telecom	www.ti.com/communications
Computers and Peripherals	www.ti.com/computers
Consumer Electronics	www.ti.com/consumer-apps
Energy and Lighting	www.ti.com/energy
Industrial	www.ti.com/industrial
Medical	www.ti.com/medical
Security	www.ti.com/security
Space, Avionics and Defense	www.ti.com/space-avionics-defense
Video and Imaging	www.ti.com/video

TI E2E Community

e2e.ti.com