

MEMORY STICK™ INTERCONNECT EXTENDER CHIPSET WITH LVDS SN65LVDT14—ONE DRIVER PLUS FOUR RECEIVERS SN65LVDT41—FOUR DRIVERS PLUS ONE RECEIVER

FEATURES

- Integrated 110-Ω Nominal Receiver Line Termination Resistor
- Operates From a Single 3.3-V Supply
- Greater Than 125 Mbps Data Rate
- Flow-Through Pin-Out
- LVTTTL Compatible Logic I/Os
- ESD Protection On Bus Pins Exceeds 16 kV
- Meets or Exceeds the Requirements of ANSI/TIA/EIA-644A Standard for LVDS
- 20-Pin PW Thin Shrink Small-Outline Package With 26-Mil Terminal Pitch

APPLICATIONS

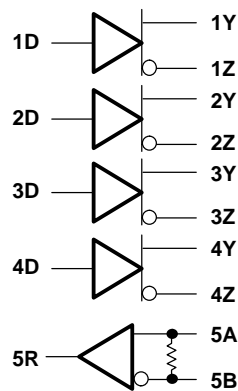
- Memory Stick Interface Extensions With Long Interconnects Between Host and Memory Stick™
- Serial Peripheral Interface™ (SPI) Interface Extension to Allow Long Interconnects Between Master and Slave
- MultiMediaCard™ Interface in SPI Mode
- General-Purpose Asymmetric Bidirectional Communication

DESCRIPTION

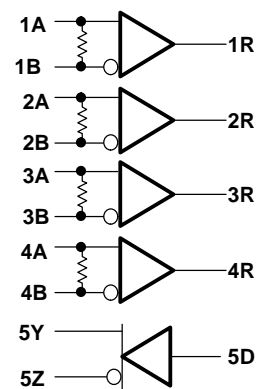
The SN65LVDT14 combines one LVDS line driver with four terminated LVDS line receivers in one package. It is designed to be used at the Memory Stick end of an LVDS based Memory Stick interface extension.

The SN65LVDT41 combines four LVDS line drivers with a single terminated LVDS line receiver in one package. It is designed to be used at the host end of an LVDS based Memory Stick interface extension.

SN65LVDT41 LOGIC DIAGRAM (POSITIVE LOGIC)



SN65LVDT14 LOGIC DIAGRAM (POSITIVE LOGIC)



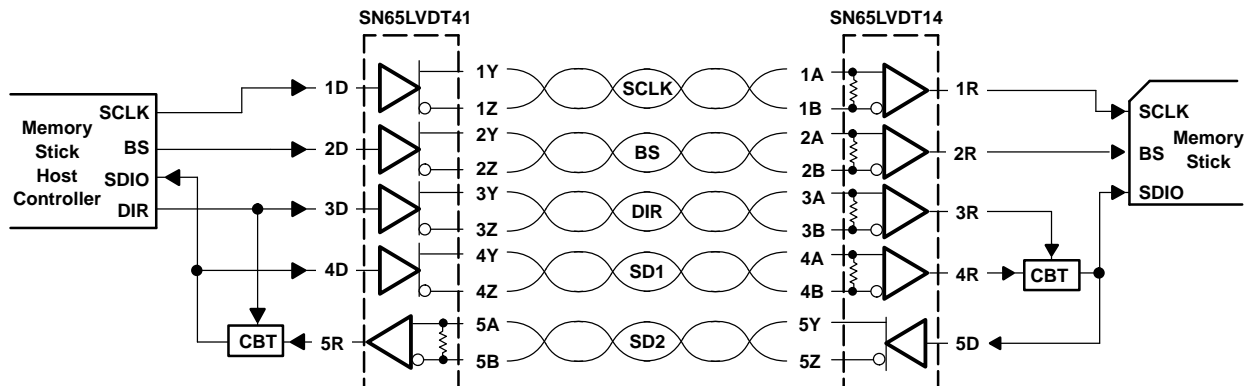
Please be aware that an important notice concerning availability, standard warranty, and use in critical applications of Texas Instruments semiconductor products and disclaimers thereto appears at the end of this data sheet.

Serial Peripheral Interface is a trademark of Motorola.
MultiMediaCard is a trademark of MultiMediaCard Association.
Memory Stick is a trademark of Sony.



These devices have limited built-in ESD protection. The leads should be shorted together or the device placed in conductive foam during storage or handling to prevent electrostatic damage to the MOS gates.

TYPICAL MEMORY STICK INTERFACE EXTENSION



ABSOLUTE MAXIMUM RATINGS

over operating free-air temperature range unless otherwise noted⁽¹⁾

| | | SN65LVDT14, SN65LVDT41 | UNIT |
|--|---|------------------------------|------|
| Supply voltage range ⁽²⁾ | V _{CC} | -0.5 to 4 | V |
| Input voltage range | D or R | -0.5 to 6 | V |
| | A, B, Y, or Z | -0.5 to 4 | V |
| Electrostatic discharge | Human body model ⁽³⁾ , A, B, Y, Z, and GND | ±16 | KV |
| | Human body model ⁽³⁾ , all pins | ±8 | KV |
| | Charged device model ⁽⁴⁾ , all pins | ±500 | V |
| Continuous total power dissipation | | See Dissipation Rating Table | |
| Storage temperature range | | -65 to 150 | °C |
| Lead temperature 1,6 mm (1/16 inch) from case for 10 seconds | | 260 | °C |

- (1) Stresses beyond those listed under absolute maximum ratings may cause permanent damage to the device. These are stress ratings only, and functional operation of the device at these or any other conditions beyond those indicated under recommended operating conditions is not implied. Exposure to absolute-maximum-rated conditions for extended periods may affect device reliability.
- (2) All voltage values, except differential I/O bus voltages are with respect to network ground terminal.
- (3) Tested in accordance with JEDEC Standard 22, Test Method A114-A.
- (4) Tested in accordance with JEDEC Standard 22, Test Method C101.

PACKAGE DISSIPATION RATINGS

| PACKAGE | T _A < 25°C POWER RATING | OPERATING FACTOR ABOVE T _A = 25°C | T _A = 85°C POWER RATING |
|---------|---------------------------------------|---|---------------------------------------|
| PW | 774 mW | 6.2 mW/°C | 402 mW |

RECOMMENDED OPERATING CONDITIONS

| | | MIN | NOM | MAX | UNIT |
|------------|---|----------------------|-----|----------------------------|------|
| V_{CC} | Supply voltage | 3 | 3.3 | 3.6 | V |
| V_{IH} | High-level input voltage | 2 | | | V |
| V_{IL} | Low-level input voltage | | | 0.8 | V |
| $ V_{ID} $ | Magnitude of differential input voltage | 0.1 | | 0.6 | V |
| V_{IC} | Common-mode input voltage, See Figure 1 | $\frac{ V_{ID} }{2}$ | | $2.4 - \frac{ V_{ID} }{2}$ | V |
| | | | | $V_{CC} - 0.8$ | V |
| T_A | Operating free-air temperature | -40 | | 85 | °C |

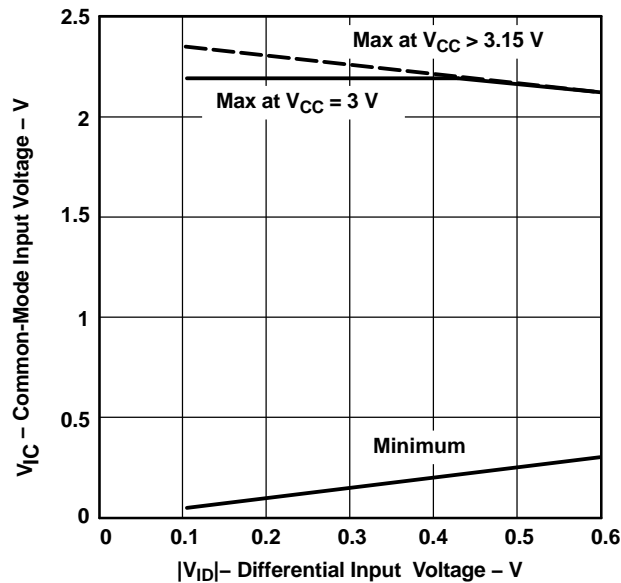


Figure 1. V_{IC} vs V_{ID} and V_{CC}

RECEIVER ELECTRICAL CHARACTERISTICS

over operating free-air temperature range unless otherwise noted

| PARAMETER | TEST CONDITIONS | MIN | TYP ⁽¹⁾ | MAX | UNIT |
|--------------|---|---|--------------------|----------|----------|
| V_{ITH+} | Positive-going differential input voltage threshold | | | 100 | mV |
| V_{ITH-} | Negative-going differential input voltage threshold | | | -100 | |
| V_{OH} | High-level output voltage | $I_{OH} = -8$ mA | 2.4 | | V |
| V_{OL} | Low-level output voltage | $I_{OL} = 8$ mA | | 0.4 | V |
| I_I | Input current (A or B inputs) | $V_I = 0$ V and $V_I = 2.4$ V, other input open | | ± 40 | μ A |
| $I_{I(OFF)}$ | Power-off input current (A or B inputs) | $V_{CC} = 0$ V, $V_I = 2.4$ V | | ± 40 | μ A |
| C_i | Input capacitance, A or B input to GND | $V_I = A \sin 2\pi f t + CV$ | 5 | | pF |
| Z_t | Termination impedance | $V_{ID} = 0.4 \sin 2.5E09 t$ V | 88 | 132 | Ω |

(1) All typical values are at 25°C and with a 3.3-V supply.

DRIVER ELECTRICAL CHARACTERISTICS

over operating free-air temperature range unless otherwise noted

| PARAMETER | | TEST CONDITIONS | MIN | TYP ⁽¹⁾ | MAX | UNIT |
|---------------------|--|--|-------|--------------------|----------|---------|
| $ V_{OD} $ | Differential output voltage magnitude | $R_L = 100 \Omega$, See Figure 3 and Figure 5 | 247 | 340 | 454 | mV |
| $\Delta V_{OD} $ | Change in differential output voltage magnitude between logic states | | -50 | | 50 | |
| $V_{OC(SS)}$ | Steady-state common-mode output voltage | See Figure 6 | 1.125 | | 1.375 | V |
| $\Delta V_{OC(SS)}$ | Change in steady-state common-mode output voltage between logic states | | -50 | | 50 | mV |
| $V_{OC(PP)}$ | Peak-to-peak common-mode output voltage | | | 50 | 150 | mV |
| I_{IH} | High-level input current | $V_{IH} = 2 V$ | | | 20 | μA |
| I_{IL} | Low-level input current | $V_{IL} = 0.8 V$ | | | 10 | μA |
| I_{OS} | Short-circuit output current | V_{OY} or $V_{OZ} = 0 V$ | | | ± 24 | mA |
| | | $V_{OD} = 0 V$ | | | ± 12 | |
| $I_{O(OFF)}$ | Power-off output current | $V_{CC} = 1.5 V, V_O = 2.4 V$ | | | ± 1 | μA |

(1) All typical values are at 25°C and with a 3.3-V supply.

DEVICE ELECTRICAL CHARACTERISTICS

over operating free-air temperature range unless otherwise noted

| PARAMETER | | TEST CONDITIONS | MIN | TYP ⁽¹⁾ | MAX | UNIT | |
|-----------|----------------|-----------------|---|--------------------|-----|------|----|
| I_{CC} | Supply current | SN65LVDT14 | Driver $R_L = 100 \Omega$, Driver $V_I = 0.8 V$ or $2 V$, Receiver $V_I = \pm 0.4 V$ | | | 25 | mA |
| | | SN65LVDT41 | | | | 35 | |

(1) All typical values are at 25°C and with a 3.3-V supply.

RECEIVER SWITCHING CHARACTERISTICS

over operating free-air temperature range unless otherwise noted

| PARAMETER | | TEST CONDITIONS | MIN | NOM | MAX | UNIT |
|--------------|--|--|------|-----|-----|------|
| t_{PLH} | Propagation delay time, low-to-high-level output | $C_L = 10 pF$, See Figure 4 | 1 | 2.6 | 3.8 | ns |
| t_{PHL} | Propagation delay time, high-to-low-level output | | 1 | 2.6 | 3.8 | ns |
| t_r | Output signal rise time | | 0.15 | | 1.2 | ns |
| t_f | Output signal fall time | | 0.15 | | 1.2 | ns |
| $t_{sk(p)}$ | Pulse skew ($ t_{PHL} - t_{PLH} $) | | | 150 | 600 | ps |
| $t_{sk(o)}$ | Output skew ⁽¹⁾ | | | 100 | 400 | ps |
| $t_{sk(pp)}$ | Part-to-part skew ⁽²⁾ | | | | 1 | ns |

(1) $t_{sk(o)}$ is the magnitude of the time difference between the t_{pLH} or t_{pHL} of all the receivers of a single device with all of their inputs connected together.

(2) $t_{sk(pp)}$ is the magnitude of the difference in propagation delay times between any specified terminals of two devices when both devices operate with the same supply voltages, at the same temperature, and have identical packages and test circuits.

DRIVER SWITCHING CHARACTERISTICS

over operating free-air temperature range unless otherwise noted

| PARAMETER | | TEST CONDITIONS | MIN | NOM | MAX | UNIT |
|--------------|--|--|------|-----|-----|------|
| t_{PLH} | Propagation delay time, low-to-high-level output | $R_L = 100 \Omega$, $C_L = 10 \text{ pF}$, See Figure 7 | 0.9 | 1.7 | 2.9 | ns |
| t_{PHL} | Propagation delay time, high-to-low-level output | | 0.9 | 1.6 | 2.9 | |
| t_r | Differential output signal rise time | | 0.26 | | 1 | |
| t_f | Differential output signal fall time | | 0.26 | | 1 | |
| $t_{sk(p)}$ | Pulse skew ($ t_{PHL} - t_{PLH} $) | $R_L = 100 \Omega$, $C_L = 10 \text{ pF}$, See Figure 7 | | 150 | 500 | ps |
| $t_{sk(o)}$ | Output skew ⁽¹⁾ | | | 80 | 150 | ps |
| $t_{sk(pp)}$ | Part-to-part skew ⁽²⁾ | | | | 1.5 | ns |

- (1) $t_{sk(p)}$ is the magnitude of the time difference between the high-to-low and low-to-high propagation delay times at an output.
(2) $t_{sk(pp)}$ is the magnitude of the difference in propagation delay times between any specified terminals of two devices when both devices operate with the same supply voltages, at the same temperature, and have identical packages and test circuits.

PARAMETER MEASUREMENT INFORMATION

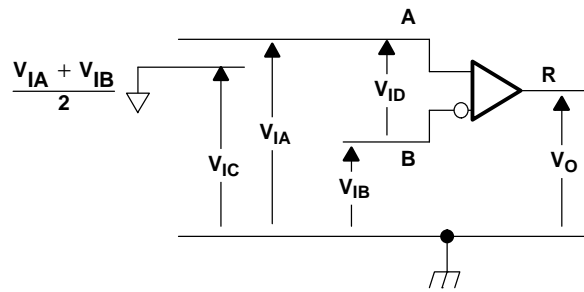


Figure 2. Receiver Voltage Definitions

Table 1. Receiver Minimum and Maximum Input Threshold Test Voltages

| APPLIED VOLTAGES | | RESULTING DIFFERENTIAL INPUT VOLTAGE | RESULTING COMMON-MODE INPUT VOLTAGE |
|------------------|----------|--------------------------------------|-------------------------------------|
| V_{IA} | V_{IB} | V_{ID} | V_{IC} |
| 1.25 V | 1.15 V | 100 mV | 1.2 V |
| 1.15 V | 1.25 V | -100 mV | 1.2 V |
| 2.4 V | 2.3 V | 100 mV | 2.35 V |
| 2.3 V | 2.4 V | -100 mV | 2.35 V |
| 0.1 V | 0.0 V | 100 mV | 0.05 V |
| 0.0 V | 0.1 V | -100 mV | 0.05 V |
| 1.5 V | 0.9 V | 600 mV | 1.2 V |
| 0.9 V | 1.5 V | -600 mV | 1.2 V |
| 2.4 V | 1.8 V | 600 mV | 2.1 V |
| 1.8 V | 2.4 V | -600 mV | 2.1 V |
| 0.6 V | 0.0 V | 600 mV | 0.3 V |
| 0.0 V | 0.6 V | -600 mV | 0.3 V |

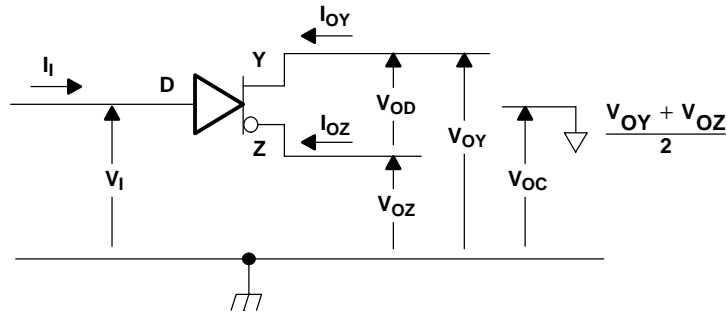
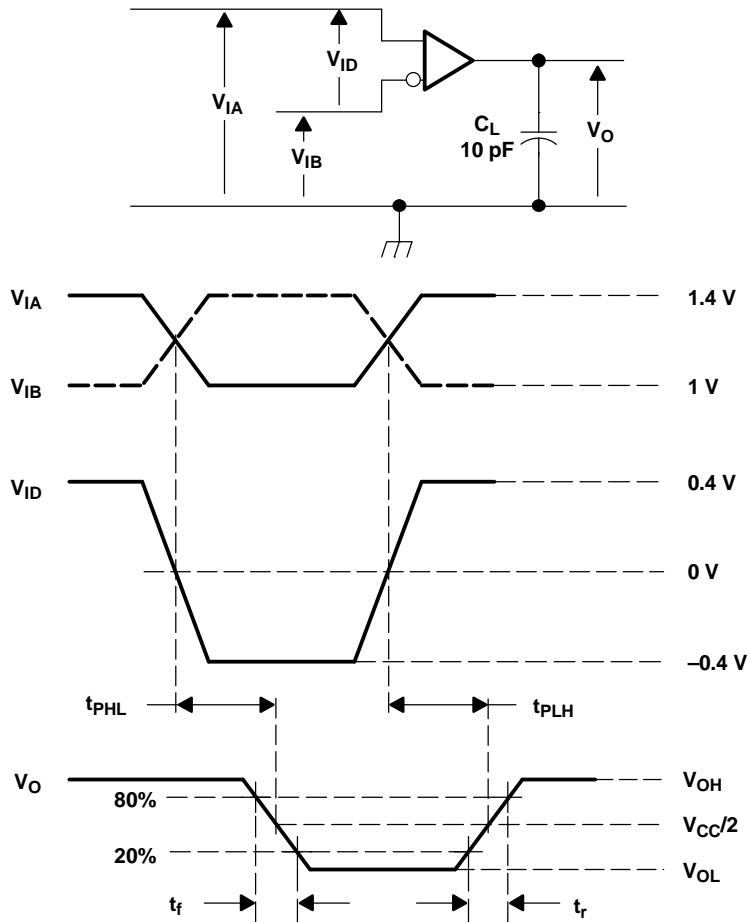


Figure 3. Driver Voltage and Current Definitions



- A. All input pulses are supplied by a generator having the following characteristics: t_f or $t_r \leq 1$ ns, pulse repetition rate (PRR) = 1 Mpps, pulse width = $0.5 \pm 0.05 \mu\text{s}$. C_L includes instrumentation and fixture capacitance within 0,06 m of the D.U.T.

Figure 4. Receiver Timing Test Circuit and Waveforms

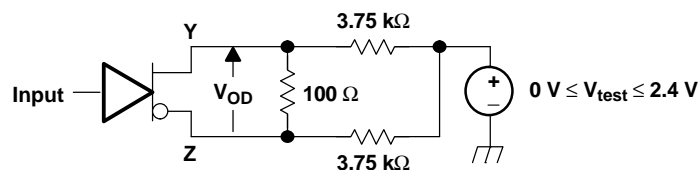
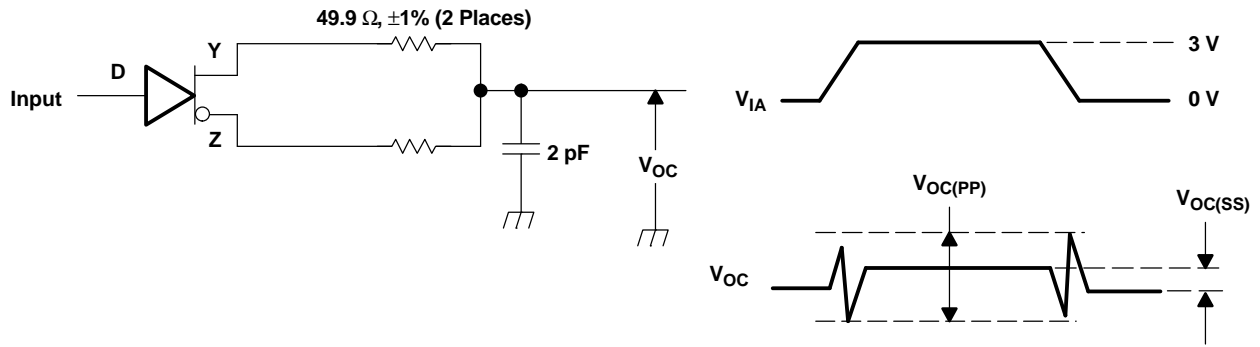
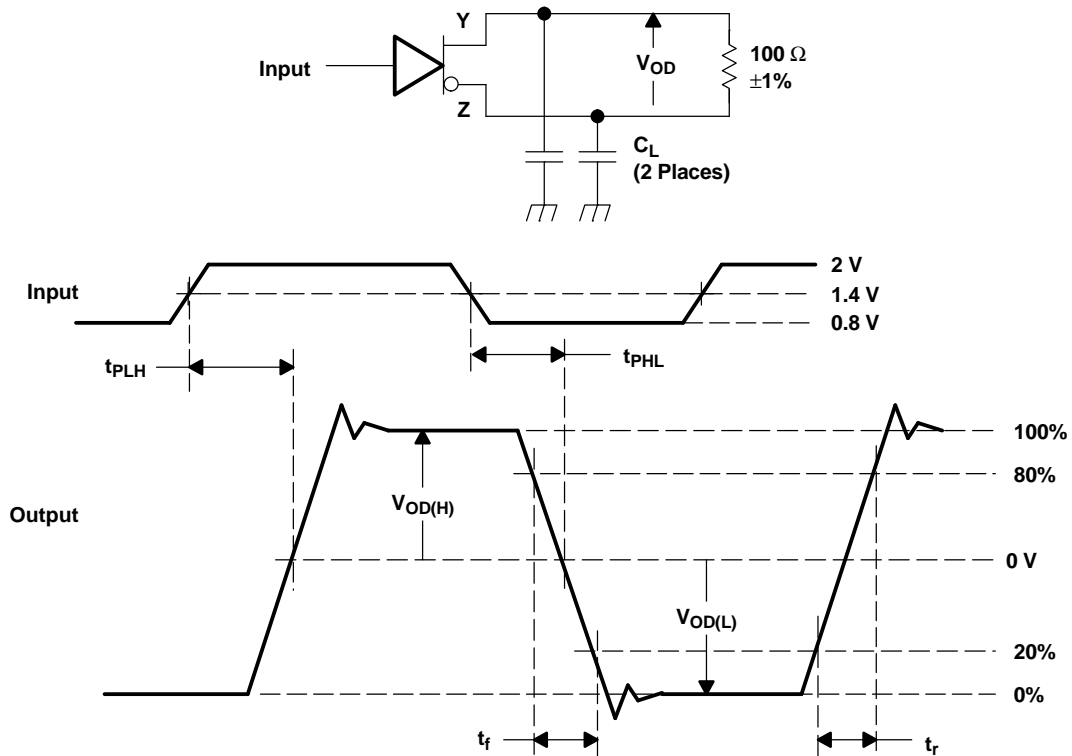


Figure 5. Driver VDO Test Circuit



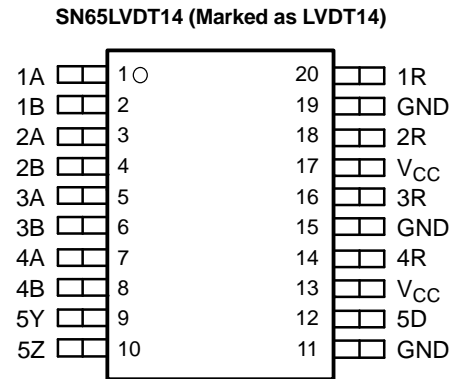
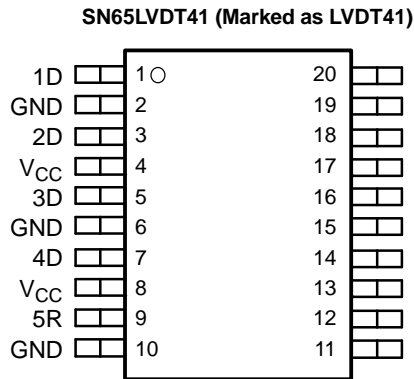
- A. All input pulses are supplied by a generator having the following characteristics: t_r or $t_f \leq 1$ ns, pulse repetition rate (PRR) = 0.5 Mpps, pulse width = 500 ± 10 ns. C_L includes instrumentation and fixture capacitance within 0,06 mm of the D.U.T. The measurement of $V_{OC(PP)}$ is made on test equipment with a -3 dB bandwidth of at least 1 GHz.

Figure 6. Test Circuit and Definitions for the Driver Common-Mode Output Voltage



- A. All input pulses are supplied by a generator having the following characteristics: t_r or $t_f \leq 1$ ns, pulse repetition rate (PRR) = 1 Mpps, pulse width = 0.5 ± 0.05 μ s. C_L includes instrumentation and fixture capacitance within 0,06 mm of the D.U.T.

Figure 7. Test Circuit, Timing, and Voltage Definitions for the Differential Output Signal



Function Tables

RECEIVER

| INPUTS | OUTPUT |
|---|--------|
| $V_{ID} = V_A - V_B$ | R |
| $V_{ID} \geq 100 \text{ mV}$ | H |
| $-100 \text{ mV} < V_{ID} < 100 \text{ mV}$ | ? |
| $V_{ID} \leq -100 \text{ mV}$ | L |
| Open | H |

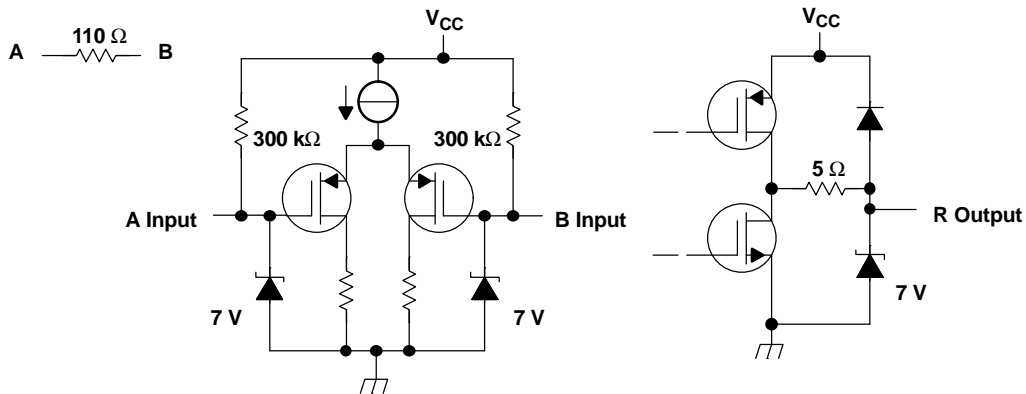
H = high level, L = low level, ? = indeterminate

DRIVER

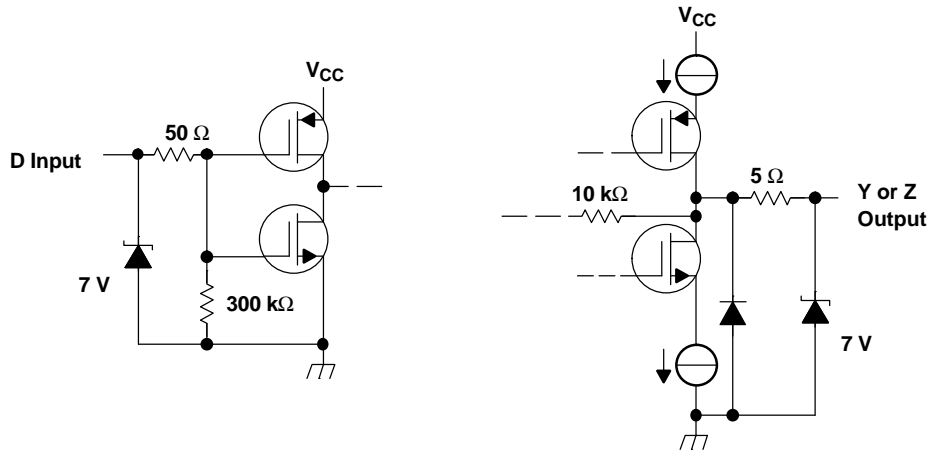
| INPUT | OUTPUTS | |
|-------|---------|---|
| D | Y | Z |
| H | H | L |
| L | L | H |
| Open | L | H |

H = high level, L = low level

RECEIVER EQUIVALENT INPUT AND OUTPUT SCHEMATIC DIAGRAMS



DRIVER EQUIVALENT INPUT AND OUTPUT SCHEMATIC DIAGRAMS



TYPICAL CHARACTERISTICS

RECEIVER

HIGH-LEVEL OUTPUT VOLTAGE
vs
HIGH-LEVEL OUTPUT CURRENT

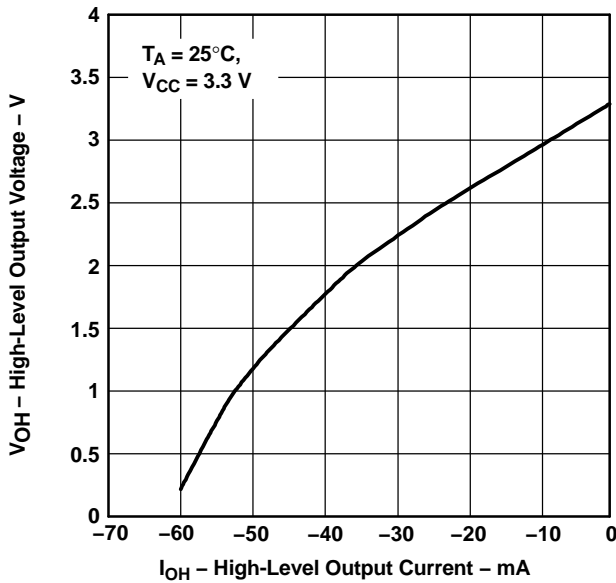


Figure 8.

LOW-LEVEL OUTPUT VOLTAGE
vs
LOW-LEVEL OUTPUT CURRENT

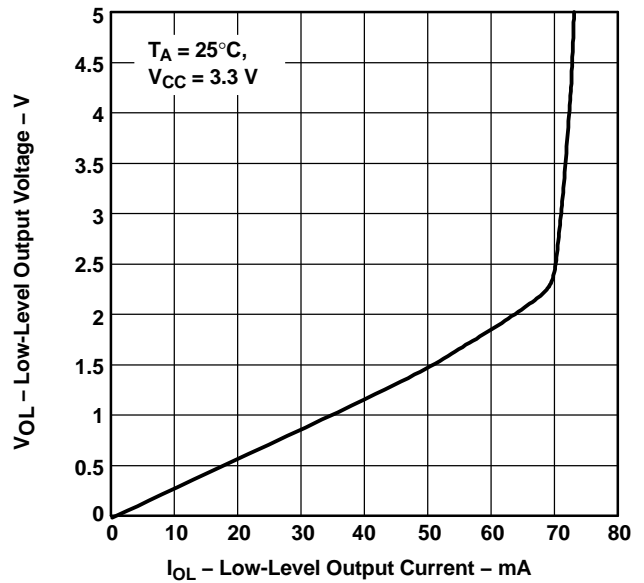


Figure 9.

RECEIVER (continued)

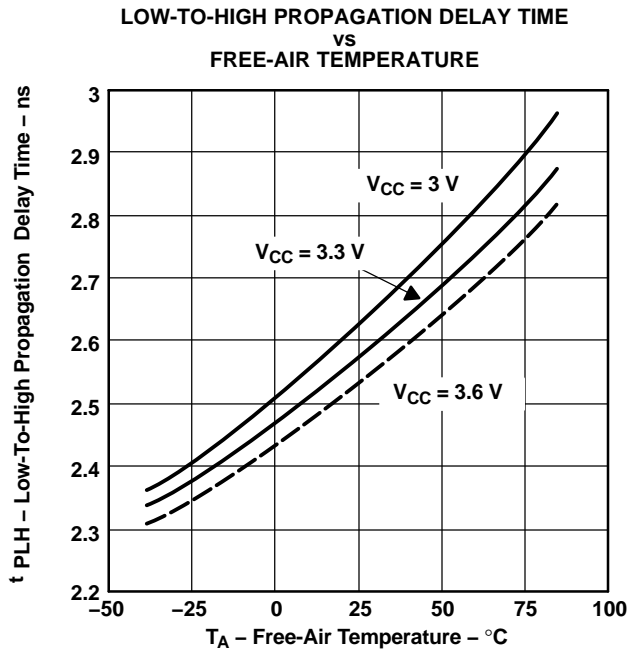


Figure 10.

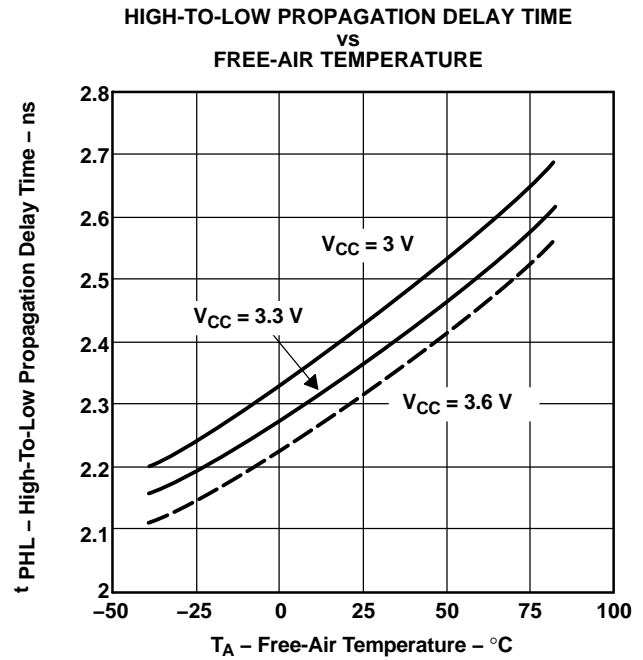


Figure 11.

DRIVER

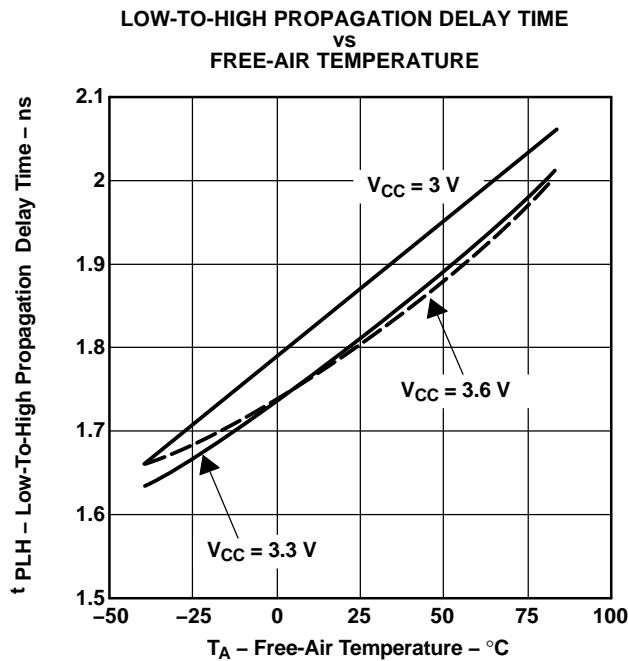


Figure 12.

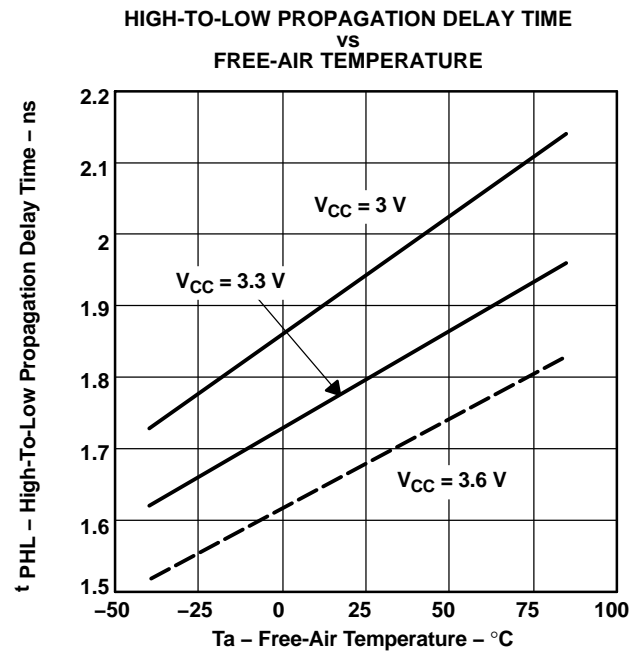


Figure 13.

APPLICATION INFORMATION

EXTENDING THE MEMORY STICK INTERFACE USING LVDS SIGNALING OVER DIFFERENTIAL TRANSMISSION CABLES

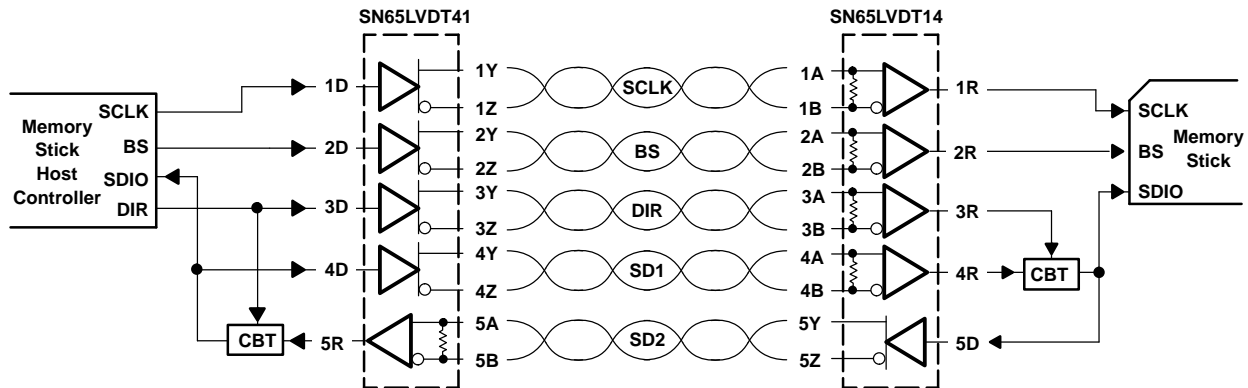


Figure 14. System Level Block Diagram

The Memory Stick signaling interface operates in a master-slave architecture, with three active signal lines. The host (master) supplies a clock (SCLK) and bus-state (BS) signal to control the operation of the system. The SCLK and BS signals are unidirectional (simplex) from the host to the Memory Stick. The serial data input-output (SDIO) signal is a bidirectional (half-duplex) signal used to communicate both control and data information between the host and the Memory Stick. The direction of data control is managed by the host through a combination of BS line states and control information delivered to the Memory Stick.

The basic Memory Stick interface is capable of operating only over short distances due to the single-ended nature of the digital I/O signals. Such a configuration is entirely suitable for compact and portable devices where there is little if any separation between the host and the Memory Stick. In applications where a greater distance is needed between the host controller and the Memory Stick, it is necessary to utilize a different signaling method such as low voltage differential signaling, or LVDS.

LVDS, as specified by the TIA/EIA-644-A standard, provides several benefits when compared to alternative long-distance signaling technologies: low radiated emissions, high noise immunity, low power consumption, inexpensive interconnect cables.

This device pair provides the necessary LVDS drivers and receivers specifically targeted at implementing a Memory Stick interconnect extension. It utilizes simplex links for the SCLK and BS signals, and two simplex links for the SDIO data. The half-duplex SDIO data is split into two simplex streams under control of the host processor by means of the direction (DIR) signal. The DIR signal is also carried from the host to the Memory Stick on a simplex LVDS link.

The switching of the SDIO signal flow direction in the single-ended interfaces is managed by electronic switch devices, identified by the CBT symbol in Figure 14. A suggested CBT device for this application is the SN74CBTLV1G125 from Texas Instruments Incorporated. These devices are available in space saving SOT-23 or SC-70 packages.

PACKAGING INFORMATION

| Orderable Device | Status (1) | Package Type | Package Drawing | Pins | Package Qty | Eco Plan (2) | Lead/Ball Finish (6) | MSL Peak Temp (3) | Op Temp (°C) | Device Marking (4/5) | Samples |
|------------------|---------------|--------------|-----------------|------|-------------|-------------------------|-------------------------|----------------------|--------------|-------------------------|-------------------------|
| SN65LVDT14PW | ACTIVE | TSSOP | PW | 20 | 70 | Green (RoHS & no Sb/Br) | CU NIPDAU | Level-1-260C-UNLIM | -40 to 85 | LVDT14 | Samples |
| SN65LVDT14PWG4 | ACTIVE | TSSOP | PW | 20 | 70 | Green (RoHS & no Sb/Br) | CU NIPDAU | Level-1-260C-UNLIM | -40 to 85 | LVDT14 | Samples |
| SN65LVDT14PWR | ACTIVE | TSSOP | PW | 20 | 2000 | Green (RoHS & no Sb/Br) | CU NIPDAU | Level-1-260C-UNLIM | -40 to 85 | LVDT14 | Samples |
| SN65LVDT14PWRG4 | ACTIVE | TSSOP | PW | 20 | 2000 | Green (RoHS & no Sb/Br) | CU NIPDAU | Level-1-260C-UNLIM | -40 to 85 | LVDT14 | Samples |
| SN65LVDT41PW | ACTIVE | TSSOP | PW | 20 | 70 | Green (RoHS & no Sb/Br) | CU NIPDAU | Level-1-260C-UNLIM | -40 to 85 | LVDT41 | Samples |
| SN65LVDT41PWG4 | ACTIVE | TSSOP | PW | 20 | 70 | Green (RoHS & no Sb/Br) | CU NIPDAU | Level-1-260C-UNLIM | -40 to 85 | LVDT41 | Samples |
| SN65LVDT41PWR | ACTIVE | TSSOP | PW | 20 | 2000 | Green (RoHS & no Sb/Br) | CU NIPDAU | Level-1-260C-UNLIM | -40 to 85 | LVDT41 | Samples |

(1) The marketing status values are defined as follows:

ACTIVE: Product device recommended for new designs.

LIFEBUY: TI has announced that the device will be discontinued, and a lifetime-buy period is in effect.

NRND: Not recommended for new designs. Device is in production to support existing customers, but TI does not recommend using this part in a new design.

PREVIEW: Device has been announced but is not in production. Samples may or may not be available.

OBSOLETE: TI has discontinued the production of the device.

(2) Eco Plan - The planned eco-friendly classification: Pb-Free (RoHS), Pb-Free (RoHS Exempt), or Green (RoHS & no Sb/Br) - please check <http://www.ti.com/productcontent> for the latest availability information and additional product content details.

TBD: The Pb-Free/Green conversion plan has not been defined.

Pb-Free (RoHS): TI's terms "Lead-Free" or "Pb-Free" mean semiconductor products that are compatible with the current RoHS requirements for all 6 substances, including the requirement that lead not exceed 0.1% by weight in homogeneous materials. Where designed to be soldered at high temperatures, TI Pb-Free products are suitable for use in specified lead-free processes.

Pb-Free (RoHS Exempt): This component has a RoHS exemption for either 1) lead-based flip-chip solder bumps used between the die and package, or 2) lead-based die adhesive used between the die and leadframe. The component is otherwise considered Pb-Free (RoHS compatible) as defined above.

Green (RoHS & no Sb/Br): TI defines "Green" to mean Pb-Free (RoHS compatible), and free of Bromine (Br) and Antimony (Sb) based flame retardants (Br or Sb do not exceed 0.1% by weight in homogeneous material)

(3) MSL, Peak Temp. - The Moisture Sensitivity Level rating according to the JEDEC industry standard classifications, and peak solder temperature.

(4) There may be additional marking, which relates to the logo, the lot trace code information, or the environmental category on the device.

⁽⁵⁾ Multiple Device Markings will be inside parentheses. Only one Device Marking contained in parentheses and separated by a "-" will appear on a device. If a line is indented then it is a continuation of the previous line and the two combined represent the entire Device Marking for that device.

⁽⁶⁾ Lead/Ball Finish - Orderable Devices may have multiple material finish options. Finish options are separated by a vertical ruled line. Lead/Ball Finish values may wrap to two lines if the finish value exceeds the maximum column width.

Important Information and Disclaimer:The information provided on this page represents TI's knowledge and belief as of the date that it is provided. TI bases its knowledge and belief on information provided by third parties, and makes no representation or warranty as to the accuracy of such information. Efforts are underway to better integrate information from third parties. TI has taken and continues to take reasonable steps to provide representative and accurate information but may not have conducted destructive testing or chemical analysis on incoming materials and chemicals. TI and TI suppliers consider certain information to be proprietary, and thus CAS numbers and other limited information may not be available for release.

In no event shall TI's liability arising out of such information exceed the total purchase price of the TI part(s) at issue in this document sold by TI to Customer on an annual basis.

OTHER QUALIFIED VERSIONS OF SN65LVDT14, SN65LVDT41 :

- Enhanced Product: [SN65LVDT14-EP](#), [SN65LVDT41-EP](#)

NOTE: Qualified Version Definitions:

- Enhanced Product - Supports Defense, Aerospace and Medical Applications

TAPE AND REEL INFORMATION



QUADRANT ASSIGNMENTS FOR PIN 1 ORIENTATION IN TAPE



*All dimensions are nominal

| Device | Package Type | Package Drawing | Pins | SPQ | Reel Diameter (mm) | Reel Width W1 (mm) | A0 (mm) | B0 (mm) | K0 (mm) | P1 (mm) | W (mm) | Pin1 Quadrant |
|---------------|--------------|-----------------|------|------|--------------------|--------------------|---------|---------|---------|---------|--------|---------------|
| SN65LVDT14PWR | TSSOP | PW | 20 | 2000 | 330.0 | 16.4 | 6.95 | 7.1 | 1.6 | 8.0 | 16.0 | Q1 |
| SN65LVDT41PWR | TSSOP | PW | 20 | 2000 | 330.0 | 16.4 | 6.95 | 7.1 | 1.6 | 8.0 | 16.0 | Q1 |
| SN65LVDT41PWR | TSSOP | PW | 20 | 2000 | 330.0 | 16.4 | 6.95 | 7.1 | 1.6 | 8.0 | 16.0 | Q1 |

TAPE AND REEL BOX DIMENSIONS


*All dimensions are nominal

| Device | Package Type | Package Drawing | Pins | SPQ | Length (mm) | Width (mm) | Height (mm) |
|---------------|--------------|-----------------|------|------|-------------|------------|-------------|
| SN65LVDT14PWR | TSSOP | PW | 20 | 2000 | 367.0 | 367.0 | 38.0 |
| SN65LVDT41PWR | TSSOP | PW | 20 | 2000 | 367.0 | 367.0 | 38.0 |
| SN65LVDT41PWR | TSSOP | PW | 20 | 2000 | 367.0 | 367.0 | 38.0 |

PW (R-PDSO-G20)

PLASTIC SMALL OUTLINE



4040064-5/G 02/11

- NOTES:
- A. All linear dimensions are in millimeters. Dimensioning and tolerancing per ASME Y14.5M-1994.
 - B. This drawing is subject to change without notice.
 - C. Body length does not include mold flash, protrusions, or gate burrs. Mold flash, protrusions, or gate burrs shall not exceed 0,15 each side.
 - D. Body width does not include interlead flash. Interlead flash shall not exceed 0,25 each side.
 - E. Falls within JEDEC MO-153

PW (R-PDSO-G20)

PLASTIC SMALL OUTLINE



- NOTES:
- A. All linear dimensions are in millimeters.
 - B. This drawing is subject to change without notice.
 - C. Publication IPC-7351 is recommended for alternate design.
 - D. Laser cutting apertures with trapezoidal walls and also rounding corners will offer better paste release. Customers should contact their board assembly site for stencil design recommendations. Refer to IPC-7525 for other stencil recommendations.
 - E. Customers should contact their board fabrication site for solder mask tolerances between and around signal pads.

IMPORTANT NOTICE

Texas Instruments Incorporated and its subsidiaries (TI) reserve the right to make corrections, enhancements, improvements and other changes to its semiconductor products and services per JESD46, latest issue, and to discontinue any product or service per JESD48, latest issue. Buyers should obtain the latest relevant information before placing orders and should verify that such information is current and complete. All semiconductor products (also referred to herein as "components") are sold subject to TI's terms and conditions of sale supplied at the time of order acknowledgment.

TI warrants performance of its components to the specifications applicable at the time of sale, in accordance with the warranty in TI's terms and conditions of sale of semiconductor products. Testing and other quality control techniques are used to the extent TI deems necessary to support this warranty. Except where mandated by applicable law, testing of all parameters of each component is not necessarily performed.

TI assumes no liability for applications assistance or the design of Buyers' products. Buyers are responsible for their products and applications using TI components. To minimize the risks associated with Buyers' products and applications, Buyers should provide adequate design and operating safeguards.

TI does not warrant or represent that any license, either express or implied, is granted under any patent right, copyright, mask work right, or other intellectual property right relating to any combination, machine, or process in which TI components or services are used. Information published by TI regarding third-party products or services does not constitute a license to use such products or services or a warranty or endorsement thereof. Use of such information may require a license from a third party under the patents or other intellectual property of the third party, or a license from TI under the patents or other intellectual property of TI.

Reproduction of significant portions of TI information in TI data books or data sheets is permissible only if reproduction is without alteration and is accompanied by all associated warranties, conditions, limitations, and notices. TI is not responsible or liable for such altered documentation. Information of third parties may be subject to additional restrictions.

Resale of TI components or services with statements different from or beyond the parameters stated by TI for that component or service voids all express and any implied warranties for the associated TI component or service and is an unfair and deceptive business practice. TI is not responsible or liable for any such statements.

Buyer acknowledges and agrees that it is solely responsible for compliance with all legal, regulatory and safety-related requirements concerning its products, and any use of TI components in its applications, notwithstanding any applications-related information or support that may be provided by TI. Buyer represents and agrees that it has all the necessary expertise to create and implement safeguards which anticipate dangerous consequences of failures, monitor failures and their consequences, lessen the likelihood of failures that might cause harm and take appropriate remedial actions. Buyer will fully indemnify TI and its representatives against any damages arising out of the use of any TI components in safety-critical applications.

In some cases, TI components may be promoted specifically to facilitate safety-related applications. With such components, TI's goal is to help enable customers to design and create their own end-product solutions that meet applicable functional safety standards and requirements. Nonetheless, such components are subject to these terms.

No TI components are authorized for use in FDA Class III (or similar life-critical medical equipment) unless authorized officers of the parties have executed a special agreement specifically governing such use.

Only those TI components which TI has specifically designated as military grade or "enhanced plastic" are designed and intended for use in military/aerospace applications or environments. Buyer acknowledges and agrees that any military or aerospace use of TI components which have **not** been so designated is solely at the Buyer's risk, and that Buyer is solely responsible for compliance with all legal and regulatory requirements in connection with such use.

TI has specifically designated certain components as meeting ISO/TS16949 requirements, mainly for automotive use. In any case of use of non-designated products, TI will not be responsible for any failure to meet ISO/TS16949.

Products

| | |
|------------------------------|--|
| Audio | www.ti.com/audio |
| Amplifiers | amplifier.ti.com |
| Data Converters | dataconverter.ti.com |
| DLP® Products | www.dlp.com |
| DSP | dsp.ti.com |
| Clocks and Timers | www.ti.com/clocks |
| Interface | interface.ti.com |
| Logic | logic.ti.com |
| Power Mgmt | power.ti.com |
| Microcontrollers | microcontroller.ti.com |
| RFID | www.ti-rfid.com |
| OMAP Applications Processors | www.ti.com/omap |
| Wireless Connectivity | www.ti.com/wirelessconnectivity |

Applications

| | |
|-------------------------------|--|
| Automotive and Transportation | www.ti.com/automotive |
| Communications and Telecom | www.ti.com/communications |
| Computers and Peripherals | www.ti.com/computers |
| Consumer Electronics | www.ti.com/consumer-apps |
| Energy and Lighting | www.ti.com/energy |
| Industrial | www.ti.com/industrial |
| Medical | www.ti.com/medical |
| Security | www.ti.com/security |
| Space, Avionics and Defense | www.ti.com/space-avionics-defense |
| Video and Imaging | www.ti.com/video |

TI E2E Community

e2e.ti.com