

# SN75476 THRU SN75478 DUAL PERIPHERAL DRIVERS

SLRS025A – DECEMBER 1976 – REVISED NOVEMBER 1995

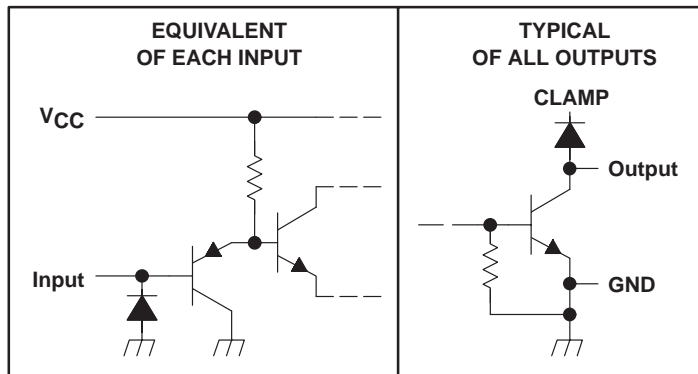
- Characterized for Use to 300 mA
- No Output Latch-Up at 55 V (After Conducting 300 mA)
- High-Voltage Outputs (100 V Typ)
- Output Clamp Diodes for Transient Suppression (300 mA, 70 V)
- TTL- or MOS-Compatible Diode-Clamped Inputs
- pnp Transistor Inputs Reduce Input Current
- Standard Supply Voltage
- Suitable for Hammer-Driver Applications
- Plastic DIP (P) With Copper-Lead Frame Provides Cooler Operation and Improved Reliability

## description

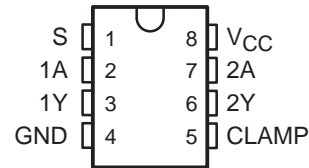
The SN75476 through SN75478 are dual peripheral drivers designed for use in systems that require high current, high voltage, and fast switching times. The SN75476, SN75477, and SN75478 provide AND, NAND, and OR drivers respectively. These devices have diode-clamped inputs as well as high-current, high-voltage clamp diodes on the outputs for inductive transient protection.

The SN75476, SN75477, and SN75478 drivers are characterized for operation from 0°C to 70°C.

## schematics of inputs and outputs



D OR P PACKAGE  
(TOP VIEW)



## Function Tables

SN75476  
(each AND driver)

INPUTS		OUTPUT
A	S	Y
H	H	H
L	X	L
X	L	L

SN75477  
(each NAND driver)

INPUTS		OUTPUT
A	S	Y
H	H	L
L	X	H
X	L	H

SN75478  
(each OR driver)

INPUTS		OUTPUT
A	S	Y
H	X	H
X	H	H
L	L	L

H = high level, L = low level  
X = irrelevant

PRODUCTION DATA information is current as of publication date. Products conform to specifications per the terms of Texas Instruments standard warranty. Production processing does not necessarily include testing of all parameters.

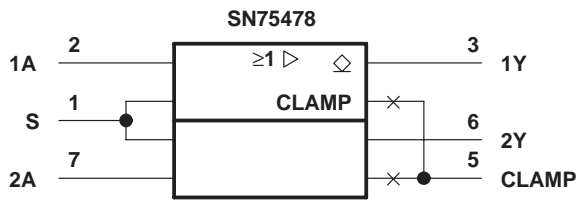
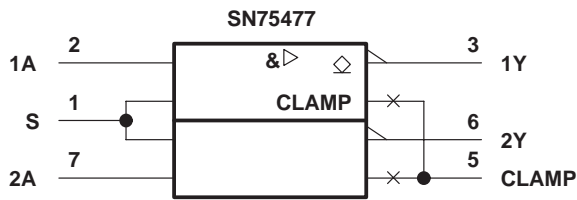
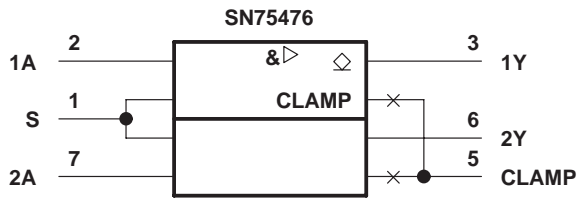


Copyright © 1995, Texas Instruments Incorporated

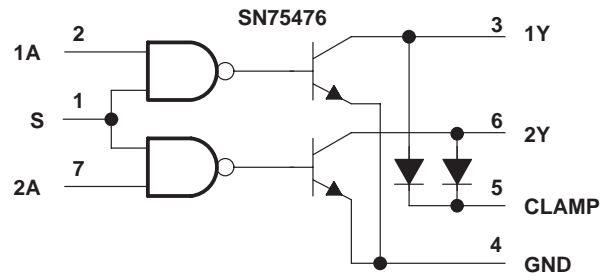
# SN75476 THRU SN75478 DUAL PERIPHERAL DRIVERS

SLRS025A – DECEMBER 1976 – REVISED NOVEMBER 1995

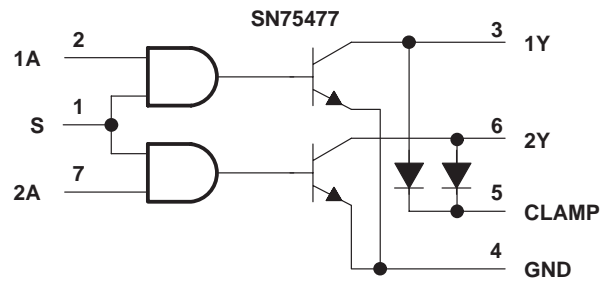
## logic symbols†



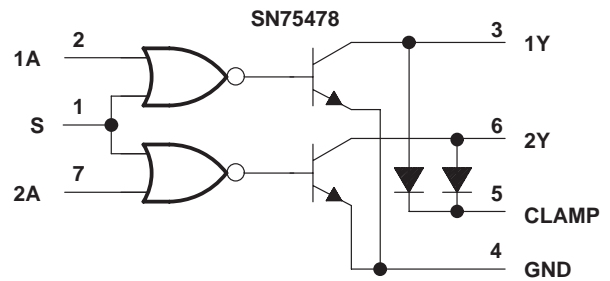
## logic diagrams (positive logic)



Positive Logic:  $Y = AS$  or  $\overline{A+S}$



Positive Logic:  $Y = \overline{AS}$  or  $\overline{A+S}$



Positive Logic:  $Y = A+S$  or  $\overline{\overline{A} \overline{S}}$

† These symbols are in accordance with ANSI/IEEE Std 91-1984 and IEC publication 617-12.

# SN75476 THRU SN75478 DUAL PERIPHERAL DRIVERS

SLRS025A – DECEMBER 1976 – REVISED NOVEMBER 1995

## absolute maximum ratings over operating free-air temperature range (unless otherwise noted)

Supply voltage, $V_{CC}$ (see Note 1)	7 V
Input voltage, $V_I$	5.5 V
Continuous output current (see Note 2)	400 mA
Peak output current: $t_w \leq 10$ ms, duty cycle $\leq 50\%$	500 mA
$t_w \leq 30$ ns, duty cycle $\leq 0.002\%$	3 A
Output clamp current, $I_{OK}$	400 mA
Continuous total power dissipation	See Dissipation Rating Table
Operating free-air temperature range, $T_A$	0°C to 70°C
Storage temperature range, $T_{stg}$	-65°C to 150°C
Lead temperature 1,6 mm (1/16 inch) from case for 10 seconds	260°C

- NOTES: 1. Voltage values are with respect to network GND.  
2. Both halves of this dual circuit may conduct rated current simultaneously; however, power dissipation averaged over a short time interval must fall within the continuous power dissipation ratings.

DISSIPATION RATING TABLE

PACKAGE	$T_A \leq 25^\circ\text{C}$ POWER RATING	DERATING FACTOR ABOVE $T_A = 25^\circ\text{C}$	$T_A = 70^\circ\text{C}$ POWER RATING
D	725 mW	5.8 mW/°C	464 mW
P	1000 mW	8.0 mW/°C	640 mW

## recommended operating conditions

	MIN	NOM	MAX	UNIT
Supply voltage, $V_{CC}$	4.5	5	5.5	V
High-level input voltage, $V_{IH}$	2			V
Low-level input voltage, $V_{IL}$			0.8	V
Operating free-air temperature, $T_A$	0		70	°C



# SN75476 THRU SN75478 DUAL PERIPHERAL DRIVERS

SLRS025A – DECEMBER 1976 – REVISED NOVEMBER 1995

## electrical characteristics over recommended operating free-air temperature range

PARAMETER		TEST CONDITIONS		MIN	TYP†	MAX	UNIT
V <sub>IK</sub>	Input clamp voltage	I <sub>I</sub> = -12 mA		-0.95	-1.5		V
V <sub>OL</sub>	Low-level output voltage	V <sub>CC</sub> = 4.5 V, V <sub>IH</sub> = 2 V, V <sub>IL</sub> = 0.8 V	I <sub>OL</sub> = 100 mA	0.16	0.3		V
			I <sub>OL</sub> = 175 mA	0.22	0.5		
			I <sub>OL</sub> = 300 mA	0.33	0.6		
V <sub>O(BR)</sub>	Output breakdown voltage	V <sub>CC</sub> = 4.5 V,	I <sub>OH</sub> = 100 μA	70	100		V
V <sub>R(K)</sub>	Output clamp reverse voltage	V <sub>CC</sub> = 4.5 V,	I <sub>R</sub> = 100 μA	70	100		V
V <sub>F(K)</sub>	Output clamp forward voltage	V <sub>CC</sub> = 4.5 V,	I <sub>F</sub> = 300 mA	0.8	1.15	1.6	V
I <sub>OH</sub>	High-level output current	V <sub>CC</sub> = 4.5 V, V <sub>IL</sub> = 0.8 V,	V <sub>IH</sub> = 2 V, V <sub>OH</sub> = 70 V		1	100	μA
I <sub>IH</sub>	High-level input current	V <sub>CC</sub> = 5.5 V,	V <sub>I</sub> = 5.5 V		0.01	10	μA
I <sub>IL</sub>	Low-level input current	A input	V <sub>CC</sub> = 5.5 V, V <sub>I</sub> = 0.8 V		-80	-110	μA
		S input			-160	-220	
I <sub>CCH</sub>	Supply current, outputs high	SN75476	V <sub>CC</sub> = 5.5 V	V <sub>I</sub> = 5 V	10	17	mA
		SN75477		V <sub>I</sub> = 0	10	17	
		SN75478		V <sub>I</sub> = 5 V	10	17	
I <sub>CCL</sub>	Supply current, outputs low	SN75476	V <sub>CC</sub> = 5.5 V	V <sub>I</sub> = 0	54	75	mA
		SN75477		V <sub>I</sub> = 5 V	54	75	
		SN75478		V <sub>I</sub> = 0	54	75	

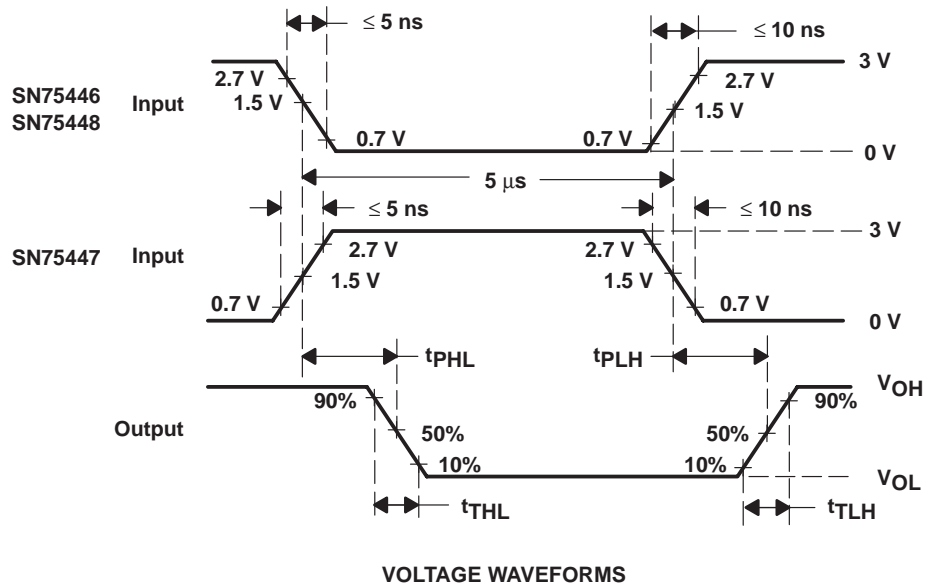
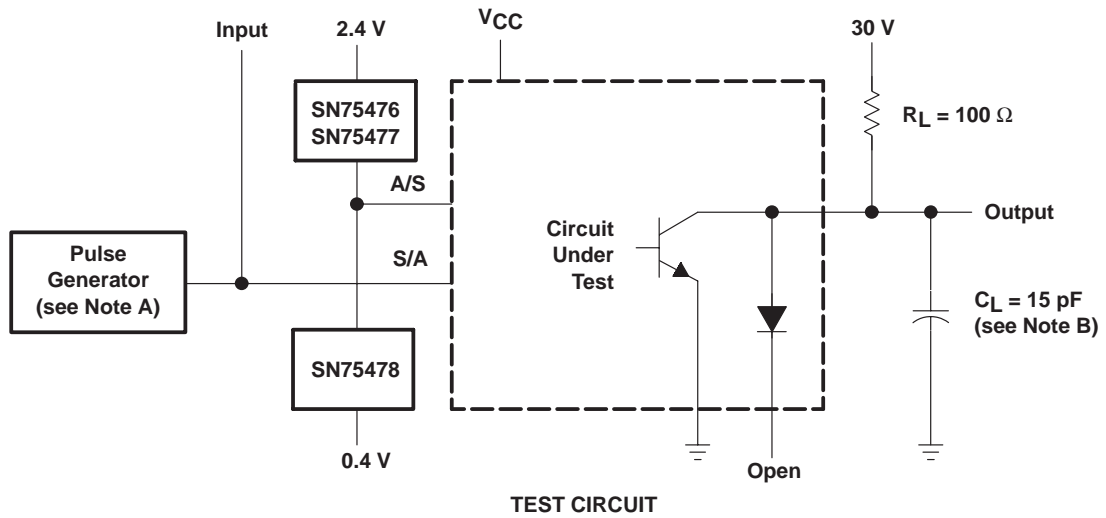
† All typical values are at V<sub>CC</sub> = 5 V, T<sub>A</sub> = 25°C.

## switching characteristics, V<sub>CC</sub> = 5 V, T<sub>A</sub> = 25°C

PARAMETER		TEST CONDITIONS		MIN	TYP	MAX	UNIT
t <sub>PLH</sub>	Propagation delay time, low-to-high-level output	C <sub>L</sub> = 15 pF, R <sub>L</sub> = 100 Ω, See Figure 1			200	350	ns
t <sub>PHL</sub>	Propagation delay time, high-to-low-level output				200	350	ns
t <sub>TLH</sub>	Transition time, low-to-high-level output				50	125	ns
t <sub>THL</sub>	Transition time, high-to-low-level output				90	125	ns
V <sub>OH</sub>	High-level output voltage after switching	V <sub>S</sub> = 55 V, See Figure 2	I <sub>O</sub> ≈ 300 mA,	V <sub>S</sub> -18			mV



## PARAMETER MEASUREMENT INFORMATION



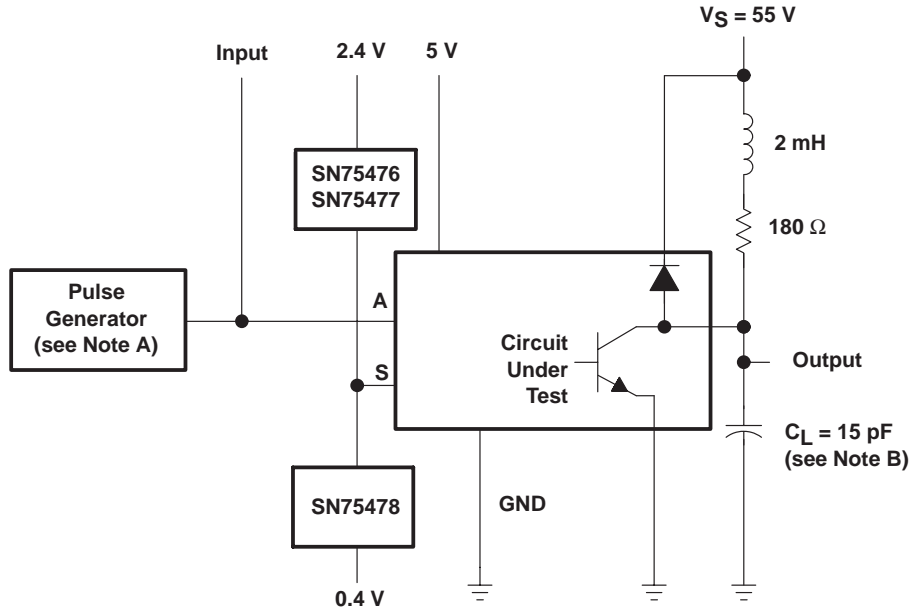
- NOTES: A. The pulse generator has the following characteristics: PRR = 100 kHz,  $Z_O = 50 \Omega$ .  
 B.  $C_L$  includes probe and jig capacitance.

**Figure 1. Test Circuit and Voltage Waveforms, Switching Characteristics**

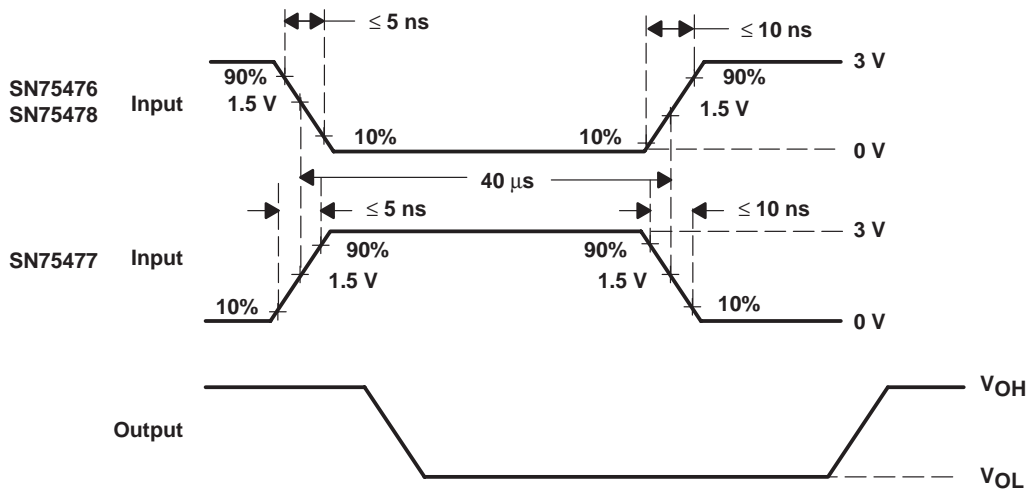
# SN75476 THRU SN75478 DUAL PERIPHERAL DRIVERS

SLRS025A – DECEMBER 1976 – REVISED NOVEMBER 1995

## PARAMETER MEASUREMENT INFORMATION



TEST CIRCUIT



VOLTAGE WAVEFORMS

- NOTES: A. The pulse generator has the following characteristics: PRR = 12.5 kHz,  $Z_0 = 50 \Omega$ .  
 B.  $C_L$  includes probe and jig capacitance.

Figure 2. Latch-Up Test Circuit and Voltage Waveforms

**PACKAGING INFORMATION**

Orderable Device	Status (1)	Package Type	Package Drawing	Pins	Package Qty	Eco Plan (2)	Lead/Ball Finish (6)	MSL Peak Temp (3)	Op Temp (°C)	Device Marking (4/5)	Samples
SN75476D	OBSOLETE	SOIC	D	8		TBD	Call TI	Call TI			
SN75476DR	OBSOLETE	SOIC	D	8		TBD	Call TI	Call TI			
SN75476P	OBSOLETE	PDIP	P	8		TBD	Call TI	Call TI			
SN75477D	ACTIVE	SOIC	D	8	75	Green (RoHS & no Sb/Br)	CU NIPDAU	Level-1-260C-UNLIM	0 to 70	75477	<a href="#">Samples</a>
SN75477DE4	ACTIVE	SOIC	D	8	75	Green (RoHS & no Sb/Br)	CU NIPDAU	Level-1-260C-UNLIM	0 to 70	75477	<a href="#">Samples</a>
SN75477DG4	ACTIVE	SOIC	D	8	75	Green (RoHS & no Sb/Br)	CU NIPDAU	Level-1-260C-UNLIM	0 to 70	75477	<a href="#">Samples</a>
SN75477DR	ACTIVE	SOIC	D	8	2500	Green (RoHS & no Sb/Br)	CU NIPDAU	Level-1-260C-UNLIM	0 to 70	75477	<a href="#">Samples</a>
SN75477DRE4	ACTIVE	SOIC	D	8	2500	Green (RoHS & no Sb/Br)	CU NIPDAU	Level-1-260C-UNLIM	0 to 70	75477	<a href="#">Samples</a>
SN75477P	ACTIVE	PDIP	P	8	50	Pb-Free (RoHS)	CU NIPDAU	N / A for Pkg Type	0 to 70	SN75477P	<a href="#">Samples</a>
SN75477PE4	ACTIVE	PDIP	P	8	50	Pb-Free (RoHS)	CU NIPDAU	N / A for Pkg Type	0 to 70	SN75477P	<a href="#">Samples</a>
SN75478D	OBSOLETE	SOIC	D	8		TBD	Call TI	Call TI	0 to 70		
SN75478P	ACTIVE	PDIP	P	8	50	Pb-Free (RoHS)	CU NIPDAU	N / A for Pkg Type	0 to 70	SN75478P	<a href="#">Samples</a>

(1) The marketing status values are defined as follows:

**ACTIVE:** Product device recommended for new designs.

**LIFEBUY:** TI has announced that the device will be discontinued, and a lifetime-buy period is in effect.

**NRND:** Not recommended for new designs. Device is in production to support existing customers, but TI does not recommend using this part in a new design.

**PREVIEW:** Device has been announced but is not in production. Samples may or may not be available.

**OBSOLETE:** TI has discontinued the production of the device.

(2) Eco Plan - The planned eco-friendly classification: Pb-Free (RoHS), Pb-Free (RoHS Exempt), or Green (RoHS & no Sb/Br) - please check <http://www.ti.com/productcontent> for the latest availability information and additional product content details.

**TBD:** The Pb-Free/Green conversion plan has not been defined.

**Pb-Free (RoHS):** TI's terms "Lead-Free" or "Pb-Free" mean semiconductor products that are compatible with the current RoHS requirements for all 6 substances, including the requirement that lead not exceed 0.1% by weight in homogeneous materials. Where designed to be soldered at high temperatures, TI Pb-Free products are suitable for use in specified lead-free processes.

**Pb-Free (RoHS Exempt):** This component has a RoHS exemption for either 1) lead-based flip-chip solder bumps used between the die and package, or 2) lead-based die adhesive used between the die and leadframe. The component is otherwise considered Pb-Free (RoHS compatible) as defined above.

---

**Green (RoHS & no Sb/Br):** TI defines "Green" to mean Pb-Free (RoHS compatible), and free of Bromine (Br) and Antimony (Sb) based flame retardants (Br or Sb do not exceed 0.1% by weight in homogeneous material)

(3) MSL, Peak Temp. - The Moisture Sensitivity Level rating according to the JEDEC industry standard classifications, and peak solder temperature.

(4) There may be additional marking, which relates to the logo, the lot trace code information, or the environmental category on the device.

(5) Multiple Device Markings will be inside parentheses. Only one Device Marking contained in parentheses and separated by a "~" will appear on a device. If a line is indented then it is a continuation of the previous line and the two combined represent the entire Device Marking for that device.

(6) Lead/Ball Finish - Orderable Devices may have multiple material finish options. Finish options are separated by a vertical ruled line. Lead/Ball Finish values may wrap to two lines if the finish value exceeds the maximum column width.

**Important Information and Disclaimer:** The information provided on this page represents TI's knowledge and belief as of the date that it is provided. TI bases its knowledge and belief on information provided by third parties, and makes no representation or warranty as to the accuracy of such information. Efforts are underway to better integrate information from third parties. TI has taken and continues to take reasonable steps to provide representative and accurate information but may not have conducted destructive testing or chemical analysis on incoming materials and chemicals. TI and TI suppliers consider certain information to be proprietary, and thus CAS numbers and other limited information may not be available for release.

In no event shall TI's liability arising out of such information exceed the total purchase price of the TI part(s) at issue in this document sold by TI to Customer on an annual basis.



**TAPE AND REEL INFORMATION**



**QUADRANT ASSIGNMENTS FOR PIN 1 ORIENTATION IN TAPE**



\*All dimensions are nominal

Device	Package Type	Package Drawing	Pins	SPQ	Reel Diameter (mm)	Reel Width W1 (mm)	A0 (mm)	B0 (mm)	K0 (mm)	P1 (mm)	W (mm)	Pin1 Quadrant
SN75477DR	SOIC	D	8	2500	330.0	12.4	6.4	5.2	2.1	8.0	12.0	Q1

**TAPE AND REEL BOX DIMENSIONS**



\*All dimensions are nominal

Device	Package Type	Package Drawing	Pins	SPQ	Length (mm)	Width (mm)	Height (mm)
SN75477DR	SOIC	D	8	2500	340.5	338.1	20.6

P (R-PDIP-T8)

PLASTIC DUAL-IN-LINE PACKAGE

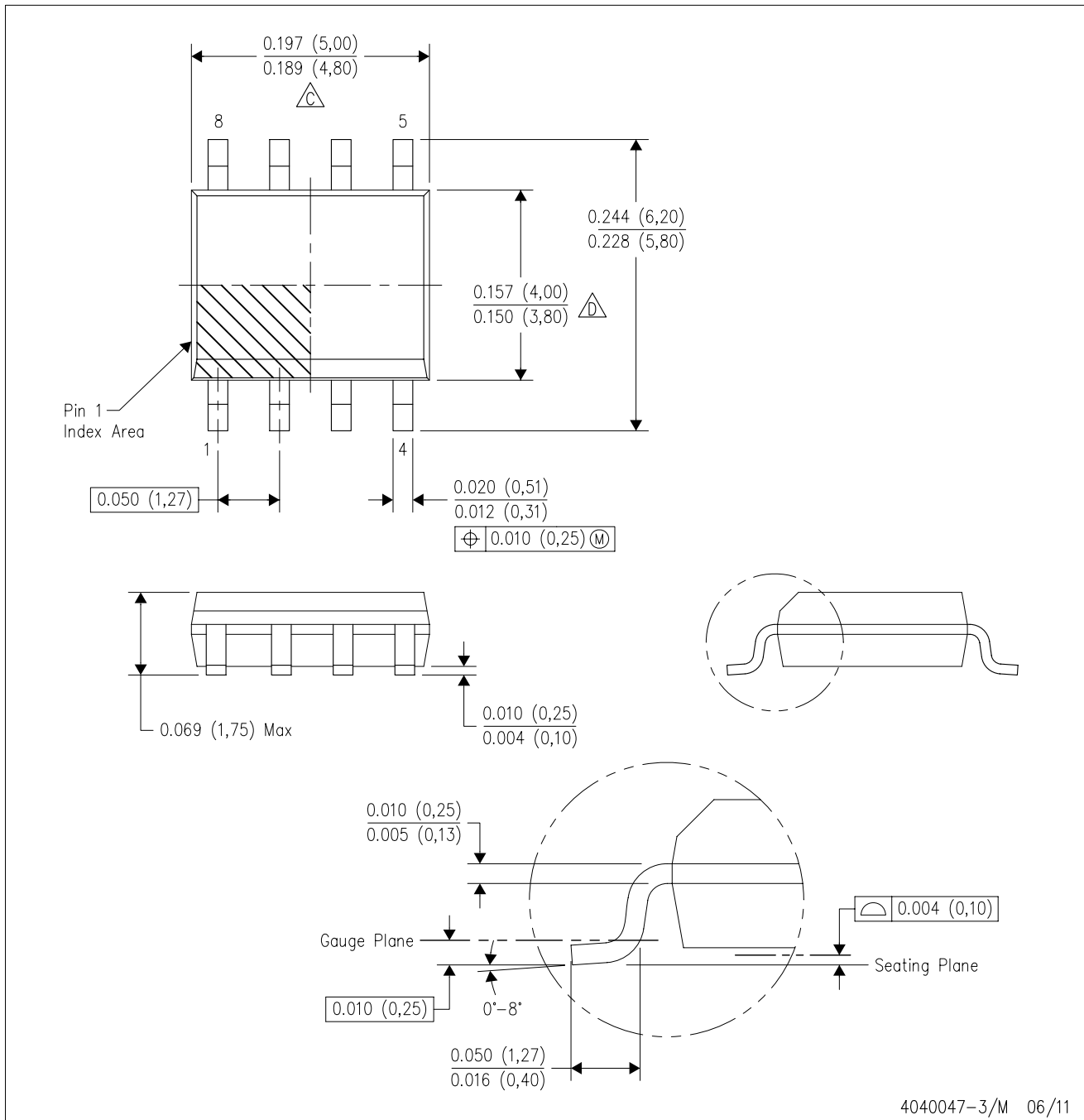


4040082/E 04/2010

- NOTES:
- A. All linear dimensions are in inches (millimeters).
  - B. This drawing is subject to change without notice.
  - C. Falls within JEDEC MS-001 variation BA.

D (R-PDSO-G8)

PLASTIC SMALL OUTLINE



- NOTES:
- A. All linear dimensions are in inches (millimeters).
  - B. This drawing is subject to change without notice.
  - C. Body length does not include mold flash, protrusions, or gate burrs. Mold flash, protrusions, or gate burrs shall not exceed 0.006 (0,15) each side.
  - D. Body width does not include interlead flash. Interlead flash shall not exceed 0.017 (0,43) each side.
  - E. Reference JEDEC MS-012 variation AA.

D (R-PDSO-G8)

PLASTIC SMALL OUTLINE



- NOTES:
- A. All linear dimensions are in millimeters.
  - B. This drawing is subject to change without notice.
  - C. Publication IPC-7351 is recommended for alternate designs.
  - D. Laser cutting apertures with trapezoidal walls and also rounding corners will offer better paste release. Customers should contact their board assembly site for stencil design recommendations. Refer to IPC-7525 for other stencil recommendations.
  - E. Customers should contact their board fabrication site for solder mask tolerances between and around signal pads.

## IMPORTANT NOTICE

Texas Instruments Incorporated and its subsidiaries (TI) reserve the right to make corrections, enhancements, improvements and other changes to its semiconductor products and services per JESD46, latest issue, and to discontinue any product or service per JESD48, latest issue. Buyers should obtain the latest relevant information before placing orders and should verify that such information is current and complete. All semiconductor products (also referred to herein as "components") are sold subject to TI's terms and conditions of sale supplied at the time of order acknowledgment.

TI warrants performance of its components to the specifications applicable at the time of sale, in accordance with the warranty in TI's terms and conditions of sale of semiconductor products. Testing and other quality control techniques are used to the extent TI deems necessary to support this warranty. Except where mandated by applicable law, testing of all parameters of each component is not necessarily performed.

TI assumes no liability for applications assistance or the design of Buyers' products. Buyers are responsible for their products and applications using TI components. To minimize the risks associated with Buyers' products and applications, Buyers should provide adequate design and operating safeguards.

TI does not warrant or represent that any license, either express or implied, is granted under any patent right, copyright, mask work right, or other intellectual property right relating to any combination, machine, or process in which TI components or services are used. Information published by TI regarding third-party products or services does not constitute a license to use such products or services or a warranty or endorsement thereof. Use of such information may require a license from a third party under the patents or other intellectual property of the third party, or a license from TI under the patents or other intellectual property of TI.

Reproduction of significant portions of TI information in TI data books or data sheets is permissible only if reproduction is without alteration and is accompanied by all associated warranties, conditions, limitations, and notices. TI is not responsible or liable for such altered documentation. Information of third parties may be subject to additional restrictions.

Resale of TI components or services with statements different from or beyond the parameters stated by TI for that component or service voids all express and any implied warranties for the associated TI component or service and is an unfair and deceptive business practice. TI is not responsible or liable for any such statements.

Buyer acknowledges and agrees that it is solely responsible for compliance with all legal, regulatory and safety-related requirements concerning its products, and any use of TI components in its applications, notwithstanding any applications-related information or support that may be provided by TI. Buyer represents and agrees that it has all the necessary expertise to create and implement safeguards which anticipate dangerous consequences of failures, monitor failures and their consequences, lessen the likelihood of failures that might cause harm and take appropriate remedial actions. Buyer will fully indemnify TI and its representatives against any damages arising out of the use of any TI components in safety-critical applications.

In some cases, TI components may be promoted specifically to facilitate safety-related applications. With such components, TI's goal is to help enable customers to design and create their own end-product solutions that meet applicable functional safety standards and requirements. Nonetheless, such components are subject to these terms.

No TI components are authorized for use in FDA Class III (or similar life-critical medical equipment) unless authorized officers of the parties have executed a special agreement specifically governing such use.

Only those TI components which TI has specifically designated as military grade or "enhanced plastic" are designed and intended for use in military/aerospace applications or environments. Buyer acknowledges and agrees that any military or aerospace use of TI components which have **not** been so designated is solely at the Buyer's risk, and that Buyer is solely responsible for compliance with all legal and regulatory requirements in connection with such use.

TI has specifically designated certain components as meeting ISO/TS16949 requirements, mainly for automotive use. In any case of use of non-designated products, TI will not be responsible for any failure to meet ISO/TS16949.

### Products

Audio	<a href="http://www.ti.com/audio">www.ti.com/audio</a>
Amplifiers	<a href="http://amplifier.ti.com">amplifier.ti.com</a>
Data Converters	<a href="http://dataconverter.ti.com">dataconverter.ti.com</a>
DLP® Products	<a href="http://www.dlp.com">www.dlp.com</a>
DSP	<a href="http://dsp.ti.com">dsp.ti.com</a>
Clocks and Timers	<a href="http://www.ti.com/clocks">www.ti.com/clocks</a>
Interface	<a href="http://interface.ti.com">interface.ti.com</a>
Logic	<a href="http://logic.ti.com">logic.ti.com</a>
Power Mgmt	<a href="http://power.ti.com">power.ti.com</a>
Microcontrollers	<a href="http://microcontroller.ti.com">microcontroller.ti.com</a>
RFID	<a href="http://www.ti-rfid.com">www.ti-rfid.com</a>
OMAP Applications Processors	<a href="http://www.ti.com/omap">www.ti.com/omap</a>
Wireless Connectivity	<a href="http://www.ti.com/wirelessconnectivity">www.ti.com/wirelessconnectivity</a>

### Applications

Automotive and Transportation	<a href="http://www.ti.com/automotive">www.ti.com/automotive</a>
Communications and Telecom	<a href="http://www.ti.com/communications">www.ti.com/communications</a>
Computers and Peripherals	<a href="http://www.ti.com/computers">www.ti.com/computers</a>
Consumer Electronics	<a href="http://www.ti.com/consumer-apps">www.ti.com/consumer-apps</a>
Energy and Lighting	<a href="http://www.ti.com/energy">www.ti.com/energy</a>
Industrial	<a href="http://www.ti.com/industrial">www.ti.com/industrial</a>
Medical	<a href="http://www.ti.com/medical">www.ti.com/medical</a>
Security	<a href="http://www.ti.com/security">www.ti.com/security</a>
Space, Avionics and Defense	<a href="http://www.ti.com/space-avionics-defense">www.ti.com/space-avionics-defense</a>
Video and Imaging	<a href="http://www.ti.com/video">www.ti.com/video</a>

### TI E2E Community

[e2e.ti.com](http://e2e.ti.com)