

## SN75LVCP600S 1.5-, 3.0-, and 6.0-Gbps SATA/SAS Redriver

### 1 Features

- Single 3.3-V Supply
- Suitable to Receive 6-Gbps Data Over up to >40 Inches (1 m) of FR4 PCB
- Two-Level RX and TX Equalization
  - RX → 7, 15 dB
  - TX → 0, –1.3 dB
- Pin-Selectable SATA/SAS Signaling
- Programmable Squelch Threshold for Long Channels
- Low Power in Active, Partial, and Slumber States
  - 106 mW Typical (Active Mode at 6 Gbps)
  - <11 mW (When Link in Partial and Slumber State)
- Ultra-small Package for Optimal Placement
  - 10-Pad 2.5-mm x 2.5-mm QFN
- High ESD-Transient Protection
  - HBM: 9,000 V
  - CDM: 1,500 V
  - MM: 200 V

### 2 Applications

- Notebook and Desktop PCs
- Docking Stations
- Active Cable
- Servers
- Workstations

### 3 Description

The SN75LVCP600S is a single-channel SATA/SAS signal conditioner supporting data rates up to 6 Gbps. The device complies with SATA physical spec rev 3.0 and SAS electrical spec 2.0. The SN75LVCP600S operates from a single 3.3-V supply and has 100-Ω line termination with a self-biasing feature, making the device suitable for AC coupling. The inputs incorporate an out-of-band (OOB) detector, which automatically squelches the output while maintaining a stable common-mode voltage compliant to the SATA/SAS link.

The SN75LVCP600S handles interconnect losses at its input with selectable equalization settings that can be programmed to the match loss in the channel. For data rates of 3 Gbps and lower, the LVCP600S equalizes signals for a span of up to 50 inches of FR4 board material. For data rates of 6 Gbps, the device compensates >40 inches (1 m) of FR4 material. Rx/Tx equalization level is controlled by the setting of signal control pins EQ and DE.

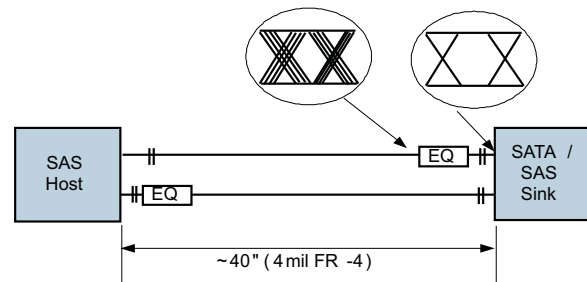
The device is hot-plug capable (requires use of AC-coupling capacitors at differential inputs and outputs), preventing device damage during device *hot*-insertion such as async signal plug/removal, unpowered plug/removal, powered plug/removal, or surprise plug/removal.

#### Device Information<sup>(1)</sup>

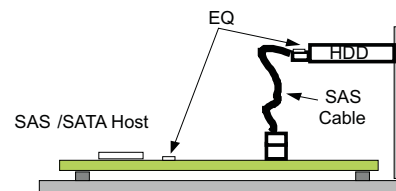
PART NUMBER	PACKAGE	BODY SIZE (NOM)
SN75LVCP600S	SON (10)	2.50 mm x 2.50 mm

(1) For all available packages, see the orderable addendum at the end of the data sheet.

#### Simplified Schematic



EQ = LVCP600S



## Table of Contents

<b>1 Features</b> .....	<b>1</b>	8.3 Feature Description .....	<b>13</b>
<b>2 Applications</b> .....	<b>1</b>	8.4 Device Functional Modes .....	<b>14</b>
<b>3 Description</b> .....	<b>1</b>	<b>9 Application and Implementation</b> .....	<b>15</b>
<b>4 Revision History</b> .....	<b>2</b>	9.1 Application Information .....	<b>15</b>
<b>5 Pin Configuration and Functions</b> .....	<b>3</b>	9.2 Typical Application .....	<b>15</b>
<b>6 Specifications</b> .....	<b>4</b>	9.3 System Examples .....	<b>19</b>
6.1 Absolute Maximum Ratings .....	<b>4</b>	<b>10 Power Supply Recommendations</b> .....	<b>19</b>
6.2 ESD Ratings .....	<b>4</b>	<b>11 Layout</b> .....	<b>20</b>
6.3 Recommended Operating Conditions .....	<b>4</b>	11.1 Layout Guidelines .....	<b>20</b>
6.4 Thermal Information .....	<b>4</b>	11.2 Layout Example .....	<b>20</b>
6.5 Electrical Characteristics .....	<b>5</b>	<b>12 Device and Documentation Support</b> .....	<b>21</b>
6.6 Timing Requirements .....	<b>7</b>	12.1 Community Resources .....	<b>21</b>
6.7 Typical Characteristics .....	<b>10</b>	12.2 Trademarks .....	<b>21</b>
<b>7 Parameter Measurement Information</b> .....	<b>11</b>	12.3 Electrostatic Discharge Caution .....	<b>21</b>
<b>8 Detailed Description</b> .....	<b>12</b>	12.4 Glossary .....	<b>21</b>
8.1 Overview .....	<b>12</b>	<b>13 Mechanical, Packaging, and Orderable Information</b> .....	<b>21</b>
8.2 Functional Block Diagram .....	<b>12</b>		

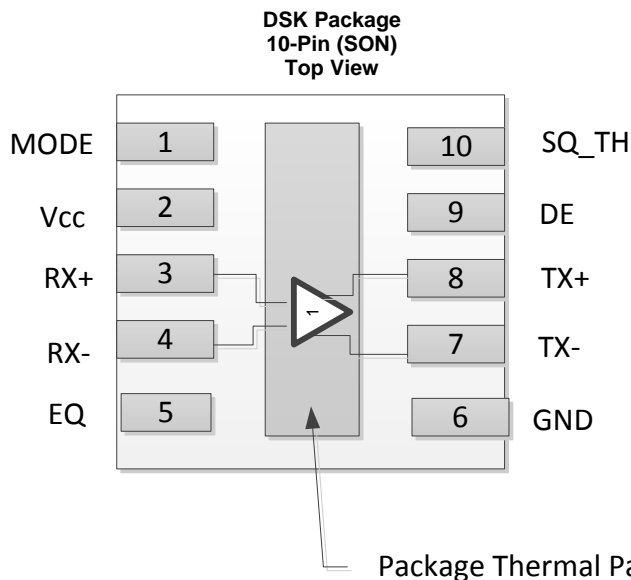
## 4 Revision History

### Changes from Original (March 2011) to Revision A

**Page**

<ul style="list-style-type: none"> <li>Added <i>Device Information</i> table, <i>ESD Ratings</i> table, <i>Timing Requirements</i> table, <i>Parameter Measurement Information</i> section, <i>Detailed Description</i> section, <i>Application and Implementation</i> section, <i>Power Supply Recommendations</i> section, <i>Layout</i> section, <i>Device and Documentation Support</i>, <i>Mechanical, Packaging, and Orderable Information</i> .....</li> </ul>	<b>1</b>
<ul style="list-style-type: none"> <li>Changed pins TX+ and TX- I/O Type From: I, CML To: O, VML .....</li> </ul>	<b>3</b>
<ul style="list-style-type: none"> <li>Changed pins TX+ and TX- Description From: "Non-inverting and inverting CML differential outputs." To: "Noninverting and inverting VML differential outputs." .....</li> </ul>	<b>3</b>
<ul style="list-style-type: none"> <li>Deleted last bullet list item "The control pin pullup and pulldown resistors..." from the <i>Layout Guidelines</i> section .....</li> </ul>	<b>20</b>

## 5 Pin Configuration and Functions



TI recommends soldering the package thermal pad to the ground plane for maximum thermal performance.

### Pin Functions

PIN		I/O TYPE	DESCRIPTION
NO.	NAME		
<b>HIGH SPEED DIFFERENTIAL I/O</b>			
3	RX+	I, CML	Noninverting and inverting CML differential inputs. These pins are tied to an internal voltage bias by dual termination-resistor circuit.
4	RX-	I, CML	
8	TX+	O, VML	Noninverting and inverting VML differential outputs. These pins are tied to an internal voltage bias by dual termination-resistor circuit.
7	TX-	O, VML	
<b>CONTROL PINS</b>			
5	EQ	I, LVCMOS	Selects equalization settings per <a href="#">Table 1</a> . Internally tied to GND
9	DE	I, LVCMOS	Selects de-emphasis settings per <a href="#">Table 1</a> . Internally tied to GND
1	MODE	I, LVCMOS	Selects SATA or SAS output levels per <a href="#">Table 1</a> . Internally tied to GND
10	SQ_TH	I, LVCMOS	Selects squelch threshold settings per <a href="#">Table 1</a> . Internally tied to GND
<b>POWER</b>			
2	V <sub>CC</sub>	Power	Positive supply must be 3.3 V ±10%
6	GND	Power	Supply ground

## 6 Specifications

### 6.1 Absolute Maximum Ratings

over operating free-air temperature range (unless otherwise noted)<sup>(1)</sup>

		MIN	MAX	UNIT
Supply voltage <sup>(2)</sup>	V <sub>CC</sub>	-0.5	4	V
Voltage	Differential I/O	-0.5	4	V
	Control I/O	-0.5	V <sub>CC</sub> + 0.5	V
Continuous power dissipation		See <a href="#">Thermal Information Table</a>		
Storage temperature, T <sub>A</sub>		-65	150	°C

- (1) Stresses beyond those listed under *Absolute Maximum Ratings* may cause permanent damage to the device. These are stress ratings only, and functional operation of the device at these or any conditions beyond those indicated under *Recommended Operating Conditions* is not implied. Exposure to absolute-maximum-rated conditions for extended periods may affect device reliability.
- (2) All voltage values, except differential voltages, are with respect to the network ground terminal.

### 6.2 ESD Ratings

		VALUE	UNIT
V <sub>(ESD)</sub> Electrostatic discharge	Human-body model (HBM), per ANSI/ESDA/JEDEC JS-001 <sup>(1)</sup>	±9000	V
	Charged-device model (CDM), per JEDEC specification JESD22-C101 <sup>(2)</sup>	±1500	
	Machine model (MM)	±200	

- (1) JEDEC document JEP155 states that 500-V HBM allows safe manufacturing with a standard ESD control process.
- (2) JEDEC document JEP157 states that 250-V CDM allows safe manufacturing with a standard ESD control process.

### 6.3 Recommended Operating Conditions

typical values for all parameters are at V<sub>CC</sub> = 3.3 V and T<sub>A</sub> = 25°C; all temperature limits are specified by design

PARAMETER		MIN	NOM	MAX	UNITS
V <sub>CC</sub>	Supply voltage	3	3.3	3.6	V
C <sub>COUPLING</sub>	Coupling capacitor		12		nF
T <sub>A</sub>	Operating free-air temperature	-40		85	°C

### 6.4 Thermal Information

THERMAL METRIC <sup>(1)</sup>		SN75LVCP600S	UNIT
		DSK (SON)	
		10 PINS	
R <sub>θJA</sub>	Junction-to-ambient thermal resistance	55.7	°C/W
R <sub>θJC(top)</sub>	Junction-to-case (top) thermal resistance	61.9	°C/W
R <sub>θJB</sub>	Junction-to-board thermal resistance	29.2	°C/W
ψ <sub>JT</sub>	Junction-to-top characterization parameter	1.0	°C/W
ψ <sub>JB</sub>	Junction-to-board characterization parameter	29.3	°C/W
R <sub>θJC(bot)</sub>	Junction-to-case (bottom) thermal resistance	9.4	°C/W

- (1) For more information about traditional and new thermal metrics, see the *Semiconductor and IC Package Thermal Metrics* application report, [SPRA953](#).

## 6.5 Electrical Characteristics

over recommended operating conditions (unless otherwise noted)

PARAMETER		TEST CONDITIONS	MIN	TYP	MAX	UNIT
<b>DEVICE PARAMETERS</b>						
I <sub>CCMax</sub>	Active mode supply current	MODE/EQ/DE/SQ_TH = NC, K28.5 pattern at 6 Gbps, V <sub>ID</sub> = 700 mV <sub>pp</sub> , (SATA mode)	29	41		mA
		MODE/EQ/DE/SQ_TH = V <sub>CC</sub> , K28.5 pattern at 6 Gbps, V <sub>ID</sub> = 700 mV <sub>pp</sub> , (SAS mode)	32	45		
I <sub>CCPS</sub>	Auto power-save mode I <sub>CC</sub>	When auto low-power conditions are met	3.3	5		mA
	Maximum data rate			6		Gbps
<b>OOB</b>						
V <sub>OOB_SAS</sub>	Input OOB threshold (output squelched below this level)	f = 750MHz; SQ_TH=0, MODE = 1, measured at receiver pin	88	112	131	mV <sub>pp</sub>
		f = 750MHz; SQ_TH=1, MODE = 1, measured at receiver pin	67	85	100	
V <sub>OOB_SATA</sub>	Input OOB threshold (output squelched below this level)	f = 750MHz; SQ_TH=0, MODE = 0, measured at receiver pin	40	66	86	
		f = 750MHz; SQ_TH=1, MODE = 0, measured at receiver pin	35	56	72	
D <sub>VdiffOOB</sub>	OOB differential delta			25		mV
D <sub>VCMOOB</sub>	OOB common-mode delta			50		mV
<b>CONTROL LOGIC</b>						
V <sub>IH</sub>	High-level input voltage	For all control pins	1.4			V
V <sub>IL</sub>	Low-level input voltage				0.5	V
V <sub>INHYS</sub>	Input hysteresis			115		mV
I <sub>IH</sub>	High-level input current	MODE, SQ_TH = V <sub>CC</sub>			30	μA
		EQ, DE = V <sub>CC</sub>			20	
I <sub>IL</sub>	Low-level input current	MODE, SQ_TH = GND			-30	μA
		EQ, DE = GND			-10	
<b>RECEIVER AC/DC</b>						
Z <sub>DIFFRX</sub>	Differential input impedance		85	100	115	Ω
Z <sub>SERX</sub>	Single-ended input impedance		40			Ω
V <sub>CMRX</sub>	Common-mode voltage			1.7		V
R <sub>LDiffRX</sub>	Differential mode return loss (RL)	f = 150 MHz–300 MHz	18	26		dB
		f = 300 MHz–600 MHz	14	23		
		f = 600 MHz–1.2 GHz	10	17		
		f = 1.2 GHz–2.4 GHz	8	14		
		f = 2.4 GHz–3 GHz	3	13		
R <sub>XDiffRLSlope</sub>	Differential mode RL slope	f = 300 MHz–6 GHz			-13	dB/dec
R <sub>LCMRX</sub>	Common-mode return loss	f = 150 MHz–300 MHz	5	10		dB
		f = 300 MHz–600 MHz	5	18		
		f = 600 MHz–1.2 GHz	2	16		
		f = 1.2 GHz–2.4 GHz	1	12		
		f = 2.4 GHz–3 GHz	1	12		
V <sub>diffRX</sub>	Differential input voltage PP	MODE = 1, f = 1.5 GHz and 3 GHz	275		1600	mVpp
		MODE = 0, f = 1.5 GHz and 3 GHz	225		1600	

**Electrical Characteristics (continued)**

over recommended operating conditions (unless otherwise noted)

PARAMETER		TEST CONDITIONS	MIN	TYP	MAX	UNIT
IB <sub>RX</sub>	Impedance balance	f = 150 MHz–300 MHz	30	47		dB
		f = 300 MHz–600 MHz	30	40		
		f = 600 MHz–1.2 GHz	20	34		
		f = 1.2 GHz–2.4 GHz	10	28		
		f = 2.4 GHz–3. GHz	10	24		
		f = 3 GHz–5 GHz	4	22		
		f = 5 GHz–6.5 GHz	4	22		
<b>TRANSMITTER AC/DC</b>						
Z <sub>diffTX</sub>	Pair differential impedance		85	100	122	Ω
Z <sub>SETX</sub>	Single-ended input impedance		40			Ω
V <sub>TXtrans</sub>	Sequencing transient voltage	Transient voltages on the serial data bus during power sequencing (lab load)	–1.2	0	1.2	V
RL <sub>DiffTX</sub>	Differential mode return loss	f = 150 MHz–300 MHz	13	22		dB
		f = 300 MHz–600 MHz	8	21		
		f = 600 MHz–1.2 GHz	6	20		
		f = 1.2 GHz–2.4 GHz	6	17		
		f = 2.4 GHz–3 GHz	3	17		
TX <sub>DiffRLSlope</sub>	Differential-mode RL slope	f = 300 MHz–3 GHz		–13		dB/dec
RL <sub>CMTX</sub>	Common-mode return loss	f = 150 MHz–300 MHz	5	19		dB
		f = 300 MHz–600 MHz	5	16		
		f = 600 MHz–1.2 GHz	2	11		
		f = 1.2 GHz–2.4 GHz	1	9		
		f = 2.4 GHz–3 GHz	1	10		
IB <sub>TX</sub>	Impedance balance	f = 150 MHz–300 MHz	30	43		dB
		f = 300 MHz–600 MHz	30	40		
		f = 600 MHz–1.2 GHz	20	32		
		f = 1.2 GHz–2.4 GHz	10	25		
		f = 2.4 GHz–3 GHz	10	27		
		f = 3 GHz–5 GHz	4	25		
		f = 5. GHz–6.5 GHz	4	26		
Diff <sub>VppTX</sub>	Differential output-voltage swing	DE = 1, MODE = 1→(SAS), f = 3 GHz (under no interconnect loss)	385	850	1300	mVpp
		DE = 0, MODE = 0→(SATA), f = 3 GHz (under no interconnect loss)	400	600	800	
DE	De-emphasis level	DE = 1		–1.3		dB
		DE = 0		0		
VCM <sub>AC_TX</sub>	TX AC CM voltage	At 1.5 GHz		20	50	mVpp
		At 3 GHz		11	26	dBmv (rms)
		At 6 GHz		13	30	
VCM <sub>TX</sub>	Common-mode voltage			1.7		V
TxR/F <sub>imb</sub>	TX rise/fall imbalance	At 3 Gbps		3%	18%	
TxA <sub>mplmb</sub>	TX amplitude imbalance			1.5%	10%	

## Electrical Characteristics (continued)

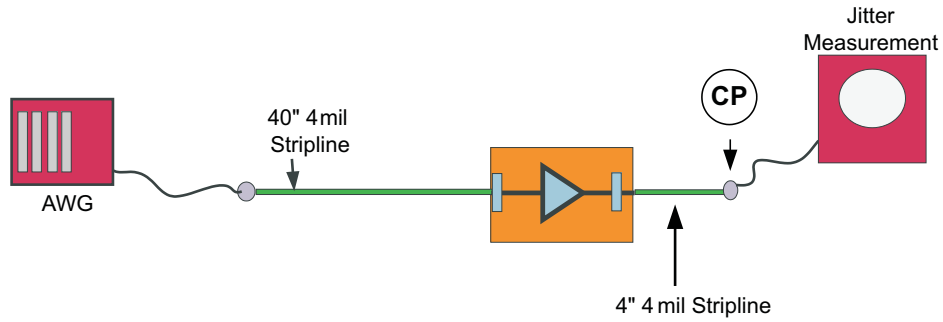
over recommended operating conditions (unless otherwise noted)

PARAMETER		TEST CONDITIONS	MIN	TYP	MAX	UNIT
<b>TRANSMITTER JITTER AT CP<sup>(1)</sup></b>						
<b>3-Gbps SATA Mode</b>						
T <sub>JTX</sub>	Total jitter <sup>(1)</sup>		0.26	0.38		U <sub>Ipp</sub>
D <sub>JTX</sub>	Deterministic jitter	V <sub>ID</sub> = 500 mV <sub>pp</sub> , UI = 333 ps, K28.5 control character, EQ/DE = 1	0.13	0.24		U <sub>Ipp</sub>
R <sub>JTX</sub>	Residual random jitter	V <sub>ID</sub> = 500 mV <sub>pp</sub> , UI = 333 ps, K28.7 control character, EQ/DE = 1	1.16	1.95		ps-rms
<b>6-Gbps SATA Mode</b>						
T <sub>JTX</sub>	Total jitter <sup>(1)</sup>		0.37	0.61		U <sub>Ipp</sub>
D <sub>JTX</sub>	Deterministic jitter	V <sub>ID</sub> = 500 mV <sub>pp</sub> , UI = 167 ps, K28.5 control character, EQ/DE = 1	0.12	0.32		U <sub>Ipp</sub>
R <sub>JTX</sub>	Residual random jitter	V <sub>ID</sub> = 500 mV <sub>pp</sub> , UI = 167 ps, K28.7 control character, EQ/DE = 1	1.15	2.2		ps-rms
<b>3-Gbps SAS Mode</b>						
T <sub>JTX</sub>	Total jitter <sup>(1)</sup>		0.25	0.37		U <sub>Ipp</sub>
D <sub>JTX</sub>	Deterministic jitter	V <sub>ID</sub> = 500 mV <sub>pp</sub> , UI = 333 ps, K28.5 control character, EQ/DE = 1	0.12	0.23		U <sub>Ipp</sub>
R <sub>JTX</sub>	Residual random jitter	V <sub>ID</sub> = 500 mV <sub>pp</sub> , UI = 333 ps, K28.7 control character, EQ/DE = 1	1.11	2		ps-rms
<b>6-Gbps SAS Mode</b>						
T <sub>JTX</sub>	Total jitter <sup>(1)</sup>		0.35	0.57		U <sub>Ipp</sub>
D <sub>JTX</sub>	Deterministic jitter	V <sub>ID</sub> = 500 mV <sub>pp</sub> , UI = 167 ps, K28.5 control character, EQ/DE = 1	0.10	0.29		U <sub>Ipp</sub>
R <sub>JTX</sub>	Residual random jitter	V <sub>ID</sub> = 500 mV <sub>pp</sub> , UI = 167 ps, K28.7 control character, EQ/DE = 1	1.1	2.14		ps-rms

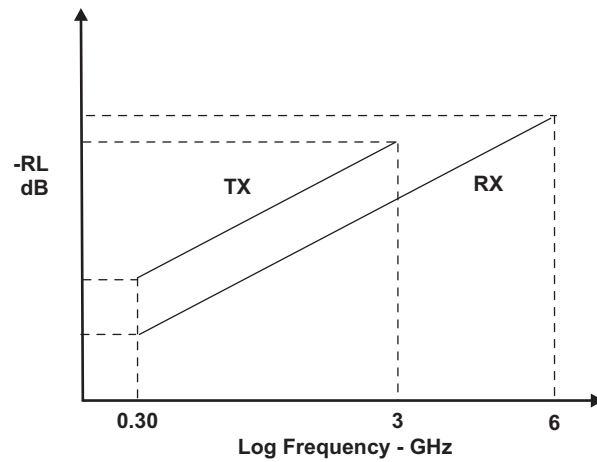
(1)  $T_J = (14.1 \times R_{JSD} + DJ)$ , where  $R_{JSD}$  is one standard deviation value of RJ Gaussian distribution. Jitter measurement is at the CP connector and includes jitter generated at the package connection on the printed circuit board, and at the board interconnect as shown in [Figure 1](#).

## 6.6 Timing Requirements

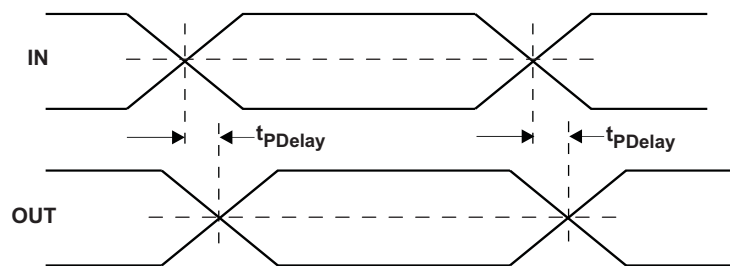
			MIN	NOM	MAX	UNIT
<b>DEVICE PARAMETERS</b>						
t <sub>PDelay</sub>	Propagation delay	Measured using K28.5 pattern, See <a href="#">Figure 3</a>		280	330	ps
AutoLP <sub>ENTRY</sub>	Auto low power entry time	Electrical idle at input, See <a href="#">Figure 5</a>		11	20	μs
AutoLP <sub>EXIT</sub>	Auto low power exit time	After first signal activity, See <a href="#">Figure 5</a>		30	40	ns
<b>OOB</b>						
t <sub>OOB1</sub>	OOB mode enter	See <a href="#">Figure 4</a>		3	8	ns
t <sub>OOB2</sub>	OOB mode exit	See <a href="#">Figure 4</a>		3	8	ns
<b>RECEIVER AC/DC</b>						
t <sub>20-80RX</sub>	Rise and fall time	Rise times and fall times measured between 20% and 80% of the signal. SATA/SAS 6 Gbps speed measured 1 inch (2.54 cm) from device pin	62		75	ps
t <sub>skewRX</sub>	Differential skew	Difference between the single-ended mid-point of the RX+ signal rising/falling edge, and the single-ended mid-point of the RX- signal falling/rising edge			30	ps
<b>TRANSMITTER AC/DC</b>						
t <sub>20-80TX</sub>	Rise and fall time	Rise times and fall times measured between 20% and 80% of the signal. At 6 Gbps SATA or SAS, under no load, measured at the pin	33	50	76	ps
t <sub>skewTX</sub>	Differential skew	Difference between the single-ended mid-point of the TX+ signal rising/falling edge, and the single-ended mid-point of the TX- signal falling/rising edge, SATA or SAS mode		4	14	ps



**Figure 1. Jitter Measurement Test Condition**



**Figure 2. TX, RX Differential Return Loss Limits**



**Figure 3. Propagation Delay Timing Diagram**



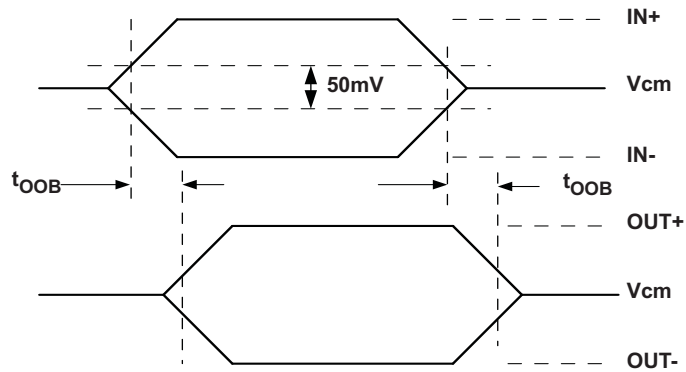


Figure 4. OOB Enter and Exit Timing

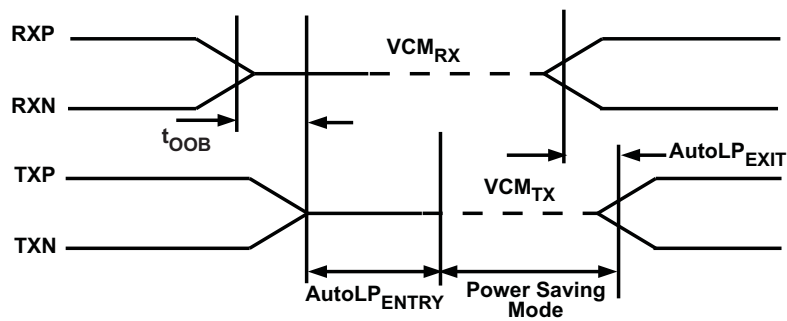
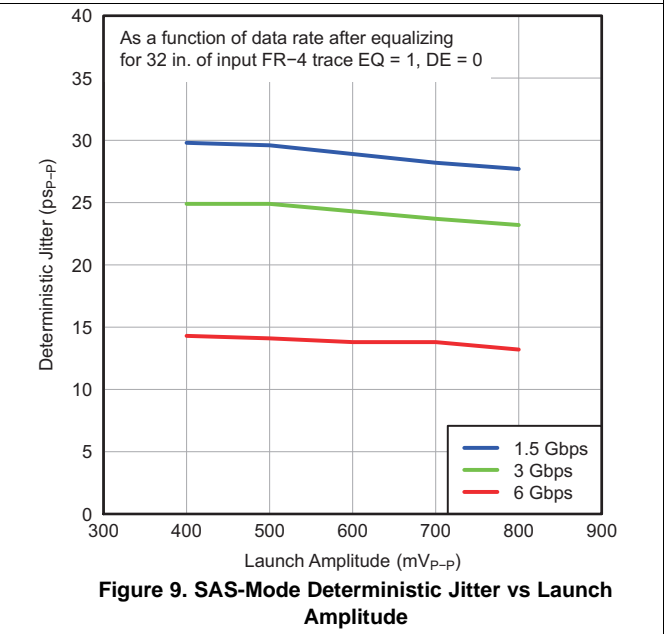
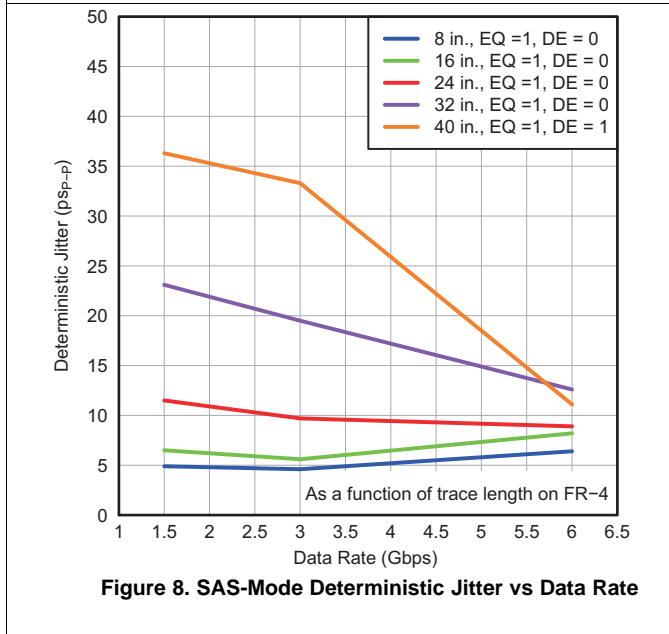
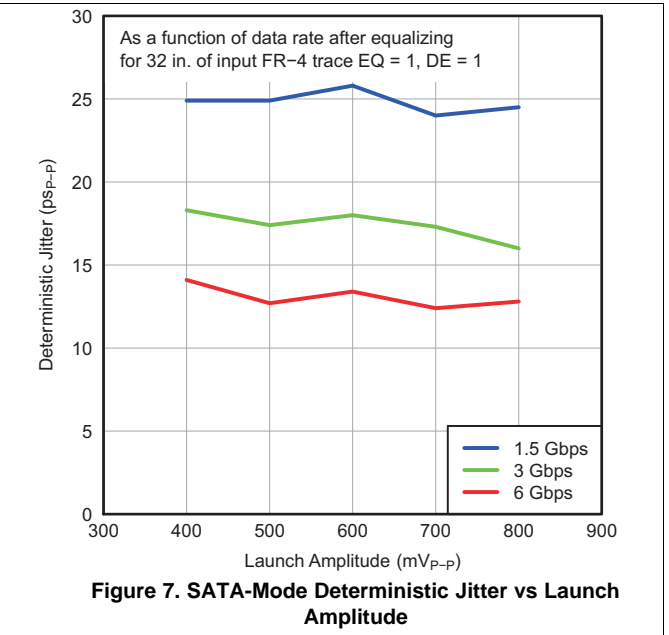
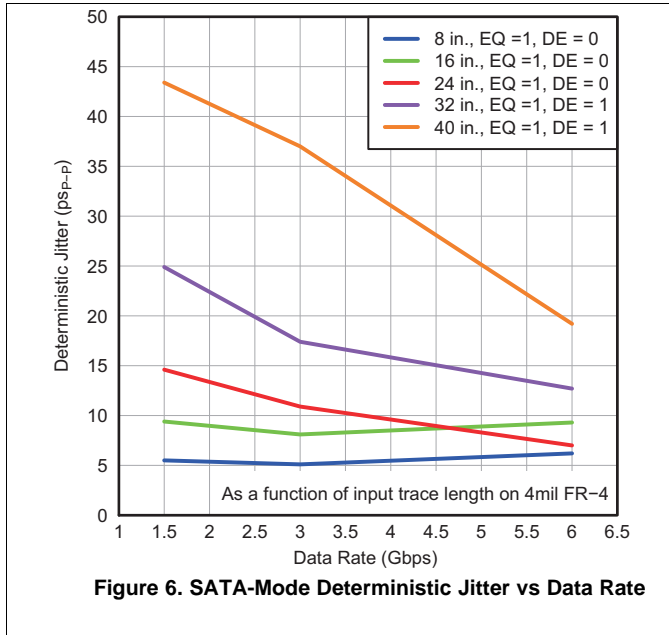
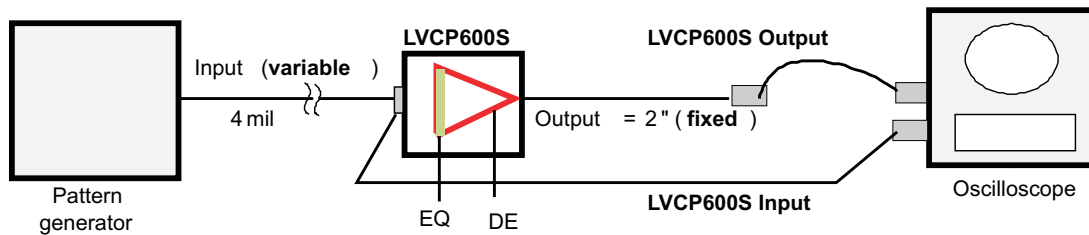


Figure 5. Auto Low-Power Mode Entry and Exit Timing

### 6.7 Typical Characteristics



## 7 Parameter Measurement Information



- A.  $V_{CC} = 3.3\text{ V}$ ; INPUT = K28.5 pattern at 1.5 Gbps, 3 Gbps, and 6 Gbps;  $V_{ID} = 1000\text{ mVpp}$ ; TEMP = 25°C; TRACE WIDTH = 4 mil (0.1 mm)

**Figure 10. Eye Diagram Measurement Setup for LVCP600S**

## 8 Detailed Description

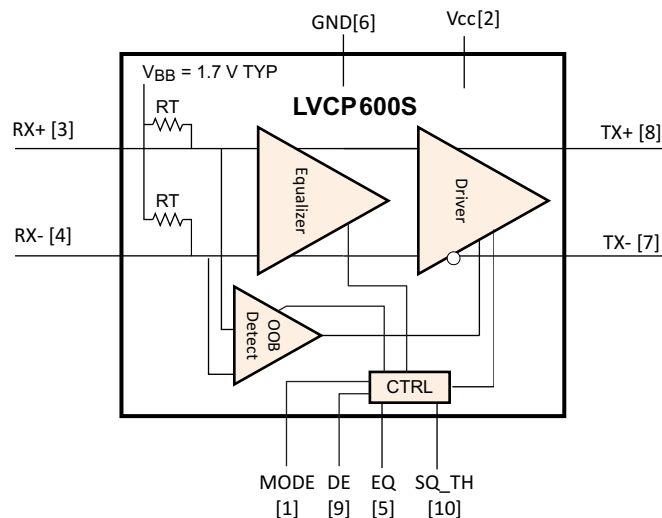
### 8.1 Overview

The SN75LVCP600S is a single-channel SATA/SAS signal conditioner supporting data rates up to 6 Gbps with an extended temperature range from  $-40^{\circ}\text{C}$  to  $85^{\circ}\text{C}$ . The device complies with SATA physical spec rev 3.0 and SAS electrical spec 2.0. The SN75LVCP600S operates from a single 3.3-V supply and has 100- $\Omega$  line termination with a self-biasing feature, making the device suitable for AC coupling. The inputs incorporate an out-of-band (OOB) detector, which automatically squelches the output while maintaining a stable common-mode voltage compliant to the SATA/SAS link.

The SN75LVCP600S handles interconnect losses at its input with selectable equalization settings that can be programmed to the match loss in the channel. For data rates of 3 Gbps and lower, the LVCP600S equalizes signals for a span of up to 50 inches of FR4 board material. For data rates of 6 Gbps, the device compensates >40 inches (1 m) of FR4 material. Rx/Tx equalization level is controlled by the setting of signal control pins EQ and DE.

The device is hot-plug capable, preventing device damage during device hot-insertion such as async signal plug/removal, unpowered plug/removal, powered plug/removal, or surprise plug/removal.

### 8.2 Functional Block Diagram



Copyright © 2016, Texas Instruments Incorporated

## 8.3 Feature Description

### 8.3.1 Input Equalization

The SN75LVCP600S supports programmable equalization in its front stage; the equalization settings are shown in Table 1. The input equalizer is designed to recover a signal even when no eye is present at the receiver and effectively supports FR4 trace at the input anywhere from 4 inches (0.1 m) to 40 (1 m) at SATA 6-Gbps speed. In SAS mode, the device meets compliance point IR in a TX/RX connection.

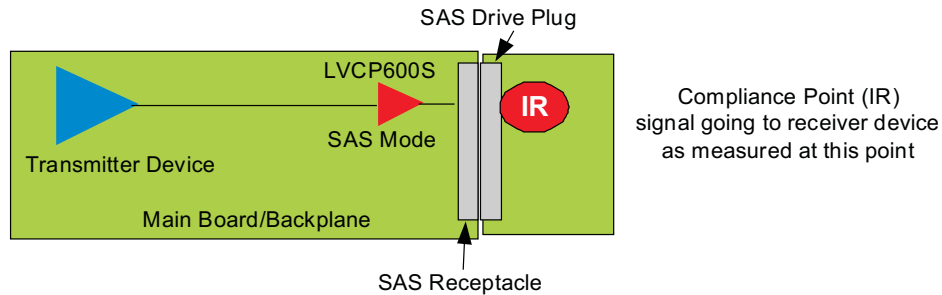


Figure 11. Compliance Point In SAS Mode

### 8.3.2 Auto Low-Power (ALP) Mode (see Figure 5)

As a redriver, the SN75LVCP600S does not participate in SATA or SAS link power management (PM) states. However, the redriver tracks link-power management mode (partial and slumber) by relying on the link differential voltage,  $V_{IDp-p}$ . The SATA/SAS link is continuously sending and receiving data even in long periods of disk inactivity by sending SYNC primitives (logical idle), except when the link enters partial or slumber mode. In these modes, the link is in an electrical-idle state (EID). The device input squelch detector tracks EID status. When the input signal is in the electrical idle state, that is,  $V_{IDp-p} < V_{OOB\_SATA}/V_{OOB\_SAS}$  and stays in this state for  $> 10 \mu\text{s}$ , the device automatically enters the low power state. In this state, the output is driven to  $V_{CM}$  and the device selectively shuts off internal circuitry to lower power consumption by approximately 90% of its normal operating power. While in ALP mode, the device continues to monitor input signal levels actively; when the input signal exceeds the SATA/SAS OOB upper threshold level, the device reverts to the active state. Exit time from auto low-power mode is  $< 50 \text{ ns}$  (maximum).

### 8.3.3 Out-Of-Band (OOB) Support

The squelch detector circuit within the device enables full detection of OOB signaling as specified in the SATA and SAS specifications. Selection of squelch threshold level is made automatically based on the state of MODE pin, SATA or SAS. Squelch circuit ON/OFF time is 8 ns maximum. While in squelch mode, outputs are held to  $V_{CM}$ .

### 8.4 Device Functional Modes

Table 1. EQ and DE Settings

LEVEL	CONTROL PINS			
	EQ (TYP) dB at 6 Gbps	DE (TYP) dB at 6 Gbps	SQ_TH (SEE V <sub>OOB</sub> SPEC)	MODE
0 (default)	7	0	Full level (normal)	SATA
1	14	-1.3	Reduced level (long channel)	SAS

Trace lengths are suggested values based on TI spice simulations (done over programmable limits of input EQ) to meet SATA/SAS loss and jitter spec.

Actual trace length supported by the LVCP600S may be more or less than suggested values and depends on board layout, trace widths, and number of connectors used in the high-speed signal path. See the [Application Curves](#) for more placement guidance

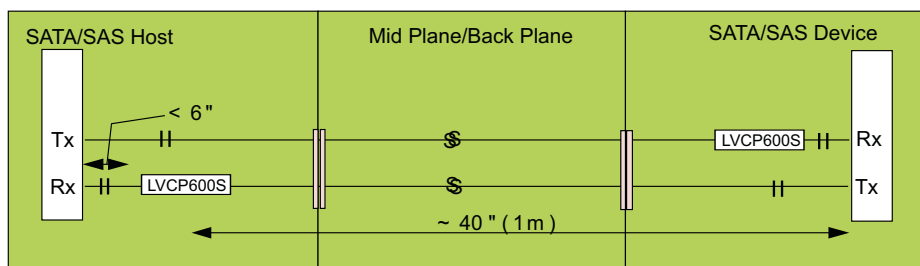


Figure 12. Trace Length Example

## 9 Application and Implementation

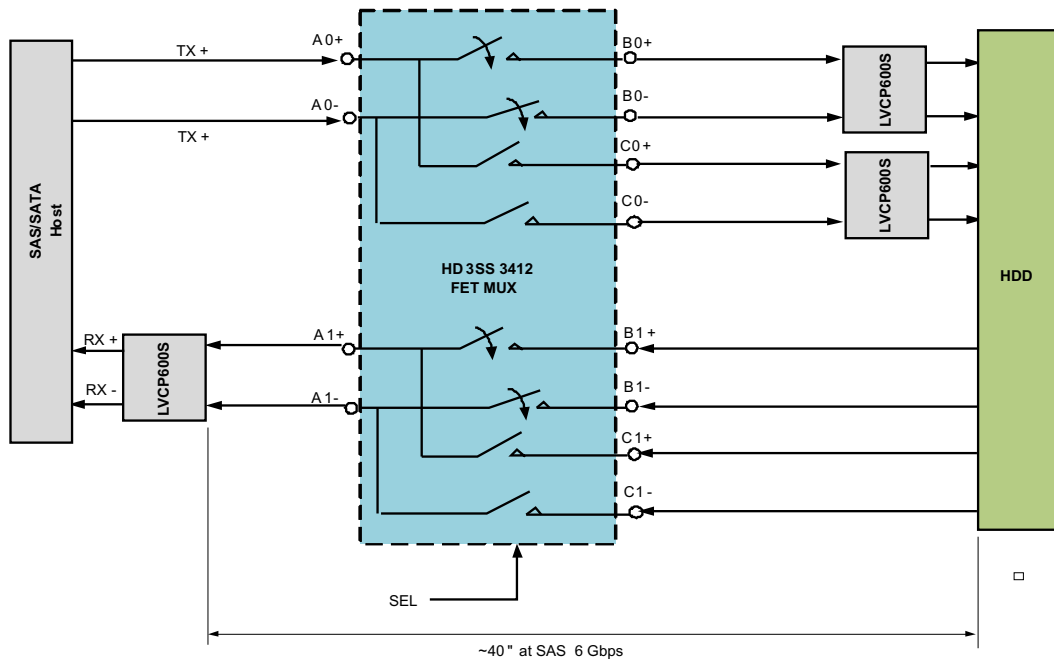
### NOTE

Information in the following applications sections is not part of the TI component specification, and TI does not warrant its accuracy or completeness. TI's customers are responsible for determining suitability of components for their purposes. Customers should validate and test their design implementation to confirm system functionality.

### 9.1 Application Information

The SN75LVCP600S is a single-channel SATA/SAS redriver and signal conditioner supporting data rates up to 6 Gbps. The inputs incorporate an OOB (out-of-band) detector, which automatically squelches the output while maintaining a stable common-mode voltage compliant to the SATA/SAS link. This device is designed for applications where an extended temperature range is required.

### 9.2 Typical Application



Copyright © 2016, Texas Instruments Incorporated

Figure 13. Typical Application

#### 9.2.1 Design Requirements

For this design example, use the values shown in [Table 2](#).

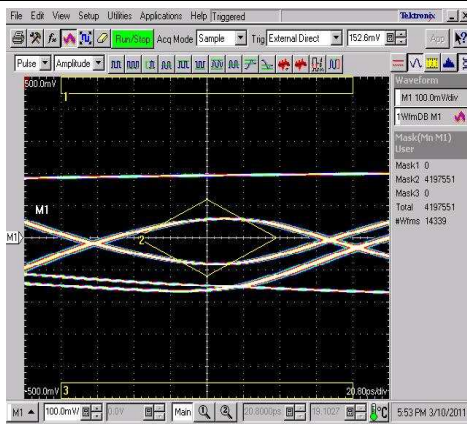
Table 2. Design Parameters

PARAMETER	VALUE
$V_{CC}$	3.3 V
$I_{CC}$	32 mA
Input voltage	275 mVpp to 1.6 Vpp
Output voltage	385 mVpp to 1.3 Vpp

**9.2.2 Detailed Design Procedure**

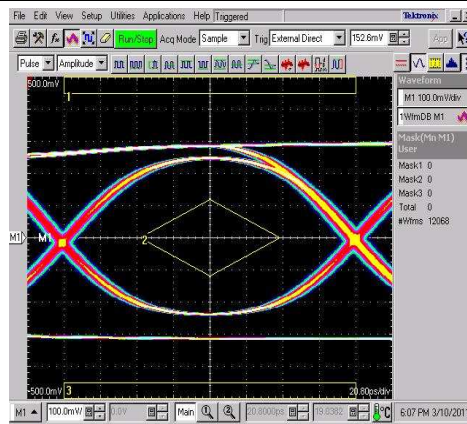
- Determine the loss profile between Host and HDD.
- Based upon loss profile and signal swing, determine the optimal equalization setting EQ pin.
- Select appropriate de-emphasis with DE control pin.
- Depending on loss profile, select squelch threshold using SQ\_TH.
- For low level, use 47-kΩ pulldown. For high level, tie pin to V<sub>CC</sub>.

**9.2.3 Application Curves**



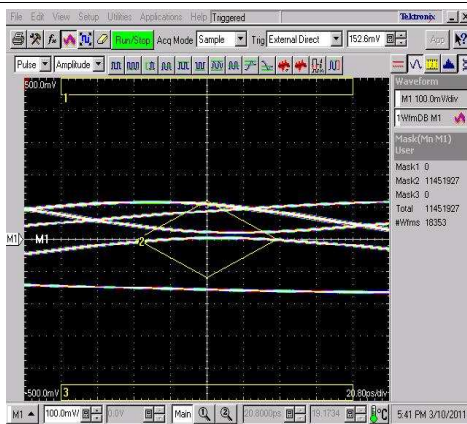
MODE = 0

**Figure 14. SATA 6-Gbps Signal After 16 inches (41 cm), Input of LVCP600S**



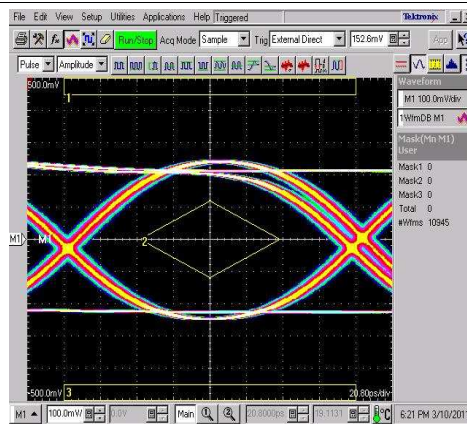
MODE = 0

**Figure 15. SATA 6-Gbps, DE = 0, EQ = 1, at Output = 2 Inches (5.1 cm) After Equalizing**



MODE = 0

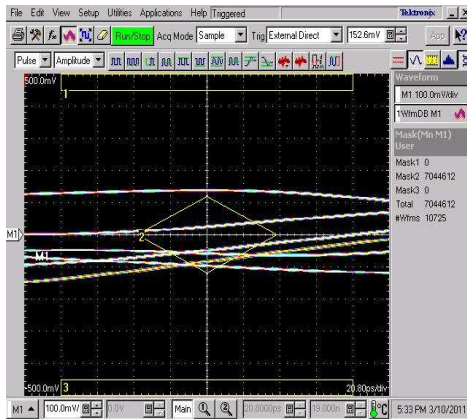
**Figure 16. SATA 6-Gbps Signal After 32 Inches (81 cm) at Input of LVCP600S**



MODE = 0

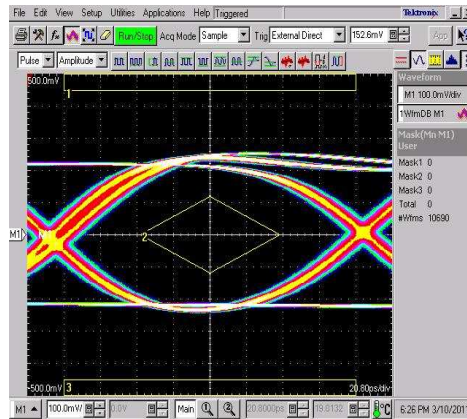
**Figure 17. SATA 6 Gbps, DE = 0, EQ = 1, at Output = 2 Inches (5.1 cm) After Equalizing**





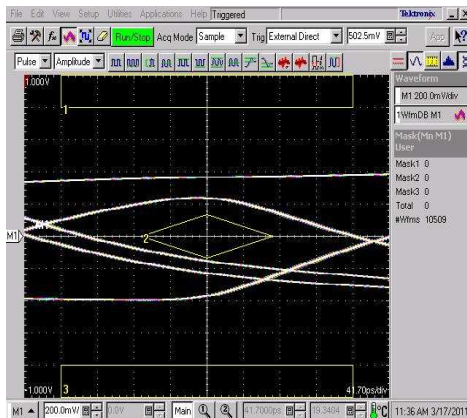
MODE = 0

Figure 18. SATA 6-Gbps Signal After 40 Inches (1 m) at Input of LVCP600S



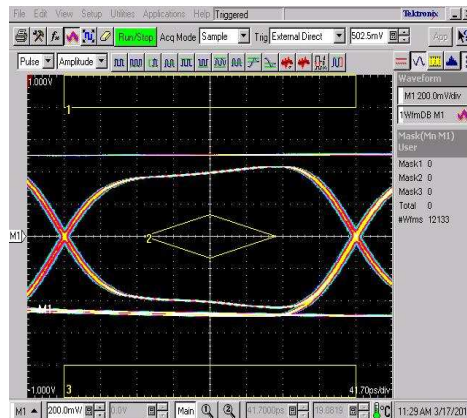
MODE = 0

Figure 19. SATA 6 Gbps, DE = 1, EQ = 1, at Output = 2 Inches (5.1 cm) After Equalizing



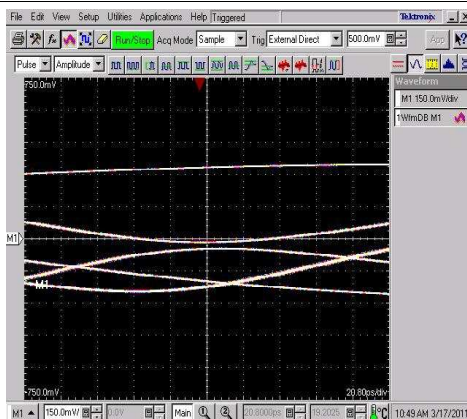
MODE = 1

Figure 20. SAS 3-Gbps Signal After 32 Inches (81 cm) at Input of LVCP600S



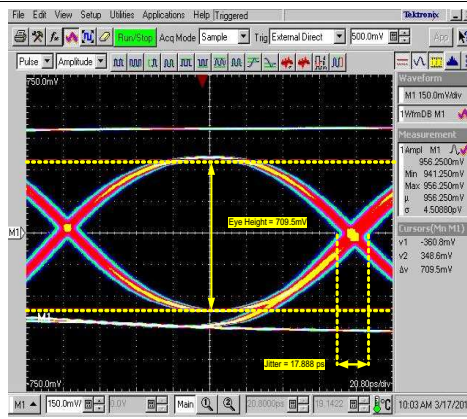
MODE = 1

Figure 21. SAS 3 Gbps, DE = 0, EQ = 1, at Output = 2 Inches (5.1 cm) After Equalizing



MODE = 1

Figure 22. SAS 6-Gbps Signal after 32 Inches (81 cm) at Input of LVCP600S



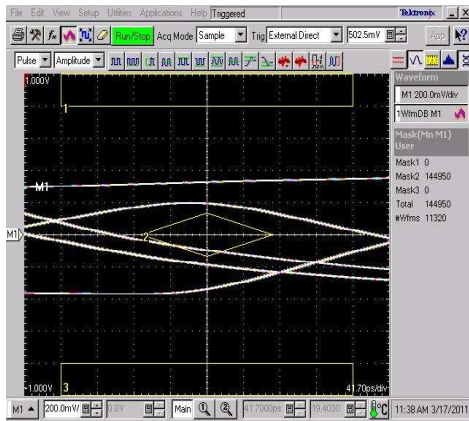
MODE = 1

Figure 23. SAS 6 Gbps, DE = 0, EQ = 1, at Output = 2 Inches) After Equalizing

SN75LVCP600S

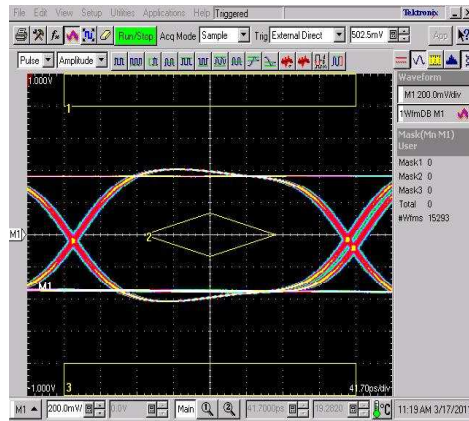
SLLSE81A –MARCH 2011–REVISED MARCH 2016

www.ti.com



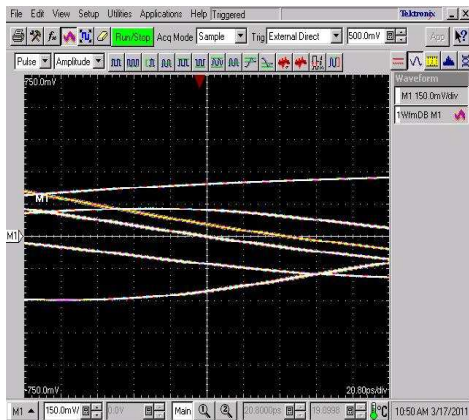
MODE = 1

Figure 24. SAS 3-Gbps Signal After 40 Inches (1 m) at Input of LVCP600S



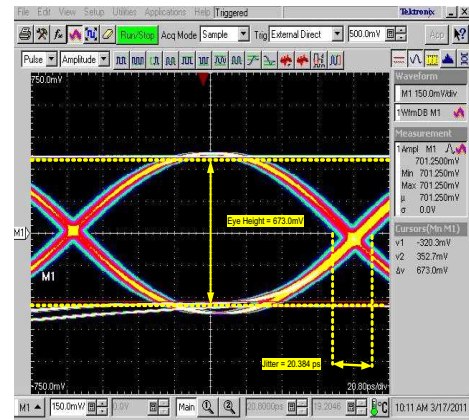
MODE = 1

Figure 25. SAS 3 Gbps, DE = 1, EQ = 1, at Output = 2 Inches (5.1 cm) After Equalizing



MODE = 1

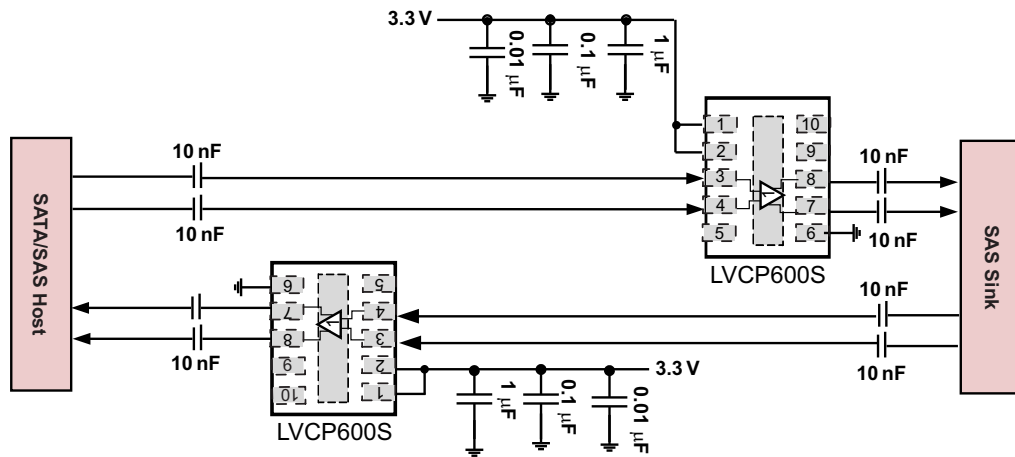
Figure 26. SAS 6-Gbps Signal After 40 Inches (1 m) at Input of LVCP600S



MODE = 1

Figure 27. SAS 6 Gbps, DE = 1, EQ = 1, at Output = 2 Inches (5.1 cm) after Equalizing

### 9.3 System Examples



Copyright © 2016, Texas Instruments Incorporated

- A. Place supply capacitors close to device pin
- B. EQ selection is set at 7 db, device is set in SAS mode, DE and SQ\_TH at default settings
- C. Actual EQ settings depend on device placement relative to host and SATA/SAS device.

**Figure 28. Typical Device Implementation**

## 10 Power Supply Recommendations

The SN75LVCP600S is designed to operate from a single 3.3-V supply. Always practice the proper power supply sequencing procedure. Apply  $V_{CC}$  *first* before any input signals are applied to the device. The power-down sequence is in reverse order.

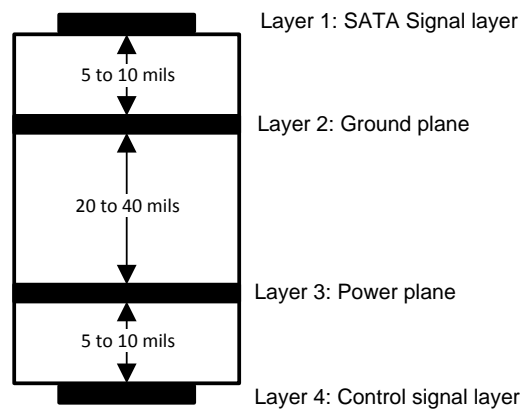
To minimize the power supply noise floor, provide good decoupling near the SN75LVCP600S power pin. TI recommends placing one 0.01- $\mu$ F on the power pin. The distance between the SN75LVCP600S and capacitors must be minimized to reduce loop inductance and provide optimal noise filtering. Placing the capacitor underneath the SN75LVCP600S on the bottom of the PCB is often a good choice.

## 11 Layout

### 11.1 Layout Guidelines

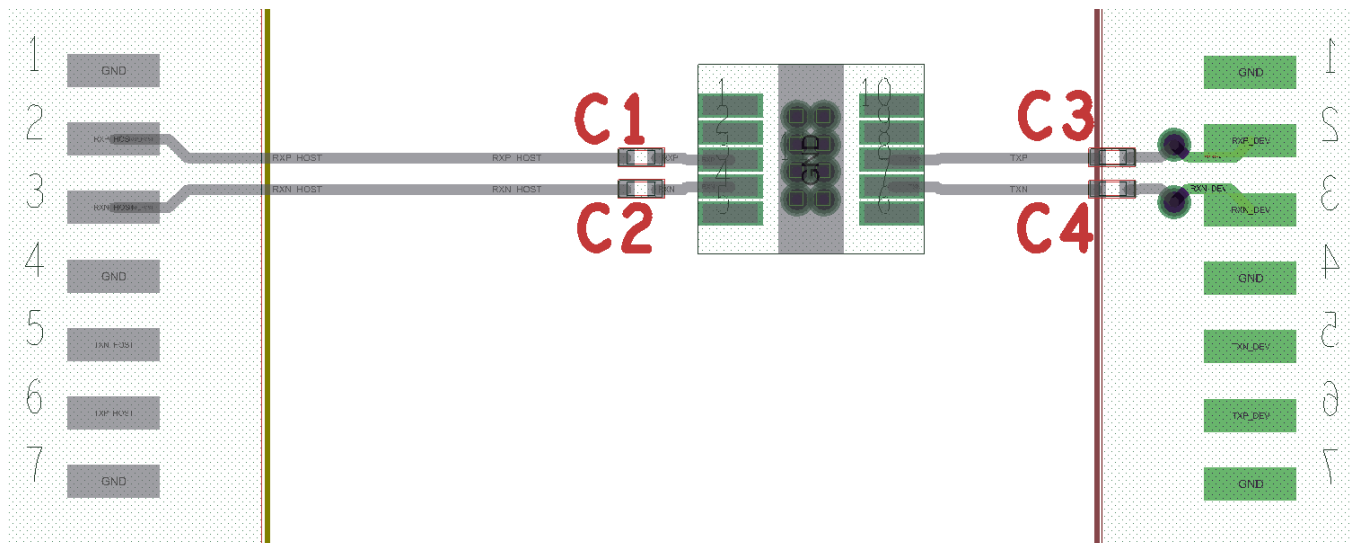
TI recommends to use at a minimum a four-layer stack-up to accomplish a low-EMI PCB design.

- It is important to match the electrical length of these high-speed traces to minimize both inter-pair and intra-pair skew.
- Placing a solid ground plane next to the high-speed signal layer establishes controlled impedance for transmission line interconnects and provides an excellent low-inductance path for the return current flow.
- Placing the power plane next to the ground plane creates additional high-frequency bypass capacitance.
- Routing the slower speed control signals on the bottom layer allows for greater flexibility as these signal links usually have margin to tolerate discontinuities such as vias.
- If an additional supply voltage plane or signal layer is needed, add a second power / ground plane system to the stack to keep it symmetrical. This makes the stack mechanically stable and prevents it from warping. Also the power and ground plane of each power system can be placed closer together, thus increasing the high-frequency bypass capacitance significantly.



**Figure 29. PCB Stack**

### 11.2 Layout Example



**Figure 30. Example Layout**

## 12 Device and Documentation Support

### 12.1 Community Resources

The following links connect to TI community resources. Linked contents are provided "AS IS" by the respective contributors. They do not constitute TI specifications and do not necessarily reflect TI's views; see TI's [Terms of Use](#).

**TI E2E™ Online Community** *TI's Engineer-to-Engineer (E2E) Community*. Created to foster collaboration among engineers. At [e2e.ti.com](http://e2e.ti.com), you can ask questions, share knowledge, explore ideas and help solve problems with fellow engineers.

**Design Support** *TI's Design Support* Quickly find helpful E2E forums along with design support tools and contact information for technical support.

### 12.2 Trademarks

E2E is a trademark of Texas Instruments.  
All other trademarks are the property of their respective owners.

### 12.3 Electrostatic Discharge Caution



These devices have limited built-in ESD protection. The leads should be shorted together or the device placed in conductive foam during storage or handling to prevent electrostatic damage to the MOS gates.

### 12.4 Glossary

[SLYZ022](#) — *TI Glossary*.

This glossary lists and explains terms, acronyms, and definitions.

## 13 Mechanical, Packaging, and Orderable Information

The following pages include mechanical, packaging, and orderable information. This information is the most current data available for the designated devices. This data is subject to change without notice and revision of this document. For browser-based versions of this data sheet, refer to the left-hand navigation.

**PACKAGING INFORMATION**

Orderable Device	Status (1)	Package Type	Package Drawing	Pins	Package Qty	Eco Plan (2)	Lead/Ball Finish	MSL Peak Temp (3)	Op Temp (°C)	Top-Side Markings (4)	Samples
SN75LVCP600SDSKR	ACTIVE	SON	DSK	10	3000	Green (RoHS & no Sb/Br)	CU NIPDAU	Level-2-260C-1 YEAR	-40 to 85	600S	<a href="#">Samples</a>
SN75LVCP600SDSKT	ACTIVE	SON	DSK	10	250	Green (RoHS & no Sb/Br)	CU NIPDAU	Level-2-260C-1 YEAR	-40 to 85	600S	<a href="#">Samples</a>

(1) The marketing status values are defined as follows:

**ACTIVE:** Product device recommended for new designs.

**LIFEBUY:** TI has announced that the device will be discontinued, and a lifetime-buy period is in effect.

**NRND:** Not recommended for new designs. Device is in production to support existing customers, but TI does not recommend using this part in a new design.

**PREVIEW:** Device has been announced but is not in production. Samples may or may not be available.

**OBSOLETE:** TI has discontinued the production of the device.

(2) Eco Plan - The planned eco-friendly classification: Pb-Free (RoHS), Pb-Free (RoHS Exempt), or Green (RoHS & no Sb/Br) - please check <http://www.ti.com/productcontent> for the latest availability information and additional product content details.

**TBD:** The Pb-Free/Green conversion plan has not been defined.

**Pb-Free (RoHS):** TI's terms "Lead-Free" or "Pb-Free" mean semiconductor products that are compatible with the current RoHS requirements for all 6 substances, including the requirement that lead not exceed 0.1% by weight in homogeneous materials. Where designed to be soldered at high temperatures, TI Pb-Free products are suitable for use in specified lead-free processes.

**Pb-Free (RoHS Exempt):** This component has a RoHS exemption for either 1) lead-based flip-chip solder bumps used between the die and package, or 2) lead-based die adhesive used between the die and leadframe. The component is otherwise considered Pb-Free (RoHS compatible) as defined above.

**Green (RoHS & no Sb/Br):** TI defines "Green" to mean Pb-Free (RoHS compatible), and free of Bromine (Br) and Antimony (Sb) based flame retardants (Br or Sb do not exceed 0.1% by weight in homogeneous material)

(3) MSL, Peak Temp. -- The Moisture Sensitivity Level rating according to the JEDEC industry standard classifications, and peak solder temperature.

(4) Multiple Top-Side Markings will be inside parentheses. Only one Top-Side Marking contained in parentheses and separated by a "~" will appear on a device. If a line is indented then it is a continuation of the previous line and the two combined represent the entire Top-Side Marking for that device.

**Important Information and Disclaimer:** The information provided on this page represents TI's knowledge and belief as of the date that it is provided. TI bases its knowledge and belief on information provided by third parties, and makes no representation or warranty as to the accuracy of such information. Efforts are underway to better integrate information from third parties. TI has taken and continues to take reasonable steps to provide representative and accurate information but may not have conducted destructive testing or chemical analysis on incoming materials and chemicals. TI and TI suppliers consider certain information to be proprietary, and thus CAS numbers and other limited information may not be available for release.

In no event shall TI's liability arising out of such information exceed the total purchase price of the TI part(s) at issue in this document sold by TI to Customer on an annual basis.

**TAPE AND REEL INFORMATION**

**REEL DIMENSIONS**



**TAPE DIMENSIONS**



A0	Dimension designed to accommodate the component width
B0	Dimension designed to accommodate the component length
K0	Dimension designed to accommodate the component thickness
W	Overall width of the carrier tape
P1	Pitch between successive cavity centers

**TAPE AND REEL INFORMATION**

\*All dimensions are nominal

Device	Package Type	Package Drawing	Pins	SPQ	Reel Diameter (mm)	Reel Width W1 (mm)	A0 (mm)	B0 (mm)	K0 (mm)	P1 (mm)	W (mm)	Pin1 Quadrant
SN75LVCP600SDSKR	SON	DSK	10	3000	180.0	8.4	2.8	2.8	1.0	4.0	8.0	Q2
SN75LVCP600SDSKT	SON	DSK	10	250	180.0	8.4	2.8	2.8	1.0	4.0	8.0	Q2

**TAPE AND REEL BOX DIMENSIONS**

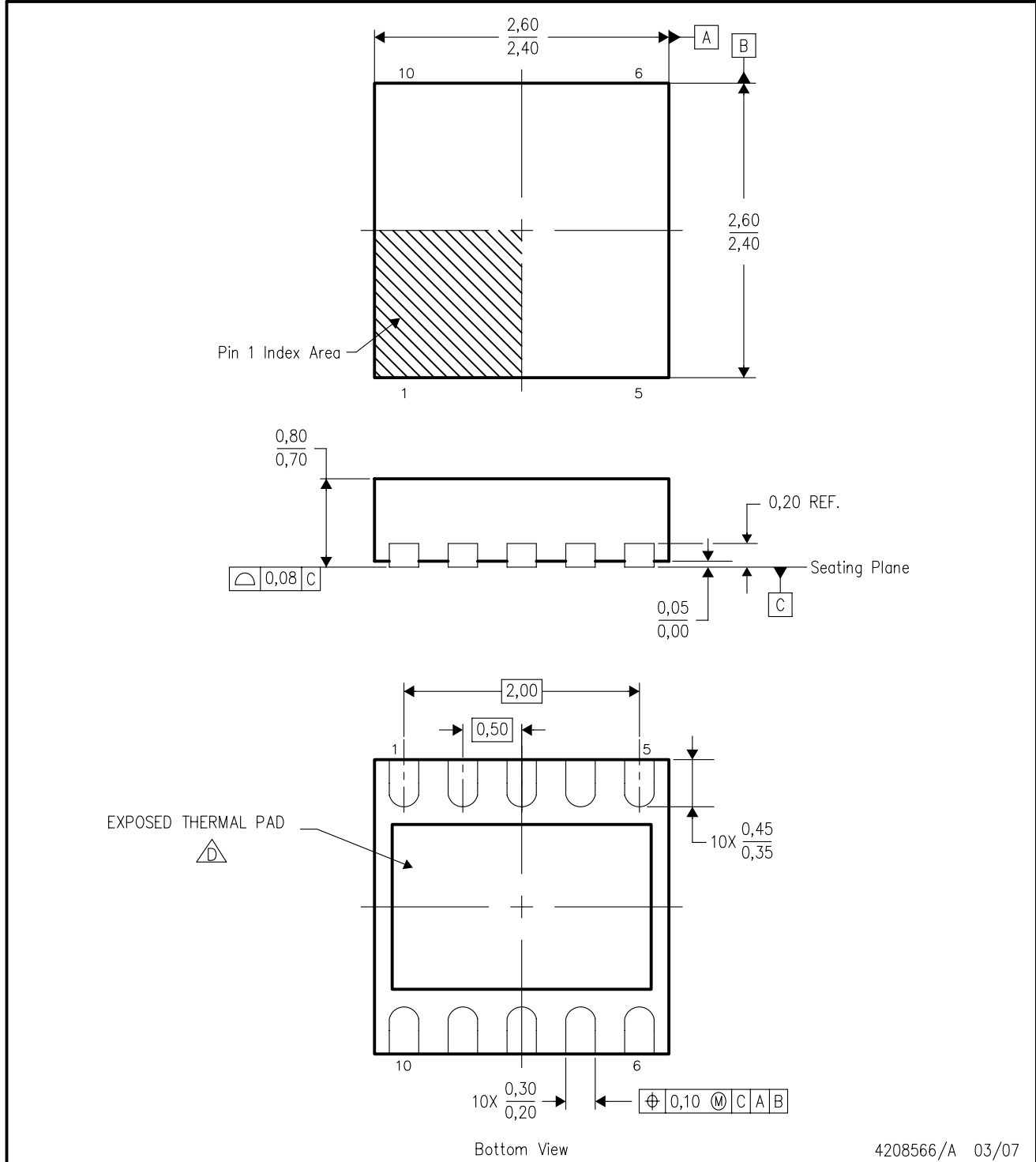

\*All dimensions are nominal

Device	Package Type	Package Drawing	Pins	SPQ	Length (mm)	Width (mm)	Height (mm)
SN75LVCP600SDSKR	SON	DSK	10	3000	210.0	185.0	35.0
SN75LVCP600SDSKT	SON	DSK	10	250	210.0	185.0	35.0




DSK (S-PDSO-N10)

PLASTIC QUAD FLATPACK



4208566/A 03/07

- NOTES:
- A. All linear dimensions are in millimeters. Dimensioning and tolerancing per ASME Y14.5M-1994.
  - B. This drawing is subject to change without notice.
  - C. Small Outline No-Lead (SON) package configuration.
  -  The package thermal pad must be soldered to the board for thermal and mechanical performance. See the Product Data Sheet for details regarding the exposed thermal pad dimensions.

## THERMAL PAD MECHANICAL DATA

DSK (R-PWSON-N10)

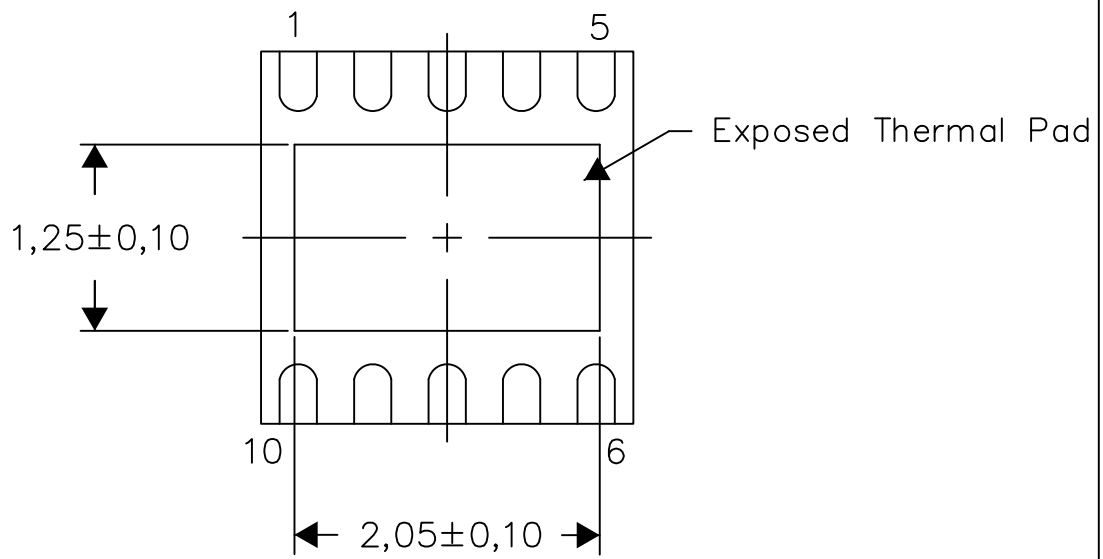
PLASTIC SMALL OUTLINE NO-LEAD

### THERMAL INFORMATION

This package incorporates an exposed thermal pad that is designed to be attached directly to an external heatsink. The thermal pad must be soldered directly to the printed circuit board (PCB). After soldering, the PCB can be used as a heatsink. In addition, through the use of thermal vias, the thermal pad can be attached directly to the appropriate copper plane shown in the electrical schematic for the device, or alternatively, can be attached to a special heatsink structure designed into the PCB. This design optimizes the heat transfer from the integrated circuit (IC).

For information on the Quad Flatpack No-Lead (QFN) package and its advantages, refer to Application Report, QFN/SON PCB Attachment, Texas Instruments Literature No. SLUA271. This document is available at [www.ti.com](http://www.ti.com).

The exposed thermal pad dimensions for this package are shown in the following illustration.



Bottom View

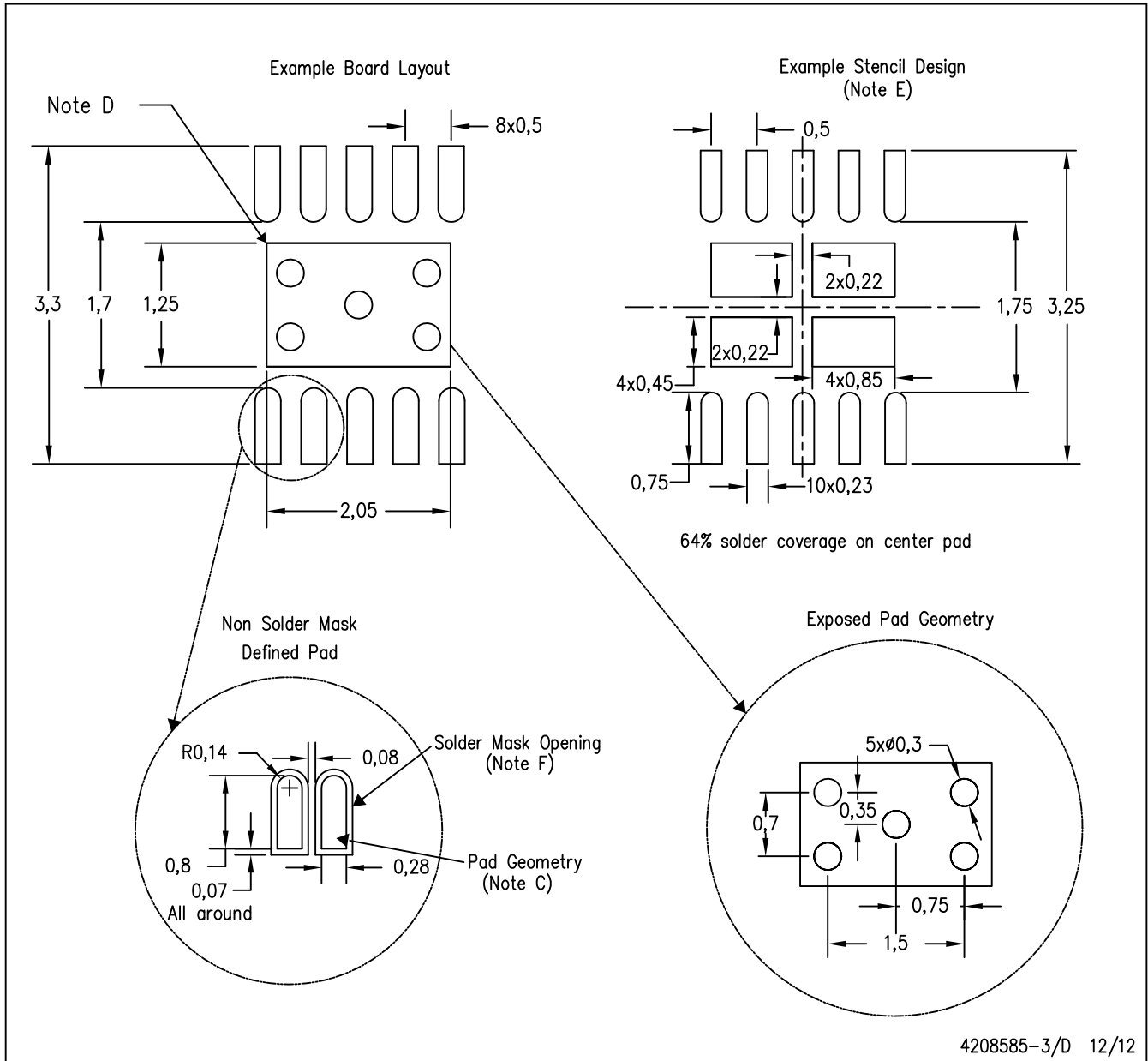
Exposed Thermal Pad Dimensions

4208579-3/E 12/12

NOTE: All linear dimensions are in millimeters

DSK (R-PWSON-N10)

PLASTIC SMALL OUTLINE NO-LEAD



- NOTES:
- A. All linear dimensions are in millimeters.
  - B. This drawing is subject to change without notice.
  - C. Publication IPC-SM-782 is recommended for alternate designs.
  - D. This package is designed to be soldered to a thermal pad on the board. Refer to Application Note, Quad Flat-Pack Packages, Texas Instruments Literature No. SLUA271, and also the Product Data Sheets for specific thermal information, via requirements, and recommended board layout. These documents are available at [www.ti.com](http://www.ti.com) <<http://www.ti.com>>.
  - E. Laser cutting apertures with trapezoidal walls and also rounding corners will offer better paste release. Customers should contact their board assembly site for stencil design recommendations. Refer to IPC 7525 for stencil design considerations.
  - F. Customers should contact their board fabrication site for minimum solder mask web tolerances between signal pads.

## IMPORTANT NOTICE

Texas Instruments Incorporated and its subsidiaries (TI) reserve the right to make corrections, enhancements, improvements and other changes to its semiconductor products and services per JESD46, latest issue, and to discontinue any product or service per JESD48, latest issue. Buyers should obtain the latest relevant information before placing orders and should verify that such information is current and complete. All semiconductor products (also referred to herein as "components") are sold subject to TI's terms and conditions of sale supplied at the time of order acknowledgment.

TI warrants performance of its components to the specifications applicable at the time of sale, in accordance with the warranty in TI's terms and conditions of sale of semiconductor products. Testing and other quality control techniques are used to the extent TI deems necessary to support this warranty. Except where mandated by applicable law, testing of all parameters of each component is not necessarily performed.

TI assumes no liability for applications assistance or the design of Buyers' products. Buyers are responsible for their products and applications using TI components. To minimize the risks associated with Buyers' products and applications, Buyers should provide adequate design and operating safeguards.

TI does not warrant or represent that any license, either express or implied, is granted under any patent right, copyright, mask work right, or other intellectual property right relating to any combination, machine, or process in which TI components or services are used. Information published by TI regarding third-party products or services does not constitute a license to use such products or services or a warranty or endorsement thereof. Use of such information may require a license from a third party under the patents or other intellectual property of the third party, or a license from TI under the patents or other intellectual property of TI.

Reproduction of significant portions of TI information in TI data books or data sheets is permissible only if reproduction is without alteration and is accompanied by all associated warranties, conditions, limitations, and notices. TI is not responsible or liable for such altered documentation. Information of third parties may be subject to additional restrictions.

Resale of TI components or services with statements different from or beyond the parameters stated by TI for that component or service voids all express and any implied warranties for the associated TI component or service and is an unfair and deceptive business practice. TI is not responsible or liable for any such statements.

Buyer acknowledges and agrees that it is solely responsible for compliance with all legal, regulatory and safety-related requirements concerning its products, and any use of TI components in its applications, notwithstanding any applications-related information or support that may be provided by TI. Buyer represents and agrees that it has all the necessary expertise to create and implement safeguards which anticipate dangerous consequences of failures, monitor failures and their consequences, lessen the likelihood of failures that might cause harm and take appropriate remedial actions. Buyer will fully indemnify TI and its representatives against any damages arising out of the use of any TI components in safety-critical applications.

In some cases, TI components may be promoted specifically to facilitate safety-related applications. With such components, TI's goal is to help enable customers to design and create their own end-product solutions that meet applicable functional safety standards and requirements. Nonetheless, such components are subject to these terms.

No TI components are authorized for use in FDA Class III (or similar life-critical medical equipment) unless authorized officers of the parties have executed a special agreement specifically governing such use.

Only those TI components which TI has specifically designated as military grade or "enhanced plastic" are designed and intended for use in military/aerospace applications or environments. Buyer acknowledges and agrees that any military or aerospace use of TI components which have **not** been so designated is solely at the Buyer's risk, and that Buyer is solely responsible for compliance with all legal and regulatory requirements in connection with such use.

TI has specifically designated certain components as meeting ISO/TS16949 requirements, mainly for automotive use. In any case of use of non-designated products, TI will not be responsible for any failure to meet ISO/TS16949.

### Products

Audio	<a href="http://www.ti.com/audio">www.ti.com/audio</a>
Amplifiers	<a href="http://amplifier.ti.com">amplifier.ti.com</a>
Data Converters	<a href="http://dataconverter.ti.com">dataconverter.ti.com</a>
DLP® Products	<a href="http://www.dlp.com">www.dlp.com</a>
DSP	<a href="http://dsp.ti.com">dsp.ti.com</a>
Clocks and Timers	<a href="http://www.ti.com/clocks">www.ti.com/clocks</a>
Interface	<a href="http://interface.ti.com">interface.ti.com</a>
Logic	<a href="http://logic.ti.com">logic.ti.com</a>
Power Mgmt	<a href="http://power.ti.com">power.ti.com</a>
Microcontrollers	<a href="http://microcontroller.ti.com">microcontroller.ti.com</a>
RFID	<a href="http://www.ti-rfid.com">www.ti-rfid.com</a>
OMAP Applications Processors	<a href="http://www.ti.com/omap">www.ti.com/omap</a>
Wireless Connectivity	<a href="http://www.ti.com/wirelessconnectivity">www.ti.com/wirelessconnectivity</a>

### Applications

Automotive and Transportation	<a href="http://www.ti.com/automotive">www.ti.com/automotive</a>
Communications and Telecom	<a href="http://www.ti.com/communications">www.ti.com/communications</a>
Computers and Peripherals	<a href="http://www.ti.com/computers">www.ti.com/computers</a>
Consumer Electronics	<a href="http://www.ti.com/consumer-apps">www.ti.com/consumer-apps</a>
Energy and Lighting	<a href="http://www.ti.com/energy">www.ti.com/energy</a>
Industrial	<a href="http://www.ti.com/industrial">www.ti.com/industrial</a>
Medical	<a href="http://www.ti.com/medical">www.ti.com/medical</a>
Security	<a href="http://www.ti.com/security">www.ti.com/security</a>
Space, Avionics and Defense	<a href="http://www.ti.com/space-avionics-defense">www.ti.com/space-avionics-defense</a>
Video and Imaging	<a href="http://www.ti.com/video">www.ti.com/video</a>

### TI E2E Community

[e2e.ti.com](http://e2e.ti.com)