

TLV1117 Adjustable and Fixed Low-Dropout Voltage Regulator

1 Features

- 1.5-V, 1.8-V, 2.5-V, 3.3-V, 5-V, and Adjustable-Output Voltage Options
- Output Current of 800 mA
- Specified Dropout Voltage at Multiple Current Levels
- 0.2% Line Regulation Maximum
- 0.4% Load Regulation Maximum

2 Applications

- Electronic Points of Sale
- Medical, Health, and Fitness Applications
- Printers
- Appliances and White Goods
- TV Set-Top Boxes

3 Description

The TLV1117 device is a positive low-dropout voltage regulator designed to provide up to 800 mA of output current. The device is available in 1.5-V, 1.8-V, 2.5-V, 3.3-V, 5-V, and adjustable-output voltage options. All internal circuitry is designed to operate down to 1-V input-to-output differential. Dropout voltage is specified at a maximum of 1.3 V at 800 mA, decreasing at lower load currents.

Device Information

| ORDER NUMBER | PACKAGE (PIN) | BODY SIZE |
|--------------|----------------------|--------------------|
| TLV1117DCY | SOT-223 (4) | 6.50 mm x 3.50 mm |
| TLV1117DRJ | SON (8) | 4.00 mm x 4.00 mm |
| TLV1117KVU | TO-252 (3) | 6.60 mm x 6.10 mm |
| TLV1117KCS | TO-220 (3) | 10.16 mm x 8.70 mm |
| TLV1117KCT | TO-220 (3) | 10.16 mm x 8.59 mm |
| TLV1117KTT | DDPAK, TO-263 (3) | 10.18 mm x 8.41 mm |

4 Simplified Schematic

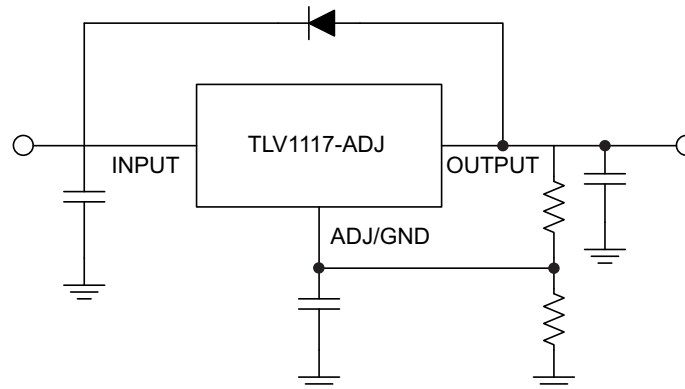


Table of Contents

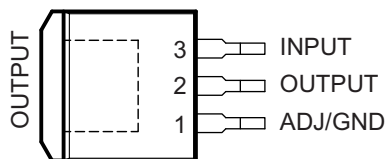
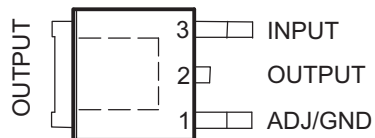
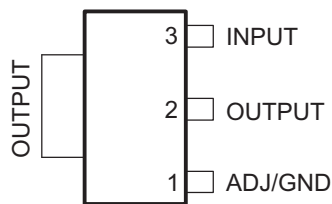
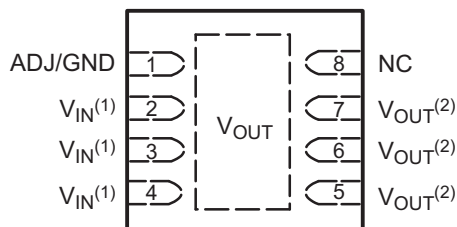
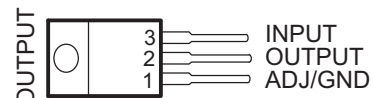
| | |
|---|--|
| 1 Features 1 2 Applications 1 3 Description 1 4 Simplified Schematic 1 5 Revision History 2 6 Pin Configuration and Functions 3 7 Specifications 4 7.1 Absolute Maximum Ratings 4 7.2 Handling Ratings 4 7.3 Recommended Operating Conditions 4 7.4 Thermal Information 5 7.5 TLV1117C Electrical Characteristics 6 7.6 TLV1117I Electrical Characteristics 7 7.7 Typical Characteristics 8 8 Detailed Description 10 | 8.1 Overview 10 8.2 Functional Block Diagram 10 8.3 Feature Description 10 8.4 Device Functional Modes 10 9 Application and Implementation 12 9.1 Typical Application 12 10 Power Supply Recommendations 13 11 Layout 13 11.1 Layout Guidelines 13 11.2 Layout Example 13 12 Device and Documentation Support 14 12.1 Trademarks 14 12.2 Electrostatic Discharge Caution 14 12.3 Glossary 14 13 Mechanical, Packaging, and Orderable Information 14 |
|---|--|

| Changes from Revision K (April 2013) to Revision L | Page |
|---|-------------|
| • Updated data sheet to new TI standards – no specification changes. | 1 |
| • Deleted Ordering Information table. | 1 |
| • Added Applications. | 1 |
| • Added Device and Documentation Support section. | 14 |
| • Added Mechanical, Packaging, and Orderable Information section. | 14 |

5 Revision History

| Changes from Revision J (April 2013) to Revision K | Page |
|---|-------------|
| • Added additional package options. | 3 |
| • Added ESD warning. | 14 |

6 Pin Configuration and Functions

**KTT (TO-263) PACKAGE
(TOP VIEW)**

**KVU (TO-252) PACKAGE
(TOP VIEW)**

**DCY (SOT-223) PACKAGE
(TOP VIEW)**

**DRJ (QFN) PACKAGE
(TOP VIEW)**

**KCT, KCS (TO-220) PACKAGE
(TOP VIEW)**


(1) V_{IN} pins (2, 3, 4) must be connected together.
 (2) V_{OUT} pins (5, 6, 7) must be connected together.

Table 1. Pin Functions

| NAME | PIN | | | | | TYPE | DESCRIPTION |
|---------|-----|-----|-----|---------|-----|------|---|
| | KTT | KVU | DCY | DRJ | KCT | | |
| ADJ/GND | 1 | 1 | 1 | 1 | 1 | I/O | Output voltage adjustment pin. Connect to a resistor divider. |
| INPUT | 3 | 3 | 3 | 2, 3, 4 | 3 | I | Voltage input |
| OUTPUT | 2 | 2 | 2 | 5, 6, 7 | 2 | O | Voltage output |
| NC | - | - | - | 8 | - | - | No connect |

7 Specifications

7.1 Absolute Maximum Ratings⁽¹⁾

over operating free-air temperature range (unless otherwise noted)

| | | MIN | MAX | UNIT |
|----------|--|-----|-----|------|
| V_{IN} | Continuous input voltage | | 16 | V |
| T_J | Operating virtual-junction temperature | | 150 | °C |

- (1) Stresses beyond those listed under *Absolute Maximum Ratings* may cause permanent damage to the device. These are stress ratings only, and functional operation of the device at these or any other conditions beyond those indicated under *Recommended Operating Conditions* is not implied. Exposure to absolute-maximum-rated conditions for extended periods may affect device reliability.

7.2 Handling Ratings

| | | MIN | MAX | UNIT | |
|-------------|---------------------------|--|-----|------|---|
| T_{stg} | Storage temperature range | –65 | 150 | °C | |
| $V_{(ESD)}$ | Electrostatic discharge | Human body model (HBM), per ANSI/ESDA/JEDEC JS-001, all pins ⁽¹⁾ | 0 | 2500 | V |
| | | Charged device model (CDM), per JEDEC specification JESD22-C101, all pins ⁽²⁾ | 0 | 1500 | |

- (1) JEDEC document JEP155 states that 500-V HBM allows safe manufacturing with a standard ESD control process.
 (2) JEDEC document JEP157 states that 250-V CDM allows safe manufacturing with a standard ESD control process.

7.3 Recommended Operating Conditions

| | | MIN ⁽¹⁾ | MAX | UNIT | |
|----------|--|--------------------|-----|------|----|
| V_{IN} | Input voltage | TLV1117 | 2.7 | 15 | V |
| | | TLV1117-15 | 2.9 | 15 | |
| | | TLV1117-18 | 3.2 | 15 | |
| | | TLV1117-25 | 3.9 | 15 | |
| | | TLV1117-33 | 4.7 | 15 | |
| | | TLV1117-50 | 6.4 | 15 | |
| I_O | Output current | | 0.8 | A | |
| T_J | Operating virtual-junction temperature | TLV1117C | 0 | 125 | °C |
| | | TLV1117I | –40 | 125 | |

- (1) The input-to-output differential across the regulator should provide for some margin against regulator operation at the maximum dropout (for a particular current value). This margin is needed to account for tolerances in both the input voltage (lower limit) and the output voltage (upper limit). The absolute minimum V_{IN} for a desired maximum output current can be calculated by the following:

$$V_{IN(\min)} = V_{OUT(\max)} + V_{DO(\max \text{ at rated current})}$$

7.4 Thermal Information

| THERMAL METRIC ⁽¹⁾⁽²⁾⁽³⁾ | | TLV1117 | | | | | | | UNITS |
|-------------------------------------|--|-----------------|-----------------|-----------------|-----------------|-----------------|----------------------|-----------------|-------|
| | | PowerFlex | | DRJ (8 PINS) | DCY (4 PINS) | KVU (3 PINS) | KCS, KCT (3 PINS) | KTT (3 PINS) | |
| | | KTE (3 PINS) | KTP (3 PINS) | | | | | | |
| R _{θJA} | Junction-to-ambient thermal resistance | 38.6 | 49.2 | 38.3 | 104.3 | 50.9 | 30.1 | 27.5 | °C/W |
| R _{θJC(top)} | Junction-to-case (top) thermal resistance | 34.7 | 60.6 | 36.5 | 53.7 | 57.9 | 44.6 | 43.2 | |
| R _{θJB} | Junction-to-board thermal resistance | 3.2 | 3.1 | 60.5 | 5.7 | 34.8 | 1.2 | 17.3 | |
| ψ _{JT} | Junction-to-top characterization parameter | 5.9 | 8.7 | 0.2 | 3.1 | 6 | 5 | 2.8 | |
| ψ _{JB} | Junction-to-board characterization parameter | 3.1 | 3 | 12 | 5.5 | 23.7 | 1.2 | 9.3 | |
| R _{θJC(bot)} | Junction-to-case (bottom) thermal resistance | 3 | 3 | 4.7 | n/a | 0.4 | 0.4 | 0.3 | |
| R _{θJP} | Thermal resistance between the die junction and the bottom of the exposed pad. | 2.7 | 1.4 | 1.78 | n/a | n/a | 3 | 1.94 | |

- (1) For more information about traditional and new thermal metrics, see the *IC Package Thermal Metrics* application report, [SPRA953](#).
- (2) For thermal estimates of this device based on PCB copper area, see the [TI PCB Thermal Calculator](#).
- (3) Maximum power dissipation is a function of T_{J(max)}, θ_{JA}, and T_A. The maximum allowable power dissipation at any allowable ambient temperature is P_D = (T_{J(max)} – T_A) / θ_{JA}. Operating at the absolute maximum T_J of 150°C can affect reliability.

7.5 TLV1117C Electrical Characteristics

$T_J = 0^\circ\text{C}$ to 125°C , all typical values are at $T_J = 25^\circ\text{C}$ (unless otherwise noted)

| PARAMETER | TEST CONDITIONS ⁽¹⁾ | MIN | TYP | MAX | UNIT | |
|---|--|-------|--------|-------|---------------|----|
| Reference voltage, V_{REF} | $V_{IN} - V_{OUT} = 2\text{ V}$, $I_{OUT} = 10\text{ mA}$, $T_J = 25^\circ\text{C}$ | 1.238 | 1.25 | 1.262 | V | |
| | $V_{IN} - V_{OUT} = 1.4\text{ V}$ to 10 V , $I_{OUT} = 10\text{ mA}$ to 800 mA | 1.225 | 1.25 | 1.27 | | |
| Output voltage, V_{OUT} | $V_{IN} = 3.5\text{ V}$, $I_{OUT} = 10\text{ mA}$, $T_J = 25^\circ\text{C}$ | 1.485 | 1.5 | 1.515 | | |
| | $V_{IN} = 2.9\text{ V}$ to 10 V , $I_{OUT} = 0$ to 800 mA | 1.455 | 1.5 | 1.545 | | |
| | $V_{IN} = 3.8\text{ V}$, $I_{OUT} = 10\text{ mA}$, $T_J = 25^\circ\text{C}$ | 1.782 | 1.8 | 1.818 | | |
| | $V_{IN} = 3.2\text{ V}$ to 10 V , $I_{OUT} = 0$ to 800 mA | 1.746 | 1.8 | 1.854 | | |
| | $V_{IN} = 4.5\text{ V}$, $I_{OUT} = 10\text{ mA}$, $T_J = 25^\circ\text{C}$ | 2.475 | 2.5 | 2.525 | | |
| | $V_{IN} = 3.9\text{ V}$ to 10 V , $I_{OUT} = 0$ to 800 mA | 2.450 | 2.5 | 2.550 | | |
| | $V_{IN} = 5\text{ V}$, $I_{OUT} = 10\text{ mA}$, $T_J = 25^\circ\text{C}$ | 3.267 | 3.3 | 3.333 | | |
| | $V_{IN} = 4.75\text{ V}$ to 10 V , $I_{OUT} = 0$ to 800 mA | 3.235 | 3.3 | 3.365 | | |
| | $V_{IN} = 7\text{ V}$, $I_{OUT} = 10\text{ mA}$, $T_J = 25^\circ\text{C}$ | 4.950 | 5.0 | 5.050 | | |
| | $V_{IN} = 6.5\text{ V}$ to 12 V , $I_{OUT} = 0$ to 800 mA | 4.900 | 5.0 | 5.100 | | |
| Line regulation | $I_{OUT} = 10\text{ mA}$, $V_{IN} - V_{OUT} = 1.5\text{ V}$ to 13.75 V | | 0.035% | 0.2% | | — |
| | $I_{OUT} = 0\text{ mA}$, $V_{IN} = 2.9\text{ V}$ to 10 V | | 1 | 6 | | mV |
| | $I_{OUT} = 0\text{ mA}$, $V_{IN} = 3.2\text{ V}$ to 10 V | | 1 | 6 | | |
| | $I_{OUT} = 0\text{ mA}$, $V_{IN} = 3.9\text{ V}$ to 10 V | | 1 | 6 | | |
| | $I_{OUT} = 0\text{ mA}$, $V_{IN} = 4.75\text{ V}$ to 15 V | | 1 | 6 | | |
| | $I_{OUT} = 0\text{ mA}$, $V_{IN} = 6.5\text{ V}$ to 15 V | | 1 | 10 | | |
| Load regulation | $I_{OUT} = 10\text{ mA}$ to 800 mA , $V_{IN} - V_{OUT} = 3\text{ V}$ | | 0.2% | 0.4% | — | |
| | $I_{OUT} = 0$ to 800 mA , $V_{IN} = 2.9\text{ V}$ | | 1 | 10 | mV | |
| | $I_{OUT} = 0$ to 800 mA , $V_{IN} = 3.2\text{ V}$ | | 1 | 10 | | |
| | $I_{OUT} = 0$ to 800 mA , $V_{IN} = 3.9\text{ V}$ | | 1 | 10 | | |
| | $I_{OUT} = 0$ to 800 mA , $V_{IN} = 4.75\text{ V}$ | | 1 | 10 | | |
| | $I_{OUT} = 0$ to 800 mA , $V_{IN} = 6.5\text{ V}$ | | 1 | 15 | | |
| Dropout voltage, V_{DO} ⁽²⁾ | $I_{OUT} = 100\text{ mA}$ | | 1.1 | 1.2 | | V |
| | $I_{OUT} = 500\text{ mA}$ | | 1.15 | 1.25 | | |
| | $I_{OUT} = 800\text{ mA}$ | | 1.2 | 1.3 | | |
| Current limit | $V_{IN} - V_{OUT} = 5\text{ V}$, $T_J = 25^\circ\text{C}$ ⁽³⁾ | 0.8 | 1.2 | 1.6 | A | |
| Minimum load current | $V_{IN} = 15\text{ V}$ | | 1.7 | 5 | mA | |
| Quiescent current | $V_{IN} \leq 15\text{ V}$ | | 5 | 10 | mA | |
| Thermal regulation | 30-ms pulse, $T_A = 25^\circ\text{C}$ | | 0.01 | 0.1 | %/W | |
| Ripple rejection | $V_{IN} - V_{OUT} = 3\text{ V}$, $V_{ripple} = 1\text{ V}_{pp}$, $f = 120\text{ Hz}$ | 60 | 75 | | dB | |
| ADJ pin current | | | 80 | 120 | μA | |
| Change in ADJ pin current | $V_{IN} - V_{OUT} = 1.4\text{ V}$ to 10 V , $I_{OUT} = 10\text{ mA}$ to 800 mA | | 0.2 | 5 | μA | |
| Temperature stability | $T_J = \text{full range}$ | | 0.5% | | — | |
| Long-term stability | 1000 hrs, No load, $T_A = 125^\circ\text{C}$ | | 0.3% | | — | |
| Output noise voltage (% of V_{OUT}) | $f = 10\text{ Hz}$ to 100 kHz | | 0.003% | | — | |

- (1) All characteristics are measured with a $10\text{-}\mu\text{F}$ capacitor across the input and a $10\text{-}\mu\text{F}$ capacitor across the output. Pulse testing techniques are used to maintain the junction temperature as close to the ambient temperature as possible.
- (2) Dropout is defined as the V_{IN} to V_{OUT} differential at which V_{OUT} drops 100 mV below the value of V_{OUT} , measured at $V_{IN} = V_{OUT(nom)} + 1.5\text{ V}$.
- (3) Current limit test specified under recommended operating conditions.

7.6 TLV1117I Electrical Characteristics

 $T_J = -40^{\circ}\text{C}$ to 125°C , all typical values are at $T_J = 25^{\circ}\text{C}$ (unless otherwise noted)

| PARAMETER | TEST CONDITIONS ⁽¹⁾ | MIN | TYP | MAX | UNIT | |
|---|--|-------|--------|-------|---------------|----|
| Reference voltage, V_{REF} | $V_{IN} - V_{OUT} = 2\text{ V}$, $I_{OUT} = 10\text{ mA}$, $T_J = 25^{\circ}\text{C}$ | 1.238 | 1.25 | 1.262 | V | |
| | $V_{IN} - V_{OUT} = 1.4\text{ V}$ to 10 V , $I_{OUT} = 10\text{ mA}$ to 800 mA | 1.200 | 1.25 | 1.29 | | |
| Output voltage, V_{OUT} | $V_{IN} = 3.5\text{ V}$, $I_{OUT} = 10\text{ mA}$, $T_J = 25^{\circ}\text{C}$ | 1.485 | 1.5 | 1.515 | | |
| | $V_{IN} = 2.9\text{ V}$ to 10 V , $I_{OUT} = 0$ to 800 mA | 1.44 | 1.5 | 1.56 | | |
| | $V_{IN} = 3.8\text{ V}$, $I_{OUT} = 10\text{ mA}$, $T_J = 25^{\circ}\text{C}$ | 1.782 | 1.8 | 1.818 | | |
| | $V_{IN} = 3.2\text{ V}$ to 10 V , $I_{OUT} = 0$ to 800 mA | 1.728 | 1.8 | 1.872 | | |
| | $V_{IN} = 4.5\text{ V}$, $I_{OUT} = 10\text{ mA}$, $T_J = 25^{\circ}\text{C}$ | 2.475 | 2.5 | 2.525 | | |
| | $V_{IN} = 3.9\text{ V}$ to 10 V , $I_{OUT} = 0$ to 800 mA | 2.4 | 2.5 | 2.6 | | |
| | $V_{IN} = 5\text{ V}$, $I_{OUT} = 10\text{ mA}$, $T_J = 25^{\circ}\text{C}$ | 3.267 | 3.3 | 3.333 | | |
| | $V_{IN} = 4.75\text{ V}$ to 10 V , $I_{OUT} = 0$ to 800 mA | 3.168 | 3.3 | 3.432 | | |
| | $V_{IN} = 7\text{ V}$, $I_{OUT} = 10\text{ mA}$, $T_J = 25^{\circ}\text{C}$ | 4.95 | 5.0 | 5.05 | | |
| | $V_{IN} = 6.5\text{ V}$ to 12 V , $I_{OUT} = 0$ to 800 mA | 4.80 | 5.0 | 5.20 | | |
| Line regulation | $I_{OUT} = 10\text{ mA}$, $V_{IN} - V_{OUT} = 1.5\text{ V}$ to 13.75 V | | 0.035% | 0.3% | | — |
| | $I_{OUT} = 0\text{ mA}$, $V_{IN} = 2.9\text{ V}$ to 10 V | | 1 | 10 | | mV |
| | $I_{OUT} = 0\text{ mA}$, $V_{IN} = 3.2\text{ V}$ to 10 V | | 1 | 10 | | |
| | $I_{OUT} = 0\text{ mA}$, $V_{IN} = 3.9\text{ V}$ to 10 V | | 1 | 10 | | |
| | $I_{OUT} = 0\text{ mA}$, $V_{IN} = 4.75\text{ V}$ to 15 V | | 1 | 10 | | |
| | $I_{OUT} = 0\text{ mA}$, $V_{IN} = 6.5\text{ V}$ to 15 V | | 1 | 15 | | |
| Load regulation | $I_{OUT} = 10\text{ mA}$ to 800 mA , $V_{IN} - V_{OUT} = 3\text{ V}$ | | 0.2% | 0.5% | — | |
| | $I_{OUT} = 0$ to 800 mA , $V_{IN} = 2.9\text{ V}$ | | 1 | 15 | mV | |
| | $I_{OUT} = 0$ to 800 mA , $V_{IN} = 3.2\text{ V}$ | | 1 | 15 | | |
| | $I_{OUT} = 0$ to 800 mA , $V_{IN} = 3.9\text{ V}$ | | 1 | 15 | | |
| | $I_{OUT} = 0$ to 800 mA , $V_{IN} = 4.75\text{ V}$ | | 1 | 15 | | |
| | $I_{OUT} = 0$ to 800 mA , $V_{IN} = 6.5\text{ V}$ | | 1 | 20 | | |
| Dropout voltage, V_{DO} ⁽²⁾ | $I_{OUT} = 100\text{ mA}$ | | 1.1 | 1.3 | | V |
| | $I_{OUT} = 500\text{ mA}$ | | 1.15 | 1.35 | | |
| | $I_{OUT} = 800\text{ mA}$ | | 1.2 | 1.4 | | |
| Current limit | $V_{IN} - V_{OUT} = 5\text{ V}$, $T_J = 25^{\circ}\text{C}$ ⁽³⁾ | 0.8 | 1.2 | 1.6 | A | |
| Minimum load current | $V_{IN} = 15\text{ V}$ | | 1.7 | 5 | mA | |
| Quiescent current | $V_{IN} \leq 15\text{ V}$ | | 5 | 15 | mA | |
| Thermal regulation | 30-ms pulse, $T_A = 25^{\circ}\text{C}$ | | 0.01 | 0.1 | %/W | |
| Ripple rejection | $V_{IN} - V_{OUT} = 3\text{ V}$, $V_{ripple} = 1\text{ V}_{pp}$, $f = 120\text{ Hz}$ | 60 | 75 | | dB | |
| ADJ pin current | | | 80 | 120 | μA | |
| Change in ADJ pin current | $V_{IN} - V_{OUT} = 1.4\text{ V}$ to 10 V , $I_{OUT} = 10\text{ mA}$ to 800 mA | | 0.2 | 10 | μA | |
| Temperature stability | $T_J = \text{full range}$ | | 0.5% | | — | |
| Long-term stability | 1000 hrs, No load, $T_A = 125^{\circ}\text{C}$ | | 0.3% | | — | |
| Output noise voltage (% of V_{OUT}) | $f = 10\text{ Hz}$ to 100 kHz | | 0.003% | | — | |

- (1) All characteristics are measured with a 10- μF capacitor across the input and a 10- μF capacitor across the output. Pulse testing techniques are used to maintain the junction temperature as close to the ambient temperature as possible.
- (2) Dropout is defined as the V_{IN} to V_{OUT} differential at which V_{OUT} drops 100 mV below the value of V_{OUT} , measured at $V_{IN} = V_{OUT(nom)} + 1.5\text{ V}$.
- (3) Current limit test specified under recommended operating conditions

7.7 Typical Characteristics

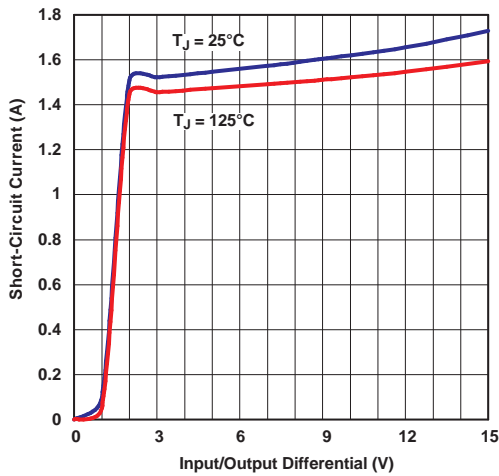


Figure 1. Short-Circuit Current vs ($V_{IN} - V_{OUT}$)

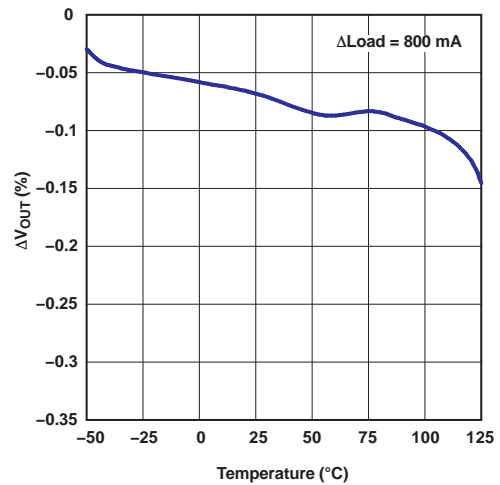


Figure 2. Load Regulation

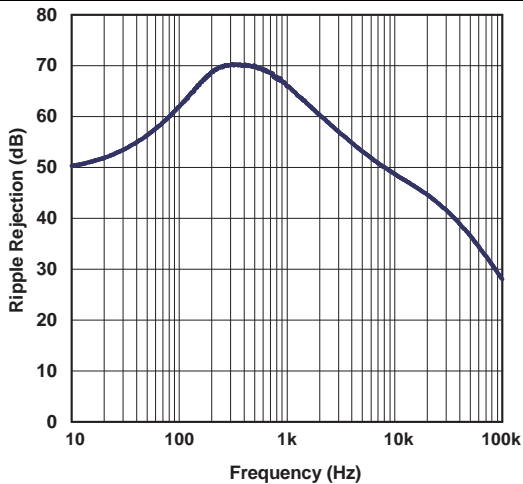


Figure 3. Ripple Rejection vs Frequency (ADJ Version)

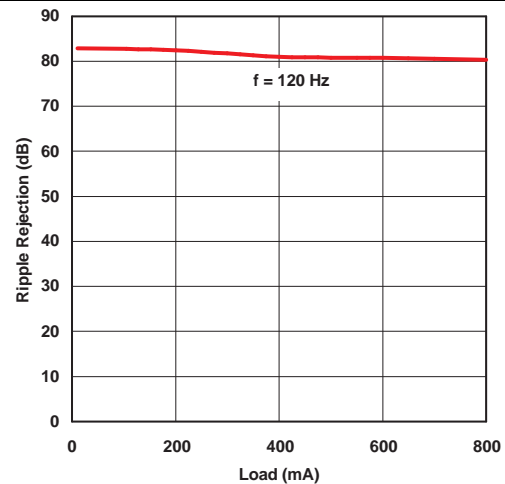


Figure 4. Ripple Rejection vs Load Current (ADJ Version)

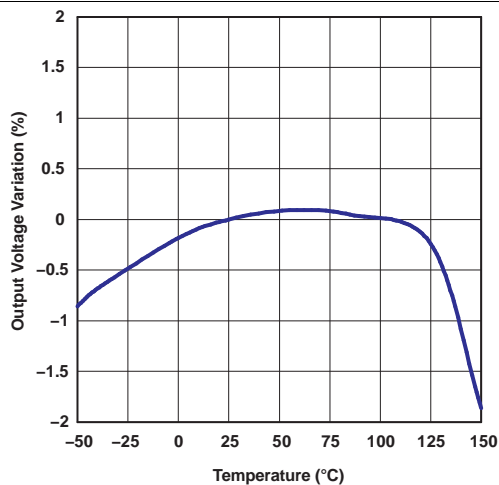


Figure 5. Temperature Stability

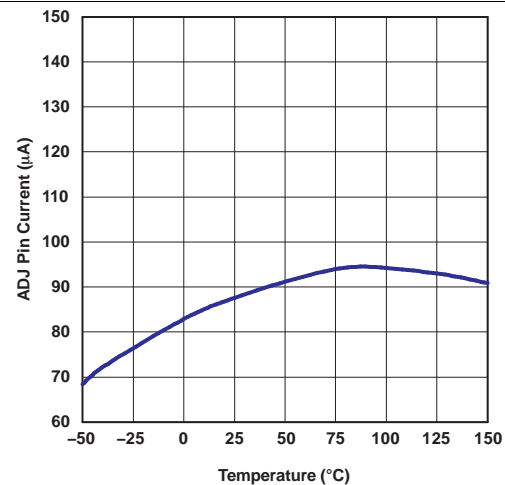
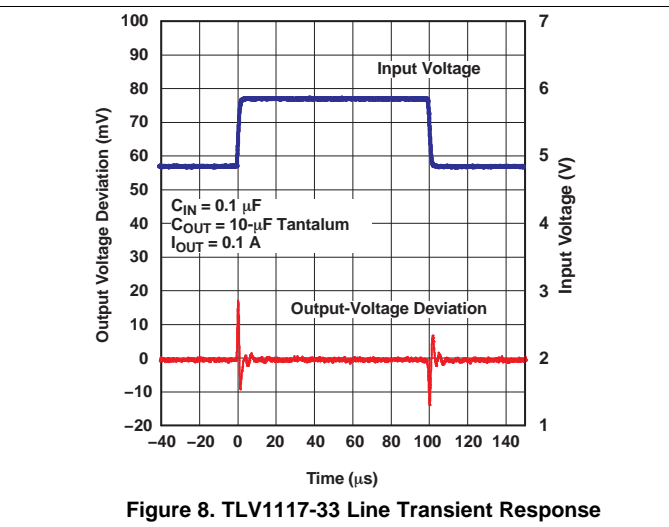
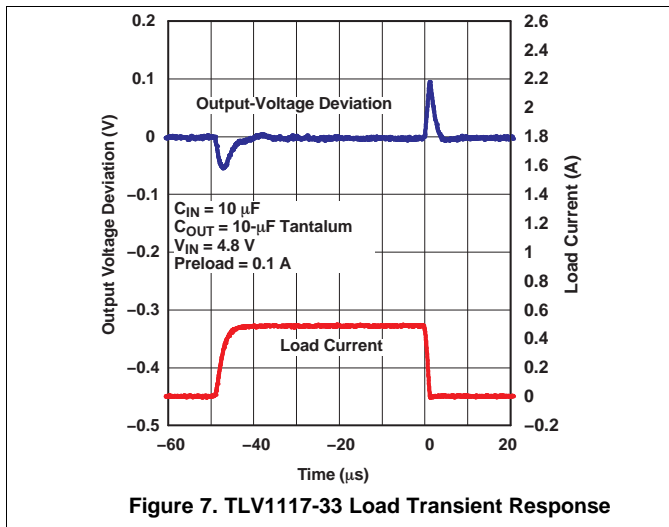


Figure 6. ADJ Pin Current vs Temperature

Typical Characteristics (continued)



8 Detailed Description

8.1 Overview

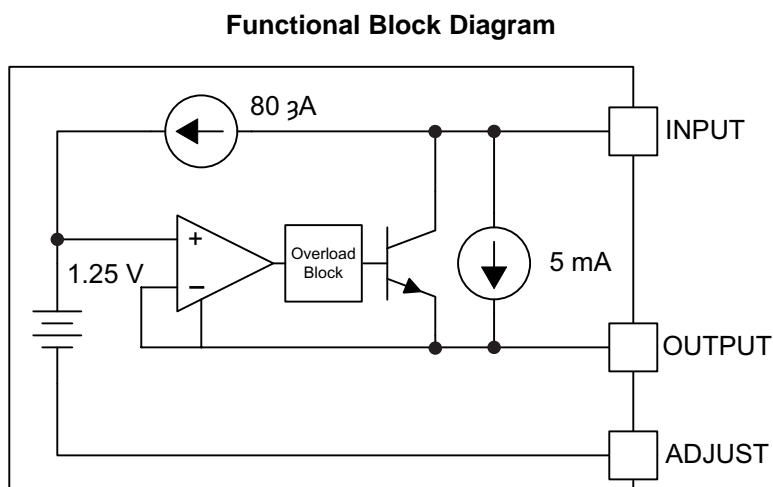
The TLV1117 device is a positive low-dropout voltage regulator designed to provide up to 800 mA of output current. The device is available in 1.5-V, 1.8-V, 2.5-V, 3.3-V, 5-V, and adjustable-output voltage options. All internal circuitry is designed to operate down to 1-V input-to-output differential. Dropout voltage is specified at a maximum of 1.3 V at 800 mA, decreasing at lower load currents.

The TLV1117 device is designed to be stable with tantalum and aluminum electrolytic output capacitors having an ESR between 0.2 Ω and 10 Ω .

Unlike pnp-type regulators, in which up to 10% of the output current is wasted as quiescent current, the quiescent current of the TLV1117 device flows into the load, increasing efficiency.

The TLV1117C device is characterized for operation over the virtual junction temperature range of 0°C to 125°C, and the TLV1117I device is characterized for operation over the virtual junction temperature range of –40°C to 125°C.

8.2 Functional Block Diagram



8.3 Feature Description

8.3.1 NPN Output Drive

NPN output topology provides lower output impedance than most LDOs. However, an output capacitor is required. To support maximum current and lowest temperature, 1.4-V headroom is recommended (less for lower currents) ($V_I - V_O$).

8.3.2 Overload Block

Current limiting and over temperature shutdown protects against overload or under heat sinking.

8.3.3 Programmable Feedback

Op amp with 1.25-V offset input at the ADJUST pin provides easy output voltage programming. For current regulation applications, a single resistor whose resistance value is $1.25 \text{ V} / I_{\text{OUT}}$ and power rating is greater than $(1.25 \text{ V})^2 / R$ should be used. For voltage regulation applications, two resistors set the output voltage.

8.4 Device Functional Modes

8.4.1 Normal operation

The device OUTPUT pin will source current necessary to make OUTPUT pin 1.25 V greater than ADJUST terminal to provide output regulation.

Device Functional Modes (continued)

8.4.2 Operation With Low Input Voltage

The adjustable version of the device requires 1-V headroom ($V_I - V_O$) to operate in regulation. With less headroom, the device may drop out and OUTPUT voltage will be INPUT voltage minus drop out voltage.

8.4.3 Operation at Light Loads

The device passes its bias current to the OUTPUT pin. The load or feedback must consume this minimum current for regulation or the output may be too high.

8.4.4 Operation in Self Protection

When an overload occurs the device will shut down the output stage or reduce the output current to prevent device damage. The device will automatically reset from the overload. The output may be reduced or alternate between on and off until the overload is removed.

9 Application and Implementation

NOTE

Information in the following applications sections is not part of the TI component specification, and TI does not warrant its accuracy or completeness. TI's customers are responsible for determining suitability of components for their purposes. Customers should validate and test their design implementation to confirm system functionality.

9.1 Typical Application

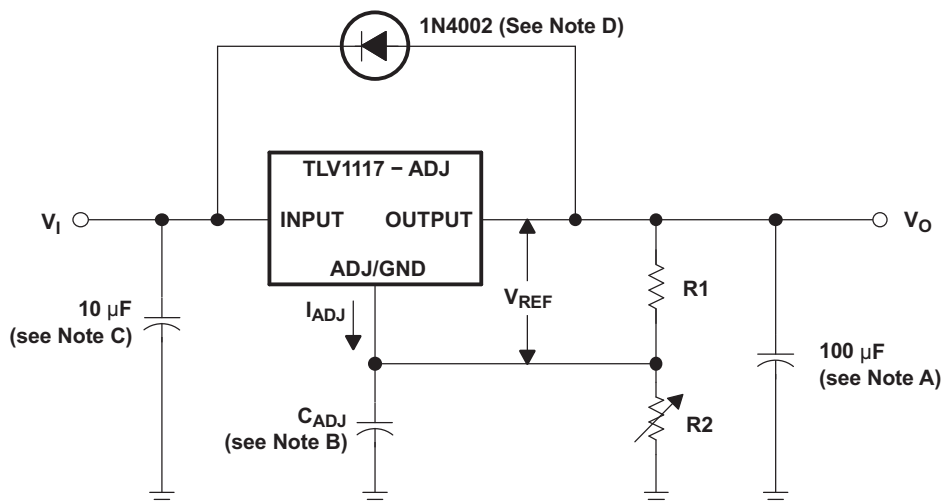


Figure 9. Basic Adjustable Regulator

The adjustable version of the TLV1117 will take a 2.7 to 15-V input. The voltage V_{REF} refers to the voltage between the output and the ADJUST pin, typically 1.25 V. The V_{REF} voltage causes a current to flow across R1, which is the same current that will flow across R2 (minus the negligible 50- μ A I_{ADJ}). Therefore, R2 can be adjusted to create a larger voltage drop from GND and set the output voltage. The output voltage equation is described in [Detailed Design Procedure](#).

9.1.1 Design Requirements

- (A) Output capacitor selection is critical for regulator stability. Larger C_{OUT} values benefit the regulator by improving transient response and loop stability. This device is designed to be stable with tantalum and aluminum electrolytic output capacitors having an ESR between 0.2 Ω and 10 Ω .
- (B) C_{ADJ} can be used to improve ripple rejection. If C_{ADJ} is used, a C_{OUT} that is larger in value than C_{ADJ} must be used.
- (C) C_{IN} is recommended if TLV1117 device is not located near the power-supply filter.
- (D) An external diode is recommended to protect the regulator if the input instantaneously is shorted to GND.

9.1.2 Detailed Design Procedure

The output voltage can be calculated as shown in [Figure 10](#):

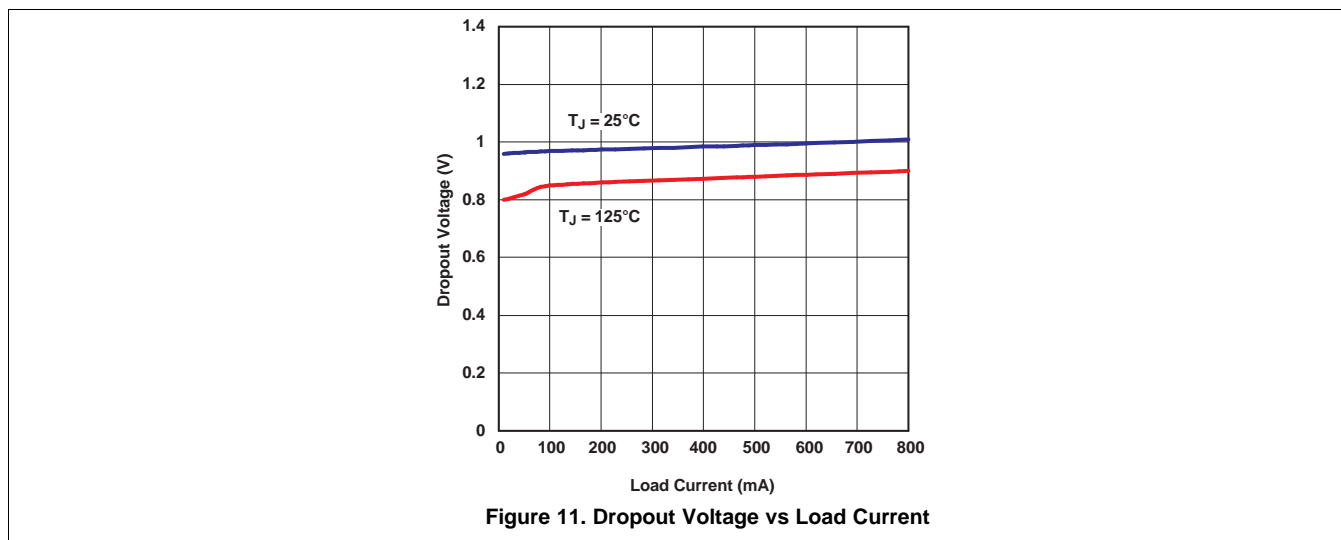
$$V_{OUT} = V_{REF} \left(1 + \frac{R2}{R1} \right) + (I_{ADJ} \times R2)$$

Figure 10.

I_{ADJ} can be neglected in most applications because its value is approximately 80 μ A.

Typical Application (continued)

9.1.3 Application Curves



10 Power Supply Recommendations

The fixed and adjustable versions of the TLV1117 have different recommended ranges of operating voltage. Refer to [Recommended Operating Conditions](#) for specific operating ranges.

11 Layout

11.1 Layout Guidelines

One or two input capacitors are recommended if the TLV1117 is not located near its power supply output filter capacitor. These capacitors can filter high-frequency noise and mitigate brief voltage surges from the input. Traces on the input and output pins of the device should be wide enough to support the full range of current needed in the application to minimize $I \times R$ drop.

11.2 Layout Example

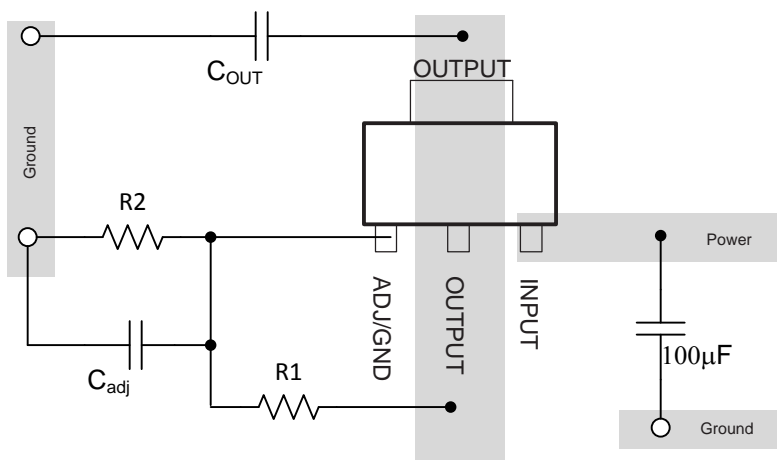


Figure 12. Layout Example

12 Device and Documentation Support

12.1 Trademarks

All trademarks are the property of their respective owners.

12.2 Electrostatic Discharge Caution



These devices have limited built-in ESD protection. The leads should be shorted together or the device placed in conductive foam during storage or handling to prevent electrostatic damage to the MOS gates.

12.3 Glossary

[SLYZ022](#) — *TI Glossary*.

This glossary lists and explains terms, acronyms and definitions.

13 Mechanical, Packaging, and Orderable Information

The following pages include mechanical packaging and orderable information. This information is the most current data available for the designated devices. This data is subject to change without notice and revision of this document. For browser based versions of this data sheet, refer to the left hand navigation.

PACKAGING INFORMATION

| Orderable Device | Status (1) | Package Type | Package Drawing | Pins | Package Qty | Eco Plan (2) | Lead/Ball Finish (6) | MSL Peak Temp (3) | Op Temp (°C) | Device Marking (4/5) | Samples |
|-------------------|---------------|--------------|--------------------|------|----------------|----------------------------|-------------------------|----------------------|--------------|-------------------------|-------------------------|
| TLV1117-15CDCY | ACTIVE | SOT-223 | DCY | 4 | 80 | Green (RoHS & no Sb/Br) | CU SN | Level-2-260C-1 YEAR | 0 to 125 | T2 | Samples |
| TLV1117-15CDCYR | ACTIVE | SOT-223 | DCY | 4 | 2500 | Green (RoHS & no Sb/Br) | CU SN | Level-2-260C-1 YEAR | 0 to 125 | T2 | Samples |
| TLV1117-15CDCYRG3 | ACTIVE | SOT-223 | DCY | 4 | 2500 | Green (RoHS & no Sb/Br) | CU SN | Level-2-260C-1 YEAR | 0 to 125 | T2 | Samples |
| TLV1117-15CDRJR | ACTIVE | SON | DRJ | 8 | 1000 | Green (RoHS & no Sb/Br) | CU NIPDAU | Level-2-260C-1 YEAR | 0 to 125 | ZYH | Samples |
| TLV1117-15IDCY | ACTIVE | SOT-223 | DCY | 4 | 80 | Green (RoHS & no Sb/Br) | CU SN | Level-2-260C-1 YEAR | -40 to 125 | T3 | Samples |
| TLV1117-15IDCYR | ACTIVE | SOT-223 | DCY | 4 | 2500 | Green (RoHS & no Sb/Br) | CU SN | Level-2-260C-1 YEAR | -40 to 125 | T3 | Samples |
| TLV1117-15IKVURG3 | ACTIVE | TO-252 | KVU | 3 | 2500 | Green (RoHS & no Sb/Br) | CU SN | Level-3-260C-168 HR | -40 to 125 | ZF15 | Samples |
| TLV1117-18CDCY | ACTIVE | SOT-223 | DCY | 4 | 80 | Green (RoHS & no Sb/Br) | CU SN | Level-2-260C-1 YEAR | 0 to 125 | T4 | Samples |
| TLV1117-18CDCYG3 | ACTIVE | SOT-223 | DCY | 4 | 80 | Green (RoHS & no Sb/Br) | CU SN | Level-2-260C-1 YEAR | 0 to 125 | T4 | Samples |
| TLV1117-18CDCYR | ACTIVE | SOT-223 | DCY | 4 | 2500 | Green (RoHS & no Sb/Br) | CU SN | Level-2-260C-1 YEAR | 0 to 125 | T4 | Samples |
| TLV1117-18CDCYRG3 | ACTIVE | SOT-223 | DCY | 4 | 2500 | Green (RoHS & no Sb/Br) | CU SN | Level-2-260C-1 YEAR | 0 to 125 | T4 | Samples |
| TLV1117-18CDRJR | ACTIVE | SON | DRJ | 8 | 1000 | Green (RoHS & no Sb/Br) | CU NIPDAU | Level-2-260C-1 YEAR | 0 to 125 | ZYK | Samples |
| TLV1117-18CKVURG3 | ACTIVE | TO-252 | KVU | 3 | 2500 | Green (RoHS & no Sb/Br) | CU SN | Level-3-260C-168 HR | 0 to 125 | ZE18 | Samples |
| TLV1117-18IDCY | ACTIVE | SOT-223 | DCY | 4 | 80 | Green (RoHS & no Sb/Br) | CU SN | Level-2-260C-1 YEAR | -40 to 125 | T5 | Samples |
| TLV1117-18IDCYG3 | ACTIVE | SOT-223 | DCY | 4 | 80 | Green (RoHS & no Sb/Br) | CU SN | Level-2-260C-1 YEAR | -40 to 125 | T5 | Samples |
| TLV1117-18IDCYR | ACTIVE | SOT-223 | DCY | 4 | 2500 | Green (RoHS & no Sb/Br) | CU SN | Level-2-260C-1 YEAR | -40 to 125 | T5 | Samples |
| TLV1117-18IDCYRG3 | ACTIVE | SOT-223 | DCY | 4 | 2500 | Green (RoHS & no Sb/Br) | CU SN | Level-2-260C-1 YEAR | -40 to 125 | T5 | Samples |

| Orderable Device | Status (1) | Package Type | Package Drawing | Pins | Package Qty | Eco Plan (2) | Lead/Ball Finish (6) | MSL Peak Temp (3) | Op Temp (°C) | Device Marking (4/5) | Samples |
|-------------------|---------------|--------------|-----------------|------|-------------|-------------------------|-------------------------|----------------------|--------------|-------------------------|-------------------------|
| TLV1117-18IDRJR | ACTIVE | SON | DRJ | 8 | 1000 | Green (RoHS & no Sb/Br) | CU NIPDAU | Level-2-260C-1 YEAR | -40 to 125 | ZYL | Samples |
| TLV1117-18IKVURG3 | ACTIVE | TO-252 | KVU | 3 | 2500 | Green (RoHS & no Sb/Br) | CU SN | Level-3-260C-168 HR | -40 to 125 | ZF18 | Samples |
| TLV1117-25CDCY | ACTIVE | SOT-223 | DCY | 4 | 80 | Green (RoHS & no Sb/Br) | CU SN | Level-2-260C-1 YEAR | 0 to 125 | T6 | Samples |
| TLV1117-25CDCYR | ACTIVE | SOT-223 | DCY | 4 | 2500 | Green (RoHS & no Sb/Br) | CU SN | Level-2-260C-1 YEAR | 0 to 125 | T6 | Samples |
| TLV1117-25CDCYRG3 | ACTIVE | SOT-223 | DCY | 4 | 2500 | Green (RoHS & no Sb/Br) | CU SN | Level-2-260C-1 YEAR | 0 to 125 | T6 | Samples |
| TLV1117-25CKVURG3 | ACTIVE | TO-252 | KVU | 3 | 2500 | Green (RoHS & no Sb/Br) | CU SN | Level-3-260C-168 HR | 0 to 125 | ZE25 | Samples |
| TLV1117-25IDCY | ACTIVE | SOT-223 | DCY | 4 | 80 | Green (RoHS & no Sb/Br) | CU SN | Level-2-260C-1 YEAR | -40 to 125 | T8 | Samples |
| TLV1117-25IDCYR | ACTIVE | SOT-223 | DCY | 4 | 2500 | Green (RoHS & no Sb/Br) | CU SN | Level-2-260C-1 YEAR | -40 to 125 | T8 | Samples |
| TLV1117-25IDRJR | ACTIVE | SON | DRJ | 8 | 1000 | Green (RoHS & no Sb/Br) | CU NIPDAU | Level-2-260C-1 YEAR | -40 to 125 | ZYN | Samples |
| TLV1117-25IKCS | PREVIEW | TO-220 | KCS | 3 | 50 | TBD | Call TI | Call TI | -40 to 125 | | |
| TLV1117-33CDCY | ACTIVE | SOT-223 | DCY | 4 | 80 | Green (RoHS & no Sb/Br) | CU SN | Level-2-260C-1 YEAR | 0 to 125 | V3 | Samples |
| TLV1117-33CDCYG3 | ACTIVE | SOT-223 | DCY | 4 | 80 | Green (RoHS & no Sb/Br) | CU SN | Level-2-260C-1 YEAR | 0 to 125 | V3 | Samples |
| TLV1117-33CDCYR | ACTIVE | SOT-223 | DCY | 4 | 2500 | Green (RoHS & no Sb/Br) | CU SN | Level-2-260C-1 YEAR | 0 to 125 | V3 | Samples |
| TLV1117-33CDCYRG3 | ACTIVE | SOT-223 | DCY | 4 | 2500 | Green (RoHS & no Sb/Br) | CU SN | Level-2-260C-1 YEAR | 0 to 125 | V3 | Samples |
| TLV1117-33CDRJR | ACTIVE | SON | DRJ | 8 | 1000 | Green (RoHS & no Sb/Br) | CU NIPDAU | Level-2-260C-1 YEAR | 0 to 125 | ZYP | Samples |
| TLV1117-33CKVURG3 | ACTIVE | TO-252 | KVU | 3 | 2500 | Green (RoHS & no Sb/Br) | CU SN | Level-3-260C-168 HR | 0 to 125 | ZE33 | Samples |
| TLV1117-33IDCY | ACTIVE | SOT-223 | DCY | 4 | 80 | Green (RoHS & no Sb/Br) | CU SN | Level-2-260C-1 YEAR | -40 to 125 | (V3 ~ VS) | Samples |
| TLV1117-33IDCYG3 | ACTIVE | SOT-223 | DCY | 4 | 80 | Green (RoHS & no Sb/Br) | CU SN | Level-2-260C-1 YEAR | -40 to 125 | (V3 ~ VS) | Samples |

| Orderable Device | Status (1) | Package Type | Package Drawing | Pins | Package Qty | Eco Plan (2) | Lead/Ball Finish (6) | MSL Peak Temp (3) | Op Temp (°C) | Device Marking (4/5) | Samples |
|-------------------|---------------|--------------|-----------------|------|-------------|-------------------------|-------------------------|----------------------|--------------|-------------------------|-------------------------|
| TLV1117-33IDCYR | ACTIVE | SOT-223 | DCY | 4 | 2500 | Green (RoHS & no Sb/Br) | CU SN | Level-2-260C-1 YEAR | -40 to 125 | VS | Samples |
| TLV1117-33IDCYRG3 | ACTIVE | SOT-223 | DCY | 4 | 2500 | Green (RoHS & no Sb/Br) | CU SN | Level-2-260C-1 YEAR | -40 to 125 | VS | Samples |
| TLV1117-33IDRJR | ACTIVE | SON | DRJ | 8 | 1000 | Green (RoHS & no Sb/Br) | CU NIPDAU | Level-2-260C-1 YEAR | -40 to 125 | ZYR | Samples |
| TLV1117-33IDRJRG4 | ACTIVE | SON | DRJ | 8 | 1000 | Green (RoHS & no Sb/Br) | CU NIPDAU | Level-2-260C-1 YEAR | -40 to 125 | ZYR | Samples |
| TLV1117-33IKVURG3 | ACTIVE | TO-252 | KVU | 3 | 2500 | Green (RoHS & no Sb/Br) | CU SN | Level-3-260C-168 HR | -40 to 125 | ZF33 | Samples |
| TLV1117-50CDCY | ACTIVE | SOT-223 | DCY | 4 | 80 | Green (RoHS & no Sb/Br) | CU SN | Level-2-260C-1 YEAR | 0 to 125 | VT | Samples |
| TLV1117-50CDCYG3 | ACTIVE | SOT-223 | DCY | 4 | 80 | Green (RoHS & no Sb/Br) | CU SN | Level-2-260C-1 YEAR | 0 to 125 | VT | Samples |
| TLV1117-50CDCYR | ACTIVE | SOT-223 | DCY | 4 | 2500 | Green (RoHS & no Sb/Br) | CU SN | Level-2-260C-1 YEAR | 0 to 125 | VT | Samples |
| TLV1117-50CDCYRG3 | ACTIVE | SOT-223 | DCY | 4 | 2500 | Green (RoHS & no Sb/Br) | CU SN | Level-2-260C-1 YEAR | 0 to 125 | VT | Samples |
| TLV1117-50CDRJR | ACTIVE | SON | DRJ | 8 | 1000 | Green (RoHS & no Sb/Br) | CU NIPDAU | Level-2-260C-1 YEAR | 0 to 125 | ZE50 | Samples |
| TLV1117-50CDRJRG4 | ACTIVE | SON | DRJ | 8 | 1000 | Green (RoHS & no Sb/Br) | CU NIPDAU | Level-2-260C-1 YEAR | 0 to 125 | ZE50 | Samples |
| TLV1117-50CKVURG3 | ACTIVE | TO-252 | KVU | 3 | 2500 | Green (RoHS & no Sb/Br) | CU SN | Level-3-260C-168 HR | 0 to 125 | ZE50 | Samples |
| TLV1117-50IDCY | ACTIVE | SOT-223 | DCY | 4 | 80 | Green (RoHS & no Sb/Br) | CU SN | Level-2-260C-1 YEAR | -40 to 125 | VU | Samples |
| TLV1117-50IDCYR | ACTIVE | SOT-223 | DCY | 4 | 2500 | Green (RoHS & no Sb/Br) | CU SN | Level-2-260C-1 YEAR | -40 to 125 | VU | Samples |
| TLV1117-50IDCYRG3 | ACTIVE | SOT-223 | DCY | 4 | 2500 | Green (RoHS & no Sb/Br) | CU SN | Level-2-260C-1 YEAR | -40 to 125 | VU | Samples |
| TLV1117-50IDRJR | ACTIVE | SON | DRJ | 8 | 1000 | Green (RoHS & no Sb/Br) | CU NIPDAU | Level-2-260C-1 YEAR | -40 to 125 | ZF50 | Samples |
| TLV1117-50IDRJRG4 | ACTIVE | SON | DRJ | 8 | 1000 | Green (RoHS & no Sb/Br) | CU NIPDAU | Level-2-260C-1 YEAR | -40 to 125 | ZF50 | Samples |
| TLV1117-50IKVURG3 | ACTIVE | TO-252 | KVU | 3 | 2500 | Green (RoHS & no Sb/Br) | CU SN | Level-3-260C-168 HR | -40 to 125 | ZF50 | Samples |

| Orderable Device | Status (1) | Package Type | Package Drawing | Pins | Package Qty | Eco Plan (2) | Lead/Ball Finish (6) | MSL Peak Temp (3) | Op Temp (°C) | Device Marking (4/5) | Samples |
|------------------|---------------|------------------|-----------------|------|-------------|-------------------------|-------------------------|----------------------|--------------|-------------------------|-------------------------|
| TLV1117CDCY | ACTIVE | SOT-223 | DCY | 4 | 80 | Green (RoHS & no Sb/Br) | CU SN | Level-2-260C-1 YEAR | 0 to 125 | V4 | Samples |
| TLV1117CDCYG3 | ACTIVE | SOT-223 | DCY | 4 | 80 | Green (RoHS & no Sb/Br) | CU SN | Level-2-260C-1 YEAR | 0 to 125 | V4 | Samples |
| TLV1117CDCYR | ACTIVE | SOT-223 | DCY | 4 | 2500 | Green (RoHS & no Sb/Br) | CU SN | Level-2-260C-1 YEAR | 0 to 125 | V4 | Samples |
| TLV1117CDCYRG3 | ACTIVE | SOT-223 | DCY | 4 | 2500 | Green (RoHS & no Sb/Br) | CU SN | Level-2-260C-1 YEAR | 0 to 125 | V4 | Samples |
| TLV1117CDRJR | ACTIVE | SON | DRJ | 8 | 1000 | Green (RoHS & no Sb/Br) | CU NIPDAU | Level-2-260C-1 YEAR | 0 to 125 | ZYS | Samples |
| TLV1117CKCS | ACTIVE | TO-220 | KCS | 3 | 50 | Pb-Free (RoHS) | CU SN | N / A for Pkg Type | 0 to 125 | TLV1117C | Samples |
| TLV1117CKCSE3 | ACTIVE | TO-220 | KCS | 3 | 50 | Pb-Free (RoHS) | CU SN | N / A for Pkg Type | 0 to 125 | TLV1117C | Samples |
| TLV1117CKCT | ACTIVE | TO-220 | KCT | 3 | 50 | Pb-Free (RoHS) | CU SN | N / A for Pkg Type | 0 to 125 | TLV1117C | Samples |
| TLV1117CKTER | OBSOLETE | PFM | KTE | 3 | | TBD | Call TI | Call TI | 0 to 125 | TLV1117C | |
| TLV1117CKTPR | OBSOLETE | PFM | KTP | 2 | | TBD | Call TI | Call TI | 0 to 125 | TV1117 | |
| TLV1117CKTPRG3 | OBSOLETE | PFM | KTP | 2 | | TBD | Call TI | Call TI | 0 to 125 | TV1117 | |
| TLV1117CKTTR | ACTIVE | DDPAK/ TO-263 | KTT | 3 | 500 | Green (RoHS & no Sb/Br) | CU SN | Level-3-245C-168 HR | 0 to 125 | TLV1117C | Samples |
| TLV1117CKTTRG3 | ACTIVE | DDPAK/ TO-263 | KTT | 3 | 500 | Green (RoHS & no Sb/Br) | CU SN | Level-3-245C-168 HR | 0 to 125 | TLV1117C | Samples |
| TLV1117CKVURG3 | ACTIVE | TO-252 | KVU | 3 | 2500 | Green (RoHS & no Sb/Br) | CU SN | Level-3-260C-168 HR | 0 to 125 | TV1117 | Samples |
| TLV1117IDCY | ACTIVE | SOT-223 | DCY | 4 | 80 | Green (RoHS & no Sb/Br) | CU SN | Level-2-260C-1 YEAR | -40 to 125 | V2 | Samples |
| TLV1117IDCYG3 | ACTIVE | SOT-223 | DCY | 4 | 80 | Green (RoHS & no Sb/Br) | CU SN | Level-2-260C-1 YEAR | -40 to 125 | V2 | Samples |
| TLV1117IDCYR | ACTIVE | SOT-223 | DCY | 4 | 2500 | Green (RoHS & no Sb/Br) | CU SN | Level-2-260C-1 YEAR | -40 to 125 | V2 | Samples |
| TLV1117IDCYRG3 | ACTIVE | SOT-223 | DCY | 4 | 2500 | Green (RoHS & no Sb/Br) | CU SN | Level-2-260C-1 YEAR | -40 to 125 | V2 | Samples |
| TLV1117IDRJR | ACTIVE | SON | DRJ | 8 | 1000 | Green (RoHS & no Sb/Br) | CU NIPDAU | Level-2-260C-1 YEAR | -40 to 125 | ZYT | Samples |

| Orderable Device | Status (1) | Package Type | Package Drawing | Pins | Package Qty | Eco Plan (2) | Lead/Ball Finish (6) | MSL Peak Temp (3) | Op Temp (°C) | Device Marking (4/5) | Samples |
|------------------|---------------|------------------|-----------------|------|-------------|-------------------------|-------------------------|----------------------|--------------|-------------------------|-------------------------|
| TLV1117IKCS | ACTIVE | TO-220 | KCS | 3 | 50 | Pb-Free (RoHS) | CU SN | N / A for Pkg Type | -40 to 125 | TLV1117I | Samples |
| TLV1117IKCSE3 | ACTIVE | TO-220 | KCS | 3 | 50 | Pb-Free (RoHS) | CU SN | N / A for Pkg Type | -40 to 125 | TLV1117I | Samples |
| TLV1117IKTER | OBSOLETE | PFM | KTE | 3 | | TBD | Call TI | Call TI | -40 to 125 | TLV1117I | |
| TLV1117IKTPR | OBSOLETE | PFM | KTP | 2 | | TBD | Call TI | Call TI | -40 to 125 | TY1117 | |
| TLV1117IKTPRG3 | OBSOLETE | PFM | KTP | 2 | | TBD | Call TI | Call TI | -40 to 125 | TY1117 | |
| TLV1117IKTTR | ACTIVE | DDPAK/ TO-263 | KTT | 3 | 500 | Green (RoHS & no Sb/Br) | CU SN | Level-3-245C-168 HR | -40 to 125 | TLV1117I | Samples |
| TLV1117IKTTRG3 | ACTIVE | DDPAK/ TO-263 | KTT | 3 | 500 | Green (RoHS & no Sb/Br) | CU SN | Level-3-245C-168 HR | -40 to 125 | TLV1117I | Samples |
| TLV1117IKVURG3 | ACTIVE | TO-252 | KVU | 3 | 2500 | Green (RoHS & no Sb/Br) | CU SN | Level-3-260C-168 HR | -40 to 125 | TY1117 | Samples |

(1) The marketing status values are defined as follows:

ACTIVE: Product device recommended for new designs.

LIFEBUY: TI has announced that the device will be discontinued, and a lifetime-buy period is in effect.

NRND: Not recommended for new designs. Device is in production to support existing customers, but TI does not recommend using this part in a new design.

PREVIEW: Device has been announced but is not in production. Samples may or may not be available.

OBSOLETE: TI has discontinued the production of the device.

(2) Eco Plan - The planned eco-friendly classification: Pb-Free (RoHS), Pb-Free (RoHS Exempt), or Green (RoHS & no Sb/Br) - please check <http://www.ti.com/productcontent> for the latest availability information and additional product content details.

TBD: The Pb-Free/Green conversion plan has not been defined.

Pb-Free (RoHS): TI's terms "Lead-Free" or "Pb-Free" mean semiconductor products that are compatible with the current RoHS requirements for all 6 substances, including the requirement that lead not exceed 0.1% by weight in homogeneous materials. Where designed to be soldered at high temperatures, TI Pb-Free products are suitable for use in specified lead-free processes.

Pb-Free (RoHS Exempt): This component has a RoHS exemption for either 1) lead-based flip-chip solder bumps used between the die and package, or 2) lead-based die adhesive used between the die and leadframe. The component is otherwise considered Pb-Free (RoHS compatible) as defined above.

Green (RoHS & no Sb/Br): TI defines "Green" to mean Pb-Free (RoHS compatible), and free of Bromine (Br) and Antimony (Sb) based flame retardants (Br or Sb do not exceed 0.1% by weight in homogeneous material)

(3) MSL, Peak Temp. - The Moisture Sensitivity Level rating according to the JEDEC industry standard classifications, and peak solder temperature.

(4) There may be additional marking, which relates to the logo, the lot trace code information, or the environmental category on the device.

(5) Multiple Device Markings will be inside parentheses. Only one Device Marking contained in parentheses and separated by a "-" will appear on a device. If a line is indented then it is a continuation of the previous line and the two combined represent the entire Device Marking for that device.

⁽⁶⁾ Lead/Ball Finish - Orderable Devices may have multiple material finish options. Finish options are separated by a vertical ruled line. Lead/Ball Finish values may wrap to two lines if the finish value exceeds the maximum column width.

Important Information and Disclaimer: The information provided on this page represents TI's knowledge and belief as of the date that it is provided. TI bases its knowledge and belief on information provided by third parties, and makes no representation or warranty as to the accuracy of such information. Efforts are underway to better integrate information from third parties. TI has taken and continues to take reasonable steps to provide representative and accurate information but may not have conducted destructive testing or chemical analysis on incoming materials and chemicals. TI and TI suppliers consider certain information to be proprietary, and thus CAS numbers and other limited information may not be available for release.

In no event shall TI's liability arising out of such information exceed the total purchase price of the TI part(s) at issue in this document sold by TI to Customer on an annual basis.

TAPE AND REEL INFORMATION



QUADRANT ASSIGNMENTS FOR PIN 1 ORIENTATION IN TAPE



*All dimensions are nominal

| Device | Package Type | Package Drawing | Pins | SPQ | Reel Diameter (mm) | Reel Width W1 (mm) | A0 (mm) | B0 (mm) | K0 (mm) | P1 (mm) | W (mm) | Pin1 Quadrant |
|-------------------|--------------|-----------------|------|------|--------------------|--------------------|---------|---------|---------|---------|--------|---------------|
| TLV1117-15CDCYR | SOT-223 | DCY | 4 | 2500 | 330.0 | 12.4 | 7.05 | 7.4 | 1.9 | 8.0 | 12.0 | Q3 |
| TLV1117-15CDJR | SON | DRJ | 8 | 1000 | 180.0 | 12.4 | 4.25 | 4.25 | 1.15 | 8.0 | 12.0 | Q2 |
| TLV1117-15IDCYR | SOT-223 | DCY | 4 | 2500 | 330.0 | 12.4 | 7.05 | 7.4 | 1.9 | 8.0 | 12.0 | Q3 |
| TLV1117-15IKVURG3 | TO-252 | KVU | 3 | 2500 | 330.0 | 16.4 | 6.9 | 10.5 | 2.8 | 8.0 | 16.0 | Q2 |
| TLV1117-15IKVURG3 | TO-252 | KVU | 3 | 2500 | 330.0 | 16.4 | 6.9 | 10.5 | 2.7 | 8.0 | 16.0 | Q2 |
| TLV1117-18CDCYR | SOT-223 | DCY | 4 | 2500 | 330.0 | 12.4 | 6.55 | 7.25 | 1.9 | 1.5 | 12.0 | Q3 |
| TLV1117-18CDJR | SON | DRJ | 8 | 1000 | 180.0 | 12.4 | 4.25 | 4.25 | 1.15 | 8.0 | 12.0 | Q2 |
| TLV1117-18CKVURG3 | TO-252 | KVU | 3 | 2500 | 330.0 | 16.4 | 6.9 | 10.5 | 2.8 | 8.0 | 16.0 | Q2 |
| TLV1117-18CKVURG3 | TO-252 | KVU | 3 | 2500 | 330.0 | 16.4 | 6.9 | 10.5 | 2.7 | 8.0 | 16.0 | Q2 |
| TLV1117-18IDCYR | SOT-223 | DCY | 4 | 2500 | 330.0 | 12.4 | 6.55 | 7.25 | 1.9 | 1.5 | 12.0 | Q3 |
| TLV1117-18IDJR | SON | DRJ | 8 | 1000 | 180.0 | 12.4 | 4.25 | 4.25 | 1.15 | 8.0 | 12.0 | Q2 |
| TLV1117-18IKVURG3 | TO-252 | KVU | 3 | 2500 | 330.0 | 16.4 | 6.9 | 10.5 | 2.7 | 8.0 | 16.0 | Q2 |
| TLV1117-18IKVURG3 | TO-252 | KVU | 3 | 2500 | 330.0 | 16.4 | 6.9 | 10.5 | 2.8 | 8.0 | 16.0 | Q2 |
| TLV1117-25CDCYR | SOT-223 | DCY | 4 | 2500 | 330.0 | 12.4 | 7.05 | 7.4 | 1.9 | 8.0 | 12.0 | Q3 |
| TLV1117-25CKVURG3 | TO-252 | KVU | 3 | 2500 | 330.0 | 16.4 | 6.9 | 10.5 | 2.7 | 8.0 | 16.0 | Q2 |
| TLV1117-25CKVURG3 | TO-252 | KVU | 3 | 2500 | 330.0 | 16.4 | 6.9 | 10.5 | 2.8 | 8.0 | 16.0 | Q2 |
| TLV1117-25IDCYR | SOT-223 | DCY | 4 | 2500 | 330.0 | 12.4 | 7.05 | 7.4 | 1.9 | 8.0 | 12.0 | Q3 |
| TLV1117-25IDJR | SON | DRJ | 8 | 1000 | 180.0 | 12.4 | 4.25 | 4.25 | 1.15 | 8.0 | 12.0 | Q2 |

| Device | Package Type | Package Drawing | Pins | SPQ | Reel Diameter (mm) | Reel Width W1 (mm) | A0 (mm) | B0 (mm) | K0 (mm) | P1 (mm) | W (mm) | Pin1 Quadrant |
|-------------------|------------------|-----------------|------|------|--------------------|--------------------|---------|---------|---------|---------|--------|---------------|
| TLV1117-33CDCYR | SOT-223 | DCY | 4 | 2500 | 330.0 | 12.4 | 7.05 | 7.4 | 1.9 | 8.0 | 12.0 | Q3 |
| TLV1117-33CDRJR | SON | DRJ | 8 | 1000 | 180.0 | 12.4 | 4.25 | 4.25 | 1.15 | 8.0 | 12.0 | Q2 |
| TLV1117-33CKVURG3 | TO-252 | KVU | 3 | 2500 | 330.0 | 16.4 | 6.9 | 10.5 | 2.7 | 8.0 | 16.0 | Q2 |
| TLV1117-33IDCYR | SOT-223 | DCY | 4 | 2500 | 330.0 | 12.4 | 7.05 | 7.4 | 1.9 | 8.0 | 12.0 | Q3 |
| TLV1117-33IDRJR | SON | DRJ | 8 | 1000 | 180.0 | 12.4 | 4.25 | 4.25 | 1.15 | 8.0 | 12.0 | Q2 |
| TLV1117-33IKVURG3 | TO-252 | KVU | 3 | 2500 | 330.0 | 16.4 | 6.9 | 10.5 | 2.7 | 8.0 | 16.0 | Q2 |
| TLV1117-33IKVURG3 | TO-252 | KVU | 3 | 2500 | 330.0 | 16.4 | 6.9 | 10.5 | 2.8 | 8.0 | 16.0 | Q2 |
| TLV1117-50CDCYR | SOT-223 | DCY | 4 | 2500 | 330.0 | 12.4 | 7.05 | 7.4 | 1.9 | 8.0 | 12.0 | Q3 |
| TLV1117-50CDRJR | SON | DRJ | 8 | 1000 | 180.0 | 12.4 | 4.25 | 4.25 | 1.15 | 8.0 | 12.0 | Q2 |
| TLV1117-50CKVURG3 | TO-252 | KVU | 3 | 2500 | 330.0 | 16.4 | 6.9 | 10.5 | 2.8 | 8.0 | 16.0 | Q2 |
| TLV1117-50CKVURG3 | TO-252 | KVU | 3 | 2500 | 330.0 | 16.4 | 6.9 | 10.5 | 2.7 | 8.0 | 16.0 | Q2 |
| TLV1117-50IDCYR | SOT-223 | DCY | 4 | 2500 | 330.0 | 12.4 | 7.05 | 7.4 | 1.9 | 8.0 | 12.0 | Q3 |
| TLV1117-50IDRJR | SON | DRJ | 8 | 1000 | 180.0 | 12.4 | 4.25 | 4.25 | 1.15 | 8.0 | 12.0 | Q2 |
| TLV1117-50IKVURG3 | TO-252 | KVU | 3 | 2500 | 330.0 | 16.4 | 6.9 | 10.5 | 2.8 | 8.0 | 16.0 | Q2 |
| TLV1117CDCYR | SOT-223 | DCY | 4 | 2500 | 330.0 | 12.4 | 6.55 | 7.25 | 1.9 | 1.5 | 12.0 | Q3 |
| TLV1117CDRJR | SON | DRJ | 8 | 1000 | 180.0 | 12.4 | 4.25 | 4.25 | 1.15 | 8.0 | 12.0 | Q2 |
| TLV1117CKTTR | DDPAK/ TO-263 | KTT | 3 | 500 | 330.0 | 24.4 | 10.8 | 16.3 | 5.11 | 16.0 | 24.0 | Q2 |
| TLV1117CKTTR | DDPAK/ TO-263 | KTT | 3 | 500 | 330.0 | 24.4 | 10.8 | 16.1 | 4.9 | 16.0 | 24.0 | Q2 |
| TLV1117CKVURG3 | TO-252 | KVU | 3 | 2500 | 330.0 | 16.4 | 6.9 | 10.5 | 2.7 | 8.0 | 16.0 | Q2 |
| TLV1117CKVURG3 | TO-252 | KVU | 3 | 2500 | 330.0 | 16.4 | 6.9 | 10.5 | 2.8 | 8.0 | 16.0 | Q2 |
| TLV1117IDCYR | SOT-223 | DCY | 4 | 2500 | 330.0 | 12.4 | 6.55 | 7.25 | 1.9 | 1.5 | 12.0 | Q3 |
| TLV1117IDRJR | SON | DRJ | 8 | 1000 | 180.0 | 12.4 | 4.25 | 4.25 | 1.15 | 8.0 | 12.0 | Q2 |
| TLV1117IKTTR | DDPAK/ TO-263 | KTT | 3 | 500 | 330.0 | 24.4 | 10.8 | 16.3 | 5.11 | 16.0 | 24.0 | Q2 |
| TLV1117IKTTR | DDPAK/ TO-263 | KTT | 3 | 500 | 330.0 | 24.4 | 10.8 | 16.1 | 4.9 | 16.0 | 24.0 | Q2 |
| TLV1117IKVURG3 | TO-252 | KVU | 3 | 2500 | 330.0 | 16.4 | 6.9 | 10.5 | 2.8 | 8.0 | 16.0 | Q2 |
| TLV1117IKVURG3 | TO-252 | KVU | 3 | 2500 | 330.0 | 16.4 | 6.9 | 10.5 | 2.7 | 8.0 | 16.0 | Q2 |

TAPE AND REEL BOX DIMENSIONS


*All dimensions are nominal

| Device | Package Type | Package Drawing | Pins | SPQ | Length (mm) | Width (mm) | Height (mm) |
|-------------------|--------------|-----------------|------|------|-------------|------------|-------------|
| TLV1117-15CDCYR | SOT-223 | DCY | 4 | 2500 | 340.0 | 340.0 | 38.0 |
| TLV1117-15CDRJR | SON | DRJ | 8 | 1000 | 210.0 | 185.0 | 35.0 |
| TLV1117-15IDCYR | SOT-223 | DCY | 4 | 2500 | 340.0 | 340.0 | 38.0 |
| TLV1117-15IKVURG3 | TO-252 | KVU | 3 | 2500 | 350.0 | 334.0 | 47.0 |
| TLV1117-15IKVURG3 | TO-252 | KVU | 3 | 2500 | 340.0 | 340.0 | 38.0 |
| TLV1117-18CDCYR | SOT-223 | DCY | 4 | 2500 | 336.0 | 336.0 | 48.0 |
| TLV1117-18CDRJR | SON | DRJ | 8 | 1000 | 210.0 | 185.0 | 35.0 |
| TLV1117-18CKVURG3 | TO-252 | KVU | 3 | 2500 | 350.0 | 334.0 | 47.0 |
| TLV1117-18CKVURG3 | TO-252 | KVU | 3 | 2500 | 340.0 | 340.0 | 38.0 |
| TLV1117-18IDCYR | SOT-223 | DCY | 4 | 2500 | 336.0 | 336.0 | 48.0 |
| TLV1117-18IDRJR | SON | DRJ | 8 | 1000 | 210.0 | 185.0 | 35.0 |
| TLV1117-18IKVURG3 | TO-252 | KVU | 3 | 2500 | 340.0 | 340.0 | 38.0 |
| TLV1117-18IKVURG3 | TO-252 | KVU | 3 | 2500 | 350.0 | 334.0 | 47.0 |
| TLV1117-25CDCYR | SOT-223 | DCY | 4 | 2500 | 340.0 | 340.0 | 38.0 |
| TLV1117-25CKVURG3 | TO-252 | KVU | 3 | 2500 | 340.0 | 340.0 | 38.0 |
| TLV1117-25CKVURG3 | TO-252 | KVU | 3 | 2500 | 350.0 | 334.0 | 47.0 |
| TLV1117-25IDCYR | SOT-223 | DCY | 4 | 2500 | 340.0 | 340.0 | 38.0 |
| TLV1117-25IDRJR | SON | DRJ | 8 | 1000 | 210.0 | 185.0 | 35.0 |
| TLV1117-33CDCYR | SOT-223 | DCY | 4 | 2500 | 340.0 | 340.0 | 38.0 |
| TLV1117-33CDRJR | SON | DRJ | 8 | 1000 | 210.0 | 185.0 | 35.0 |

| Device | Package Type | Package Drawing | Pins | SPQ | Length (mm) | Width (mm) | Height (mm) |
|-------------------|--------------|-----------------|------|------|-------------|------------|-------------|
| TLV1117-33CKVURG3 | TO-252 | KVU | 3 | 2500 | 340.0 | 340.0 | 38.0 |
| TLV1117-33IDCYR | SOT-223 | DCY | 4 | 2500 | 340.0 | 340.0 | 38.0 |
| TLV1117-33IDRJR | SON | DRJ | 8 | 1000 | 210.0 | 185.0 | 35.0 |
| TLV1117-33IKVURG3 | TO-252 | KVU | 3 | 2500 | 340.0 | 340.0 | 38.0 |
| TLV1117-33IKVURG3 | TO-252 | KVU | 3 | 2500 | 350.0 | 334.0 | 47.0 |
| TLV1117-50CDCYR | SOT-223 | DCY | 4 | 2500 | 340.0 | 340.0 | 38.0 |
| TLV1117-50CDRJR | SON | DRJ | 8 | 1000 | 210.0 | 185.0 | 35.0 |
| TLV1117-50CKVURG3 | TO-252 | KVU | 3 | 2500 | 350.0 | 334.0 | 47.0 |
| TLV1117-50CKVURG3 | TO-252 | KVU | 3 | 2500 | 340.0 | 340.0 | 38.0 |
| TLV1117-50IDCYR | SOT-223 | DCY | 4 | 2500 | 340.0 | 340.0 | 38.0 |
| TLV1117-50IDRJR | SON | DRJ | 8 | 1000 | 210.0 | 185.0 | 35.0 |
| TLV1117-50IKVURG3 | TO-252 | KVU | 3 | 2500 | 350.0 | 334.0 | 47.0 |
| TLV1117CDCYR | SOT-223 | DCY | 4 | 2500 | 336.0 | 336.0 | 48.0 |
| TLV1117CDRJR | SON | DRJ | 8 | 1000 | 210.0 | 185.0 | 35.0 |
| TLV1117CKTTR | DDPAK/TO-263 | KTT | 3 | 500 | 340.0 | 340.0 | 38.0 |
| TLV1117CKTTR | DDPAK/TO-263 | KTT | 3 | 500 | 350.0 | 334.0 | 47.0 |
| TLV1117CKVURG3 | TO-252 | KVU | 3 | 2500 | 340.0 | 340.0 | 38.0 |
| TLV1117CKVURG3 | TO-252 | KVU | 3 | 2500 | 350.0 | 334.0 | 47.0 |
| TLV1117IDCYR | SOT-223 | DCY | 4 | 2500 | 336.0 | 336.0 | 48.0 |
| TLV1117IDRJR | SON | DRJ | 8 | 1000 | 210.0 | 185.0 | 35.0 |
| TLV1117IKTTR | DDPAK/TO-263 | KTT | 3 | 500 | 340.0 | 340.0 | 38.0 |
| TLV1117IKTTR | DDPAK/TO-263 | KTT | 3 | 500 | 350.0 | 334.0 | 47.0 |
| TLV1117IKVURG3 | TO-252 | KVU | 3 | 2500 | 350.0 | 334.0 | 47.0 |
| TLV1117IKVURG3 | TO-252 | KVU | 3 | 2500 | 340.0 | 340.0 | 38.0 |

DCY (R-PDSO-G4)

PLASTIC SMALL-OUTLINE



- NOTES: A. All linear dimensions are in millimeters (inches).
 B. This drawing is subject to change without notice.
 C. Body dimensions do not include mold flash or protrusion.
 D. Falls within JEDEC TO-261 Variation AA.

DCY (R-PDSO-G4)

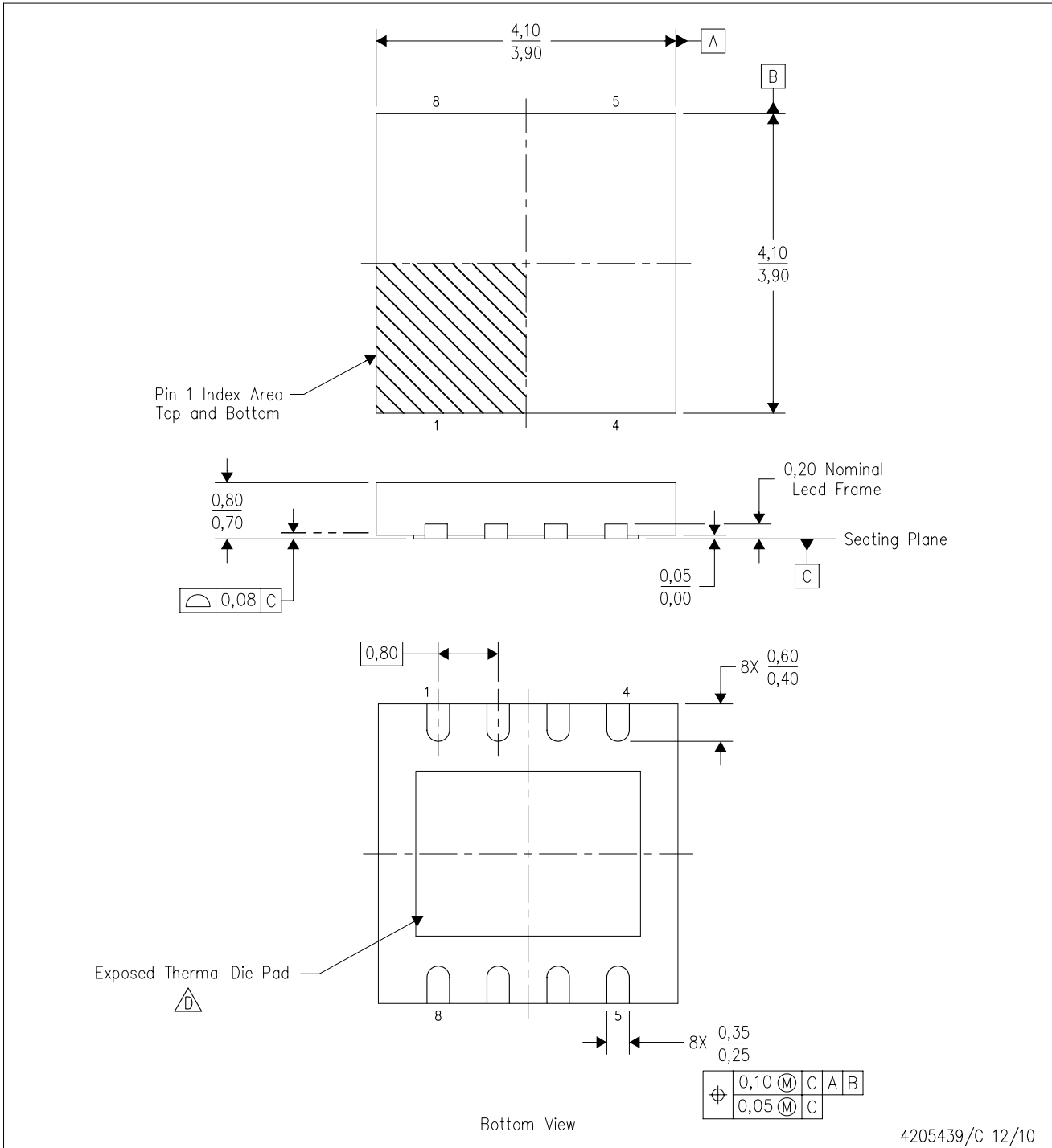
PLASTIC SMALL OUTLINE




- NOTES:
- A. All linear dimensions are in millimeters.
 - B. This drawing is subject to change without notice.
 - C. Publication IPC-7351 is recommended for alternate designs.
 - D. Laser cutting apertures with trapezoidal walls and also rounding corners will offer better paste release. Customers should contact their board assembly site for stencil recommendations. Refer to IPC 7525 for stencil design considerations.

DRJ (S-PWSON-N8)

PLASTIC SMALL OUTLINE NO-LEAD



4205439/C 12/10

- NOTES:
- A. All linear dimensions are in millimeters. Dimensioning and tolerancing per ASME Y14.5M-1994.
 - B. This drawing is subject to change without notice.
 - C. SON (Small Outline No-Lead) package configuration.
 -  The package thermal pad must be soldered to the board for thermal and mechanical performance. See the Product Data Sheet for details regarding the exposed thermal pad dimensions.
 - E. Package complies to JEDEC MO-229 variation WGGB.

THERMAL PAD MECHANICAL DATA

DRJ (S-PWSON-N8)

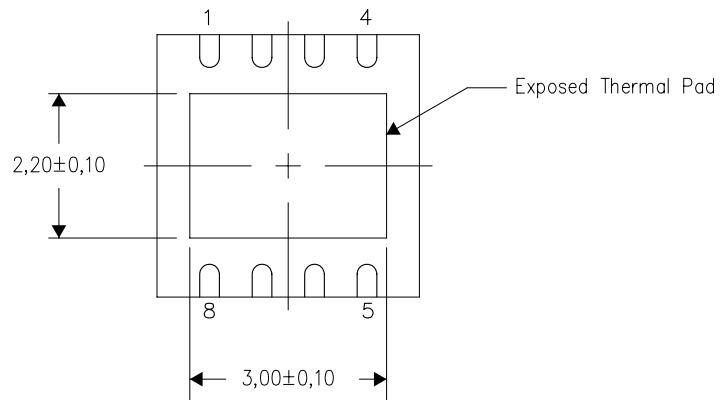
PLASTIC SMALL OUTLINE NO-LEAD

THERMAL INFORMATION

This package incorporates an exposed thermal pad that is designed to be attached directly to an external heatsink. The thermal pad must be soldered directly to the printed circuit board (PCB). After soldering, the PCB can be used as a heatsink. In addition, through the use of thermal vias, the thermal pad can be attached directly to the appropriate copper plane shown in the electrical schematic for the device, or alternatively, can be attached to a special heatsink structure designed into the PCB. This design optimizes the heat transfer from the integrated circuit (IC).

For information on the Quad Flatpack No-Lead (QFN) package and its advantages, refer to Application Report, QFN/SON PCB Attachment, Texas Instruments Literature No. SLUA271. This document is available at www.ti.com.

The exposed thermal pad dimensions for this package are shown in the following illustration.



Bottom View

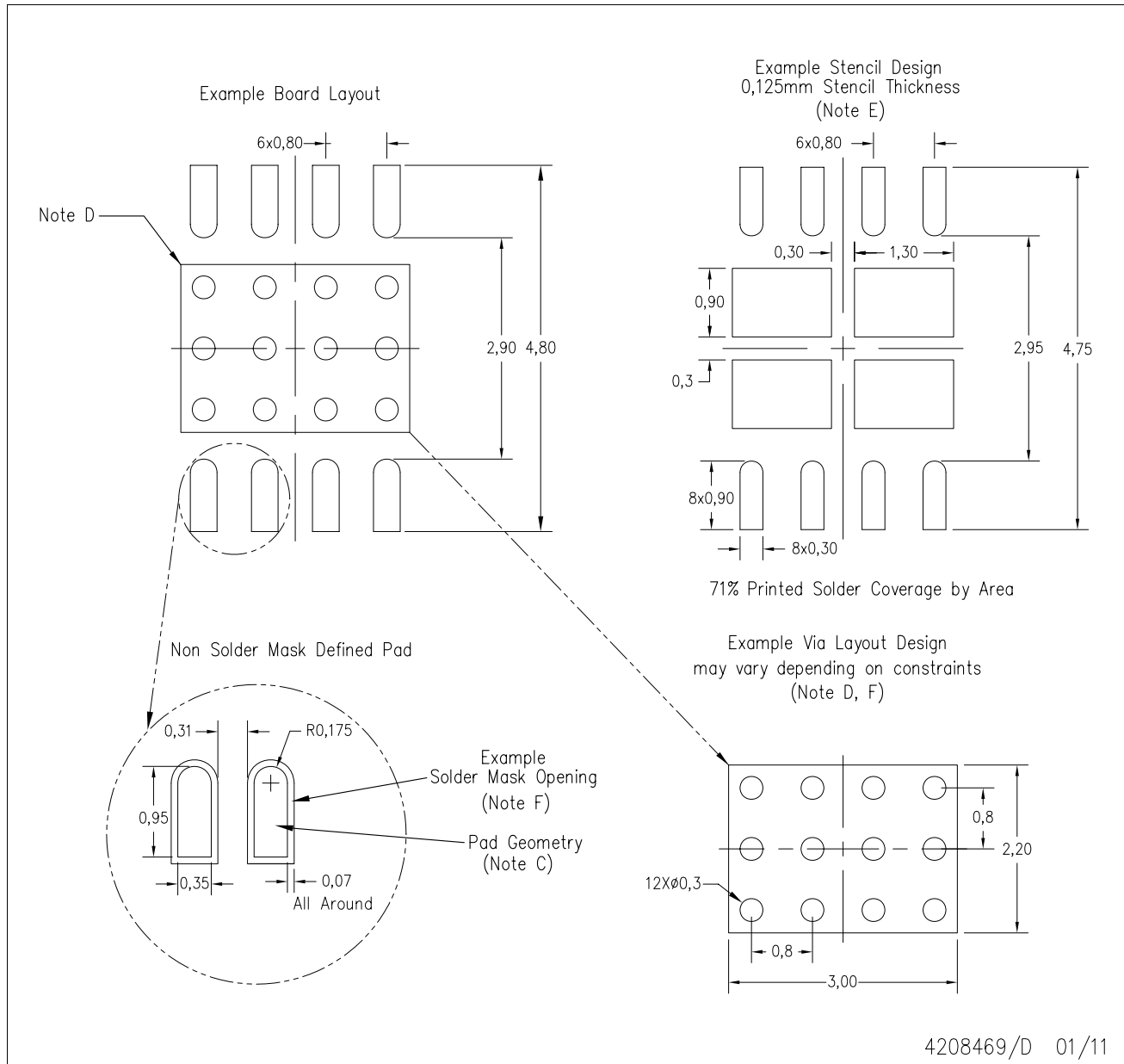
Exposed Thermal Pad Dimensions

4206882/F 01/11

NOTE: All linear dimensions are in millimeters

DRJ (S-PWSON-N8)

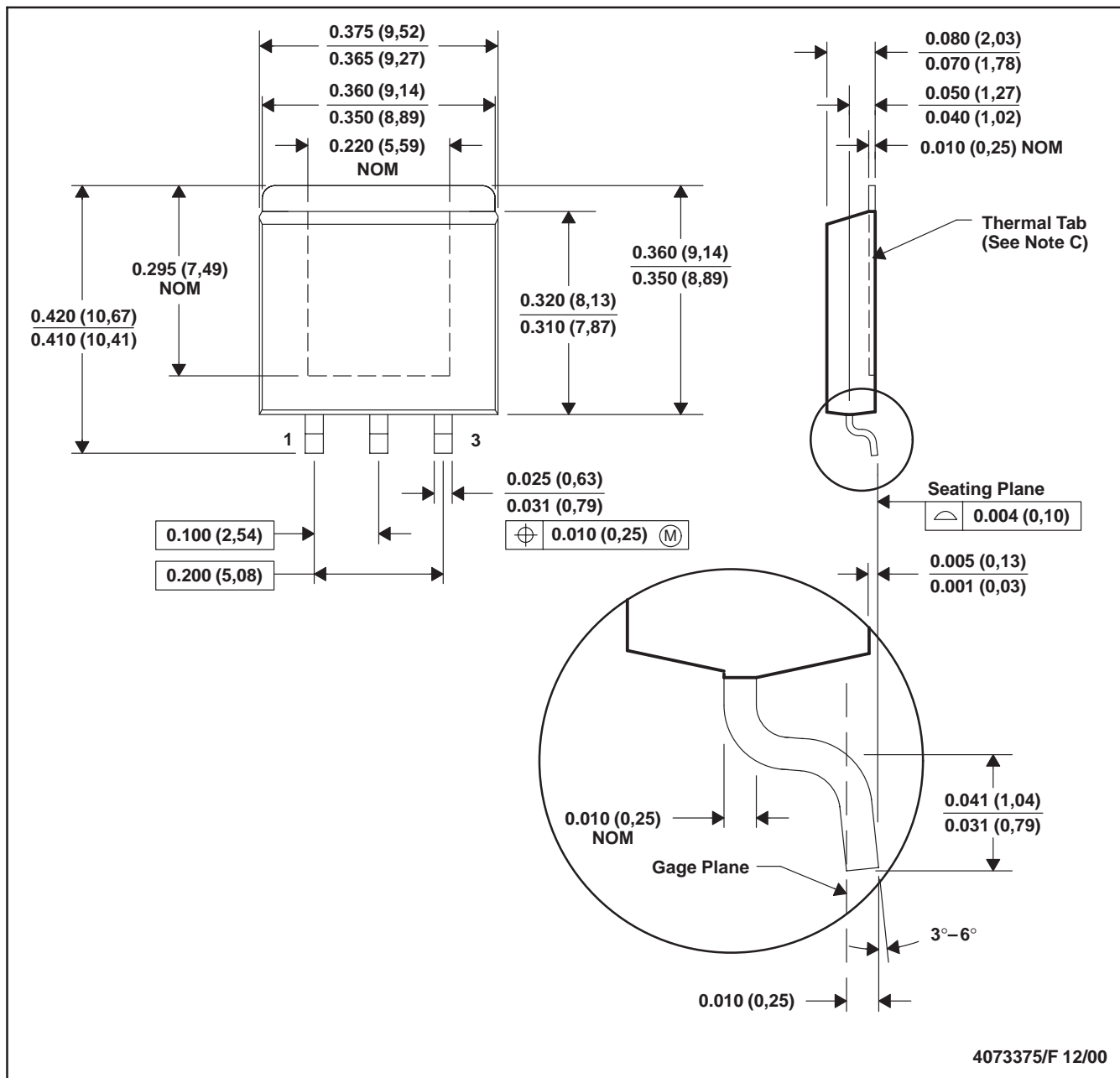
SMALL PACKAGE OUTLINE NO-LEAD



- NOTES:
- A. All linear dimensions are in millimeters.
 - B. This drawing is subject to change without notice.
 - C. Publication IPC-7351 is recommended for alternate designs.
 - D. This package is designed to be soldered to a thermal pad on the board. Refer to Application Note, Quad Flat-Pack Packages, Texas Instruments Literature No. SLUA271, and also the Product Data Sheets for specific thermal information, via requirements, and recommended board layout. These documents are available at www.ti.com <<http://www.ti.com>>.
 - E. Laser cutting apertures with electropolish and also rounding corners will offer better paste release. Customers should contact their board assembly site for stencil design recommendations. Refer to IPC 7525 for stencil design considerations.
 - F. Customers should contact their board fabrication site for solder mask tolerances and vias tenting recommendations for vias placed in the thermal pad.

KTE (R-PSFM-G3)

PowerFLEX™ PLASTIC FLANGE-MOUNT



- NOTES: A. All linear dimensions are in inches (millimeters).
 B. This drawing is subject to change without notice.
 C. The center lead is in electrical contact with the thermal tab.
 D. Dimensions do not include mold protrusions, not to exceed 0.006 (0,15).
 E. Falls within JEDEC MO-169

PowerFLEX is a trademark of Texas Instruments.



KTP (R-PSFM-G2)

PowerFLEX™ PLASTIC FLANGE-MOUNT PACKAGE

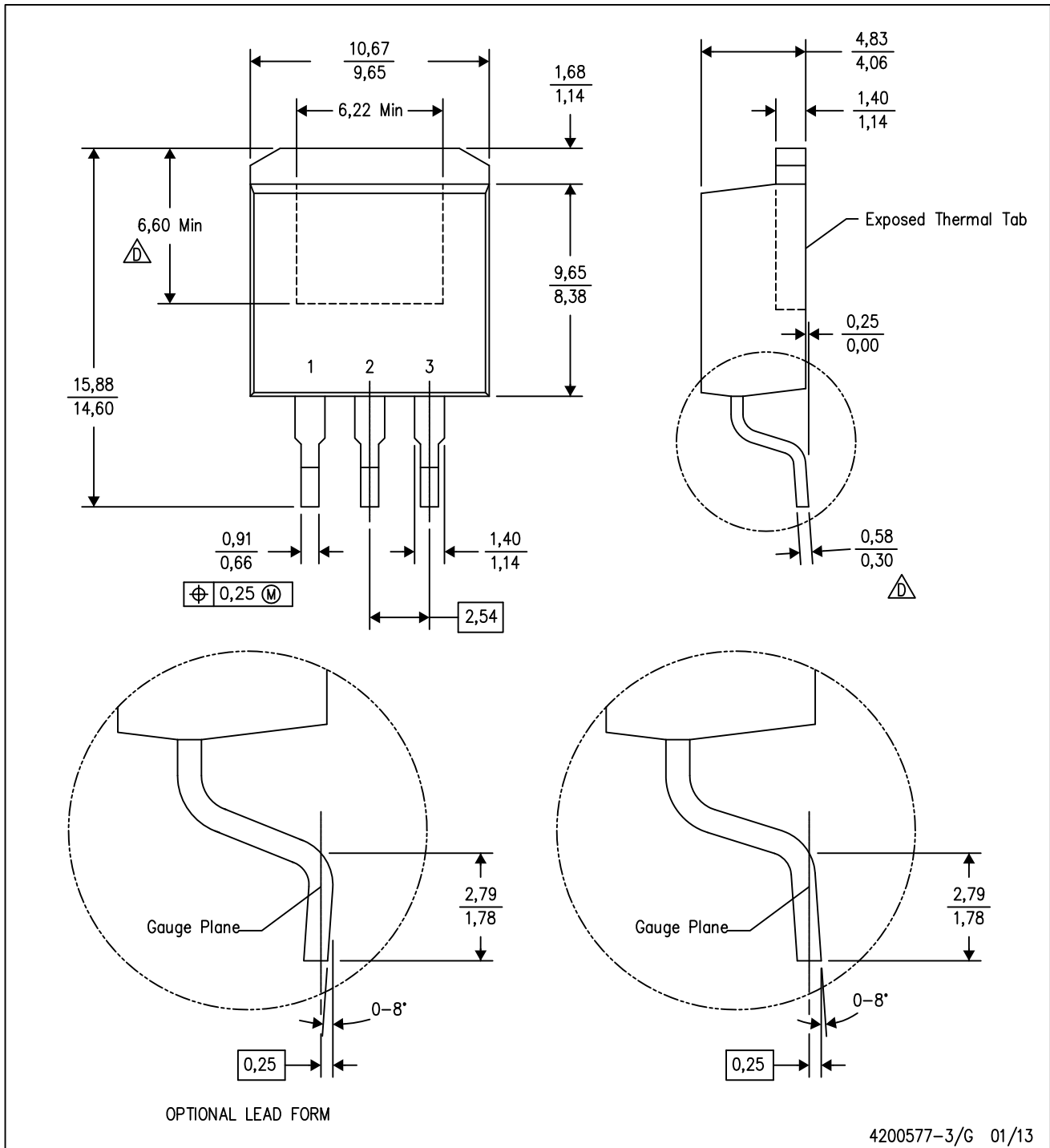


- NOTES: A. All linear dimensions are in inches (millimeters).
 B. This drawing is subject to change without notice.
 C. The center lead is in electrical contact with the thermal tab.
 D. Dimensions do not include mold protrusions, not to exceed 0.006 (0,15).
 E. Falls within JEDEC TO-252 variation AC.


PowerFLEX is a trademark of Texas Instruments.

KTT (R-PSFM-G3)

PLASTIC FLANGE-MOUNT PACKAGE



4200577-3/G 01/13

- NOTES:
- A. All linear dimensions are in millimeters.
 - B. This drawing is subject to change without notice.
 - C. Body dimensions do not include mold flash or protrusion. Mold flash or protrusion not to exceed 0.005 (0,13) per side.
-  Falls within JEDEC TO-263 variation AA, except minimum lead thickness and minimum exposed pad length.

KTT (R-PSFM-G3)

PLASTIC FLANGE-MOUNT PACKAGE

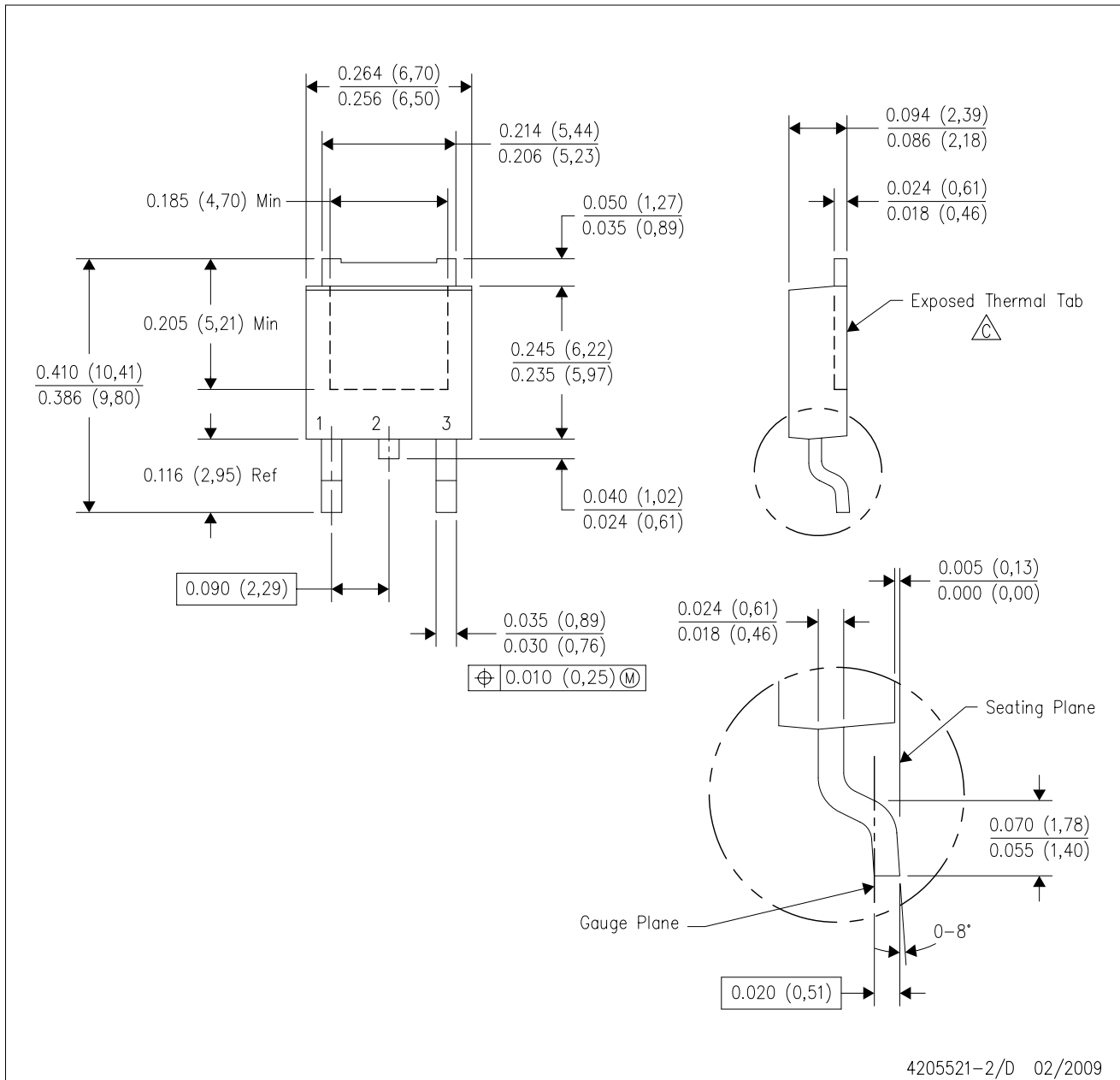


- NOTES:
- All linear dimensions are in millimeters.
 - This drawing is subject to change without notice.
 - Publication IPC-SM-782 is recommended for alternate designs.
 - Laser cutting apertures with trapezoidal walls and also rounding corners will offer better paste release. Customers should contact their board assembly site for stencil design recommendations. Refer to IPC-7525.
 - Customers should contact their board fabrication site for solder mask tolerances between and around signal pads.
 - This package is designed to be soldered to a thermal pad on the board. Refer to the Product Datasheet for specific thermal information, via requirements, and recommended thermal pad size. For thermal pad sizes larger than shown a solder mask defined pad is recommended in order to maintain the solderable pad geometry while increasing copper area.

MECHANICAL DATA

KVU (R-PSFM-G3)

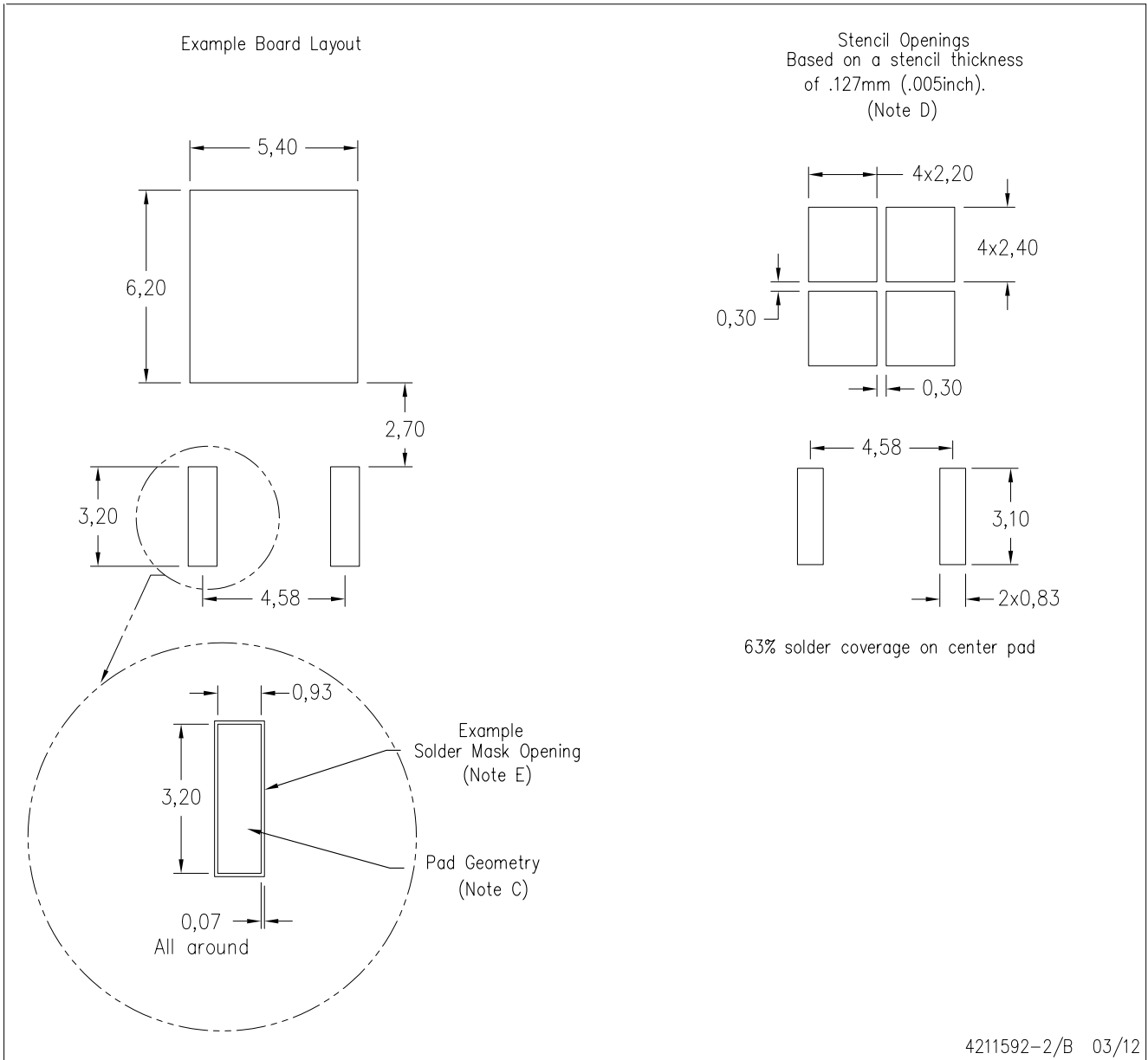
PLASTIC FLANGE-MOUNT PACKAGE



- NOTES:
- A. All linear dimensions are in inches (millimeters).
 - B. This drawing is subject to change without notice.
 - $\triangle C$ The center lead is in electrical contact with the exposed thermal tab.
 - D. Body Dimensions do not include mold flash or protrusions. Mold flash and protrusion shall not exceed 0.006 (0,15) per side.
 - E. Falls within JEDEC TO-252 variation AA.

KVU (R-PSFM-G3)

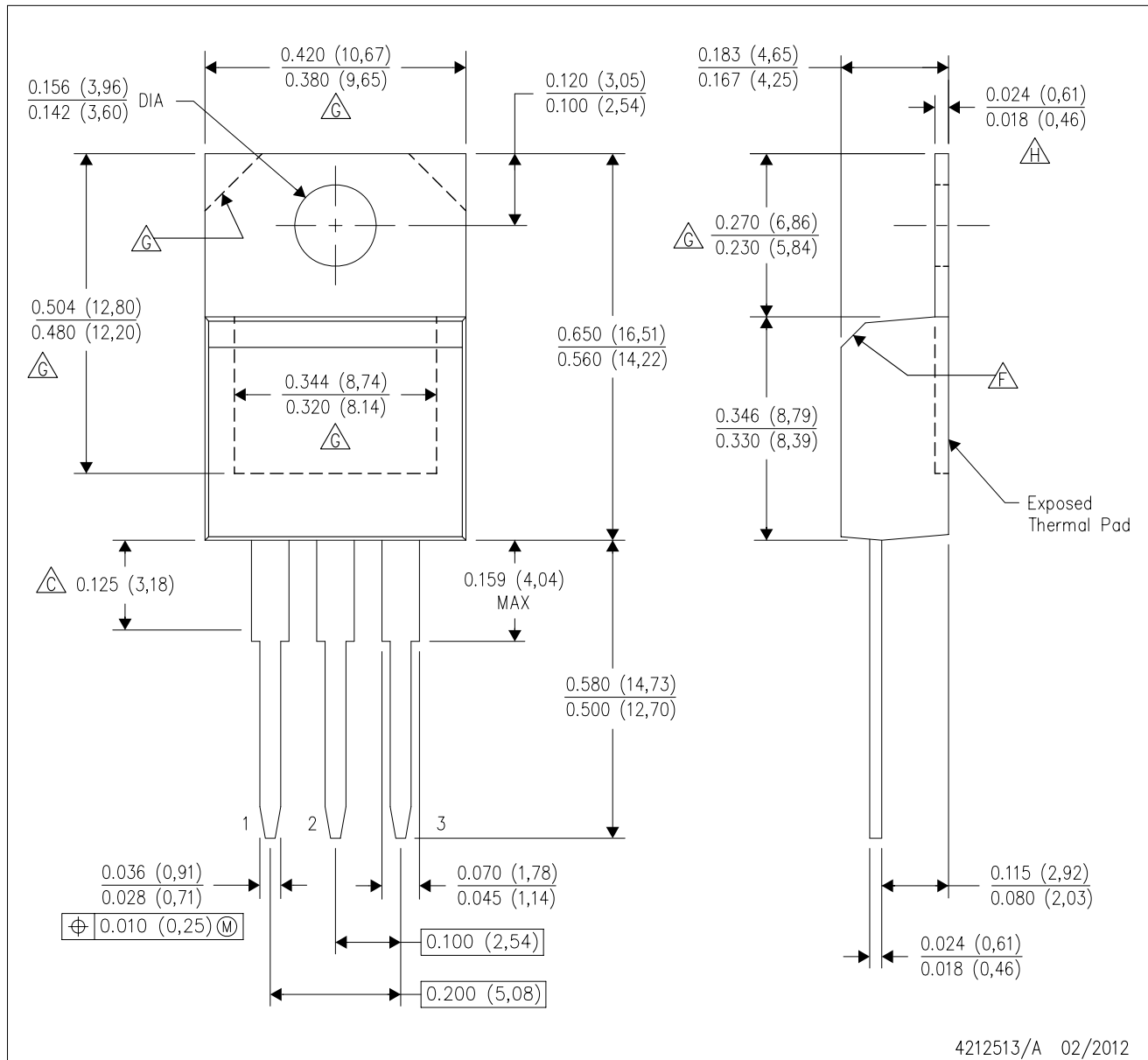
PLASTIC FLANGE MOUNT PACKAGE



- NOTES:
- A. All linear dimensions are in millimeters.
 - B. This drawing is subject to change without notice.
 - C. Publication IPC-SM-782 is an alternate information source for PCB land pattern designs.
 - D. Laser cutting apertures with trapezoidal walls and also rounding corners will offer better paste release. Customers should contact their board assembly site for stencil design recommendations. Refer to IPC-7525 for other stencil recommendations.
 - E. Customers should contact their board fabrication site for recommended solder mask tolerances and via tenting recommendations for vias placed in thermal pad.

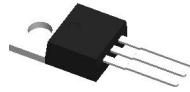
KCT (R-PSFM-T3)

PLASTIC FLANGE-MOUNT PACKAGE



- NOTES:
- A. All linear dimensions are in inches (millimeters).
 - B. This drawing is subject to change without notice.
 - C. Lead dimensions are not controlled within this area.
 - D. All lead dimensions apply before solder dip.
 - E. The center lead is in electrical contact with the mounting tab.
 - F. The chamfer is optional.
 - G. Thermal pad contour optional within these dimensions.
 - H. Falls within JEDEC TO-220 variation AB, except minimum tab thickness.

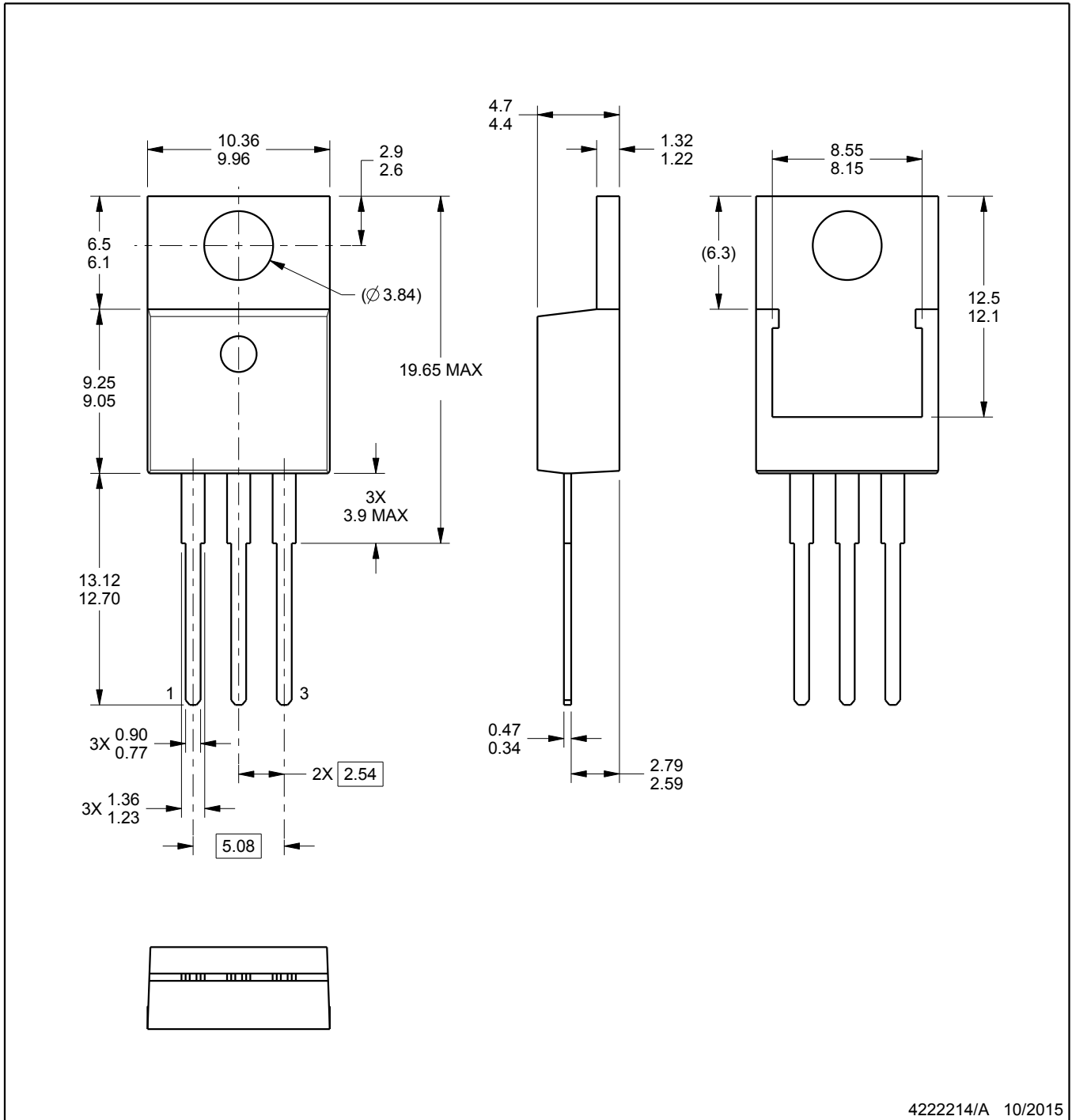
KCS0003B



PACKAGE OUTLINE

TO-220 - 19.65 mm max height

TO-220



4222214/A 10/2015

NOTES:

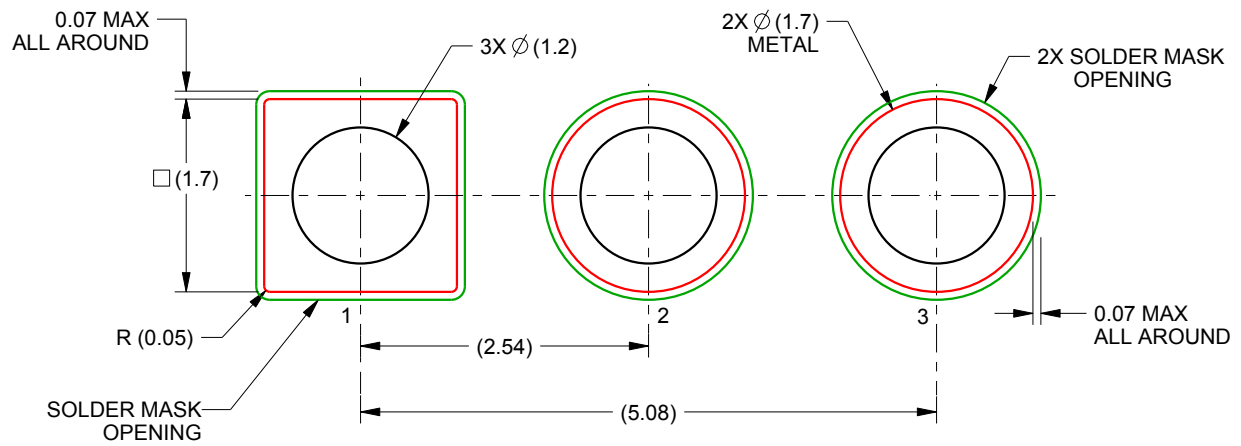
1. All controlling linear dimensions are in inches. Dimensions in brackets are in millimeters. Any dimension in brackets or parenthesis are for reference only. Dimensioning and tolerancing per ASME Y14.5M.
2. This drawing is subject to change without notice.
3. Reference JEDEC registration TO-220.

EXAMPLE BOARD LAYOUT

KCS0003B

TO-220 - 19.65 mm max height

TO-220



LAND PATTERN EXAMPLE
NON-SOLDER MASK DEFINED
SCALE: 15X

4222214/A 10/2015

IMPORTANT NOTICE

Texas Instruments Incorporated and its subsidiaries (TI) reserve the right to make corrections, enhancements, improvements and other changes to its semiconductor products and services per JESD46, latest issue, and to discontinue any product or service per JESD48, latest issue. Buyers should obtain the latest relevant information before placing orders and should verify that such information is current and complete. All semiconductor products (also referred to herein as "components") are sold subject to TI's terms and conditions of sale supplied at the time of order acknowledgment.

TI warrants performance of its components to the specifications applicable at the time of sale, in accordance with the warranty in TI's terms and conditions of sale of semiconductor products. Testing and other quality control techniques are used to the extent TI deems necessary to support this warranty. Except where mandated by applicable law, testing of all parameters of each component is not necessarily performed.

TI assumes no liability for applications assistance or the design of Buyers' products. Buyers are responsible for their products and applications using TI components. To minimize the risks associated with Buyers' products and applications, Buyers should provide adequate design and operating safeguards.

TI does not warrant or represent that any license, either express or implied, is granted under any patent right, copyright, mask work right, or other intellectual property right relating to any combination, machine, or process in which TI components or services are used. Information published by TI regarding third-party products or services does not constitute a license to use such products or services or a warranty or endorsement thereof. Use of such information may require a license from a third party under the patents or other intellectual property of the third party, or a license from TI under the patents or other intellectual property of TI.

Reproduction of significant portions of TI information in TI data books or data sheets is permissible only if reproduction is without alteration and is accompanied by all associated warranties, conditions, limitations, and notices. TI is not responsible or liable for such altered documentation. Information of third parties may be subject to additional restrictions.

Resale of TI components or services with statements different from or beyond the parameters stated by TI for that component or service voids all express and any implied warranties for the associated TI component or service and is an unfair and deceptive business practice. TI is not responsible or liable for any such statements.

Buyer acknowledges and agrees that it is solely responsible for compliance with all legal, regulatory and safety-related requirements concerning its products, and any use of TI components in its applications, notwithstanding any applications-related information or support that may be provided by TI. Buyer represents and agrees that it has all the necessary expertise to create and implement safeguards which anticipate dangerous consequences of failures, monitor failures and their consequences, lessen the likelihood of failures that might cause harm and take appropriate remedial actions. Buyer will fully indemnify TI and its representatives against any damages arising out of the use of any TI components in safety-critical applications.

In some cases, TI components may be promoted specifically to facilitate safety-related applications. With such components, TI's goal is to help enable customers to design and create their own end-product solutions that meet applicable functional safety standards and requirements. Nonetheless, such components are subject to these terms.

No TI components are authorized for use in FDA Class III (or similar life-critical medical equipment) unless authorized officers of the parties have executed a special agreement specifically governing such use.

Only those TI components which TI has specifically designated as military grade or "enhanced plastic" are designed and intended for use in military/aerospace applications or environments. Buyer acknowledges and agrees that any military or aerospace use of TI components which have **not** been so designated is solely at the Buyer's risk, and that Buyer is solely responsible for compliance with all legal and regulatory requirements in connection with such use.

TI has specifically designated certain components as meeting ISO/TS16949 requirements, mainly for automotive use. In any case of use of non-designated products, TI will not be responsible for any failure to meet ISO/TS16949.

Products

| | |
|------------------------------|--|
| Audio | www.ti.com/audio |
| Amplifiers | amplifier.ti.com |
| Data Converters | dataconverter.ti.com |
| DLP® Products | www.dlp.com |
| DSP | dsp.ti.com |
| Clocks and Timers | www.ti.com/clocks |
| Interface | interface.ti.com |
| Logic | logic.ti.com |
| Power Mgmt | power.ti.com |
| Microcontrollers | microcontroller.ti.com |
| RFID | www.ti-rfid.com |
| OMAP Applications Processors | www.ti.com/omap |
| Wireless Connectivity | www.ti.com/wirelessconnectivity |

Applications

| | |
|-------------------------------|--|
| Automotive and Transportation | www.ti.com/automotive |
| Communications and Telecom | www.ti.com/communications |
| Computers and Peripherals | www.ti.com/computers |
| Consumer Electronics | www.ti.com/consumer-apps |
| Energy and Lighting | www.ti.com/energy |
| Industrial | www.ti.com/industrial |
| Medical | www.ti.com/medical |
| Security | www.ti.com/security |
| Space, Avionics and Defense | www.ti.com/space-avionics-defense |
| Video and Imaging | www.ti.com/video |

TI E2E Community

e2e.ti.com