

## MSP430FR573x Mixed-Signal Microcontrollers

### 1 Device Overview

#### 1.1 Features

- Embedded Microcontroller
  - 16-Bit RISC Architecture up to 24-MHz Clock
  - Wide Supply Voltage Range (2 V to 3.6 V)
  - –40°C to 85°C Operation
- Optimized Ultra-Low-Power Modes
  - Active Mode: 81.4  $\mu$ A/MHz (Typical)
  - Standby (LPM3 With VLO): 6.3  $\mu$ A (Typical)
  - Real-Time Clock (RTC) (LPM3.5 With Crystal): 1.5  $\mu$ A (Typical)
  - Shutdown (LPM4.5): 0.32  $\mu$ A (Typical)
- Ultra-Low-Power Ferroelectric RAM (FRAM)
  - Up to 16KB of Nonvolatile Memory
  - Ultra-Low-Power Writes
  - Fast Write at 125 ns per Word (16KB in 1 ms)
  - Built-In Error Correction Coding (ECC) and Memory Protection Unit (MPU)
  - Universal Memory = Program + Data + Storage
  - $10^{15}$  Write Cycle Endurance
  - Radiation Resistant and Nonmagnetic
- Intelligent Digital Peripherals
  - 32-Bit Hardware Multiplier (MPY)
  - Three-Channel Internal DMA
  - Real-Time Clock (RTC) With Calendar and Alarm Functions
  - Five 16-Bit Timers With up to Three Capture/Compare Registers
  - 16-Bit Cyclic Redundancy Checker (CRC)
- High-Performance Analog
  - 16-Channel Analog Comparator With Voltage Reference and Programmable Hysteresis
  - 14-Channel 10-Bit Analog-to-Digital Converter (ADC) With Internal Reference and Sample-and-Hold
    - 200 ksp/s at 100- $\mu$ A Consumption
- Enhanced Serial Communication
  - eUSCI\_A0 and eUSCI\_A1 Support:
    - UART With Automatic Baud-Rate Detection
    - IrDA Encode and Decode
    - SPI at Rates up to 10 Mbps
  - eUSCI\_B0 Supports:
    - I<sup>2</sup>C With Multiple-Slave Addressing
    - SPI at Rates up to 10 Mbps
  - Hardware UART Bootloader (BSL)
- Power Management System
  - Fully Integrated LDO
  - Supply Voltage Supervisor for Core and Supply Voltages With Reset Capability
  - Always-On Zero-Power Brownout Detection
  - Serial Onboard Programming With No External Voltage Needed
- Flexible Clock System
  - Fixed-Frequency DCO With Six Selectable Factory-Trimmed Frequencies (Device Dependent)
  - Low-Power Low-Frequency Internal Clock Source (VLO)
  - 32-kHz Crystals (LFXT)
  - High-Frequency Crystals (HFXT)
- Development Tools and Software
  - Free Professional Development Environment ([Code Composer Studio™ IDE](#))
  - Low-Cost Full-Featured Kit ([MSP-EXP430FR5739](#))
  - Full Development Kit ([MSP-FET430U40A](#))
  - Target Board ([MSP-TS430RHA40A](#))
- Family Members
  - See [Table 3-1](#) for Available Device Variants and Packages
  - For Complete Module Descriptions, See the [MSP430FR57xx Family User's Guide](#)

#### 1.2 Applications

- Home Automation
- Security
- Sensor Management
- Data Acquisition

**CAUTION** These products use FRAM nonvolatile memory technology. FRAM retention is sensitive to extreme temperatures, such as those experienced during reflow or hand soldering. See [Absolute Maximum Ratings](#) for more information.

**CAUTION** System-level ESD protection must be applied in compliance with the device-level ESD specification to prevent electrical overstress or disturb of data or code memory. See the application report *MSP430™ System-Level ESD Considerations* ([SLAA530](#)) for more information.



### 1.3 Description

The TI MSP430FR573x family of ultra-low-power microcontrollers consists of multiple devices that feature embedded FRAM nonvolatile memory, ultra-low-power 16-bit MSP430™ CPU, and different peripherals targeted for various applications. The architecture, FRAM, and peripherals, combined with seven low-power modes, are optimized to achieve extended battery life in portable and wireless sensing applications. FRAM is a new nonvolatile memory that combines the speed, flexibility, and endurance of SRAM with the stability and reliability of flash, all at lower total power consumption. Peripherals include a 10-bit ADC, a 16-channel comparator with voltage reference generation and hysteresis capabilities, three enhanced serial channels capable of I<sup>2</sup>C, SPI, or UART protocols, an internal DMA, a hardware multiplier, an RTC, five 16-bit timers, and digital I/Os.

**Device Information<sup>(1)</sup>**

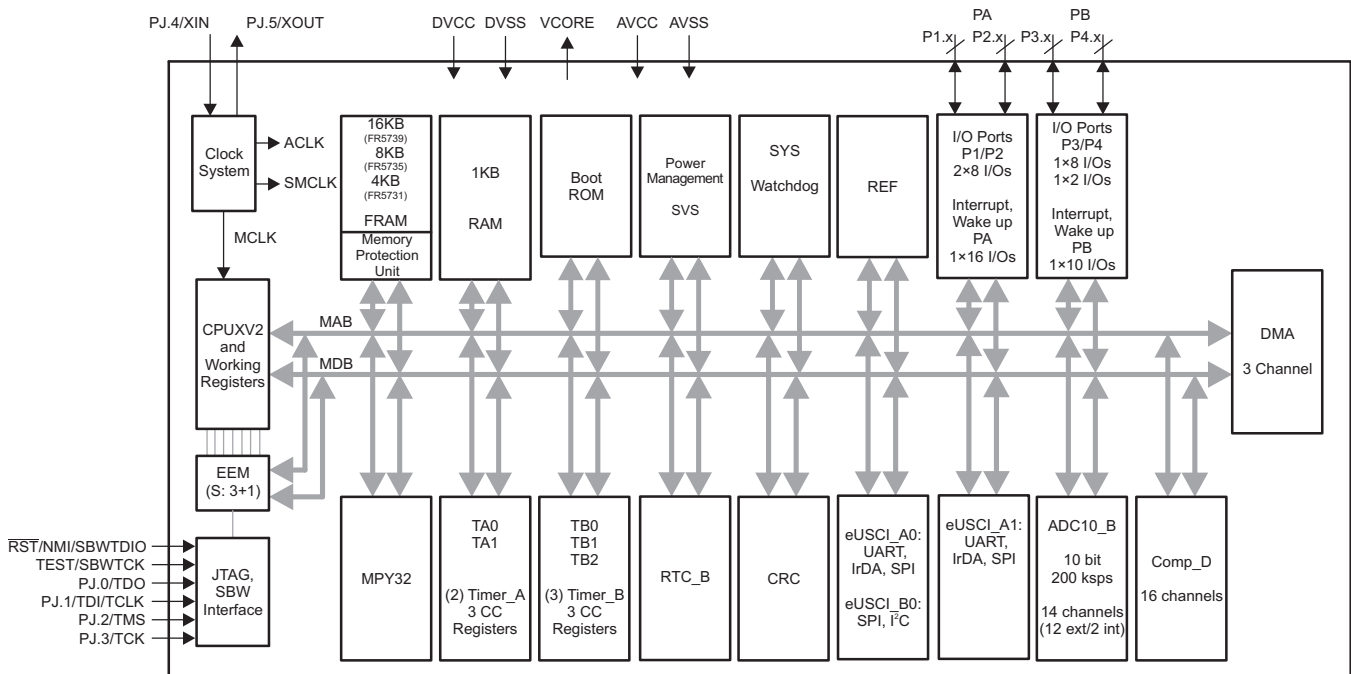
PART NUMBER	PACKAGE	BODY SIZE <sup>(2)</sup>
MSP430FR5739RHA	VQFN (40)	6 mm × 6 mm
MSP430FR5739DA	TSSOP (38)	12.5 mm × 6.2 mm
MSP430FR5738RGE	VQFN (24)	4 mm × 4 mm
MSP430FR5738PW	TSSOP (28)	9.7 mm × 4.4 mm
MSP430FR5738YQD	DSBGA (24)	2 mm × 2 mm

(1) For the most current part, package, and ordering information, see the *Package Option Addendum* in Section 8, or see the TI website at [www.ti.com](http://www.ti.com).

(2) The dimensions shown here are approximations. For the package dimensions with tolerances, see the *Mechanical Data* in Section 8.

### 1.4 Functional Block Diagram

Figure 1-1 shows the functional block diagram for the MSP430FR5731, MSP430FR5735, and MSP430FR5739 devices in the RHA package. For the functional block diagrams for all device variants and package options, see Section 6.1.



Copyright © 2016, Texas Instruments Incorporated

**Figure 1-1. Functional Block Diagram – RHA Package – MSP430FR5731, MSP430FR5735, MSP430FR5739**

## Table of Contents

<b>1</b>	<b>Device Overview</b>	<b><a href="#">1</a></b>	5.18	PMM, Core Voltage	<a href="#">27</a>
1.1	Features	<a href="#">1</a>	5.19	PMM, SVS, BOR	<a href="#">27</a>
1.2	Applications	<a href="#">1</a>	5.20	Wake-up Times From Low-Power Modes	<a href="#">27</a>
1.3	Description	<a href="#">2</a>	5.21	Timer_A	<a href="#">28</a>
1.4	Functional Block Diagram	<a href="#">2</a>	5.22	Timer_B	<a href="#">28</a>
<b>2</b>	<b>Revision History</b>	<b><a href="#">4</a></b>	5.23	eUSCI (UART Mode) Clock Frequency	<a href="#">28</a>
<b>3</b>	<b>Device Comparison</b>	<b><a href="#">5</a></b>	5.24	eUSCI (UART Mode)	<a href="#">28</a>
3.1	Related Products	<a href="#">6</a>	5.25	eUSCI (SPI Master Mode) Clock Frequency	<a href="#">29</a>
<b>4</b>	<b>Terminal Configuration and Functions</b>	<b><a href="#">7</a></b>	5.26	eUSCI (SPI Master Mode)	<a href="#">29</a>
4.1	Pin Diagram – RHA Package – MSP430FR5731, MSP430FR5733, MSP430FR5735, MSP430FR5737, MSP430FR5739	<a href="#">7</a>	5.27	eUSCI (SPI Slave Mode)	<a href="#">31</a>
4.2	Pin Diagram – DA Package – MSP430FR5731, MSP430FR5733, MSP430FR5735, MSP430FR5737, MSP430FR5739	<a href="#">8</a>	5.28	eUSCI (I <sup>2</sup> C Mode)	<a href="#">33</a>
4.3	Pin Diagram – RGE Package – MSP430FR5730, MSP430FR5732, MSP430FR5734, MSP430FR5736, MSP430FR5738	<a href="#">8</a>	5.29	10-Bit ADC, Power Supply and Input Range Conditions	<a href="#">34</a>
4.4	Pin Diagram – YQD Package – MSP430FR5738	<a href="#">9</a>	5.30	10-Bit ADC, Timing Parameters	<a href="#">34</a>
4.5	Pin Diagram – PW Package – MSP430FR5730, MSP430FR5732, MSP430FR5734, MSP430FR5736, MSP430FR5738	<a href="#">9</a>	5.31	10-Bit ADC, Linearity Parameters	<a href="#">34</a>
4.6	Signal Descriptions	<a href="#">10</a>	5.32	REF, External Reference	<a href="#">35</a>
<b>5</b>	<b>Specifications</b>	<b><a href="#">15</a></b>	5.33	REF, Built-In Reference	<a href="#">35</a>
5.1	Absolute Maximum Ratings	<a href="#">15</a>	5.34	REF, Temperature Sensor and Built-In V <sub>MID</sub>	<a href="#">36</a>
5.2	ESD Ratings	<a href="#">15</a>	5.35	Comparator_D	<a href="#">37</a>
5.3	Recommended Operating Conditions	<a href="#">15</a>	5.36	FRAM	<a href="#">37</a>
5.4	Active Mode Supply Current Into V <sub>CC</sub> Excluding External Current	<a href="#">16</a>	5.37	JTAG and Spy-Bi-Wire Interface	<a href="#">38</a>
5.5	Low-Power Mode Supply Currents (Into V <sub>CC</sub> ) Excluding External Current	<a href="#">17</a>	<b>6</b>	<b>Detailed Description</b>	<b><a href="#">39</a></b>
5.6	Thermal Resistance Characteristics	<a href="#">18</a>	6.1	Functional Block Diagrams	<a href="#">39</a>
5.7	Schmitt-Trigger Inputs – General-Purpose I/O (P1.0 to P1.7, P2.0 to P2.7, P3.0 to P3.7, P4.0 to P4.1, PJ.0 to PJ.5, $\overline{\text{RST}}/\text{NMI}$ )	<a href="#">19</a>	6.2	CPU	<a href="#">44</a>
5.8	Inputs – Ports P1 and P2 (P1.0 to P1.7, P2.0 to P2.7)	<a href="#">19</a>	6.3	Operating Modes	<a href="#">44</a>
5.9	Leakage Current – General-Purpose I/O (P1.0 to P1.7, P2.0 to P2.7, P3.0 to P3.7, P4.0 to P4.1, PJ.0 to PJ.5, $\overline{\text{RST}}/\text{NMI}$ )	<a href="#">19</a>	6.4	Interrupt Vector Addresses	<a href="#">45</a>
5.10	Outputs – General-Purpose I/O (P1.0 to P1.7, P2.0 to P2.7, P3.0 to P3.7, P4.0 to P4.1, PJ.0 to PJ.5)	<a href="#">20</a>	6.5	Memory Organization	<a href="#">47</a>
5.11	Output Frequency – General-Purpose I/O (P1.0 to P1.7, P2.0 to P2.7, P3.0 to P3.7, P4.0 to P4.1, PJ.0 to PJ.5)	<a href="#">20</a>	6.6	Bootloader (BSL)	<a href="#">48</a>
5.12	Typical Characteristics – Outputs	<a href="#">21</a>	6.7	JTAG Operation	<a href="#">48</a>
5.13	Crystal Oscillator, XT1, Low-Frequency (LF) Mode	<a href="#">23</a>	6.8	FRAM	<a href="#">49</a>
5.14	Crystal Oscillator, XT1, High-Frequency (HF) Mode	<a href="#">24</a>	6.9	Memory Protection Unit (MPU)	<a href="#">49</a>
5.15	Internal Very-Low-Power Low-Frequency Oscillator (VLO)	<a href="#">25</a>	6.10	Peripherals	<a href="#">49</a>
5.16	DCO Frequencies	<a href="#">26</a>	6.11	Input/Output Diagrams	<a href="#">69</a>
5.17	MODOSC	<a href="#">26</a>	6.12	Device Descriptors (TLV)	<a href="#">89</a>
			<b>7</b>	<b>Device and Documentation Support</b>	<b><a href="#">92</a></b>
			7.1	Getting Started	<a href="#">92</a>
			7.2	Device Nomenclature	<a href="#">92</a>
			7.3	Tools and Software	<a href="#">94</a>
			7.4	Documentation Support	<a href="#">96</a>
			7.5	Related Links	<a href="#">98</a>
			7.6	Community Resources	<a href="#">98</a>
			7.7	Trademarks	<a href="#">98</a>
			7.8	Electrostatic Discharge Caution	<a href="#">98</a>
			7.9	Export Control Notice	<a href="#">98</a>
			7.10	Glossary	<a href="#">99</a>
			<b>8</b>	<b>Mechanical, Packaging, and Orderable Information</b>	<b><a href="#">99</a></b>
			8.1	Packaging Information	<a href="#">99</a>

## 2 Revision History

NOTE: Page numbers for previous revisions may differ from page numbers in the current version.

Changes from June 15, 2014 to April 25, 2016	Page
• Added <a href="#">Section 3.1, Related Products</a> .....	<a href="#">6</a>
• Changed all ball coordinates on YQD package (rotated package relative to prior orientation) .....	<a href="#">9</a>
• Changed all ball coordinates for the YQD package in <a href="#">Table 4-1, Signal Descriptions</a> .....	<a href="#">10</a>
• Moved $T_{stg}$ to <i>Absolute Maximum Ratings</i> , and removed <i>Handling Ratings</i> table.....	<a href="#">15</a>
• Added <a href="#">Section 5.2, ESD Ratings</a> .....	<a href="#">15</a>
• Added <a href="#">Section 5.6, Thermal Resistance Characteristics</a> .....	<a href="#">18</a>
• Changed the note that starts "Tools that access the Spy-Bi-Wire and BSL interfaces..." .....	<a href="#">38</a>
• Changed all cases of "bootstrap loader" to "bootloader".....	<a href="#">48</a>
• Corrected spelling of NMIIFG in <a href="#">Table 6-6, System Module Interrupt Vector Registers</a> .....	<a href="#">51</a>
• Changed ball coordinates for the YQD package in <a href="#">Table 6-8, TA0 Signal Connections</a> .....	<a href="#">53</a>
• Changed ball coordinates for the YQD package in <a href="#">Table 6-9, TA1 Signal Connections</a> .....	<a href="#">54</a>
• Changed ball coordinates for the YQD package in <a href="#">Table 6-10, TB0 Signal Connections</a> .....	<a href="#">55</a>
• Moved and changed the title of <a href="#">Section 6.11, Input/Output Diagrams</a> .....	<a href="#">69</a>
• Switched P1SEL0.x and P1SEL1.x in P1.0 to P1.2 schematic to show correct inputs to multiplexers.....	<a href="#">69</a>
• Switched P1SEL0.x and P1SEL1.x in P1.3 to P1.5 schematic to show correct inputs to multiplexers.....	<a href="#">71</a>
• Switched P1SEL0.x and P1SEL1.x in P1.6 and P1.7 schematic to show correct inputs to multiplexers.....	<a href="#">73</a>
• Switched P2SEL0.x and P2SEL1.x in P2.0 to P2.2 schematic to show correct inputs to multiplexers.....	<a href="#">74</a>
• Switched P2SEL0.x and P2SEL1.x in P2.3 and P2.4 schematic to show correct inputs to multiplexers.....	<a href="#">75</a>
• Switched P2SEL0.x and P2SEL1.x in P2.5 and P2.6 schematic to show correct inputs to multiplexers.....	<a href="#">77</a>
• Switched P2SEL0.x and P2SEL1.x in P2.7 schematic to show correct inputs to multiplexers .....	<a href="#">78</a>
• Switched P3SEL0.x and P3SEL1.x in P3.0 to P3.3 schematic to show correct inputs to multiplexers.....	<a href="#">79</a>
• Switched P3SEL0.x and P3SEL1.x in P3.4 to P3.6 schematic to show correct inputs to multiplexers.....	<a href="#">81</a>
• Switched P3SEL0.x and P3SEL1.x in P3.7 schematic to show correct inputs to multiplexers .....	<a href="#">82</a>
• Switched P4SEL0.x and P4SEL1.x in P4.0 schematic to show correct inputs to multiplexers .....	<a href="#">83</a>
• Switched P4SEL0.x and P4SEL1.x in P4.1 schematic to show correct inputs to multiplexers .....	<a href="#">84</a>
• Switched PJSEL0.x and PJSEL1.x in PJ.0 to PJ.2 schematic to show correct inputs to multiplexers .....	<a href="#">85</a>
• Switched PJSEL0.x and PJSEL1.x in PJ.3 schematic to show correct inputs to multiplexers.....	<a href="#">85</a>
• Switched PJSEL0.4 and PJSEL1.4 in PJ.4 schematic to show correct inputs to multiplexers .....	<a href="#">87</a>
• Switched PJSEL0.5 and PJSEL1.5 in PJ.5 schematic to show correct inputs to multiplexers .....	<a href="#">88</a>
• Moved <a href="#">Section 6.12, Device Descriptors (TLV)</a> .....	<a href="#">89</a>
• Replaced former section <i>Development Tools Support</i> with <a href="#">Section 7.3, Tools and Software</a> .....	<a href="#">94</a>
• Updated <a href="#">Section 7.4, Documentation Support</a> .....	<a href="#">96</a>

### 3 Device Comparison

Table 3-1 summarizes the available family members.

Table 3-1. Family Members<sup>(1)(2)</sup>

DEVICE	FRAM (KB)	SRAM (KB)	SYSTEM CLOCK (MHz)	ADC10_B	Comp_D	Timer_A <sup>(3)</sup>	Timer_B <sup>(4)</sup>	eUSCI		I/O	PACKAGE
								Channel A: UART, IrDA, SPI	Channel B: SPI, I <sup>2</sup> C		
MSP430FR5739	16	1	24	12 ext, 2 int ch.	16 ch.	3, 3	3, 3, 3	2	1	32	RHA
										30	DA
MSP430FR5738	16	1	24	6 ext, 2 int ch.	10 ch.	3, 3	3	1	1	17	RGE
				8 ext, 2 int ch.	12 ch.					21	PW
				6 ext, 2 int ch.	10 ch.					17	YQD
MSP430FR5737	16	1	24	–	16 ch.	3, 3	3, 3, 3	2	1	32	RHA
										30	DA
MSP430FR5736	16	1	24	–	10 ch.	3, 3	3	1	1	17	RGE
					12 ch.					21	PW
MSP430FR5735	8	1	24	12 ext, 2 int ch.	16 ch.	3, 3	3, 3, 3	2	1	32	RHA
MSP430FR5734	8	1	24	6 ext, 2 int ch.	10 ch.	3, 3	3	1	1	17	RGE
				8 ext, 2 int ch.	12 ch.					21	PW
MSP430FR5733	8	1	24	–	16 ch.	3, 3	3, 3, 3	2	1	32	RHA
										30	DA
MSP430FR5732	8	1	24	–	10 ch.	3, 3	3	1	1	17	RGE
					12 ch.					21	PW
MSP430FR5731	4	1	24	12 ext, 2 int ch.	16 ch.	3, 3	3, 3, 3	2	1	32	RHA
MSP430FR5730	4	1	24	6 ext, 2 int ch.	10 ch.	3, 3	3	1	1	17	RGE
				8 ext, 2 int ch.	12 ch.					21	PW

- (1) For the most current package and ordering information, see the Package Option Addendum in Section 8, or see the TI website at [www.ti.com](http://www.ti.com).
- (2) Package drawings, standard packing quantities, thermal data, symbolization, and PCB design guidelines are available at [www.ti.com/packaging](http://www.ti.com/packaging).
- (3) Each number in the sequence represents an instantiation of Timer\_A with its associated number of capture/compare registers and PWM output generators available. For example, a number sequence of 3, 5 would represent two instantiations of Timer\_A, the first instantiation having 3 and the second instantiation having 5 capture/compare registers and PWM output generators, respectively.
- (4) Each number in the sequence represents an instantiation of Timer\_B with its associated number of capture/compare registers and PWM output generators available. For example, a number sequence of 3, 5 would represent two instantiations of Timer\_B, the first instantiation having 3 and the second instantiation having 5 capture/compare registers and PWM output generators, respectively.

### 3.1 Related Products

For information about other devices in this family of products or related products, see the following links.

**Products for MSP 16-Bit and 32-Bit MCUs** Low-power mixed-signal processors with smart analog and digital peripherals for a wide range of industrial and consumer applications.

**Products for Ultra-Low-Power MCUs** MSP Ultra-Low-Power microcontrollers (MCUs) from Texas Instruments (TI) offer the lowest power consumption and the perfect mix of integrated peripherals for a wide range of low power and portable applications.

**Products for MSP430FRxx FRAM MCUs** 16-bit microcontrollers for ultra-low-power sensing and system management in building automation, smart grid, and industrial designs.

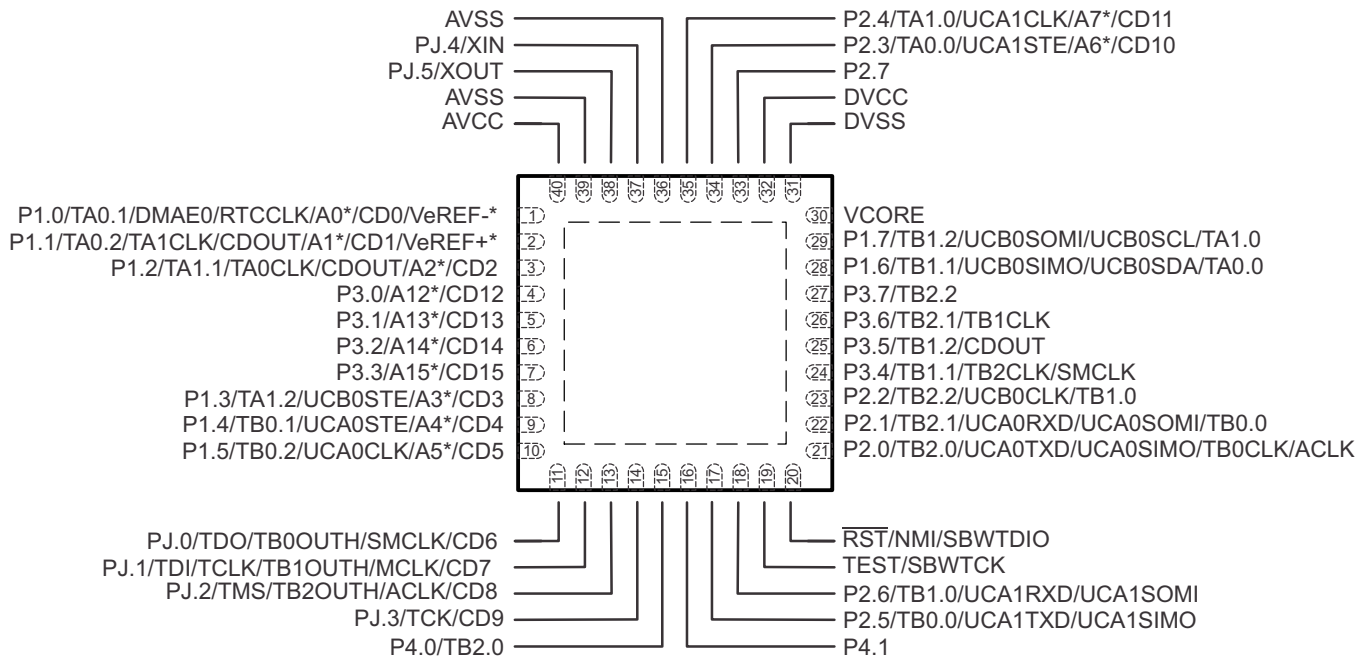
**Companion Products for MSP430FR5739** Review products that are frequently purchased or used in conjunction with this product.

**Reference Designs for MSP430FR5739** TI Designs Reference Design Library is a robust reference design library that spans analog, embedded processor, and connectivity. Created by TI experts to help you jump start your system design, all TI Designs include schematic or block diagrams, BOMs, and design files to speed your time to market. Search and download designs at [ti.com/tidesigns](http://ti.com/tidesigns).

## 4 Terminal Configuration and Functions

### 4.1 Pin Diagram – RHA Package – MSP430FR5731, MSP430FR5733, MSP430FR5735, MSP430FR5737, MSP430FR5739

Figure 4-1 shows the pin diagram for the MSP430FR5731, MSP430FR5733, MSP430FR5735, MSP430FR5737, and MSP430FR5739 devices in the 40-pin RHA package.



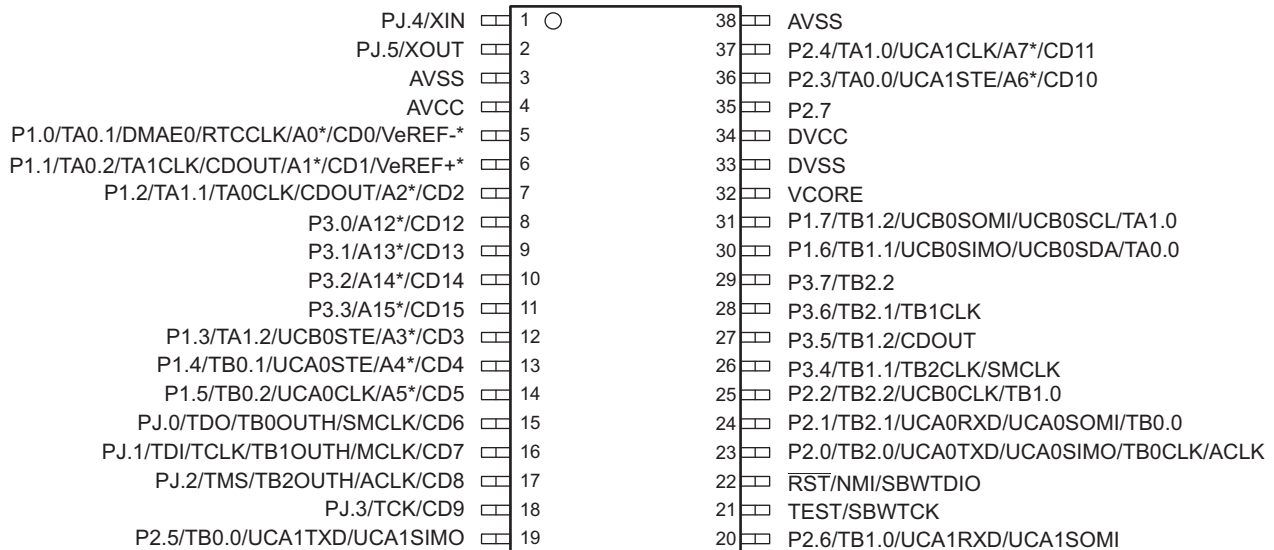
\* Not available on MSP430FR5737, MSP430FR5733

Note: Exposed thermal pad connection to V<sub>SS</sub> recommended.

Figure 4-1. 40-Pin RHA Package (Top View)

#### 4.2 Pin Diagram – DA Package – MSP430FR5731, MSP430FR5733, MSP430FR5735, MSP430FR5737, MSP430FR5739

Figure 4-2 shows the pin diagram for the MSP430FR5731, MSP430FR5733, MSP430FR5735, MSP430FR5737, and MSP430FR5739 devices in the 38-pin DA package.

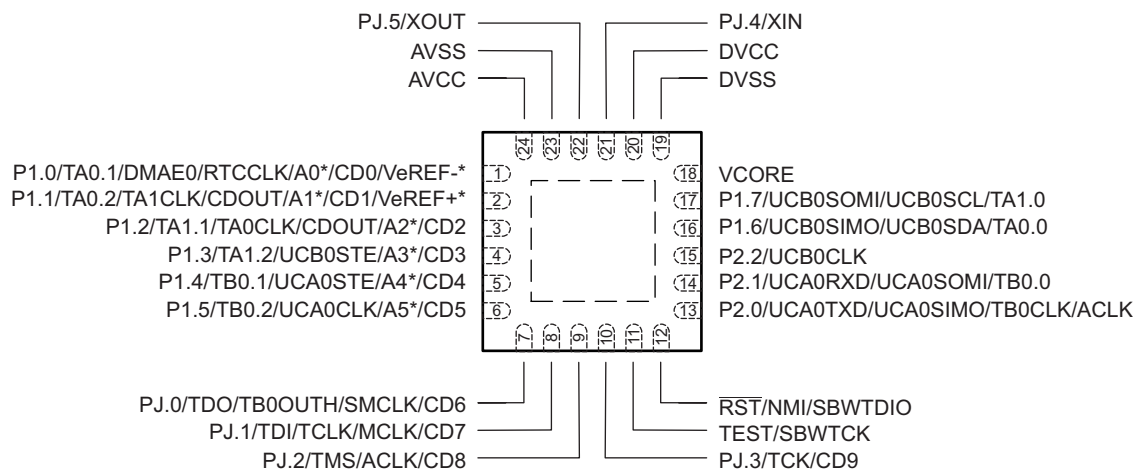


\* Not available on MSP430FR5737, MSP430FR5733

Figure 4-2. 38-Pin DA Package (Top View)

#### 4.3 Pin Diagram – RGE Package – MSP430FR5730, MSP430FR5732, MSP430FR5734, MSP430FR5736, MSP430FR5738

Figure 4-3 shows the pin diagram for the MSP430FR5730, MSP430FR5732, MSP430FR5734, MSP430FR5736, and MSP430FR5738 devices in the 24-pin RGE package.



\* Not available on MSP430FR5736, MSP430FR5732

Note: Exposed thermal pad connection to  $V_{SS}$  recommended.

Figure 4-3. 24-Pin RGE Package (Top View)



#### 4.4 Pin Diagram – YQD Package – MSP430FR5738

Figure 4-4 shows the pin diagram for the MSP430FR5738 device in the 24-pin YQD package,

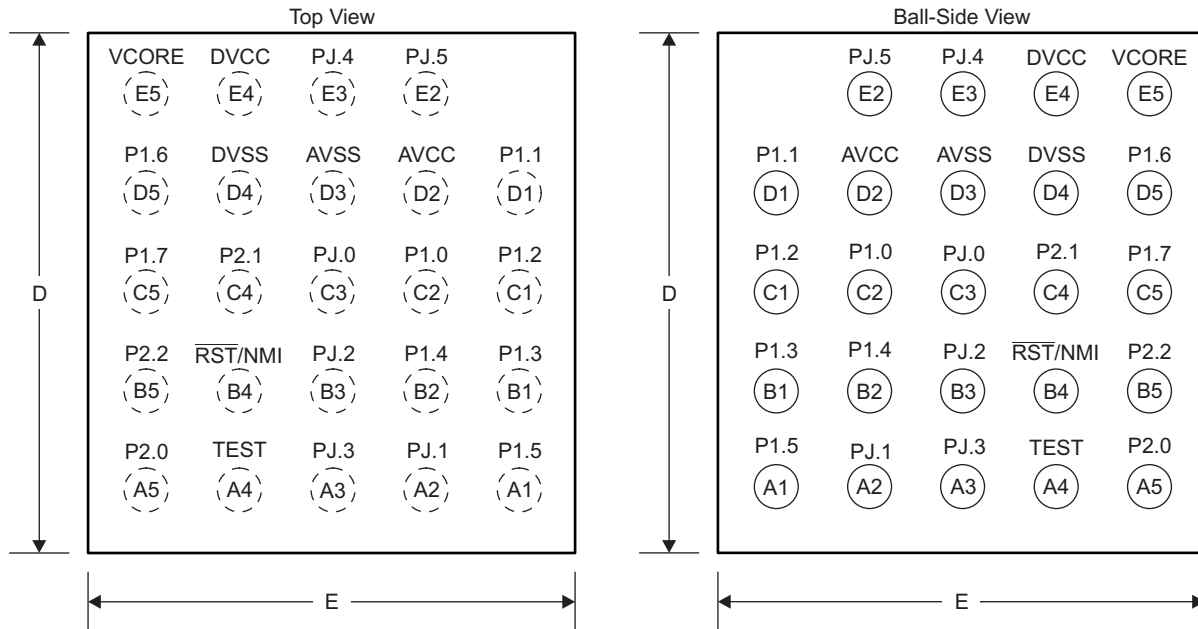
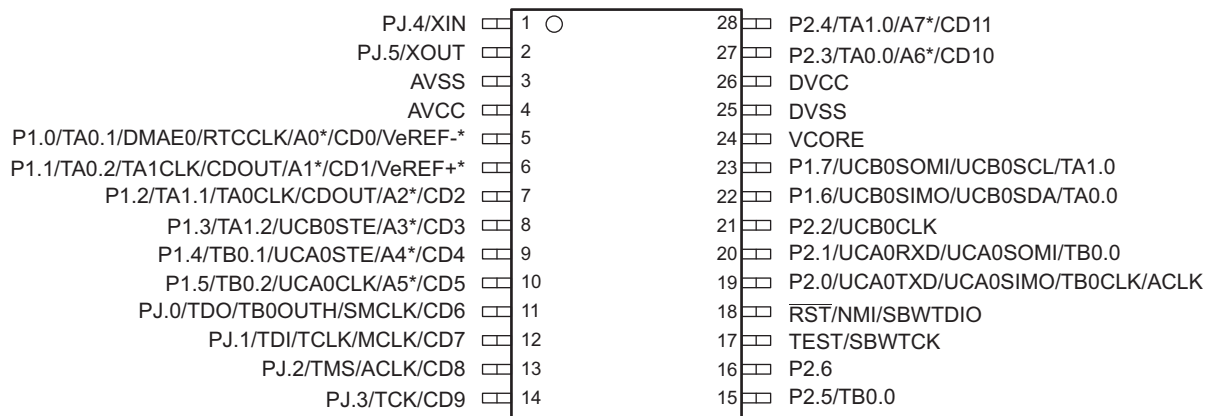


Figure 4-4. 24-Pin YQD Package

#### 4.5 Pin Diagram – PW Package – MSP430FR5730, MSP430FR5732, MSP430FR5734, MSP430FR5736, MSP430FR5738

Figure 4-5 shows the pin diagram for the MSP430FR5730, MSP430FR5732, MSP430FR5734, MSP430FR5736, and MSP430FR5738 devices in the 28-pin PW package.



\* Not available on MSP430FR5736, MSP430FR5732

Figure 4-5. 28-Pin PW Package (Top View)

## 4.6 Signal Descriptions

Table 4-1 describes the signals for all device variants and packages.

**Table 4-1. Signal Descriptions**

NAME	TERMINAL					I/O (1)	DESCRIPTION
	RHA	RGE	DA	PW	YQD		
P1.0/TA0.1/DMAE0/ RTCCLK/A0/CD0/VerEF-	1	1	5	5	C2	I/O	General-purpose digital I/O with port interrupt and wake up from LPMx.5 TA0 CCR1 capture: CCI1A input, compare: Out1 External DMA trigger RTC clock calibration output Analog input A0 – ADC (not available on devices without ADC) Comparator_D input CD0 External applied reference voltage (not available on devices without ADC)
P1.1/TA0.2/TA1CLK/ CDOOUT/A1/CD1/VerEF+	2	2	6	6	D1	I/O	General-purpose digital I/O with port interrupt and wake up from LPMx.5 TA0 CCR2 capture: CCI2A input, compare: Out2 TA1 input clock Comparator_D output Analog input A1 – ADC (not available on devices without ADC) Comparator_D input CD1 Input for an external reference voltage to the ADC (not available on devices without ADC)
P1.2/TA1.1/TA0CLK/ CDOOUT/A2/CD2	3	3	7	7	C1	I/O	General-purpose digital I/O with port interrupt and wake up from LPMx.5 TA1 CCR1 capture: CCI1A input, compare: Out1 TA0 input clock Comparator_D output Analog input A2 – ADC (not available on devices without ADC) Comparator_D input CD2
P3.0/A12/CD12	4	N/A	8	N/A	N/A	I/O	General-purpose digital I/O with port interrupt and wake up from LPMx.5 (not available on package options PW, RGE, YQD) Analog input A12 – ADC (not available on devices without ADC or package options PW, RGE, YQD) Comparator_D input CD12 (not available on package options PW, RGE, YQD)
P3.1/A13/CD13	5	N/A	9	N/A	N/A	I/O	General-purpose digital I/O with port interrupt and wake up from LPMx.5 (not available on package options PW, RGE, YQD) Analog input A13 – ADC (not available on devices without ADC or package options PW, RGE, YQD) Comparator_D input CD13 (not available on package options PW, RGE, YQD)
P3.2/A14/CD14	6	N/A	10	N/A	N/A	I/O	General-purpose digital I/O with port interrupt and wake up from LPMx.5 (not available on package options PW, RGE, YQD) Analog input A14 – ADC (not available on devices without ADC or package options PW, RGE, YQD) Comparator_D input CD14 (not available on package options PW, RGE, YQD)

(1) I = input, O = output, N/A = not available

**Table 4-1. Signal Descriptions (continued)**

NAME	TERMINAL					I/O (1)	DESCRIPTION
	RHA	RGE	DA	PW	YQD		
P3.3/A15/CD15	7	N/A	11	N/A	N/A	I/O	General-purpose digital I/O with port interrupt and wake up from LPMx.5 (not available on package options PW, RGE, YQD) Analog input A15 – ADC (not available on devices without ADC or package options PW, RGE, YQD) Comparator_D input CD15 (not available on package options PW, RGE, YQD)
P1.3/TA1.2/UCB0STE/ A3/CD3	8	4	12	8	B1	I/O	General-purpose digital I/O with port interrupt and wake up from LPMx.5 TA1 CCR2 capture: CCI2A input, compare: Out2 Slave transmit enable – eUSCI_B0 SPI mode Analog input A3 – ADC (not available on devices without ADC) Comparator_D input CD3
P1.4/TB0.1/UCA0STE/ A4/CD4	9	5	13	9	B2	I/O	General-purpose digital I/O with port interrupt and wake up from LPMx.5 TB0 CCR1 capture: CCI1A input, compare: Out1 Slave transmit enable – eUSCI_A0 SPI mode Analog input A4 – ADC (not available on devices without ADC) Comparator_D input CD4
P1.5/TB0.2/UCA0CLK/ A5/CD5	10	6	14	10	A1	I/O	General-purpose digital I/O with port interrupt and wake up from LPMx.5 TB0 CCR2 capture: CCI2A input, compare: Out2 Clock signal input – eUSCI_A0 SPI slave mode, Clock signal output – eUSCI_A0 SPI master mode Analog input A5 – ADC (not available on devices without ADC) Comparator_D input CD5
PJ.0/TDO/TB0OUTH/ SMCLK/CD6 (2)	11	7	15	11	C3	I/O	General-purpose digital I/O Test data output port Switch all PWM outputs high impedance input – TB0 SMCLK output Comparator_D input CD6
PJ.1/TDI/TCLK/TB1OUTH/ MCLK/CD7 (2)	12	8	16	12	A2	I/O	General-purpose digital I/O Test data input or test clock input Switch all PWM outputs high impedance input – TB1 (not available on devices without TB1) MCLK output Comparator_D input CD7
PJ.2/TMS/TB2OUTH/ ACLK/CD8 (2)	13	9	17	13	B3	I/O	General-purpose digital I/O Test mode select Switch all PWM outputs high impedance input – TB2 (not available on devices without TB2) ACLK output Comparator_D input CD8
PJ.3/TCK/CD9 (2)	14	10	18	14	A3	I/O	General-purpose digital I/O Test clock Comparator_D input CD9

(2) See Section 6.7 for use with JTAG function.

**Table 4-1. Signal Descriptions (continued)**

NAME	TERMINAL					I/O (1)	DESCRIPTION
	RHA	RGE	NO. DA	PW	YQD		
P4.0/TB2.0	15	N/A	N/A	N/A	N/A	I/O	General-purpose digital I/O with port interrupt and wake up from LPMx.5 (not available on package options PW, RGE, YQD) TB2 CCR0 capture: CCI0B input, compare: Out0 (not available on devices without TB2 or package options DA, PW, RGE, YQD)
P4.1	16	N/A	N/A	N/A	N/A	I/O	General-purpose digital I/O with port interrupt and wake up from LPMx.5 (not available on package options DA, PW, RGE, YQD)
P2.5/TB0.0/UCA1TXD/ UCA1SIMO	17	N/A	19	15	N/A	I/O	General-purpose digital I/O with port interrupt and wake up from LPMx.5 TB0 CCR0 capture: CCI0A input, compare: Out0 Transmit data – eUSCI_A1 UART mode, Slave in, master out – eUSCI_A1 SPI mode (not available on devices without UCSI_A1)
P2.6/TB1.0/UCA1RXD/ UCA1SOMI	18	N/A	20	16	N/A	I/O	General-purpose digital I/O with port interrupt and wake up from LPMx.5 TB1 CCR0 capture: CCI0A input, compare: Out0 (not available on devices without TB1) Receive data – eUSCI_A1 UART mode, Slave out, master in – eUSCI_A1 SPI mode (not available on devices without UCSI_A1)
TEST/SBWTCK <sup>(2)</sup> <sup>(3)</sup>	19	11	21	17	A4	I	Test mode pin – enable JTAG pins Spy-Bi-Wire input clock
$\overline{\text{RST}}$ /NMI/SBWDIO <sup>(2)</sup> <sup>(3)</sup>	20	12	22	18	B4	I/O	Reset input active low Non-maskable interrupt input Spy-Bi-Wire data input/output
P2.0/TB2.0/UCA0TXD/ UCA0SIMO/TB0CLK/ ACLK <sup>(3)</sup>	21	13	23	19	A5	I/O	General-purpose digital I/O with port interrupt and wake up from LPMx.5 TB2 CCR0 capture: CCI0A input, compare: Out0 (not available on devices without TB2) Transmit data – eUSCI_A0 UART mode Slave in, master out – eUSCI_A0 SPI mode TB0 clock input ACLK output
P2.1/TB2.1/UCA0RXD/ UCA0SOMI/TB0.0 <sup>(3)</sup>	22	14	24	20	C4	I/O	General-purpose digital I/O with port interrupt and wake up from LPMx.5 TB2 CCR1 capture: CCI1A input, compare: Out1 (not available on devices without TB2) Receive data – eUSCI_A0 UART mode Slave out, master in – eUSCI_A0 SPI mode TB0 CCR0 capture: CCI0A input, compare: Out0
P2.2/TB2.2/UCB0CLK/ TB1.0	23	15	25	21	B5	I/O	General-purpose digital I/O with port interrupt and wake up from LPMx.5 TB2 CCR2 capture: CCI2A input, compare: Out2 (not available on devices without TB2) Clock signal input – eUSCI_B0 SPI slave mode, Clock signal output – eUSCI_B0 SPI master mode TB1 CCR0 capture: CCI0A input, compare: Out0 (not available on devices without TB1)

(3) See Section 6.6 and Section 6.7 for use with BSL and JTAG functions.

**Table 4-1. Signal Descriptions (continued)**

NAME	TERMINAL					I/O (1)	DESCRIPTION
	RHA	RGE	NO.				
			DA	PW	YQD		
P3.4/TB1.1/TB2CLK/ SMCLK	24	N/A	26	N/A	N/A	I/O	General-purpose digital I/O with port interrupt and wake up from LPMx.5 (not available on package options PW, RGE, YQD) TB1 CCR1 capture: CCI1B input, compare: Out1 (not available on devices without TB1) TB2 clock input (not available on devices without TB2 or package options PW, RGE, YQD) SMCLK output (not available on package options PW, RGE, YQD)
P3.5/TB1.2/CDOOUT	25	N/A	27	N/A	N/A	I/O	General-purpose digital I/O with port interrupt and wake up from LPMx.5 (not available on package options PW, RGE, YQD) TB1 CCR2 capture: CCI2B input, compare: Out2 (not available on devices without TB1) Comparator_D output (not available on package options PW, RGE, YQD)
P3.6/TB2.1/TB1CLK	26	N/A	28	N/A	N/A	I/O	General-purpose digital I/O with port interrupt and wake up from LPMx.5 (not available on package options PW, RGE, YQD) TB2 CCR1 capture: CCI1B input, compare: Out1 (not available on devices without TB2) TB1 clock input (not available on devices without TB1 or package options PW, RGE, YQD)
P3.7/TB2.2	27	N/A	29	N/A	N/A	I/O	General-purpose digital I/O with port interrupt and wake up from LPMx.5 (not available on package options PW, RGE, YQD) TB2 CCR2 capture: CCI2B input, compare: Out2 (not available on devices without TB2 or package options PW, RGE, YQD)
P1.6/TB1.1/UCB0SIMO/ UCB0SDA/TA0.0	28	16	30	22	D5	I/O	General-purpose digital I/O with port interrupt and wake up from LPMx.5 TB1 CCR1 capture: CCI1A input, compare: Out1 (not available on devices without TB1) Slave in, master out – eUSCI_B0 SPI mode I <sup>2</sup> C data – eUSCI_B0 I <sup>2</sup> C mode TA0 CCR0 capture: CCI0A input, compare: Out0
P1.7/TB1.2/UCB0SOMI/ UCB0SCL/TA1.0	29	17	31	23	C5	I/O	General-purpose digital I/O with port interrupt and wake up from LPMx.5 TB1 CCR2 capture: CCI2A input, compare: Out2 (not available on devices without TB1) Slave out, master in – eUSCI_B0 SPI mode I <sup>2</sup> C clock – eUSCI_B0 I <sup>2</sup> C mode TA1 CCR0 capture: CCI0A input, compare: Out0
VCORE <sup>(4)</sup>	30	18	32	24	E5		Regulated core power supply (internal use only, no external current loading)
DVSS	31	19	33	25	D4		Digital ground supply
DVCC	32	20	34	26	E4		Digital power supply
P2.7	33	N/A	35	N/A	N/A	I/O	General-purpose digital I/O with port interrupt and wake up from LPMx.5 (not available on package options PW, RGE)

(4) VCORE is for internal use only. No external current loading is possible. VCORE should only be connected to the recommended capacitor value, C<sub>VCORE</sub>.

**Table 4-1. Signal Descriptions (continued)**

NAME	TERMINAL					I/O (1)	DESCRIPTION
	RHA	RGE	NO. DA	PW	YQD		
P2.3/TA0.0/UCA1STE/ A6/CD10	34	N/A	36	27	N/A	I/O	General-purpose digital I/O with port interrupt and wake up from LPMx.5 (not available on package options RGE, YQD) TA0 CCR0 capture: CCI0B input, compare: Out0 (not available on package options RGE, YQD) Slave transmit enable – eUSCI_A1 SPI mode (not available on devices without eUSCI_A1) Analog input A6 – ADC (not available on devices without ADC) Comparator_D input CD10 (not available on package options RGE, YQD)
P2.4/TA1.0/UCA1CLK/ A7/CD11	35	N/A	37	28	N/A	I/O	General-purpose digital I/O with port interrupt and wake up from LPMx.5 (not available on package options RGE, YQD) TA1 CCR0 capture: CCI0B input, compare: Out0 (not available on package options RGE, YQD) Clock signal input – eUSCI_A1 SPI slave mode, Clock signal output – eUSCI_A1 SPI master mode (not available on devices without eUSCI_A1) Analog input A7 – ADC (not available on devices without ADC) Comparator_D input CD11 (not available on package options RGE, YQD)
AVSS	36	N/A	38	N/A	N/A		Analog ground supply
PJ.4/XIN	37	21	1	1	E3	I/O	General-purpose digital I/O Input terminal for crystal oscillator XT1
PJ.5/XOUT	38	22	2	2	E2	I/O	General-purpose digital I/O Output terminal of crystal oscillator XT1
AVSS	39	23	3	3	D3		Analog ground supply
AVCC	40	24	4	4	D2		Analog power supply
QFN Pad	Pad	Pad	N/A	N/A	N/A		QFN package pad. Connection to VSS recommended.

## 5 Specifications

### 5.1 Absolute Maximum Ratings<sup>(1)</sup>

over operating free-air temperature range (unless otherwise noted)

	MIN	MAX	UNIT
Voltage applied at V <sub>CC</sub> to V <sub>SS</sub>	-0.3	4.1	V
Voltage applied to any pin (excluding V <sub>CORE</sub> ) <sup>(2)</sup>	-0.3	V <sub>CC</sub> + 0.3	V
Diode current at any device pin		±2	mA
Maximum junction temperature, T <sub>J</sub>		95	°C
Storage temperature T <sub>stg</sub> <sup>(3) (4) (5)</sup>	-55	125	°C

- (1) Stresses beyond those listed under *Absolute Maximum Ratings* may cause permanent damage to the device. These are stress ratings only, and functional operation of the device at these or any other conditions beyond those indicated under *Recommended Operating Conditions* is not implied. Exposure to absolute-maximum-rated conditions for extended periods may affect device reliability.
- (2) All voltages referenced to V<sub>SS</sub>. V<sub>CORE</sub> is for internal device use only. No external DC loading or voltage should be applied.
- (3) Data retention on FRAM cannot be ensured when exceeding the specified maximum storage temperature, T<sub>stg</sub>.
- (4) For soldering during board manufacturing, it is required to follow the current JEDEC J-STD-020 specification with peak reflow temperatures not higher than classified on the device label on the shipping boxes or reels.
- (5) Programming of devices with user application code should only be performed after reflow or hand soldering. Factory programmed information, such as calibration values, are designed to withstand the temperatures reached in the current JEDEC J-STD-020 specification.

### 5.2 ESD Ratings

		VALUE	UNIT
V <sub>(ESD)</sub> Electrostatic discharge	Human-body model (HBM), per ANSI/ESDA/JEDEC JS-001 <sup>(1)</sup>	±1000	V
	Charged-device model (CDM), per JEDEC specification JESD22-C101 <sup>(2)</sup>	±250	

- (1) JEDEC document JEP155 states that 500-V HBM allows safe manufacturing with a standard ESD control process. Pins listed as ±1000 V may actually have higher performance.
- (2) JEDEC document JEP157 states that 250-V CDM allows safe manufacturing with a standard ESD control process. Pins listed as ±250 V may actually have higher performance.

### 5.3 Recommended Operating Conditions

Typical values are specified at V<sub>CC</sub> = 3.3 V and T<sub>A</sub> = 25°C (unless otherwise noted)

		MIN	NOM	MAX	UNIT	
V <sub>CC</sub>	Supply voltage during program execution and FRAM programming (AVCC = DVCC) <sup>(1)</sup>	2.0		3.6	V	
V <sub>SS</sub>	Supply voltage (AVSS = DVSS)		0		V	
T <sub>A</sub>	Operating free-air temperature	-40		85	°C	
T <sub>J</sub>	Operating junction temperature	-40		85	°C	
C <sub>VCORE</sub>	Required capacitor at V <sub>CORE</sub> <sup>(2)</sup>		470		nF	
C <sub>VCC</sub> / C <sub>VCORE</sub>	Capacitor ratio of V <sub>CC</sub> to V <sub>CORE</sub>	10				
f <sub>SYSTEM</sub>	Processor frequency (maximum MCLK frequency) <sup>(3)</sup>	No FRAM wait states <sup>(4)</sup> , 2 V ≤ V <sub>CC</sub> ≤ 3.6 V		0	8.0	MHz
		With FRAM wait states <sup>(4)</sup> , NACCESS = {2}, NPRECHG = {1}, 2 V ≤ V <sub>CC</sub> ≤ 3.6 V		0	24.0	

- (1) TI recommends powering AVCC and DVCC from the same source. A maximum difference of 0.3 V between AVCC and DVCC can be tolerated during power up and operation.
- (2) A capacitor tolerance of ±20% or better is required.
- (3) Modules may have a different maximum input clock specification. See the specification of the respective module in this data sheet.
- (4) When using manual wait state control, see the *MSP430FR57xx Family User's Guide* for recommended settings for common system frequencies.

### 5.4 Active Mode Supply Current Into V<sub>CC</sub> Excluding External Current

over recommended operating free-air temperature (unless otherwise noted)<sup>(1)</sup> <sup>(2)</sup> <sup>(3)</sup>

PARAMETER	EXECUTION MEMORY	V <sub>CC</sub>	Frequency (f <sub>MCLK</sub> = f <sub>SMCLK</sub> ) <sup>(4)</sup>												UNIT
			1 MHz		4 MHz		8 MHz		16 MHz		20 MHz		24 MHz		
			TYP	MAX	TYP	MAX	TYP	MAX	TYP	MAX	TYP	MAX	TYP	MAX	
I <sub>AM, FRAM_UNI</sub> <sup>(5)</sup>	FRAM	3 V	0.27		0.58		1.0		1.53		1.9		2.2		mA
I <sub>AM,0%</sub> <sup>(6)</sup>	FRAM 0% cache hit ratio	3 V	0.42	0.73	1.2	1.6	2.2	2.8	2.3	2.9	2.8	3.6	3.45	4.3	mA
I <sub>AM,50%</sub> <sup>(6) (7)</sup>	FRAM 50% cache hit ratio	3 V	0.31		0.73		1.3		1.75		2.1		2.5		mA
I <sub>AM,66%</sub> <sup>(6) (7)</sup>	FRAM 66% cache hit ratio	3 V	0.27		0.58		1.0		1.55		1.9		2.2		mA
I <sub>AM,75%</sub> <sup>(6) (7)</sup>	FRAM 75% cache hit ratio	3 V	0.25		0.5		0.82		1.3		1.6		1.8		mA
I <sub>AM,100%</sub> <sup>(6) (7)</sup>	FRAM 100% cache hit ratio	3 V	0.2	0.43	0.3	0.55	0.42	0.8	0.73	1.15	0.88	1.3	1.0	1.5	mA
I <sub>AM, RAM</sub> <sup>(7) (8)</sup>	RAM	3 V	0.2	0.4	0.35	0.55	0.55	0.75	1.0	1.25	1.20	1.45	1.45	1.75	mA

- (1) All inputs are tied to 0 V or to V<sub>CC</sub>. Outputs do not source or sink any current.
- (2) The currents are characterized with a Micro Crystal CC4V-T1A SMD crystal with a load capacitance of 9 pF. The internal and external load capacitance are chosen to closely match the required 9 pF.
- (3) Characterized with program executing typical data processing.
- (4) At MCLK frequencies above 8 MHz, the FRAM requires wait states. When wait states are required, the effective MCLK frequency, f<sub>MCLK,eff</sub>, decreases. The effective MCLK frequency is also dependent on the cache hit ratio. SMCLK is not affected by the number of wait states or the cache hit ratio. The following equation can be used to compute f<sub>MCLK,eff</sub>:  
 $f_{MCLK,eff,MHZ} = f_{MCLK,MHZ} \times 1 / [\text{number of wait states} \times ((1 - \text{cache hit ratio percent}/100)) + 1]$
- (5) Program and data reside entirely in FRAM. No wait states enabled. DCORSEL = 0, DCOFSELx = 3 (f<sub>DCO</sub> = 8 MHz). MCLK = SMCLK.
- (6) Program resides in FRAM. Data resides in SRAM. Average current dissipation varies with cache hit-to-miss ratio as specified. Cache hit ratio represents number cache accesses divided by the total number of FRAM accesses. For example, a 25% ratio implies one of every four accesses is from cache, the remaining are FRAM accesses.  
For 1, 4, and 8 MHz, DCORSEL = 0, DCOFSELx = 3 (f<sub>DCO</sub> = 8 MHz). MCLK = SMCLK. No wait states enabled.  
For 16 MHz, DCORSEL = 1, DCOFSELx = 0 (f<sub>DCO</sub> = 16 MHz).MCLK = SMCLK. One wait state enabled.  
For 20 MHz, DCORSEL = 1, DCOFSELx = 2 (f<sub>DCO</sub> = 20 MHz).MCLK = SMCLK. Three wait states enabled.  
For 24 MHz, DCORSEL = 1, DCOFSELx = 3 (f<sub>DCO</sub> = 24 MHz).MCLK = SMCLK. Three wait states enabled.
- (7) See Figure 5-1 for typical curves. Each characteristic equation shown in the graph is computed using the least squares method for best linear fit using the typical data shown in Section 5.4.  
f<sub>ACLK</sub> = 32786 Hz, f<sub>MCLK</sub> = f<sub>SMCLK</sub> at specified frequency. No peripherals active.  
XTS = CPUOFF = SCG0 = SCG1 = OSCOFF = SMCLKOFF = 0.
- (8) All execution is from RAM.  
For 1, 4, and 8 MHz, DCORSEL = 0, DCOFSELx = 3 (f<sub>DCO</sub> = 8 MHz). MCLK = SMCLK.  
For 16 MHz, DCORSEL = 1, DCOFSELx = 0 (f<sub>DCO</sub> = 16 MHz). MCLK = SMCLK.  
For 20 MHz, DCORSEL = 1, DCOFSELx = 2 (f<sub>DCO</sub> = 20 MHz). MCLK = SMCLK.  
For 24 MHz, DCORSEL = 1, DCOFSELx = 3 (f<sub>DCO</sub> = 24 MHz). MCLK = SMCLK.

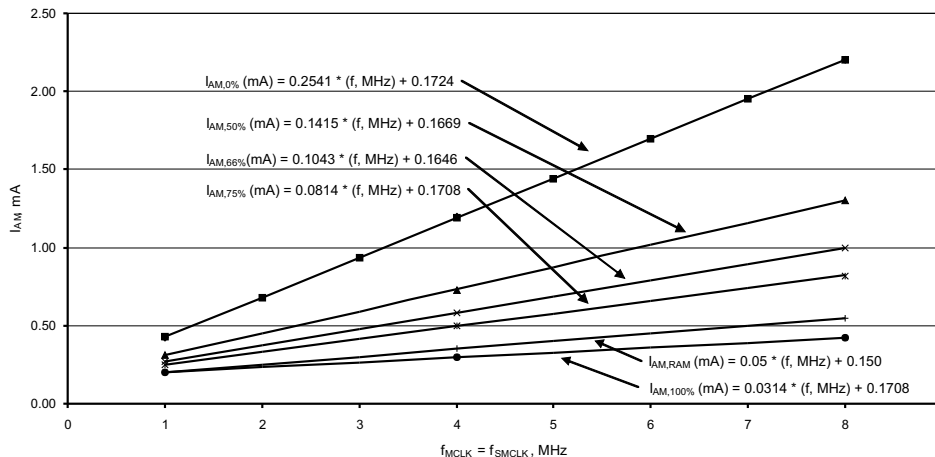


Figure 5-1. Typical Active Mode Supply Currents, No Wait States



## 5.5 Low-Power Mode Supply Currents (Into $V_{CC}$ ) Excluding External Current

over recommended ranges of supply voltage and operating free-air temperature (unless otherwise noted) <sup>(1)</sup> <sup>(2)</sup>

PARAMETER	$V_{CC}$	–40°C		25°C		60°C		85°C		UNIT
		TYP	MAX	TYP	MAX	TYP	MAX	TYP	MAX	
$I_{LPM0,1MHz}$ Low-power mode 0 <sup>(3)</sup> <sup>(4)</sup>	2 V, 3 V	166		175		190		225		$\mu A$
$I_{LPM0,8MHz}$ Low-power mode 0 <sup>(5)</sup> <sup>(4)</sup>	2 V, 3 V	170		177	244	195		225	360	$\mu A$
$I_{LPM0,24MHz}$ Low-power mode 0 <sup>(6)</sup> <sup>(4)</sup>	2 V, 3 V	274		285	340	315		340	455	$\mu A$
$I_{LPM2}$ Low-power mode 2 <sup>(7)</sup> <sup>(8)</sup>	2 V, 3 V	56		61	80	75		110	210	$\mu A$
$I_{LPM3,XT1LF}$ Low-power mode 3, crystal mode <sup>(9)</sup> <sup>(8)</sup>	2 V, 3 V	3.4		6.4	15	18		48	150	$\mu A$
$I_{LPM3,VLO}$ Low-power mode 3, VLO mode <sup>(10)</sup> <sup>(8)</sup>	2 V, 3 V	3.3		6.3	15	18		48	150	$\mu A$
$I_{LPM4}$ Low-power mode 4 <sup>(11)</sup> <sup>(8)</sup>	2 V, 3 V	2.9		5.9	15	18		48	150	$\mu A$
$I_{LPM3.5}$ Low-power mode 3.5 <sup>(12)</sup>	2 V, 3 V	1.3		1.5	2.2	1.9		2.8	5.0	$\mu A$
$I_{LPM4.5}$ Low-power mode 4.5 <sup>(13)</sup>	2 V, 3 V	0.3		0.32	0.66	0.38		0.57	2.55	$\mu A$

(1) All inputs are tied to 0 V or to  $V_{CC}$ . Outputs do not source or sink any current.

(2) The currents are characterized with a Micro Crystal CC4V-T1A SMD crystal with a load capacitance of 9 pF. The internal and external load capacitance are chosen to closely match the required 9 pF.

(3) Current for watchdog timer clocked by SMCLK included. ACLK = low-frequency crystal operation (XTS = 0, XT1DRIVE<sub>x</sub> = 0). CPUOFF = 1, SCG0 = 0, SCG1 = 0, OSCOFF = 0 (LPM0),  $f_{ACLK}$  = 32768 Hz,  $f_{MCLK}$  = 0 MHz,  $f_{SMCLK}$  = 1 MHz. DCORSEL = 0, DCOFSEL<sub>x</sub> = 3 ( $f_{DCO}$  = 8 MHz)

(4) Current for brownout, high-side supervisor (SVS<sub>H</sub>), and low-side supervisor (SVS<sub>L</sub>) included.

(5) Current for watchdog timer clocked by SMCLK included. ACLK = low-frequency crystal operation (XTS = 0, XT1DRIVE<sub>x</sub> = 0). CPUOFF = 1, SCG0 = 0, SCG1 = 0, OSCOFF = 0 (LPM0),  $f_{ACLK}$  = 32768 Hz,  $f_{MCLK}$  = 0 MHz,  $f_{SMCLK}$  = 8 MHz. DCORSEL = 0, DCOFSEL<sub>x</sub> = 3 ( $f_{DCO}$  = 8 MHz)

(6) Current for watchdog timer clocked by SMCLK included. ACLK = low-frequency crystal operation (XTS = 0, XT1DRIVE<sub>x</sub> = 0). CPUOFF = 1, SCG0 = 0, SCG1 = 0, OSCOFF = 0 (LPM0),  $f_{ACLK}$  = 32768 Hz,  $f_{MCLK}$  = 0 MHz,  $f_{SMCLK}$  = 24 MHz. DCORSEL = 1, DCOFSEL<sub>x</sub> = 3 ( $f_{DCO}$  = 24 MHz)

(7) Current for watchdog timer (clocked by ACLK) and RTC (clocked by XT1 LF mode) included. ACLK = low-frequency crystal operation (XTS = 0, XT1DRIVE<sub>x</sub> = 0). CPUOFF = 1, SCG0 = 0, SCG1 = 1, OSCOFF = 0 (LPM2),  $f_{ACLK}$  = 32768 Hz,  $f_{MCLK}$  = 0 MHz,  $f_{SMCLK}$  =  $f_{DCO}$  = 0 MHz, DCORSEL = 0, DCOFSEL<sub>x</sub> = 3, DCO bias generator enabled.

(8) Current for brownout and high-side supervisor (SVS<sub>H</sub>) included. Low-side supervisor (SVS<sub>L</sub>) disabled.

(9) Current for watchdog timer (clocked by ACLK) and RTC (clocked by XT1 LF mode) included. ACLK = low-frequency crystal operation (XTS = 0, XT1DRIVE<sub>x</sub> = 0).

CPUOFF = 1, SCG0 = 1, SCG1 = 1, OSCOFF = 0 (LPM3),  $f_{ACLK}$  = 32768 Hz,  $f_{MCLK}$  =  $f_{SMCLK}$  =  $f_{DCO}$  = 0 MHz

(10) Current for watchdog timer (clocked by ACLK) included. ACLK = VLO.

CPUOFF = 1, SCG0 = 1, SCG1 = 1, OSCOFF = 0 (LPM3),  $f_{ACLK}$  =  $f_{VLO}$ ,  $f_{MCLK}$  =  $f_{SMCLK}$  =  $f_{DCO}$  = 0 MHz

(11) CPUOFF = 1, SCG0 = 1, SCG1 = 1, OSCOFF = 1 (LPM4),  $f_{DCO}$  =  $f_{ACLK}$  =  $f_{MCLK}$  =  $f_{SMCLK}$  = 0 MHz

(12) Internal regulator disabled. No data retention. RTC active clocked by XT1 LF mode.

CPUOFF = 1, SCG0 = 1, SCG1 = 1, OSCOFF = 1, PMMREGOFF = 1 (LPM3.5),  $f_{DCO}$  =  $f_{ACLK}$  =  $f_{MCLK}$  =  $f_{SMCLK}$  = 0 MHz

(13) Internal regulator disabled. No data retention.

CPUOFF = 1, SCG0 = 1, SCG1 = 1, OSCOFF = 1, PMMREGOFF = 1 (LPM4.5),  $f_{DCO}$  =  $f_{ACLK}$  =  $f_{MCLK}$  =  $f_{SMCLK}$  = 0 MHz

## 5.6 Thermal Resistance Characteristics

PARAMETER	PACKAGE	VALUE <sup>(1)</sup>	UNIT
$\theta_{JA}$ Junction-to-ambient thermal resistance, still air <sup>(2)</sup>	TSSOP-24 (PW)	78.8	°C/W
$\theta_{JC(TOP)}$ Junction-to-case (top) thermal resistance <sup>(3)</sup>		19.4	°C/W
$\theta_{JB}$ Junction-to-board thermal resistance <sup>(4)</sup>		36.7	°C/W
$\Psi_{JB}$ Junction-to-board thermal characterization parameter		36.2	°C/W
$\Psi_{JT}$ Junction-to-top thermal characterization parameter		0.5	°C/W
$\theta_{JC(BOTTOM)}$ Junction-to-case (bottom) thermal resistance <sup>(5)</sup>		N/A	°C/W
$\theta_{JA}$ Junction-to-ambient thermal resistance, still air <sup>(2)</sup>	QFN-24 (RGE)	42.1	°C/W
$\theta_{JC(TOP)}$ Junction-to-case (top) thermal resistance <sup>(3)</sup>		38.8	°C/W
$\theta_{JB}$ Junction-to-board thermal resistance <sup>(4)</sup>		18.1	°C/W
$\Psi_{JB}$ Junction-to-board thermal characterization parameter		18.0	°C/W
$\Psi_{JT}$ Junction-to-top thermal characterization parameter		0.6	°C/W
$\theta_{JC(BOTTOM)}$ Junction-to-case (bottom) thermal resistance <sup>(5)</sup>		2.8	°C/W
$\theta_{JA}$ Junction-to-ambient thermal resistance, still air <sup>(2)</sup>	SOIC-38 (DA)	74.5	°C/W
$\theta_{JC(TOP)}$ Junction-to-case (top) thermal resistance <sup>(3)</sup>		22.0	°C/W
$\theta_{JB}$ Junction-to-board thermal resistance <sup>(4)</sup>		40.7	°C/W
$\Psi_{JB}$ Junction-to-board thermal characterization parameter		40.3	°C/W
$\Psi_{JT}$ Junction-to-top thermal characterization parameter		0.9	°C/W
$\theta_{JC(BOTTOM)}$ Junction-to-case (bottom) thermal resistance <sup>(5)</sup>		N/A	°C/W
$\theta_{JA}$ Junction-to-ambient thermal resistance, still air <sup>(2)</sup>	QFN-40 (RHA)	37.8	°C/W
$\theta_{JC(TOP)}$ Junction-to-case (top) thermal resistance <sup>(3)</sup>		27.4	°C/W
$\theta_{JB}$ Junction-to-board thermal resistance <sup>(4)</sup>		12.6	°C/W
$\Psi_{JB}$ Junction-to-board thermal characterization parameter		12.6	°C/W
$\Psi_{JT}$ Junction-to-top thermal characterization parameter		0.4	°C/W
$\theta_{JC(BOTTOM)}$ Junction-to-case (bottom) thermal resistance <sup>(5)</sup>		3.6	°C/W

- (1) N/A = Not applicable
- (2) The junction-to-ambient thermal resistance under natural convection is obtained in a simulation on a JEDEC-standard, High-K board, as specified in JESD51-7, in an environment described in JESD51-2a.
- (3) The junction-to-case (top) thermal resistance is obtained by simulating a cold plate test on the package top. No specific JEDEC-standard test exists, but a close description can be found in the ANSI SEMI standard G30-88.
- (4) The junction-to-board thermal resistance is obtained by simulating in an environment with a ring cold plate fixture to control the PCB temperature, as described in JESD51-8.
- (5) The junction-to-case (bottom) thermal resistance is obtained by simulating a cold plate test on the exposed (power) pad. No specific JEDEC standard test exists, but a close description can be found in the ANSI SEMI standard G30-88.

### 5.7 Schmitt-Trigger Inputs – General-Purpose I/O (P1.0 to P1.7, P2.0 to P2.7, P3.0 to P3.7, P4.0 to P4.1, PJ.0 to PJ.5, $\overline{\text{RST/NMI}}$ )

over recommended ranges of supply voltage and operating free-air temperature (unless otherwise noted)

PARAMETER		TEST CONDITIONS	V <sub>CC</sub>	MIN	TYP	MAX	UNIT
V <sub>IT+</sub>	Positive-going input threshold voltage		2 V	0.80		1.40	V
			3 V	1.50		2.10	
V <sub>IT-</sub>	Negative-going input threshold voltage		2 V	0.45		1.10	V
			3 V	0.75		1.65	
V <sub>hys</sub>	Input voltage hysteresis (V <sub>IT+</sub> – V <sub>IT-</sub> )		2 V	0.25		0.8	V
			3 V	0.30		1.0	
R <sub>Pull</sub>	Pullup or pulldown resistor	For pullup: V <sub>IN</sub> = V <sub>SS</sub> For pulldown: V <sub>IN</sub> = V <sub>CC</sub>		20	35	50	kΩ
C <sub>I</sub>	Input capacitance	V <sub>IN</sub> = V <sub>SS</sub> or V <sub>CC</sub>			5		pF

### 5.8 Inputs – Ports P1 and P2 <sup>(1)</sup> (P1.0 to P1.7, P2.0 to P2.7)

over recommended ranges of supply voltage and operating free-air temperature (unless otherwise noted)

PARAMETER	TEST CONDITIONS	V <sub>CC</sub>	MIN	MAX	UNIT
t <sub>(int)</sub>	External interrupt timing <sup>(2)</sup> External trigger pulse duration to set interrupt flag	2 V, 3 V	20		ns

(1) Some devices may contain additional ports with interrupts. See the block diagram and terminal function descriptions.

(2) An external signal sets the interrupt flag every time the minimum interrupt pulse duration t<sub>(int)</sub> is met. It may be set by trigger signals shorter than t<sub>(int)</sub>.

### 5.9 Leakage Current – General-Purpose I/O (P1.0 to P1.7, P2.0 to P2.7, P3.0 to P3.7, P4.0 to P4.1, PJ.0 to PJ.5, $\overline{\text{RST/NMI}}$ )

over recommended ranges of supply voltage and operating free-air temperature (unless otherwise noted)

PARAMETER	TEST CONDITIONS	V <sub>CC</sub>	MIN	MAX	UNIT
I <sub>lkg(Px.x)</sub>	High-impedance leakage current <sup>(1)</sup> <sup>(2)</sup>	2 V, 3 V	-50	50	nA

(1) The leakage current is measured with V<sub>SS</sub> or V<sub>CC</sub> applied to the corresponding pin(s), unless otherwise noted.

(2) The leakage of the digital port pins is measured individually. The port pin is selected for input and the pullup/pulldown resistor is disabled.

### 5.10 Outputs – General-Purpose I/O (P1.0 to P1.7, P2.0 to P2.7, P3.0 to P3.7, P4.0 to P4.1, PJ.0 to PJ.5)

over recommended ranges of supply voltage and operating free-air temperature (unless otherwise noted)

PARAMETER		TEST CONDITIONS	V <sub>CC</sub>	MIN	MAX	UNIT
V <sub>OH</sub>	High-level output voltage	I <sub>(OHmax)</sub> = -1 mA <sup>(1)</sup>	2 V	V <sub>CC</sub> - 0.25	V <sub>CC</sub>	V
		I <sub>(OHmax)</sub> = -3 mA <sup>(2)</sup>		V <sub>CC</sub> - 0.60	V <sub>CC</sub>	
		I <sub>(OHmax)</sub> = -2 mA <sup>(1)</sup>	3 V	V <sub>CC</sub> - 0.25	V <sub>CC</sub>	
		I <sub>(OHmax)</sub> = -6 mA <sup>(2)</sup>		V <sub>CC</sub> - 0.60	V <sub>CC</sub>	
V <sub>OL</sub>	Low-level output voltage	I <sub>(OLmax)</sub> = 1 mA <sup>(1)</sup>	2 V	V <sub>SS</sub>	V <sub>SS</sub> + 0.25	V
		I <sub>(OLmax)</sub> = 3 mA <sup>(2)</sup>		V <sub>SS</sub>	V <sub>SS</sub> + 0.60	
		I <sub>(OLmax)</sub> = 2 mA <sup>(1)</sup>	3 V	V <sub>SS</sub>	V <sub>SS</sub> + 0.25	
		I <sub>(OLmax)</sub> = 6 mA <sup>(2)</sup>		V <sub>SS</sub>	V <sub>SS</sub> + 0.60	

- (1) The maximum total current, I<sub>(OHmax)</sub> and I<sub>(OLmax)</sub>, for all outputs combined, should not exceed ±48 mA to hold the maximum voltage drop specified.
- (2) The maximum total current, I<sub>(OHmax)</sub> and I<sub>(OLmax)</sub>, for all outputs combined, should not exceed ±100 mA to hold the maximum voltage drop specified.

### 5.11 Output Frequency – General-Purpose I/O (P1.0 to P1.7, P2.0 to P2.7, P3.0 to P3.7, P4.0 to P4.1, PJ.0 to PJ.5)

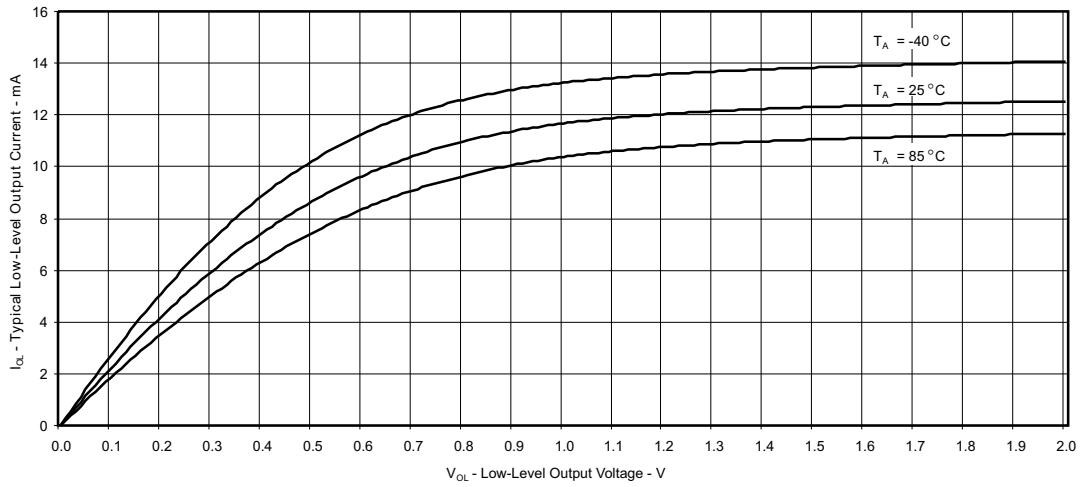
over recommended ranges of supply voltage and operating free-air temperature (unless otherwise noted)

PARAMETER		TEST CONDITIONS	V <sub>CC</sub>	MIN	MAX	UNIT
f <sub>Px.y</sub>	Port output frequency (with load)	P <sub>x.y</sub> <sup>(1)</sup> <sup>(2)</sup>	2 V		16	MHz
			3 V		24	
f <sub>Port_CLK</sub>	Clock output frequency	ACLK, SMCLK, or MCLK at configured output port, C <sub>L</sub> = 20 pF, no DC loading <sup>(2)</sup>	2 V		16	MHz
			3 V		24	

- (1) A resistive divider with 2 × 1.6 kΩ between V<sub>CC</sub> and V<sub>SS</sub> is used as load. The output is connected to the center tap of the divider. C<sub>L</sub> = 20 pF is connected from the output to V<sub>SS</sub>.
- (2) The output voltage reaches at least 10% and 90% V<sub>CC</sub> at the specified toggle frequency.

### 5.12 Typical Characteristics – Outputs

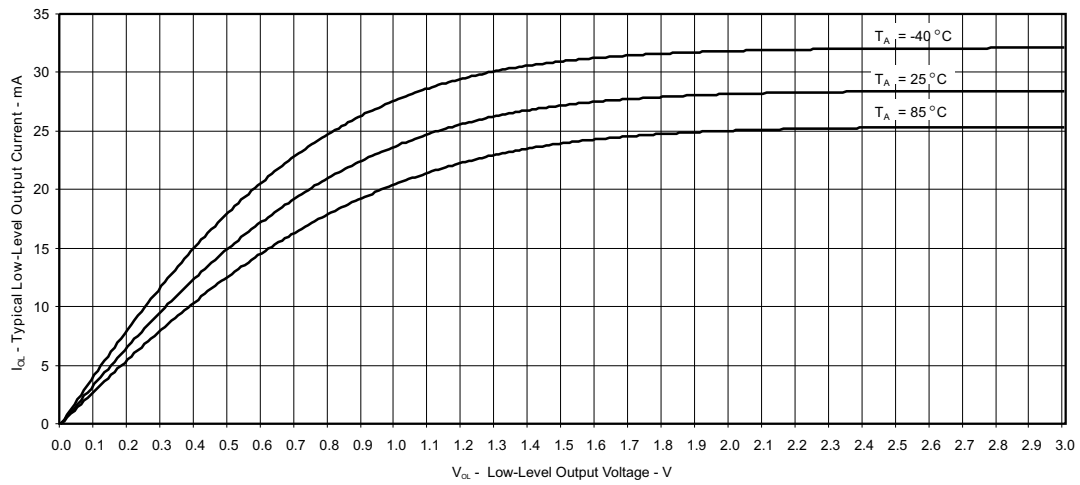
over recommended ranges of supply voltage and operating free-air temperature (unless otherwise noted)



V<sub>CC</sub> = 2.0 V

Measured at Px.y

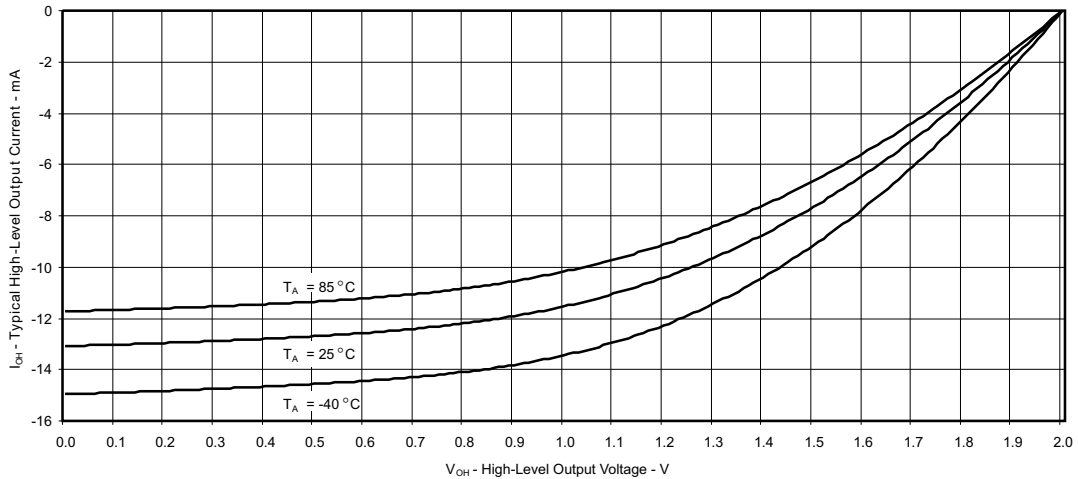
Figure 5-2. Typical Low-Level Output Current vs Low-Level Output Voltage



V<sub>CC</sub> = 3.0 V

Measured at Px.y

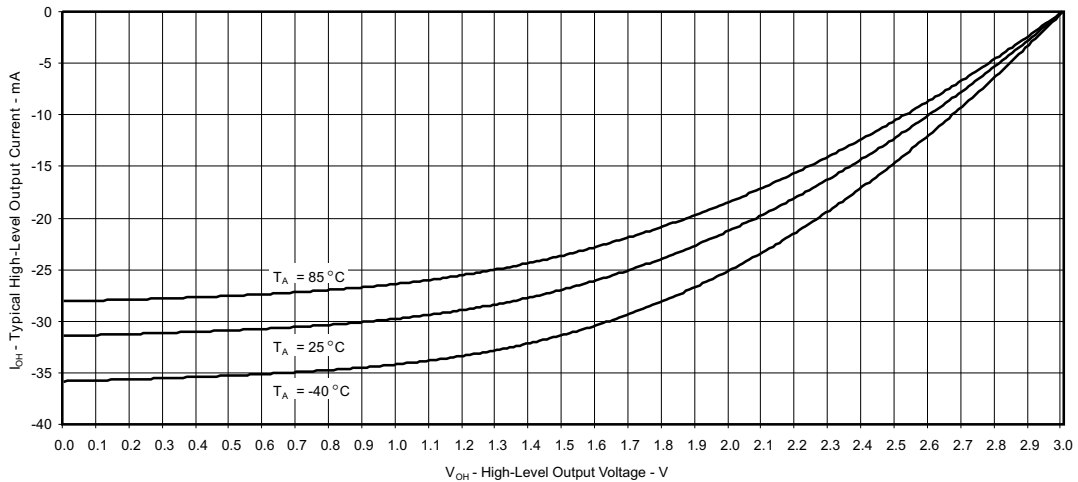
Figure 5-3. Typical Low-Level Output Current vs Low-Level Output Voltage



$V_{CC} = 2.0 \text{ V}$

Measured at Px.y

**Figure 5-4. Typical High-Level Output Current vs High-Level Output Voltage**



$V_{CC} = 3.0 \text{ V}$

Measured at Px.y

**Figure 5-5. Typical High-Level Output Current vs High-Level Output Voltage**

### 5.13 Crystal Oscillator, XT1, Low-Frequency (LF) Mode <sup>(1)</sup>

over recommended ranges of supply voltage and operating free-air temperature (unless otherwise noted)

PARAMETER		TEST CONDITIONS	V <sub>CC</sub>	MIN	TYP	MAX	UNIT
$\Delta I_{VCC,LF}$	Additional current consumption XT1 LF mode from lowest drive setting	$f_{OSC} = 32768$ Hz, XTS = 0, XT1BYPASS = 0, XT1DRIVE = {1}, $C_{L,eff} = 9$ pF, $T_A = 25^\circ\text{C}$ ,	3 V		60		nA
		$f_{OSC} = 32768$ Hz, XTS = 0, XT1BYPASS = 0, XT1DRIVE = {2}, $T_A = 25^\circ\text{C}$ , $C_{L,eff} = 9$ pF	3 V		90		
		$f_{OSC} = 32768$ Hz, XTS = 0, XT1BYPASS = 0, XT1DRIVE = {3}, $T_A = 25^\circ\text{C}$ , $C_{L,eff} = 12$ pF	3 V		140		
$f_{XT1,LF0}$	XT1 oscillator crystal frequency, LF mode	XTS = 0, XT1BYPASS = 0			32768		Hz
$f_{XT1,LF,SW}$	XT1 oscillator logic-level square-wave input frequency, LF mode	XTS = 0, XT1BYPASS = 1 <sup>(2)</sup> <sup>(3)</sup>		10	32.768	50	kHz
$OA_{LF}$	Oscillation allowance for LF crystals <sup>(4)</sup>	XTS = 0, XT1BYPASS = 0, XT1DRIVE = {0}, $f_{XT1,LF} = 32768$ Hz, $C_{L,eff} = 6$ pF			210		k $\Omega$
		XTS = 0, XT1BYPASS = 0, XT1DRIVE = {3}, $f_{XT1,LF} = 32768$ Hz, $C_{L,eff} = 12$ pF			300		
	Duty cycle, LF mode	XTS = 0, Measured at ACLK, $f_{XT1,LF} = 32768$ Hz		30%		70%	
$f_{Fault,LF}$	Oscillator fault frequency, LF mode <sup>(5)</sup>	XTS = 0 <sup>(6)</sup>		10		10000	Hz
$t_{START,LF}$	Start-up time, LF mode <sup>(7)</sup>	$f_{OSC} = 32768$ Hz, XTS = 0, XT1BYPASS = 0, XT1DRIVE = {0}, $T_A = 25^\circ\text{C}$ , $C_{L,eff} = 6$ pF	3 V		1000		ms
		$f_{OSC} = 32768$ Hz, XTS = 0, XT1BYPASS = 0, XT1DRIVE = {3}, $T_A = 25^\circ\text{C}$ , $C_{L,eff} = 12$ pF			1000		
$C_{L,eff}$	Integrated effective load capacitance, LF mode <sup>(8)</sup> <sup>(9)</sup>	XTS = 0			1		pF

- (1) To improve EMI on the XT1 oscillator, the following guidelines should be observed.
  - Keep the trace between the device and the crystal as short as possible.
  - Design a good ground plane around the oscillator pins.
  - Prevent crosstalk from other clock or data lines into oscillator pins XIN and XOUT.
  - Avoid running PCB traces underneath or adjacent to the XIN and XOUT pins.
  - Use assembly materials and processes that avoid any parasitic load on the oscillator XIN and XOUT pins.
  - If conformal coating is used, make sure that it does not induce capacitive or resistive leakage between the oscillator pins.
- (2) When XT1BYPASS is set, XT1 circuits are automatically powered down. Input signal is a digital square wave with parametrics defined in the Schmitt-trigger Inputs section of this data sheet.
- (3) Maximum frequency of operation of the entire device cannot be exceeded.
- (4) Oscillation allowance is based on a safety factor of 5 for recommended crystals. The oscillation allowance is a function of the XT1DRIVE settings and the effective load. In general, comparable oscillator allowance can be achieved based on the following guidelines, but should be evaluated based on the actual crystal selected for the application:
  - For XT1DRIVE = {0},  $C_{L,eff} \leq 6$  pF.
  - For XT1DRIVE = {1},  $6 \text{ pF} \leq C_{L,eff} \leq 9$  pF.
  - For XT1DRIVE = {2},  $6 \text{ pF} \leq C_{L,eff} \leq 10$  pF.
  - For XT1DRIVE = {3},  $6 \text{ pF} \leq C_{L,eff} \leq 12$  pF.
- (5) Frequencies below the MIN specification set the fault flag. Frequencies above the MAX specification do not set the fault flag. Frequencies in between might set the flag.
- (6) Measured with logic-level input frequency but also applies to operation with crystals.
- (7) Includes start-up counter of 4096 clock cycles.
- (8) Requires external capacitors at both terminals.
- (9) Values are specified by crystal manufacturers. Include parasitic bond and package capacitance (approximately 2 pF per pin). Recommended values supported are 6 pF, 9 pF, and 12 pF. Maximum shunt capacitance of 1.6 pF.

### 5.14 Crystal Oscillator, XT1, High-Frequency (HF) Mode <sup>(1)</sup>

over recommended ranges of supply voltage and operating free-air temperature (unless otherwise noted)

PARAMETER		TEST CONDITIONS	V <sub>CC</sub>	MIN	TYP	MAX	UNIT
I <sub>VCC,HF</sub>	XT1 oscillator crystal current HF mode	f <sub>OSC</sub> = 4 MHz, XTS = 1, XOSCOFF = 0, XT1BYPASS = 0, XT1DRIVE = {0}, T <sub>A</sub> = 25°C, C <sub>L,eff</sub> = 16 pF	3 V		175		μA
		f <sub>OSC</sub> = 8 MHz, XTS = 1, XOSCOFF = 0, XT1BYPASS = 0, XT1DRIVE = {1}, T <sub>A</sub> = 25°C, C <sub>L,eff</sub> = 16 pF			300		
		f <sub>OSC</sub> = 16 MHz, XTS = 1, XOSCOFF = 0, XT1BYPASS = 0, XT1DRIVE = {2}, T <sub>A</sub> = 25°C, C <sub>L,eff</sub> = 16 pF			350		
		f <sub>OSC</sub> = 24 MHz, XTS = 1, XOSCOFF = 0, XT1BYPASS = 0, XT1DRIVE = {3}, T <sub>A</sub> = 25°C, C <sub>L,eff</sub> = 16 pF			550		
f <sub>XT1,HF0</sub>	XT1 oscillator crystal frequency, HF mode 0	XTS = 1, XT1BYPASS = 0, XT1DRIVE = {0} <sup>(2)</sup>		4		6	MHz
f <sub>XT1,HF1</sub>	XT1 oscillator crystal frequency, HF mode 1	XTS = 1, XT1BYPASS = 0, XT1DRIVE = {1} <sup>(2)</sup>		6		10	MHz
f <sub>XT1,HF2</sub>	XT1 oscillator crystal frequency, HF mode 2	XTS = 1, XT1BYPASS = 0, XT1DRIVE = {2} <sup>(2)</sup>		10		16	MHz
f <sub>XT1,HF3</sub>	XT1 oscillator crystal frequency, HF mode 3	XTS = 1, XT1BYPASS = 0, XT1DRIVE = {3} <sup>(2)</sup>		16		24	MHz
f <sub>XT1,HF,SW</sub>	XT1 oscillator logic-level square-wave input frequency, HF mode	XTS = 1, XT1BYPASS = 1 <sup>(3) (2)</sup>		1		24	MHz
O <sub>AHF</sub>	Oscillation allowance for HF crystals <sup>(4)</sup>	XTS = 1, XT1BYPASS = 0, XT1DRIVE = {0}, f <sub>XT1,HF</sub> = 4 MHz, C <sub>L,eff</sub> = 16 pF			450		Ω
		XTS = 1, XT1BYPASS = 0, XT1DRIVE = {1}, f <sub>XT1,HF</sub> = 8 MHz, C <sub>L,eff</sub> = 16 pF			320		
		XTS = 1, XT1BYPASS = 0, XT1DRIVE = {2}, f <sub>XT1,HF</sub> = 16 MHz, C <sub>L,eff</sub> = 16 pF			200		
		XTS = 1, XT1BYPASS = 0, XT1DRIVE = {3}, f <sub>XT1,HF</sub> = 24 MHz, C <sub>L,eff</sub> = 16 pF			200		
t <sub>START,HF</sub>	Start-up time, HF mode <sup>(5)</sup>	f <sub>OSC</sub> = 4 MHz, XTS = 1, XT1BYPASS = 0, XT1DRIVE = {0}, T <sub>A</sub> = 25°C, C <sub>L,eff</sub> = 16 pF	3 V		8		ms
		f <sub>OSC</sub> = 24 MHz, XTS = 1, XT1BYPASS = 0, XT1DRIVE = {3}, T <sub>A</sub> = 25°C, C <sub>L,eff</sub> = 16 pF				2	

- (1) To improve EMI on the XT1 oscillator the following guidelines should be observed.
  - Keep the traces between the device and the crystal as short as possible.
  - Design a good ground plane around the oscillator pins.
  - Prevent crosstalk from other clock or data lines into oscillator pins XIN and XOUT.
  - Avoid running PCB traces underneath or adjacent to the XIN and XOUT pins.
  - Use assembly materials and processes that avoid any parasitic load on the oscillator XIN and XOUT pins.
  - If conformal coating is used, make sure that it does not induce capacitive or resistive leakage between the oscillator pins.
- (2) Maximum frequency of operation of the entire device cannot be exceeded.
- (3) When XT1BYPASS is set, XT1 circuits are automatically powered down. Input signal is a digital square wave with parametrics defined in the Schmitt-trigger Inputs section of this data sheet.
- (4) Oscillation allowance is based on a safety factor of 5 for recommended crystals.
- (5) Includes start-up counter of 4096 clock cycles.



## Crystal Oscillator, XT1, High-Frequency (HF) Mode <sup>(1)</sup> (continued)

over recommended ranges of supply voltage and operating free-air temperature (unless otherwise noted)

PARAMETER		TEST CONDITIONS	V <sub>CC</sub>	MIN	TYP	MAX	UNIT
C <sub>L,eff</sub>	Integrated effective load capacitance <sup>(6)</sup> <sup>(7)</sup>	XTS = 1			1		pF
	Duty cycle, HF mode	XTS = 1, Measured at ACLK, f <sub>XT1,HF2</sub> = 24 MHz		40%	50%	60%	
f <sub>Fault,HF</sub>	Oscillator fault frequency, HF mode <sup>(8)</sup>	XTS = 1 <sup>(9)</sup>		145		900	kHz

- (6) Includes parasitic bond and package capacitance (approximately 2 pF per pin). Because the PCB adds additional capacitance, it is recommended to verify the correct load by measuring the ACLK frequency. For a correct setup, the effective load capacitance should always match the specification of the used crystal.
- (7) Requires external capacitors at both terminals. Values are specified by crystal manufacturers. Recommended values supported are 14 pF, 16 pF, and 18 pF. Maximum shunt capacitance of 7 pF.
- (8) Frequencies below the MIN specification set the fault flag. Frequencies above the MAX specification do not set the fault flag. Frequencies in between might set the flag.
- (9) Measured with logic-level input frequency but also applies to operation with crystals.

## 5.15 Internal Very-Low-Power Low-Frequency Oscillator (VLO)

over recommended ranges of supply voltage and operating free-air temperature (unless otherwise noted)

PARAMETER		TEST CONDITIONS	V <sub>CC</sub>	MIN	TYP	MAX	UNIT
f <sub>VLO</sub>	VLO frequency	Measured at ACLK	2 V to 3.6 V	5	8.3	13	kHz
df <sub>VLO</sub> /dT	VLO frequency temperature drift	Measured at ACLK <sup>(1)</sup>	2 V to 3.6 V		0.5		%/°C
df <sub>VLO</sub> /dV <sub>CC</sub>	VLO frequency supply voltage drift	Measured at ACLK <sup>(2)</sup>	2 V to 3.6 V		4		%/V
f <sub>VLO,DC</sub>	Duty cycle	Measured at ACLK	2 V to 3.6 V	40%	50%	60%	

- (1) Calculated using the box method: (MAX(−40°C to 85°C) – MIN(−40°C to 85°C)) / MIN(−40°C to 85°C) / (85°C – (−40°C))
- (2) Calculated using the box method: (MAX(2.0 V to 3.6 V) – MIN(2.0 V to 3.6 V)) / MIN(2.0 V to 3.6 V) / (3.6 V – 2 V)

## 5.16 DCO Frequencies

over recommended ranges of supply voltage and operating free-air temperature (unless otherwise noted)

PARAMETER		TEST CONDITIONS	V <sub>CC</sub> T <sub>A</sub>	MIN	TYP	MAX	UNIT
f <sub>DCO,LO</sub>	DCO frequency low, trimmed	Measured at ACLK, DCORSEL = 0	2 V to 3.6 V –40°C to 85°C		5.37	±3.5%	MHz
			2 V to 3.6 V 0°C to 50°C		5.37	±2.0%	
		Measured at ACLK, DCORSEL = 1	2 V to 3.6 V –40°C to 85°C		16.2	±3.5%	
			2 V to 3.6 V 0°C to 50°C		16.2	±2.0%	
f <sub>DCO,MID</sub>	DCO frequency mid, trimmed	Measured at ACLK, DCORSEL = 0	2 V to 3.6 V –40°C to 85°C		6.67	±3.5%	MHz
			2 V to 3.6 V 0°C to 50°C		6.67	±2.0%	
		Measured at ACLK, DCORSEL = 1	2 V to 3.6 V –40°C to 85°C		20	±3.5%	
			2 V to 3.6 V 0°C to 50°C		20	±2.0%	
f <sub>DCO,HI</sub>	DCO frequency high, trimmed	Measured at ACLK, DCORSEL = 0	2 V to 3.6 V –40°C to 85°C		8	±3.5%	MHz
			2 V to 3.6 V 0°C to 50°C		8	±2.0%	
		Measured at ACLK, DCORSEL = 1	2 V to 3.6 V –40°C to 85°C		23.8	±3.5%	
			2 V to 3.6 V 0°C to 50°C		23.8	±2.0%	
f <sub>DCO,DC</sub>	Duty cycle	Measured at ACLK, divide by 1, No external divide, all DCO settings	2 V to 3.6 V –40°C to 85°C	40%	50%	60%	

## 5.17 MODOSC

over operating free-air temperature range (unless otherwise noted)

PARAMETER		TEST CONDITIONS	V <sub>CC</sub>	MIN	TYP	MAX	UNIT
I <sub>MODOSC</sub>	Current consumption	Enabled	2 V to 3.6 V		44	80	µA
f <sub>MODOSC</sub>	MODOSC frequency		2 V to 3.6 V	4.5	5.0	5.5	MHz
f <sub>MODOSC,DC</sub>	Duty cycle	Measured at ACLK, divide by 1	2 V to 3.6 V	40%	50%	60%	

## 5.18 PMM, Core Voltage

over recommended ranges of supply voltage and operating free-air temperature (unless otherwise noted)

PARAMETER		TEST CONDITIONS	MIN	TYP	MAX	UNIT
V <sub>CORE(AM)</sub>	Core voltage, active mode	2 V ≤ DV <sub>CC</sub> ≤ 3.6 V		1.5		V
V <sub>CORE(LPM)</sub>	Core voltage, low-current mode	2 V ≤ DV <sub>CC</sub> ≤ 3.6 V		1.5		V

## 5.19 PMM, SVS, BOR

over recommended ranges of supply voltage and operating free-air temperature (unless otherwise noted)

PARAMETER		TEST CONDITIONS	MIN	TYP	MAX	UNIT
I <sub>SVSH,AM</sub>	SVS <sub>H</sub> current consumption, active mode	V <sub>CC</sub> = 3.6 V		5		μA
I <sub>SVSH,LPM</sub>	SVS <sub>H</sub> current consumption, low power modes	V <sub>CC</sub> = 3.6 V		0.8	1.5	μA
V <sub>SVSH-</sub>	SVS <sub>H</sub> on voltage level, falling supply voltage		1.83	1.88	1.93	V
V <sub>SVSH+</sub>	SVS <sub>H</sub> off voltage level, rising supply voltage		1.88	1.93	1.98	V
t <sub>PD,SVSH, AM</sub>	SVS <sub>H</sub> propagation delay, active mode	dV <sub>CC</sub> /dt = 10 mV/μs		10		μs
t <sub>PD,SVSH, LPM</sub>	SVS <sub>H</sub> propagation delay, low power modes	dV <sub>CC</sub> /dt = 1 mV/μs		30		μs
I <sub>SVSL</sub>	SVS <sub>L</sub> current consumption			0.3	0.5	μA
V <sub>SVSL-</sub>	SVS <sub>L</sub> on voltage level			1.42		V
V <sub>SVSL+</sub>	SVS <sub>L</sub> off voltage level			1.47		V

## 5.20 Wake-up Times From Low-Power Modes

over recommended ranges of supply voltage and operating free-air temperature (unless otherwise noted)

PARAMETER		TEST CONDITIONS	V <sub>CC</sub> T <sub>A</sub>	MIN	TYP	MAX	UNIT
t <sub>WAKE-UP LPM0</sub>	Wake-up time from LPM0 to active mode <sup>(1)</sup>		2 V, 3 V -40°C to 85°C		0.58	1	μs
t <sub>WAKE-UP LPM12</sub>	Wake-up time from LPM1, LPM2 to active mode <sup>(1)</sup>		2 V, 3 V -40°C to 85°C		12	25	μs
t <sub>WAKE-UP LPM34</sub>	Wake-up time from LPM3 or LPM4 to active mode <sup>(1)</sup>		2 V, 3 V -40°C to 85°C		78	120	μs
t <sub>WAKE-UP LPMx.5</sub>	Wake-up time from LPM3.5 or LPM4.5 to active mode <sup>(1)</sup>		2 V, 3 V 0°C to 85°C		310	575	μs
			2 V, 3 V -40°C to 85°C		310	1100	
t <sub>WAKE-UP RESET</sub>	Wake-up time from $\overline{\text{RST}}$ to active mode <sup>(2)</sup>	V <sub>CC</sub> stable	2 V, 3 V -40°C to 85°C		230	280	μs
t <sub>WAKE-UP BOR</sub>	Wake-up time from BOR or power-up to active mode	dV <sub>CC</sub> /dt = 2400 V/s	2 V, 3 V -40°C to 85°C		1.6		ms
t <sub>RESET</sub>	Pulse duration required at $\overline{\text{RST}}$ /NMI terminal to accept a reset event <sup>(3)</sup>		2 V, 3 V -40°C to 85°C		4		ns

- (1) The wake-up time is measured from the edge of an external wake-up signal (for example, port interrupt or wake-up event) until the first instruction of the user program is executed.
- (2) The wake-up time is measured from the rising edge of the  $\overline{\text{RST}}$  signal until the first instruction of the user program is executed.
- (3) Meeting or exceeding this time makes sure a reset event occurs. Pulses shorter than this minimum time may or may not cause a reset event to occur.

### 5.21 Timer\_A

over recommended ranges of supply voltage and operating free-air temperature (unless otherwise noted)

PARAMETER		TEST CONDITIONS	V <sub>CC</sub>	MIN	TYP	MAX	UNIT
f <sub>TA</sub>	Timer_A input clock frequency	Internal: SMCLK, ACLK External: TACLK Duty cycle = 50% ±10%	2 V, 3 V			24	MHz
t <sub>TA,cap</sub>	Timer_A capture timing	All capture inputs, Minimum pulse duration required for capture	2 V, 3 V	20			ns

### 5.22 Timer\_B

over recommended ranges of supply voltage and operating free-air temperature (unless otherwise noted)

PARAMETER		TEST CONDITIONS	V <sub>CC</sub>	MIN	TYP	MAX	UNIT
f <sub>TB</sub>	Timer_B input clock frequency	Internal: SMCLK, ACLK External: TBCLK Duty cycle = 50% ±10%	2 V, 3 V			24	MHz
t <sub>TB,cap</sub>	Timer_B capture timing	All capture inputs, Minimum pulse duration required for capture	2 V, 3 V	20			ns

### 5.23 eUSCI (UART Mode) Clock Frequency

PARAMETER		CONDITIONS	V <sub>CC</sub>	MIN	TYP	MAX	UNIT
f <sub>eUSCI</sub>	eUSCI input clock frequency	Internal: SMCLK, ACLK External: UCLK Duty cycle = 50% ±10%			f <sub>SYSTEM</sub>		MHz
f <sub>BITCLK</sub>	BITCLK clock frequency (equals baud rate in MBaud)					5	MHz

### 5.24 eUSCI (UART Mode)

over recommended ranges of supply voltage and operating free-air temperature (unless otherwise noted)

PARAMETER		TEST CONDITIONS	V <sub>CC</sub>	MIN	TYP	MAX	UNIT
t <sub>t</sub>	UART receive deglitch time <sup>(1)</sup>	UCGLITx = 0	2 V, 3 V	5	15	20	ns
		UCGLITx = 1		20	45	60	
		UCGLITx = 2		35	80	120	
		UCGLITx = 3		50	110	180	

(1) Pulses on the UART receive input (UCxRX) shorter than the UART receive deglitch time are suppressed. To ensure that pulses are correctly recognized, their duration should exceed the maximum specification of the deglitch time.

## 5.25 eUSCI (SPI Master Mode) Clock Frequency

PARAMETER		CONDITIONS	V <sub>CC</sub>	MIN	TYP	MAX	UNIT
f <sub>eUSCI</sub>	eUSCI input clock frequency	Internal: SMCLK, ACLK Duty cycle = 50% ±10%				f <sub>SYSTEM</sub>	MHz

## 5.26 eUSCI (SPI Master Mode)

over recommended ranges of supply voltage and operating free-air temperature (unless otherwise noted) <sup>(1)</sup>

PARAMETER		TEST CONDITIONS	V <sub>CC</sub>	MIN	TYP	MAX	UNIT
t <sub>STE,LEAD</sub>	STE lead time, STE active to clock	UCSTEM = 0, UCMODE <sub>x</sub> = 01 or 10	2 V, 3 V	1			UCxCLK cycles
		UCSTEM = 1, UCMODE <sub>x</sub> = 01 or 10	2 V, 3 V	1			
t <sub>STE,LAG</sub>	STE lag time, Last clock to STE inactive	UCSTEM = 0, UCMODE <sub>x</sub> = 01 or 10	2 V, 3 V	1			UCxCLK cycles
		UCSTEM = 1, UCMODE <sub>x</sub> = 01 or 10	2 V, 3 V	1			
t <sub>STE,ACC</sub>	STE access time, STE active to SIMO data out	UCSTEM = 0, UCMODE <sub>x</sub> = 01 or 10	2 V, 3 V			55	ns
		UCSTEM = 1, UCMODE <sub>x</sub> = 01 or 10	2 V, 3 V			35	
t <sub>STE,DIS</sub>	STE disable time, STE inactive to SIMO high impedance	UCSTEM = 0, UCMODE <sub>x</sub> = 01 or 10	2 V, 3 V			40	ns
		UCSTEM = 1, UCMODE <sub>x</sub> = 01 or 10	2 V, 3 V			30	
t <sub>SU,MI</sub>	SOMI input data setup time		2 V	35			ns
			3 V	35			
t <sub>HD,MI</sub>	SOMI input data hold time		2 V	0			ns
			3 V	0			
t <sub>VALID,MO</sub>	SIMO output data valid time <sup>(2)</sup>	UCLK edge to SIMO valid, C <sub>L</sub> = 20 pF	2 V			30	ns
			3 V			30	
t <sub>HD,MO</sub>	SIMO output data hold time <sup>(3)</sup>	C <sub>L</sub> = 20 pF	2 V	0			ns
			3 V	0			

- (1)  $f_{UCxCLK} = 1/2t_{LO/HI}$  with  $t_{LO/HI} = \max(t_{VALID,MO}(eUSCI) + t_{SU,SI}(Slave), t_{SU,MI}(eUSCI) + t_{VALID,SO}(Slave))$ .  
For the slave parameters  $t_{SU,SI}(Slave)$  and  $t_{VALID,SO}(Slave)$  see the SPI parameters of the attached slave.
- (2) Specifies the time to drive the next valid data to the SIMO output after the output changing UCLK clock edge. See the timing diagrams in [Figure 5-6](#) and [Figure 5-7](#).
- (3) Specifies how long data on the SIMO output is valid after the output changing UCLK clock edge. Negative values indicate that the data on the SIMO output can become invalid before the output changing clock edge observed on UCLK. See the timing diagrams in [Figure 5-6](#) and [Figure 5-7](#).

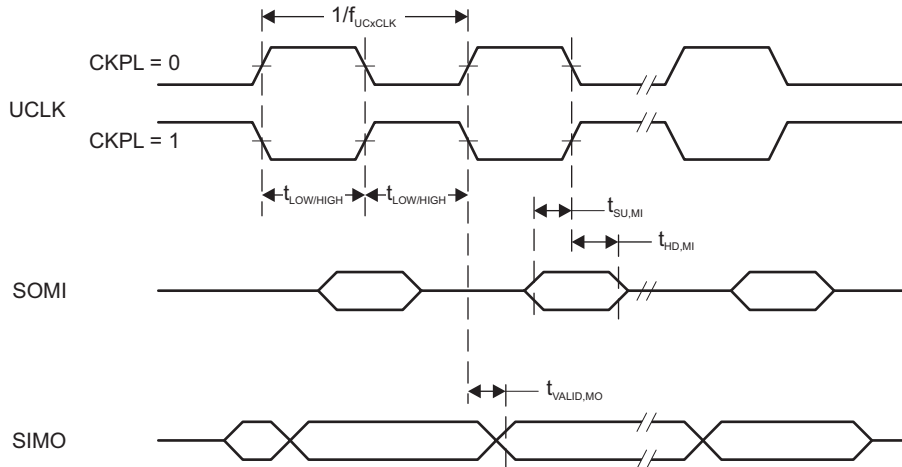


Figure 5-6. SPI Master Mode, CKPH = 0

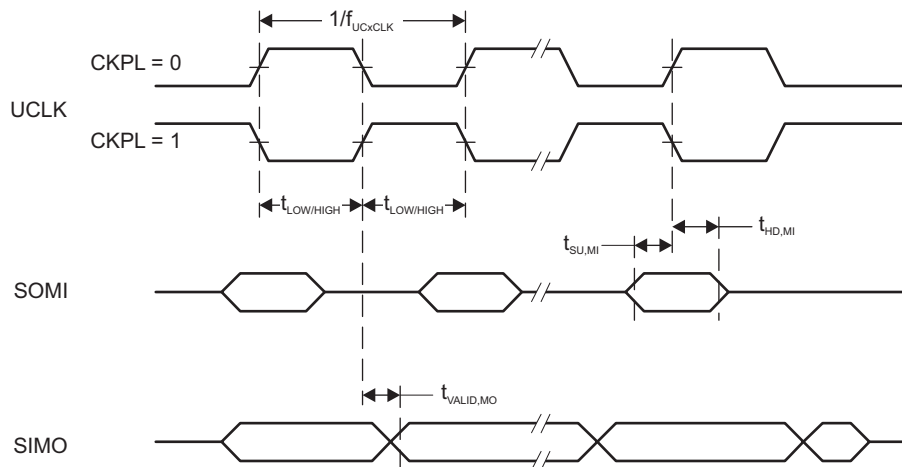


Figure 5-7. SPI Master Mode, CKPH = 1

## 5.27 eUSCI (SPI Slave Mode)

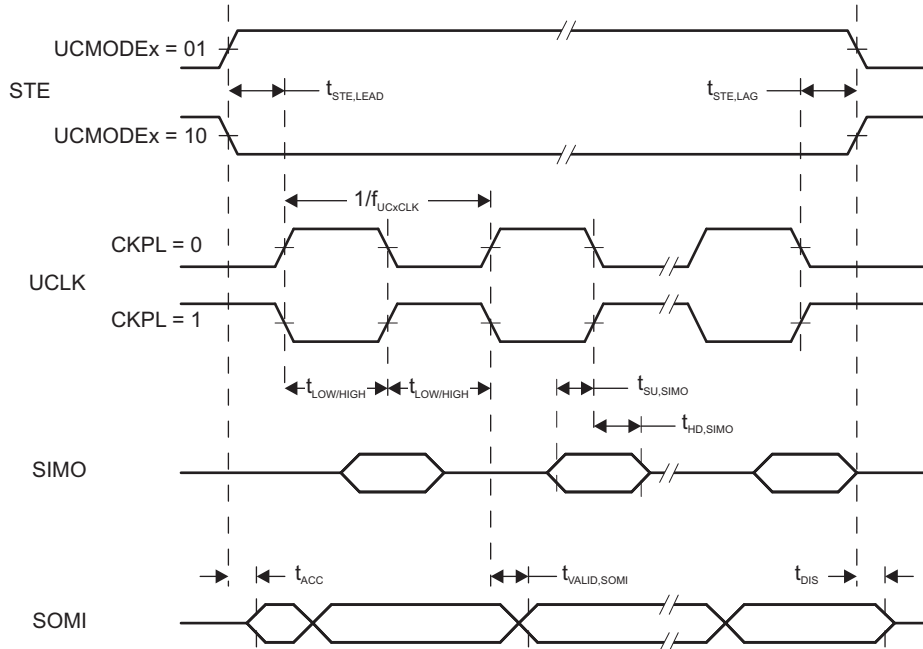
over recommended ranges of supply voltage and operating free-air temperature (unless otherwise noted) <sup>(1)</sup>

PARAMETER		TEST CONDITIONS	V <sub>CC</sub>	MIN	TYP	MAX	UNIT
t <sub>STE,LEAD</sub>	STE lead time, STE active to clock		2 V	7			ns
			3 V	7			
t <sub>STE,LAG</sub>	STE lag time, Last clock to STE inactive		2 V	0			ns
			3 V	0			
t <sub>STE,ACC</sub>	STE access time, STE active to SOMI data out		2 V			65	ns
			3 V			40	
t <sub>STE,DIS</sub>	STE disable time, STE inactive to SOMI high impedance		2 V			40	ns
			3 V			35	
t <sub>SU,SI</sub>	SIMO input data setup time		2 V	2			ns
			3 V	2			
t <sub>HD,SI</sub>	SIMO input data hold time		2 V	5			ns
			3 V	5			
t <sub>VALID,SO</sub>	SOMI output data valid time <sup>(2)</sup>	UCLK edge to SOMI valid, C <sub>L</sub> = 20 pF	2 V			30	ns
			3 V			30	
t <sub>HD,SO</sub>	SOMI output data hold time <sup>(3)</sup>	C <sub>L</sub> = 20 pF	2 V	4			ns
			3 V	4			

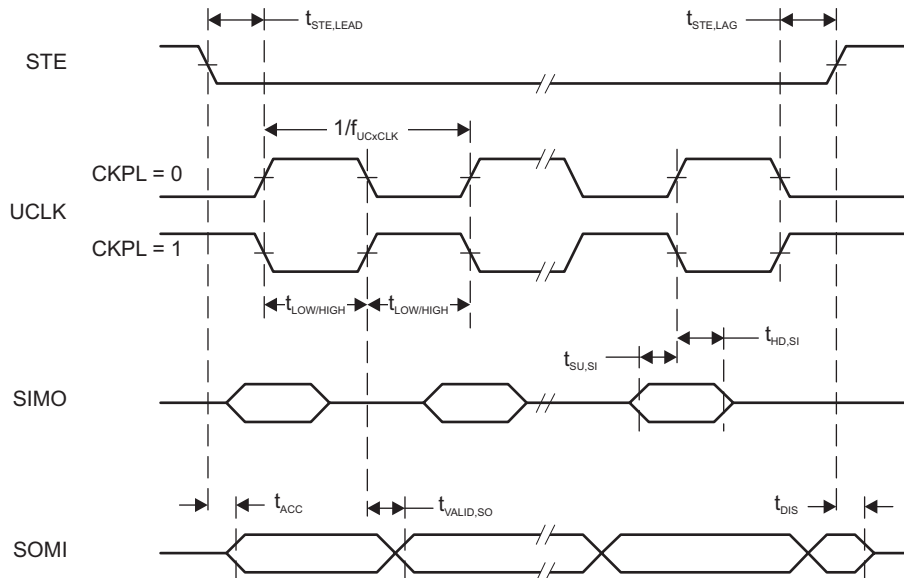
(1)  $f_{UCxCLK} = 1/2t_{LO/HI}$  with  $t_{LO/HI} \geq \max(t_{VALID,MO(Master)} + t_{SU,SI(eUSCI)}, t_{SU,MI(Master)} + t_{VALID,SO(eUSCI)})$ .

For the master parameters  $t_{SU,MI(Master)}$  and  $t_{VALID,MO(Master)}$  see the SPI parameters of the attached slave.

- (2) Specifies the time to drive the next valid data to the SOMI output after the output changing UCLK clock edge. See the timing diagrams in [Figure 5-8](#) and [Figure 5-9](#).
- (3) Specifies how long data on the SOMI output is valid after the output changing UCLK clock edge. See the timing diagrams in [Figure 5-8](#) and [Figure 5-9](#).



**Figure 5-8. SPI Slave Mode, CKPH = 0**



**Figure 5-9. SPI Slave Mode, CKPH = 1**



### 5.28 eUSCI (I<sup>2</sup>C Mode)

over recommended ranges of supply voltage and operating free-air temperature (unless otherwise noted) (see [Figure 5-10](#))

PARAMETER	TEST CONDITIONS	V <sub>CC</sub>	MIN	TYP	MAX	UNIT
f <sub>eUSCI</sub>	eUSCI input clock frequency Internal: SMCLK, ACLK External: UCLK Duty cycle = 50% ±10%			f <sub>SYSTEM</sub>		MHz
f <sub>SCL</sub>	SCL clock frequency	2 V, 3 V	0		400	kHz
t <sub>HD,STA</sub>	Hold time (repeated) START	f <sub>SCL</sub> = 100 kHz 2 V, 3 V	4.0			μs
		f <sub>SCL</sub> > 100 kHz	0.6			
t <sub>SU,STA</sub>	Setup time for a repeated START	f <sub>SCL</sub> = 100 kHz 2 V, 3 V	4.7			μs
		f <sub>SCL</sub> > 100 kHz	0.6			
t <sub>HD,DAT</sub>	Data hold time	2 V, 3 V	0			ns
t <sub>SU,DAT</sub>	Data setup time	2 V, 3 V	250			ns
t <sub>SU,STO</sub>	Setup time for STOP	f <sub>SCL</sub> = 100 kHz 2 V, 3 V	4.0			μs
		f <sub>SCL</sub> > 100 kHz	0.6			
t <sub>SP</sub>	Pulse duration of spikes suppressed by input filter	2 V, 3 V	UCGLITx = 0	50	600	ns
			UCGLITx = 1	25	300	
			UCGLITx = 2	12.5	150	
			UCGLITx = 3	6.25	75	
t <sub>TIMEOUT</sub>	Clock low time-out	2 V, 3 V	UCCLTOx = 1	27	ms	
			UCCLTOx = 2	30		
			UCCLTOx = 3	33		

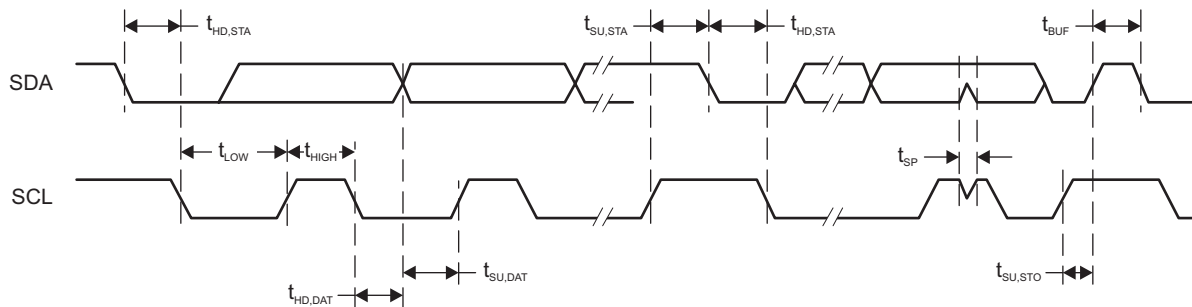


Figure 5-10. I<sup>2</sup>C Mode Timing

### 5.29 10-Bit ADC, Power Supply and Input Range Conditions

over operating free-air temperature range (unless otherwise noted)

PARAMETER		TEST CONDITIONS	V <sub>CC</sub>	MIN	TYP	MAX	UNIT
AV <sub>CC</sub>	Analog supply voltage	AV <sub>CC</sub> and DV <sub>CC</sub> are connected together, AV <sub>SS</sub> and DV <sub>SS</sub> are connected together, V <sub>(AVSS)</sub> = V <sub>(DVSS)</sub> = 0 V		2.0		3.6	V
V <sub>(Ax)</sub>	Analog input voltage range	All ADC10 pins		0		AV <sub>CC</sub>	V
I <sub>ADC10_A</sub>	Operating supply current into AV <sub>CC</sub> terminal, reference current not included	f <sub>ADC10CLK</sub> = 5 MHz, ADC10ON = 1, REFON = 0, SHT0 = 0, SHT1 = 0, ADC10DIV = 0	2 V		90	140	μA
			3 V		100	160	
C <sub>I</sub>	Input capacitance	Only one terminal Ax can be selected at one time from the pad to the ADC10_A capacitor array including wiring and pad	2.2 V		6	8	pF
R <sub>I</sub>	Input MUX ON resistance	AV <sub>CC</sub> ≥ 2 V, 0 V ≤ V <sub>Ax</sub> ≤ AV <sub>CC</sub>				36	kΩ

### 5.30 10-Bit ADC, Timing Parameters

over operating free-air temperature range (unless otherwise noted)

PARAMETER		TEST CONDITIONS	V <sub>CC</sub>	MIN	TYP	MAX	UNIT
f <sub>ADC10CLK</sub>		For specified performance of ADC10 linearity parameters	2 V to 3.6 V	0.45	5	5.5	MHz
f <sub>ADC10OSC</sub>	Internal ADC10 oscillator (MODOSC)	ADC10DIV = 0, f <sub>ADC10CLK</sub> = f <sub>ADC10OSC</sub>	2 V to 3.6 V	4.5	4.5	5.5	MHz
t <sub>CONVERT</sub>	Conversion time	REFON = 0, Internal oscillator, 12 ADC10CLK cycles, 10-bit mode, f <sub>ADC10OSC</sub> = 4.5 MHz to 5.5 MHz	2 V to 3.6 V	2.18		2.67	μs
		External f <sub>ADC10CLK</sub> from ACLK, MCLK, or SMCLK, ADC10SSEL ≠ 0	2 V to 3.6 V		(1)		
t <sub>ADC10ON</sub>	Turnon settling time of the ADC	The error in a conversion started after t <sub>ADC10ON</sub> is less than ±0.5 LSB, Reference and input signal already settled				100	ns
t <sub>Sample</sub>	Sampling time	R <sub>S</sub> = 1000 Ω, R <sub>I</sub> = 36000 Ω, C <sub>I</sub> = 3.5 pF, Approximately eight Tau (τ) are required to get an error of less than ±0.5 LSB	2 V	1.5			μs
			3 V	2.0			

(1) 12 × ADC10DIV × 1/f<sub>ADC10CLK</sub>

### 5.31 10-Bit ADC, Linearity Parameters

over operating free-air temperature range (unless otherwise noted)

PARAMETER		TEST CONDITIONS	V <sub>CC</sub>	MIN	TYP	MAX	UNIT
E <sub>I</sub>	Integral linearity error	1.4 V ≤ (V <sub>eREF+</sub> - V <sub>REF-</sub> /N <sub>eREF-</sub> )min ≤ 1.6 V	2 V to 3.6 V	-1.4		1.4	LSB
		1.6 V < (V <sub>eREF+</sub> - V <sub>REF-</sub> /N <sub>eREF-</sub> )min ≤ V <sub>AVCC</sub>		-1.1		1.1	
E <sub>D</sub>	Differential linearity error	(V <sub>eREF+</sub> - V <sub>REF-</sub> /N <sub>eREF-</sub> )min ≤ (V <sub>eREF+</sub> - V <sub>REF-</sub> /N <sub>eREF-</sub> )	2 V to 3.6 V	-1		1	LSB
E <sub>O</sub>	Offset error	(V <sub>eREF+</sub> - V <sub>REF-</sub> /N <sub>eREF-</sub> )min ≤ (V <sub>eREF+</sub> - V <sub>REF-</sub> /N <sub>eREF-</sub> )	2 V to 3.6 V	-6.5		6.5	mV
E <sub>G</sub>	Gain error, external reference	(V <sub>eREF+</sub> - V <sub>REF-</sub> /N <sub>eREF-</sub> )min ≤ (V <sub>eREF+</sub> - V <sub>REF-</sub> /N <sub>eREF-</sub> )	2 V to 3.6 V	-1.2		1.2	LSB
	Gain error, internal reference <sup>(1)</sup>			-4%		4%	
E <sub>T</sub>	Total unadjusted error, external reference	(V <sub>eREF+</sub> - V <sub>REF-</sub> /N <sub>eREF-</sub> )min ≤ (V <sub>eREF+</sub> - V <sub>REF-</sub> /N <sub>eREF-</sub> )	2 V to 3.6 V	-2		2	LSB
	Total unadjusted error, internal reference <sup>(1)</sup>			-4%		4%	

(1) Error is dominated by the internal reference.

### 5.32 REF, External Reference

over recommended ranges of supply voltage and operating free-air temperature (unless otherwise noted) <sup>(1)</sup>

PARAMETER		TEST CONDITIONS	V <sub>CC</sub>	MIN	TYP	MAX	UNIT	
V <sub>eREF+</sub>	Positive external reference voltage input	V <sub>eREF+</sub> > V <sub>eREF-</sub> <sup>(2)</sup>		1.4		AV <sub>CC</sub>	V	
V <sub>eREF-</sub>	Negative external reference voltage input	V <sub>eREF+</sub> > V <sub>eREF-</sub> <sup>(3)</sup>		0		1.2	V	
(V <sub>eREF+</sub> – V <sub>eREF-</sub> )	Differential external reference voltage input	V <sub>eREF+</sub> > V <sub>eREF-</sub> <sup>(4)</sup>		1.4		AV <sub>CC</sub>	V	
I <sub>vREF+</sub> , I <sub>vREF-</sub>	Static input current	1.4 V ≤ V <sub>eREF+</sub> ≤ V <sub>AVCC</sub> , V <sub>eREF-</sub> = 0 V, f <sub>ADC10CLK</sub> = 5 MHz, ADC10SHTx = 1h, Conversion rate 200 kpsps	2.2 V, 3 V		-6		6	μA
		1.4 V ≤ V <sub>eREF+</sub> ≤ V <sub>AVCC</sub> , V <sub>eREF-</sub> = 0 V, f <sub>ADC10CLK</sub> = 5 MHz, ADC10SHTx = 8h, Conversion rate 20 kpsps	2.2 V, 3 V		-1		1	
C <sub>vREF+</sub> , C <sub>vREF-</sub>	Capacitance at VREF+ or VREF- terminal <sup>(5)</sup>				10		μF	

- (1) The external reference is used during ADC conversion to charge and discharge the capacitance array. The input capacitance, C<sub>i</sub>, is also the dynamic load for an external reference during conversion. The dynamic impedance of the reference supply should follow the recommendations on analog-source impedance to allow the charge to settle for 10-bit accuracy.
- (2) The accuracy limits the minimum positive external reference voltage. Lower reference voltage levels may be applied with reduced accuracy requirements.
- (3) The accuracy limits the maximum negative external reference voltage. Higher reference voltage levels may be applied with reduced accuracy requirements.
- (4) The accuracy limits minimum external differential reference voltage. Lower differential reference voltage levels may be applied with reduced accuracy requirements.
- (5) Two decoupling capacitors, 10 μF and 100 nF, should be connected to VREF to decouple the dynamic current required for an external reference source if it is used for the ADC10\_B. Also see the [MSP430FR57xx Family User's Guide](#).

### 5.33 REF, Built-In Reference

over recommended ranges of supply voltage and operating free-air temperature (unless otherwise noted)

PARAMETER		TEST CONDITIONS	V <sub>CC</sub>	MIN	TYP	MAX	UNIT
V <sub>REF+</sub>	Positive built-in reference voltage output	REFVSEL = {2} for 2.5 V, REFON = 1	3 V	2.4	2.5	2.6	V
		REFVSEL = {1} for 2 V, REFON = 1	3 V	1.92	2.0	2.08	
		REFVSEL = {0} for 1.5 V, REFON = 1	3 V	1.44	1.5	1.56	
AV <sub>CC(min)</sub>	AV <sub>CC</sub> minimum voltage, Positive built-in reference active	REFVSEL = {0} for 1.5 V		2.0			V
		REFVSEL = {1} for 2 V		2.2			
		REFVSEL = {2} for 2.5 V		2.7			
I <sub>REF+</sub>	Operating supply current into AV <sub>CC</sub> terminal <sup>(1)</sup>	f <sub>ADC10CLK</sub> = 5 MHz, REFON = 1, REFBURST = 0	3 V		33	45	μA
T <sub>REF+</sub>	Temperature coefficient of built-in reference	REFVSEL = {0, 1, 2}, REFON = 1			±35		ppm/°C
PSRR <sub>DC</sub>	Power supply rejection ratio (DC)	AV <sub>CC</sub> = AV <sub>CC(min)</sub> - AV <sub>CC(max)</sub> , T <sub>A</sub> = 25°C, REFON = 1, REFVSEL = {0} for 1.5 V			1600		μV/V
		AV <sub>CC</sub> = AV <sub>CC(min)</sub> - AV <sub>CC(max)</sub> , T <sub>A</sub> = 25°C, REFON = 1, REFVSEL = {1} for 2 V			1900		
		AV <sub>CC</sub> = AV <sub>CC(min)</sub> - AV <sub>CC(max)</sub> , T <sub>A</sub> = 25°C, REFON = 1, REFVSEL = {2} for 2.5 V			3600		
t <sub>SETTLE</sub>	Settling time of reference voltage <sup>(2)</sup>	AV <sub>CC</sub> = AV <sub>CC(min)</sub> - AV <sub>CC(max)</sub> , REFVSEL = {0, 1, 2}, REFON = 0 → 1			30		μs

- (1) The internal reference current is supplied by terminal AV<sub>CC</sub>. Consumption is independent of the ADC10ON control bit, unless a conversion is active. The REFON bit enables to settle the built-in reference before starting an A/D conversion.
- (2) The condition is that the error in a conversion started after t<sub>REFON</sub> is less than ±0.5 LSB.

### 5.34 REF, Temperature Sensor and Built-In $V_{MID}$

over recommended ranges of supply voltage and operating free-air temperature (unless otherwise noted)

PARAMETER		TEST CONDITIONS	$V_{CC}$	MIN	TYP	MAX	UNIT
$V_{SENSOR}$	See <sup>(1)</sup>	ADC10ON = 1, INCH = 0Ah, $T_A = 0^\circ C$	2 V, 3 V		790		mV
$TC_{SENSOR}$		ADC10ON = 1, INCH = 0Ah	2 V, 3 V		2.55		mV/ $^\circ C$
$t_{SENSOR(sample)}$	Sample time required if channel 10 is selected <sup>(2)</sup>	ADC10ON = 1, INCH = 0Ah, Error of conversion result $\leq 1$ LSB	2 V		30		$\mu s$
			3 V		30		
$V_{MID}$	$AV_{CC}$ divider at channel 11	ADC10ON = 1, INCH = 0Bh, $V_{MID}$ is $\sim 0.5 \times V_{AVCC}$	2 V	0.97	1.0	1.03	V
			3 V	1.46	1.5	1.54	
$t_{VMID(sample)}$	Sample time required if channel 11 is selected <sup>(3)</sup>	ADC10ON = 1, INCH = 0Bh, Error of conversion result $\leq 1$ LSB	2 V, 3 V	1000			ns

- (1) The temperature sensor offset can vary significantly. A single-point calibration is recommended to minimize the offset error of the built-in temperature sensor.
- (2) The typical equivalent impedance of the sensor is 51 k $\Omega$ . The sample time required includes the sensor-on time  $t_{SENSOR(on)}$ .
- (3) The on-time  $t_{VMID(on)}$  is included in the sampling time  $t_{VMID(sample)}$ ; no additional on time is needed.

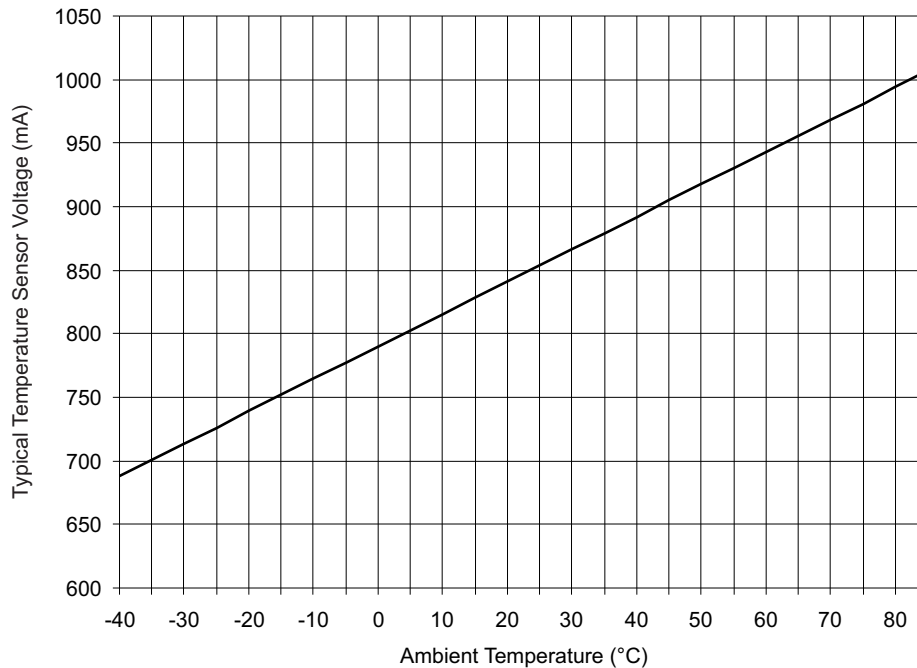


Figure 5-11. Typical Temperature Sensor Voltage

### 5.35 Comparator\_D

over operating free-air temperature range (unless otherwise noted)

PARAMETER	TEST CONDITIONS	MIN	TYP	MAX	UNIT
$t_{pd}$	Overdrive = 10 mV, VIN- = (VIN+ - 400 mV) to (VIN+ + 10 mV)	50	100	200	ns
	Overdrive = 100 mV, VIN- = (VIN+ - 400 mV) to (VIN+ + 100 mV)		80		
	Overdrive = 250 mV, (VIN+ - 400 mV) to (VIN+ + 250 mV)		50		
$t_{filter}$	CDF = 1, CDFDLX = 00	0.3	0.5	0.9	$\mu$ s
	CDF = 1, CDFDLX = 01	0.5	0.9	1.5	
	CDF = 1, CDFDLX = 10	0.9	1.6	2.8	
	CDF = 1, CDFDLX = 11	1.6	3.0	5.5	
$V_{offset}$	Input offset	AVCC = 2 V to 3.6 V			mV
$V_{ic}$	Common mode input range	AVCC = 2 V to 3.6 V			V
$I_{comp(AVCC)}$	Comparator only	CDON = 1, AVCC = 2 V to 3.6 V			$\mu$ A
$I_{ref(AVCC)}$	Reference buffer and R-ladder	CDREFLX = 01, AVCC = 2 V to 3.6 V			$\mu$ A
$t_{enable,comp}$	Comparator enable time	CDON = 0 to CDON = 1, AVCC = 2 V to 3.6 V			$\mu$ s
$t_{enable,r ladder}$	Resistor ladder enable time	CDON = 0 to CDON = 1, AVCC = 2 V to 3.6 V			$\mu$ s
$V_{CB\_REF}$	Reference voltage for a tap	VIN x (n + 0.5) / 32	VIN x (n + 1) / 32	VIN x (n + 1.5) / 32	V

### 5.36 FRAM

over recommended ranges of supply voltage and operating free-air temperature (unless otherwise noted)

PARAMETER	TEST CONDITIONS	MIN	TYP	MAX	UNIT
$DV_{CC(WRITE)}$	Write supply voltage	2.0		3.6	V
$t_{WRITE}$	Word or byte write time			120	ns
$t_{ACCESS}$	Read access time <sup>(1)</sup>			60	ns
$t_{PRECHARGE}$	Precharge time <sup>(1)</sup>			60	ns
$t_{CYCLE}$	Cycle time, read or write operation <sup>(1)</sup>	120			ns
	Read and write endurance	10 <sup>15</sup>			cycles
$t_{Retention}$	Data retention duration	T <sub>J</sub> = 25°C		100	years
		T <sub>J</sub> = 70°C		40	
		T <sub>J</sub> = 85°C		10	

(1) When using manual wait state control, see the [MSP430FR57xx Family User's Guide](#) for recommended settings for common system frequencies.

### 5.37 JTAG and Spy-Bi-Wire Interface

over recommended ranges of supply voltage and operating free-air temperature (unless otherwise noted)

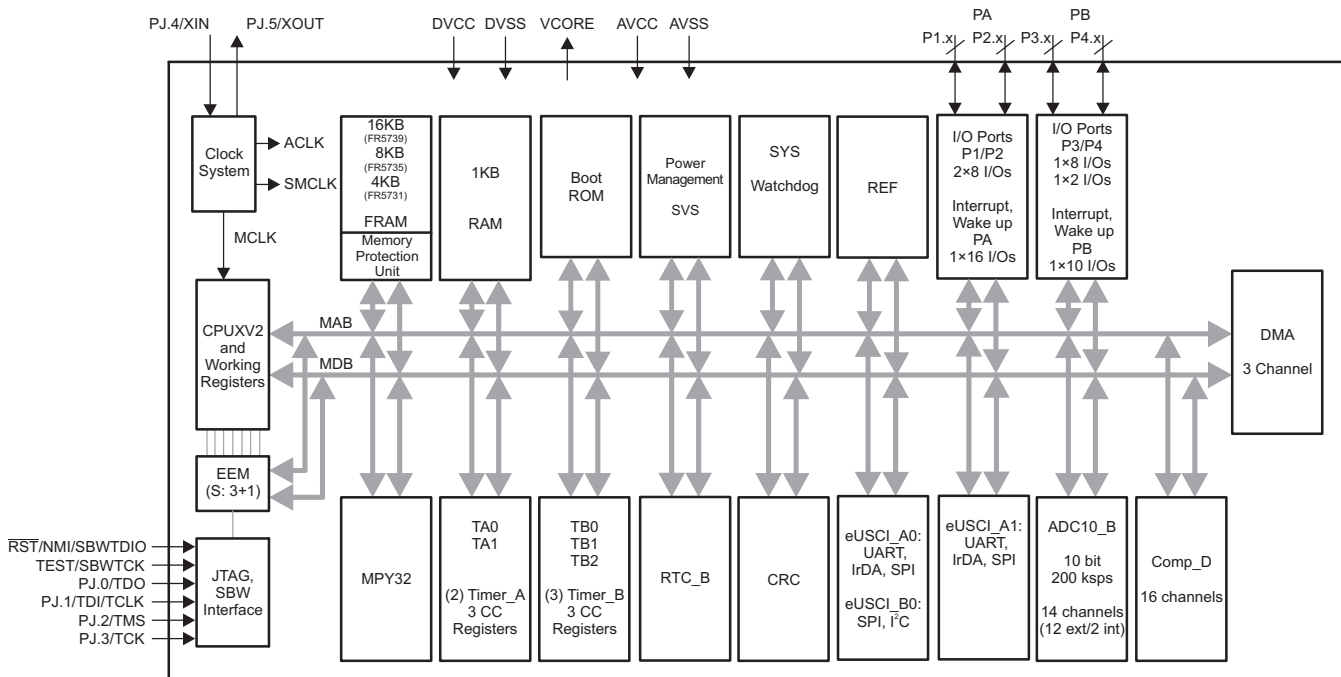
PARAMETER		V <sub>CC</sub>	MIN	TYP	MAX	UNIT
f <sub>SBW</sub>	Spy-Bi-Wire input frequency	2 V, 3 V	0		20	MHz
t <sub>SBW,Low</sub>	Spy-Bi-Wire low clock pulse duration	2 V, 3 V	0.025		15	µs
t <sub>SBW,En</sub>	Spy-Bi-Wire enable time (TEST high to acceptance of first clock edge) <sup>(1)</sup>	2 V, 3 V			1	µs
t <sub>SBW,Rst</sub>	Spy-Bi-Wire return to normal operation time		19		35	µs
f <sub>TCK</sub>	TCK input frequency, 4-wire JTAG <sup>(2)</sup>	2 V	0		5	MHz
		3 V	0		10	
R <sub>internal</sub>	Internal pulldown resistance on TEST	2 V, 3 V	20	35	50	kΩ

- (1) Tools that access the Spy-Bi-Wire and BSL interfaces must wait for the t<sub>SBW,En</sub> time after the first transition of the TEST/SBWTCK pin (low to high), before the second transition of the pin (high to low) during the entry sequence.  
(2) f<sub>TCK</sub> may be restricted to meet the timing requirements of the module selected.

## 6 Detailed Description

### 6.1 Functional Block Diagrams

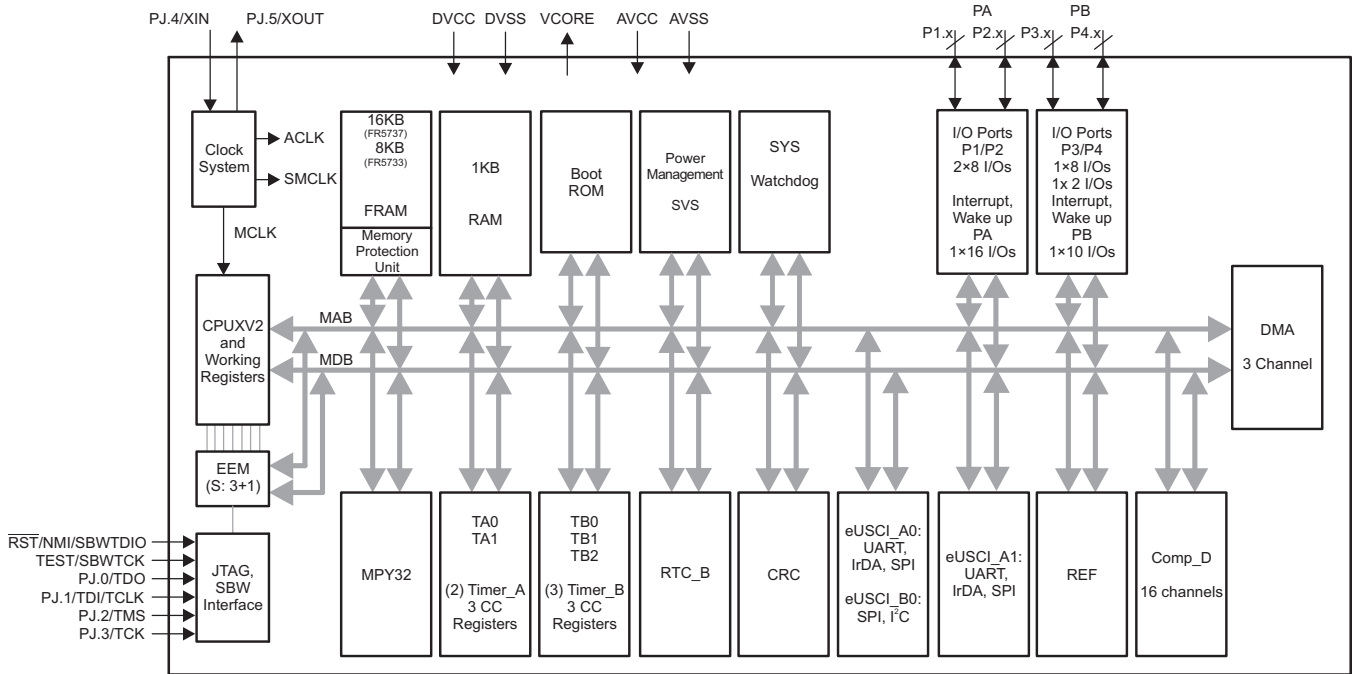
Figure 6-1 shows the functional block diagram for the MSP430FR5731, MSP430FR5735, and MSP430FR5739 in the RHA package.



Copyright © 2016, Texas Instruments Incorporated

Figure 6-1. Functional Block Diagram – RHA Package – MSP430FR5731, MSP430FR5735, MSP430FR5739

Figure 6-2 shows the functional block diagram for the MSP430FR5733 and MSP430FR5737 devices in the RHA package.

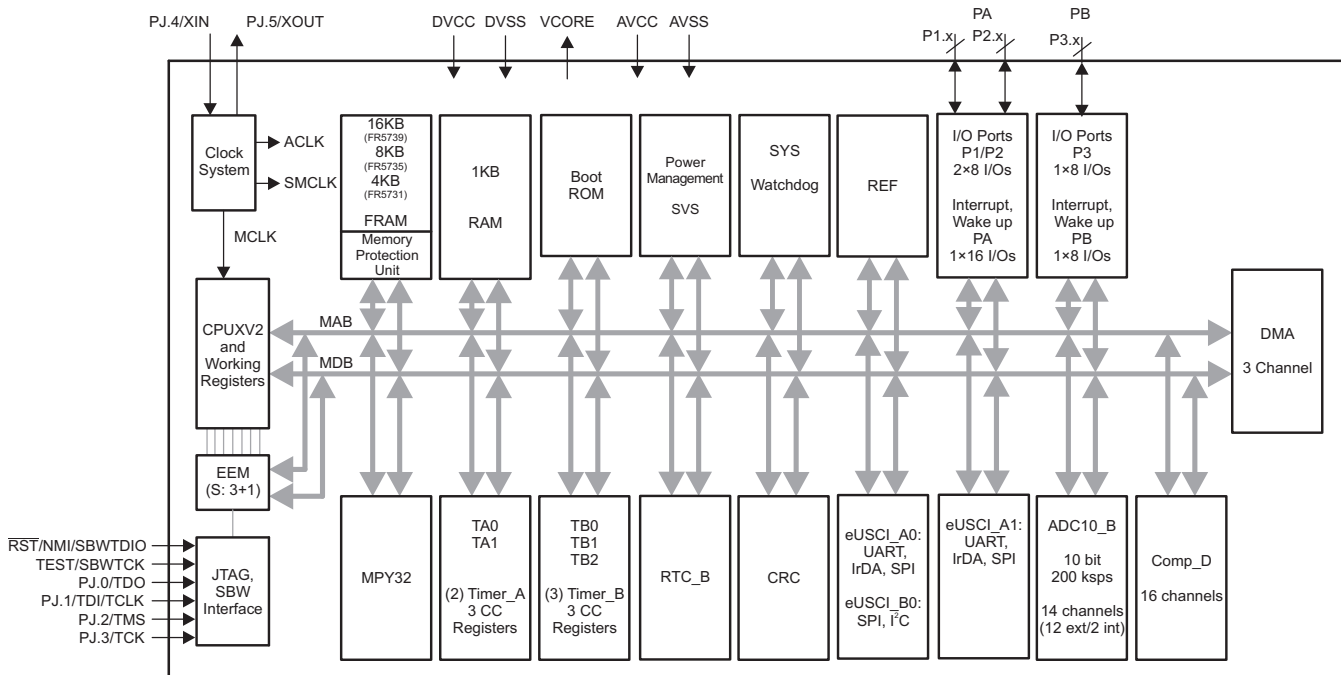


Copyright © 2016, Texas Instruments Incorporated

**Figure 6-2. Functional Block Diagram – RHA Package – MSP430FR5733, MSP430FR5737**



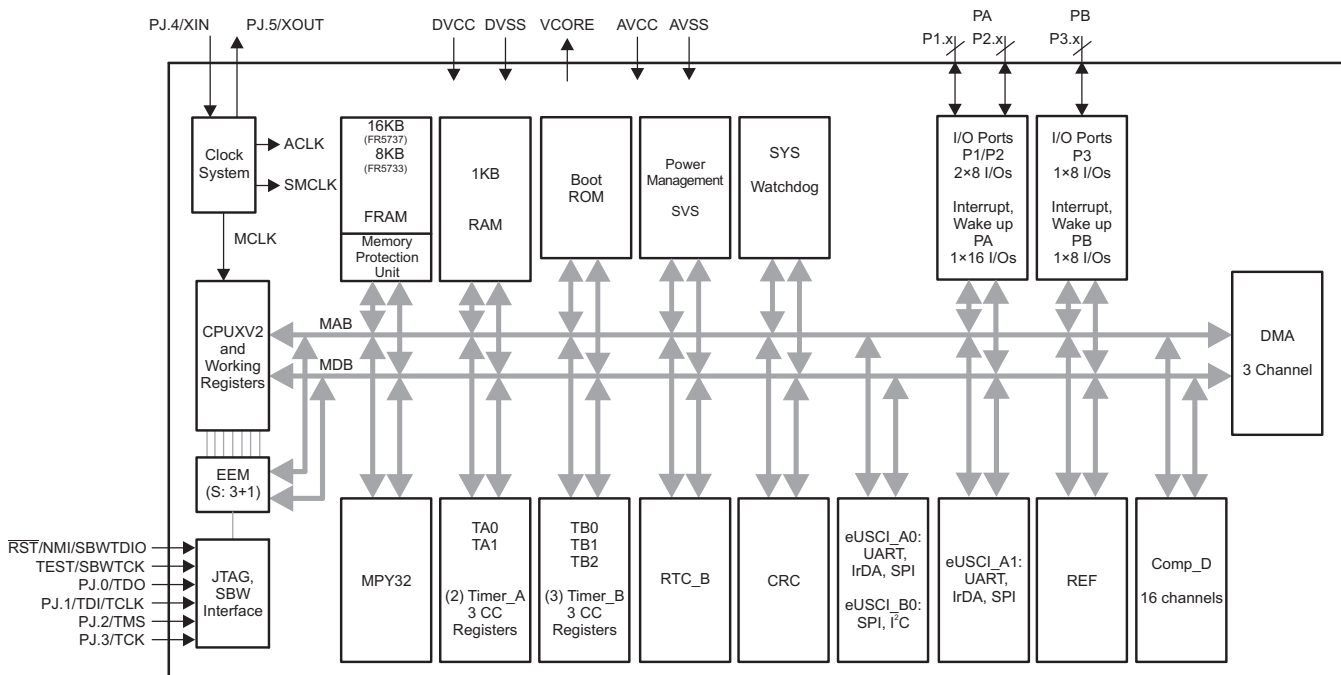
Figure 6-3 shows the functional block diagram for the MSP430FR5731, MSP430FR5735, and MSP430FR5739 devices in the DA package.



Copyright © 2016, Texas Instruments Incorporated

Figure 6-3. Functional Block Diagram – DA Package – MSP430FR5731, MSP430FR5735, MSP430FR5739

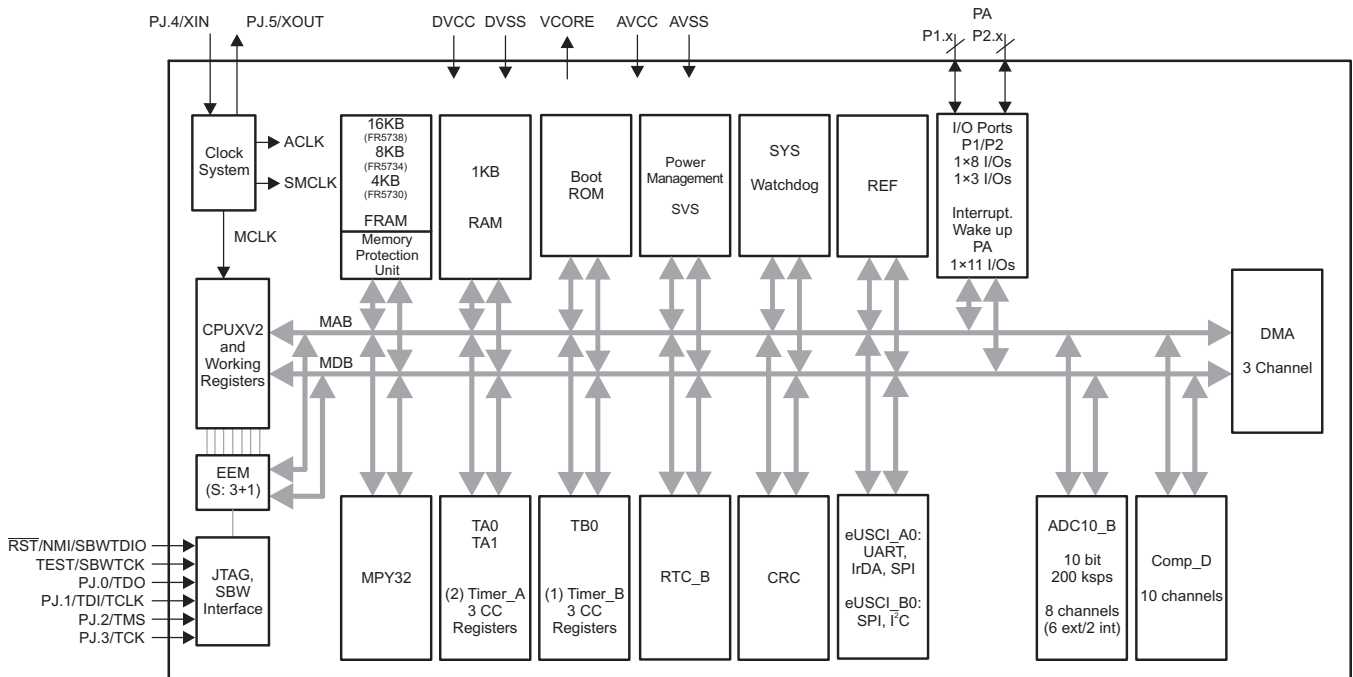
Figure 6-4 shows the functional block diagram for the MSP430FR5733 and MSP430FR5737 devices in the DA package.



Copyright © 2016, Texas Instruments Incorporated

Figure 6-4. Functional Block Diagram – DA Package – MSP430FR5733, MSP430FR5737

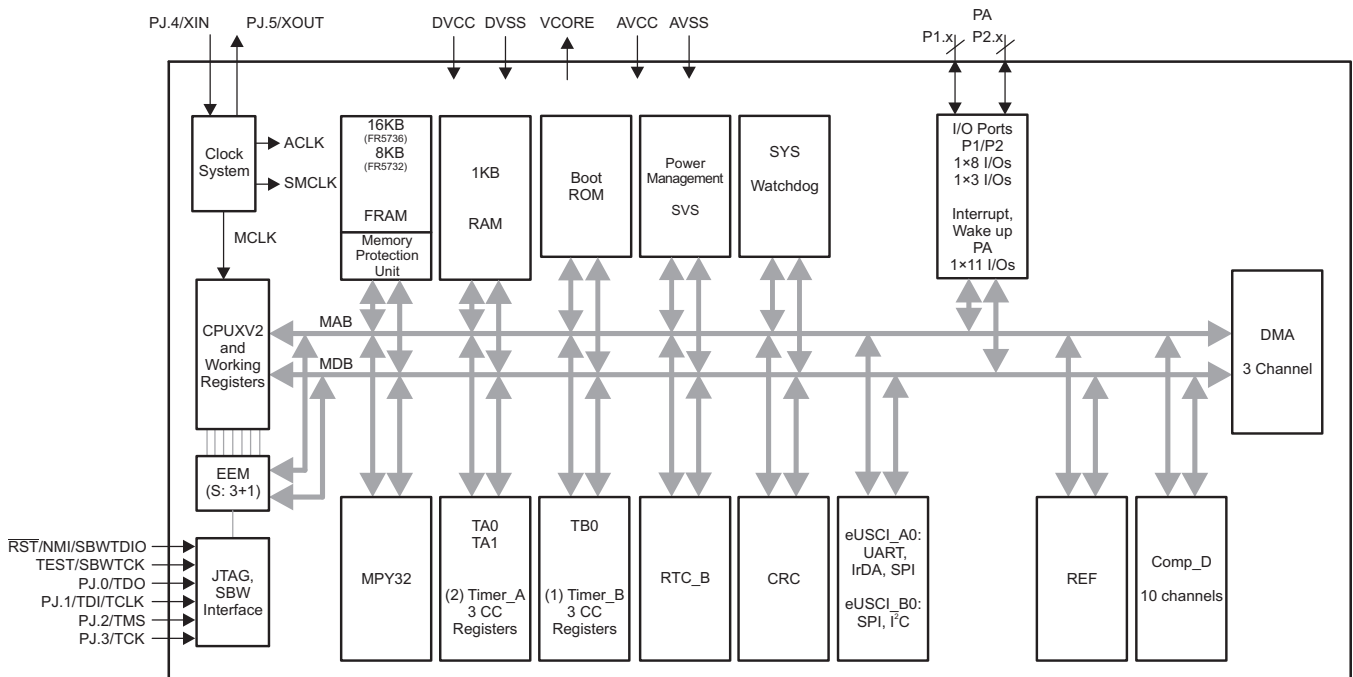
Figure 6-5 shows the functional block diagram for the MSP430FR5730, MSP430FR5734, and MSP430FR5738 devices in the RGE and YQD packages.



Copyright © 2016, Texas Instruments Incorporated

Figure 6-5. Functional Block Diagram – RGE or YQD (FR5738 Only) Package – MSP430FR5730, MSP430FR5734, MSP430FR5738

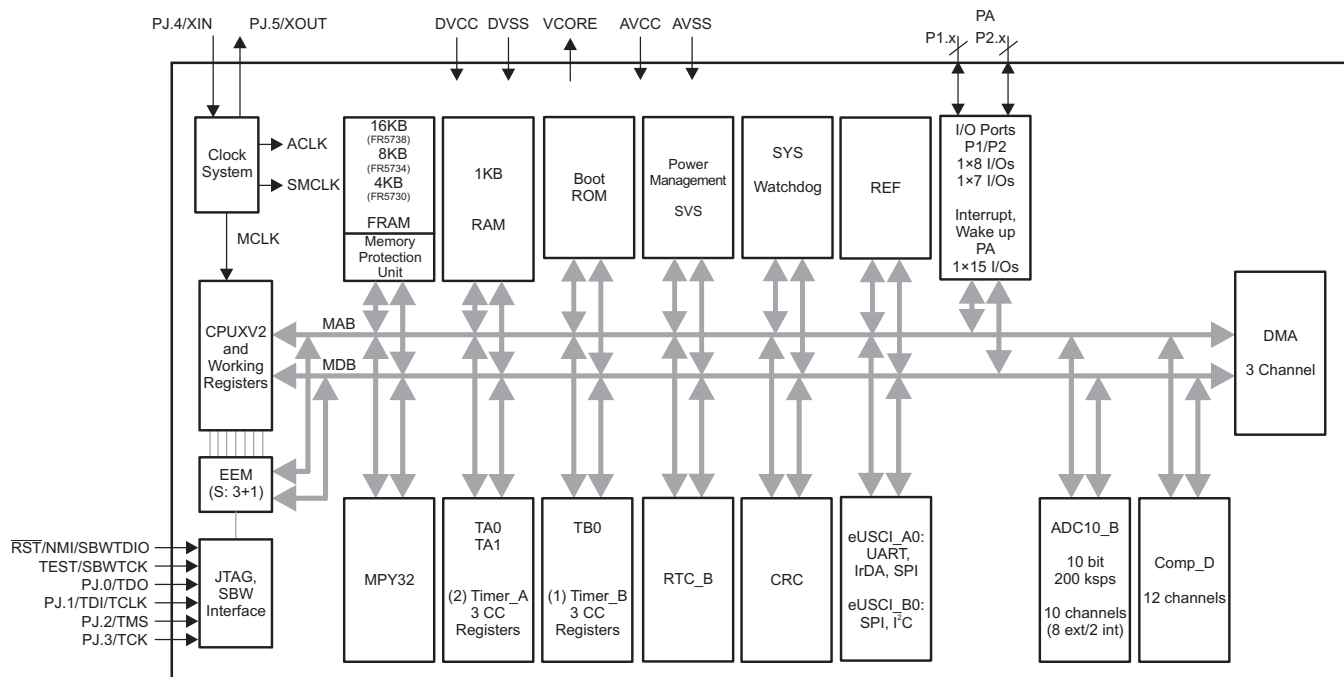
Figure 6-6 shows the functional block diagram for the MSP430FR5732 and MSP430FR5736 devices in the RGE package.



Copyright © 2016, Texas Instruments Incorporated

Figure 6-6. Functional Block Diagram – RGE Package – MSP430FR5732, MSP430FR5736

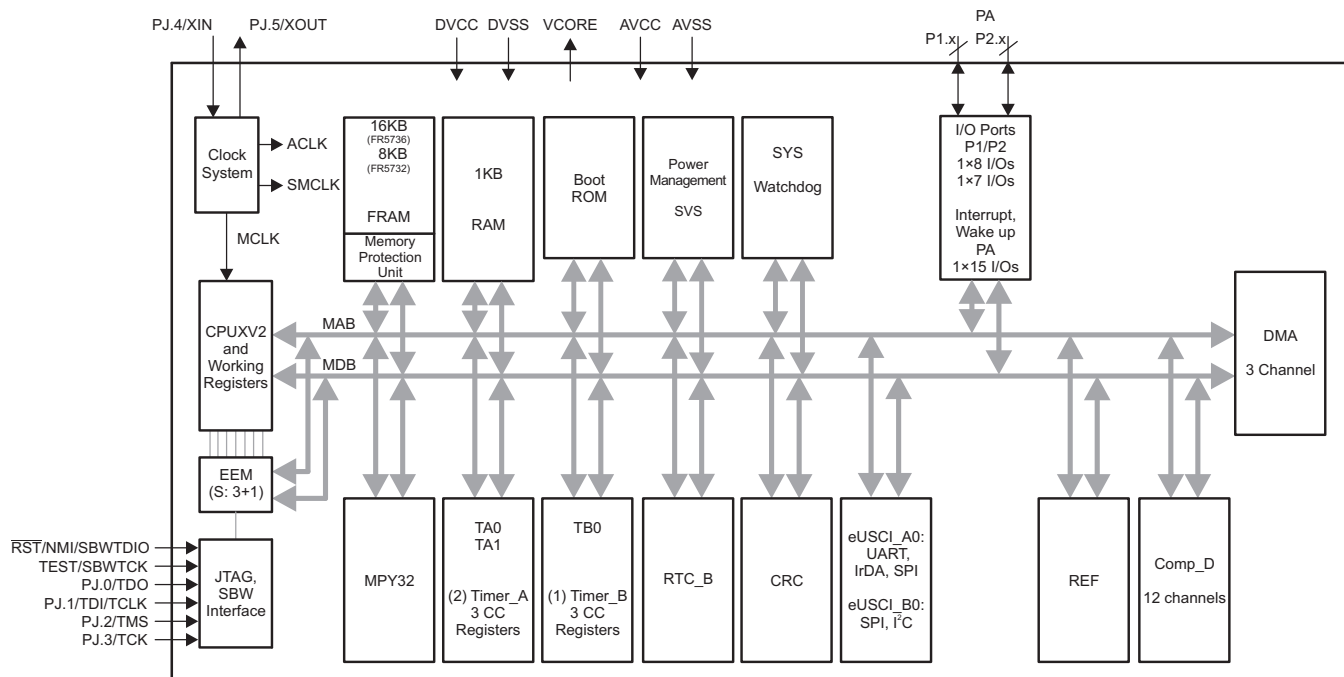
Figure 6-7 shows the functional block diagram for the MSP430FR5730, MSP430FR5734, and MSP430FR5738 devices in the PW package.



Copyright © 2016, Texas Instruments Incorporated

Figure 6-7. Functional Block Diagram – PW Package – MSP430FR5730, MSP430FR5734, MSP430FR5738

Figure 6-8 shows the functional block diagram for the MSP430FR5732 and MSP430FR5736 devices in the PW package.



Copyright © 2016, Texas Instruments Incorporated

Figure 6-8. Functional Block Diagram – PW Package – MSP430FR5732, MSP430FR5736

## 6.2 CPU

The MSP430 CPU has a 16-bit RISC architecture that is highly transparent to the application. All operations, other than program-flow instructions, are performed as register operations in conjunction with seven addressing modes for source operand and four addressing modes for destination operand.

The CPU is integrated with 16 registers that provide reduced instruction execution time. The register-to-register operation execution time is one cycle of the CPU clock.

Four of the registers, R0 to R3, are dedicated as program counter, stack pointer, status register, and constant generator, respectively. The remaining registers are general-purpose registers.

Peripherals are connected to the CPU using data, address, and control buses, and can be handled with all instructions.

The instruction set consists of the original 51 instructions with three formats and seven address modes and additional instructions for the expanded address range. Each instruction can operate on word and byte data.

## 6.3 Operating Modes

The MSP430 has one active mode and seven software-selectable low-power modes of operation. An interrupt event can wake up the device from low-power modes LPM0 through LPM4, service the request, and restore back to the low-power mode on return from the interrupt program. Low-power modes LPM3.5 and LPM4.5 disable the core supply to minimize power consumption.

The following eight operating modes can be configured by software:

- Active mode (AM)
  - All clocks are active
- Low-power mode 0 (LPM0)
  - CPU is disabled
  - ACLK active
  - MCLK disabled
  - SMCLK optionally active
  - Complete data retention
- Low-power mode 1 (LPM1)
  - CPU is disabled
  - ACLK active
  - MCLK disabled
  - SMCLK optionally active
  - DCO disabled
  - Complete data retention
- Low-power mode 2 (LPM2)
  - CPU is disabled
  - ACLK active
  - MCLK disabled
  - SMCLK optionally active
  - DCO disabled
  - Complete data retention
- Low-power mode 3 (LPM3)
  - CPU is disabled
  - ACLK active
  - MCLK and SMCLK disabled
  - DCO disabled
  - Complete data retention
- Low-power mode 4 (LPM4)
  - CPU is disabled
  - ACLK, MCLK, SMCLK disabled
  - Complete data retention
- Low-power mode 3.5 (LPM3.5)
  - RTC operation
  - Internal regulator disabled
  - No data retention
  - I/O pad state retention
  - Wake-up input from  $\overline{\text{RST}}$ , general-purpose I/O, RTC events
- Low-power mode 4.5 (LPM4.5)
  - Internal regulator disabled
  - No data retention
  - I/O pad state retention
  - Wake-up input from  $\overline{\text{RST}}$  and general-purpose I/O

## 6.4 Interrupt Vector Addresses

The interrupt vectors and the power-up start address are in the address range 0FFFFh to 0FF80h (see [Table 6-1](#)). The vector contains the 16-bit address of the appropriate interrupt-handler instruction sequence.

**Table 6-1. Interrupt Sources, Flags, and Vectors**

INTERRUPT SOURCE	INTERRUPT FLAG	SYSTEM INTERRUPT	WORD ADDRESS	PRIORITY
<b>System Reset</b> Power-Up, Brownout, Supply Supervisors External Reset $\overline{RST}$ Watchdog Time-out (Watchdog mode) WDT, FRCTL MPU, CS, PMM Password Violation FRAM double bit error detection MPU segment violation Software POR, BOR	SVSLIFG, SVSHIFG PMMRSTIFG WDTIFG WDTPW, FRCTLPW, MPUPW, CSPW, PMMPW DBDIFG MPUSEGIIFG, MPUSEG1IFG, MPUSEG2IFG, MPUSEG3IFG PMMPORIFG, PMMBORIFG (SYSRSTIV) <sup>(1) (2)</sup>	Reset	0FFFEh	63, highest
<b>System NMI</b> Vacant Memory Access JTAG Mailbox FRAM access time error FRAM single, double bit error detection	VMAIFG JMBNIFG, JMBOUTIFG ACCTIMIFG SBDIFG, DBDIFG (SYSSNIV) <sup>(1)</sup>	(Non)maskable	0FFFCCh	62
<b>User NMI</b> External NMI Oscillator Fault	NMIIIFG, OFIFG (SYSUNIV) <sup>(1) (2)</sup>	(Non)maskable	0FFFAh	61
Comparator_D	Comparator_D interrupt flags (CBIV) <sup>(1) (3)</sup>	Maskable	0FFF8h	60
TB0	TB0CCR0 CCIFG0 <sup>(3)</sup>	Maskable	0FFF6h	59
TB0	TB0CCR1 CCIFG1 to TB0CCR2 CCIFG2, TB0IFG (TB0IV) <sup>(1) (3)</sup>	Maskable	0FFF4h	58
Watchdog Timer (Interval Timer Mode)	WDTIFG	Maskable	0FFF2h	57
eUSCI_A0 Receive and Transmit	UCA0RXIFG, UCA0TXIFG (SPI mode) UCA0STTIFG, UCA0XCPTIFG, UCA0RXIFG, UCA0TXIFG (UART mode) (UCA0IV) <sup>(1) (3)</sup>	Maskable	0FFF0h	56
eUSCI_B0 Receive and Transmit	UCB0STTIFG, UCB0XCPTIFG, UCB0RXIFG, UCB0TXIFG (SPI mode) UCB0ALIFG, UCB0NACKIFG, UCB0STTIFG, UCB0STPIFG, UCB0RXIFG0, UCB0TXIFG0, UCB0RXIFG1, UCB0TXIFG1, UCB0RXIFG2, UCB0TXIFG2, UCB0RXIFG3, UCB0TXIFG3, UCB0CNTIFG, UCB0BIT9IFG (I <sup>2</sup> C mode) (UCB0IV) <sup>(1) (3)</sup>	Maskable	0FFEEh	55
ADC10_B	ADC10OVIFG, ADC10TOVIFG, ADC10HIIFG, ADC10LOIFG ADC10INIFG, ADC10IFG0 (ADC10IV) <sup>(1) (3) (4)</sup>	Maskable	0FFECCh	54
TA0	TA0CCR0 CCIFG0 <sup>(3)</sup>	Maskable	0FFEAh	53
TA0	TA0CCR1 CCIFG1 to TA0CCR2 CCIFG2, TA0IFG (TA0IV) <sup>(1) (3)</sup>	Maskable	0FFE8h	52

(1) Multiple source flags

(2) A reset is generated if the CPU tries to fetch instructions from within peripheral space or vacant memory space.

(Non)maskable: the individual interrupt-enable bit can disable an interrupt event, but the general-interrupt enable cannot disable it.

(3) Interrupt flags are located in the module.

(4) Only on devices with ADC, otherwise reserved.

**Table 6-1. Interrupt Sources, Flags, and Vectors (continued)**

INTERRUPT SOURCE	INTERRUPT FLAG	SYSTEM INTERRUPT	WORD ADDRESS	PRIORITY
eUSCI_A1 Receive and Transmit	UCA1RXIFG, UCA1TXIFG (SPI mode) UCA1STTIFG, UCA1TXCPTIFG, UCA1RXIFG, UXA1TXIFG (UART mode) (UCA1IV) <sup>(1) (3)</sup>	Maskable	0FFE6h	51
DMA	DMA0IFG, DMA1IFG, DMA2IFG (DMAIV) <sup>(1) (3)</sup>	Maskable	0FFE4h	50
TA1	TA1CCR0 CCIFG0 <sup>(3)</sup>	Maskable	0FFE2h	49
TA1	TA1CCR1 CCIFG1 to TA1CCR2 CCIFG2, TA1IFG (TA1IV) <sup>(1) (3)</sup>	Maskable	0FFE0h	48
I/O Port P1	P1IFG.0 to P1IFG.7 (P1IV) <sup>(1) (3)</sup>	Maskable	0FFDEh	47
TB1	TB1CCR0 CCIFG0 <sup>(3)</sup>	Maskable	0FFDCh	46
TB1	TB1CCR1 CCIFG1 to TB1CCR2 CCIFG2, TB1IFG (TB1IV) <sup>(1) (3)</sup>	Maskable	0FFDAh	45
I/O Port P2	P2IFG.0 to P2IFG.7 (P2IV) <sup>(1) (3)</sup>	Maskable	0FFD8h	44
TB2	TB2CCR0 CCIFG0 <sup>(3)</sup>	Maskable	0FFD6h	43
TB2	TB2CCR1 CCIFG1 to TB2CCR2 CCIFG2, TB2IFG (TB2IV) <sup>(1) (3)</sup>	Maskable	0FFD4h	42
I/O Port P3	P3IFG.0 to P3IFG.7 (P3IV) <sup>(1) (3)</sup>	Maskable	0FFD2h	41
I/O Port P4	P4IFG.0 to P4IFG.2 (P4IV) <sup>(1) (3)</sup>	Maskable	0FFD0h	40
RTC_B	RTCRDYIFG, RTCTEVIFG, RTCAIFG, RT0PSIFG, RT1PSIFG, RTCOFIFG (RTCIV) <sup>(1) (3)</sup>	Maskable	0FFCEh	39
Reserved	Reserved <sup>(5)</sup>		0FFCCh : 0FF80h	38 : 0, lowest

(5) Reserved interrupt vectors at addresses are not used in this device and can be used for regular program code if necessary. To maintain compatibility with other devices, it is recommended to reserve these locations.

## 6.5 Memory Organization

Table 6-2 describes the memory organization for all device variants.

**Table 6-2. Memory Organization<sup>(1)(2)</sup>**

		<b>MSP430FR5736 MSP430FR5737 MSP430FR5738 MSP430FR5739</b>	<b>MSP430FR5732 MSP430FR5733 MSP430FR5734 MSP430FR5735</b>	<b>MSP430FR5730 MSP430FR5731</b>
Memory (FRAM) Main: interrupt vectors Main: code memory	Total Size	15.5KB 00FFFFh–00FF80h 00FF7Fh–00C200h	8.0KB 00FFFFh–00FF80h 00FF7Fh–00E000h	4KB 00FFFFh–00FF80h 00FF7Fh–00F000h
RAM		1KB 001FFFh–001C00h	1KB 001FFFh–001C00h	1KB 001FFFh–001C00h
Device Descriptor Info (TLV) (FRAM)		128 B 001A7Fh–001A00h	128 B 001A7Fh–001A00h	128 B 001A7Fh–001A00h
Information memory (FRAM)	N/A	0019FFh–001980h Address space mirrored to Info A	0019FFh–001980h Address space mirrored to Info A	0019FFh–001980h Address space mirrored to Info A
	N/A	00197Fh–001900h Address space mirrored to Info B	00197Fh–001900h Address space mirrored to Info B	00197Fh–001900h Address space mirrored to Info B
	Info A	128 B 0018FFh–001880h	128 B 0018FFh–001880h	128 B 0018FFh–001880h
	Info B	128 B 00187Fh–001800h	128 B 00187Fh–001800h	128 B 00187Fh–001800h
Bootloader (BSL) memory (ROM)	BSL 3	512 B 0017FFh–001600h	512 B 0017FFh–001600h	512 B 0017FFh–001600h
	BSL 2	512 B 0015FFh–001400h	512 B 0015FFh–001400h	512 B 0015FFh–001400h
	BSL 1	512 B 0013FFh–001200h	512 B 0013FFh–001200h	512 B 0013FFh–001200h
	BSL 0	512 B 0011FFh–001000h	512 B 0011FFh–001000h	512 B 0011FFh–001000h
Peripherals	Size	4KB 000FFFh–0h	4KB 000FFFh–0h	4KB 000FFFh–0h

(1) N/A = Not available

(2) All address space not listed in this table is considered vacant memory.

## 6.6 Bootloader (BSL)

The BSL enables users to program the FRAM or RAM using a UART serial interface. Access to the device memory by the BSL is protected by an user-defined password. Use of the BSL requires four pins (see [Table 6-3](#)). BSL entry requires a specific entry sequence on the  $\overline{\text{RST}}/\text{NMI}/\text{SBWTDIO}$  and  $\text{TEST}/\text{SBWTCK}$  pins. For complete description of the features of the BSL and its implementation, see the [MSP430 Programming With the Bootloader User's Guide](#).

**Table 6-3. BSL Pin Requirements and Functions**

DEVICE SIGNAL	BSL FUNCTION
$\overline{\text{RST}}/\text{NMI}/\text{SBWTDIO}$	Entry sequence signal
$\text{TEST}/\text{SBWTCK}$	Entry sequence signal
P2.0	Data transmit
P2.1	Data receive
VCC	Power supply
VSS	Ground supply

## 6.7 JTAG Operation

### 6.7.1 JTAG Standard Interface

The MSP430 family supports the standard JTAG interface, which requires four signals for sending and receiving data. The JTAG signals are shared with general-purpose I/O. The  $\text{TEST}/\text{SBWTCK}$  pin is used to enable the JTAG signals. In addition to these signals, the  $\overline{\text{RST}}/\text{NMI}/\text{SBWTDIO}$  is required to interface with MSP430 development tools and device programmers. [Table 6-4](#) lists the JTAG pin requirements. For further details on interfacing to development tools and device programmers, see the [MSP430 Hardware Tools User's Guide](#). For a complete description of the features of the JTAG interface and its implementation, see [MSP430 Programming Via the JTAG Interface](#).

**Table 6-4. JTAG Pin Requirements and Functions**

DEVICE SIGNAL	DIRECTION	FUNCTION
PJ.3/TCK	IN	JTAG clock input
PJ.2/TMS	IN	JTAG state control
PJ.1/TDI/TCLK	IN	JTAG data input, TCLK input
PJ.0/TDO	OUT	JTAG data output
$\text{TEST}/\text{SBWTCK}$	IN	Enable JTAG pins
$\overline{\text{RST}}/\text{NMI}/\text{SBWTDIO}$	IN	External reset
VCC		Power supply
VSS		Ground supply



## 6.7.2 Spy-Bi-Wire Interface

In addition to the standard JTAG interface, the MSP430 family supports the 2-wire Spy-Bi-Wire interface. Spy-Bi-Wire can be used to interface with MSP430 development tools and device programmers. [Table 6-5](#) lists the Spy-Bi-Wire interface pin requirements. For further details on interfacing to development tools and device programmers, see the [MSP430 Hardware Tools User's Guide](#). For a complete description of the features of the JTAG interface and its implementation, see [MSP430 Programming Via the JTAG Interface](#).

**Table 6-5. Spy-Bi-Wire Pin Requirements and Functions**

DEVICE SIGNAL	DIRECTION	FUNCTION
TEST/SBWTCK	IN	Spy-Bi-Wire clock input
$\overline{\text{RST}}$ /NMI/SBWDIO	IN, OUT	Spy-Bi-Wire data input and output
VCC		Power supply
VSS		Ground supply

## 6.8 FRAM

The FRAM can be programmed through the JTAG port, Spy-Bi-Wire (SBW), the BSL, or in-system by the CPU. Features of the FRAM include:

- Low-power ultra-fast write nonvolatile memory
- Byte and word access capability
- Programmable and automated wait state generation
- Error correction coding (ECC) with single bit detection and correction, double bit detection

For important software design information regarding FRAM including but not limited to partitioning the memory layout according to application-specific code, constant, and data space requirements, the use of FRAM to optimize application energy consumption, and the use of the memory protection unit (MPU) to maximize application robustness by protecting the program code against unintended write accesses, see [MSP430™ FRAM Technology – How To and Best Practices](#).

## 6.9 Memory Protection Unit (MPU)

The FRAM can be protected from inadvertent CPU execution or write access by the MPU. Features of the MPU include:

- Main memory partitioning programmable up to three segments
- Access rights for each segment (main and information memory) can be individually selected
- Access violation flags with interrupt capability for easy servicing of access violations

## 6.10 Peripherals

Peripherals are connected to the CPU through data, address, and control buses. Peripherals can be managed using all instructions. For complete module descriptions, see the [MSP430FR57xx Family User's Guide](#).

### 6.10.1 Digital I/O

Up to four 8-bit I/O ports are implemented:

- All individual I/O bits are independently programmable.
- Any combination of input, output, and interrupt conditions is possible.
- Programmable pullup or pulldown on all ports.
- Edge-selectable interrupt and LPM3.5 and LPM4.5 wake-up input capability is available for all ports.
- Read and write access to port-control registers is supported by all instructions.
- Ports can be accessed byte-wise or word-wise in pairs.

### 6.10.2 Oscillator and Clock System (CS)

The clock system includes support for a 32-kHz watch crystal oscillator XT1 (LF mode), an internal very-low-power low-frequency oscillator (VLO), an integrated internal digitally controlled oscillator (DCO), and a high-frequency crystal oscillator XT1 (HF mode). The clock system module is designed to meet the requirements of both low system cost and low power consumption. A fail-safe mechanism exists for all crystal sources. The clock system module provides the following clock signals:

- Auxiliary clock (ACLK), sourced from a 32-kHz watch crystal (XT1 LF mode), a high-frequency crystal (XT1 HF mode), the internal VLO, or the internal DCO.
- Main clock (MCLK), the system clock used by the CPU. MCLK can be sourced by the same sources made available to ACLK.
- Sub-Main clock (SMCLK), the subsystem clock used by the peripheral modules. SMCLK can be sourced by the same sources made available to ACLK.

### 6.10.3 Power-Management Module (PMM)

The PMM includes an integrated voltage regulator that supplies the core voltage to the device. The PMM also includes supply voltage supervisor (SVS) and brownout protection. The brownout circuit is implemented to provide the proper internal reset signal to the device during power-on and power-off. The SVS circuitry detects if the supply voltage drops below a user-selectable safe level. SVS circuitry is available on the primary and core supplies.

### 6.10.4 Hardware Multiplier (MPY)

The multiplication operation is supported by a dedicated peripheral module. The module performs operations with 32-, 24-, 16-, and 8-bit operands. The module supports signed and unsigned multiplication as well as signed and unsigned multiply-and-accumulate operations.

### 6.10.5 Real-Time Clock (RTC\_B)

The RTC\_B module contains an integrated real-time clock (RTC) (calendar mode). Calendar mode integrates an internal calendar which compensates for months with fewer than 31 days and includes leap year correction. The RTC\_B also supports flexible alarm functions and offset-calibration hardware. RTC operation is available in LPM3.5 mode to minimize power consumption.

### 6.10.6 Watchdog Timer (WDT\_A)

The primary function of the WDT\_A module is to perform a controlled system restart after a software problem occurs. If the selected time interval expires, a system reset is generated. If the watchdog function is not needed in an application, the module can be configured as an interval timer and can generate interrupts at selected time intervals.

### 6.10.7 System Module (SYS)

The SYS module handles many of the system functions within the device. These include power-on reset (POR) and power-up clear (PUC) handling, NMI source selection and management, reset interrupt vector generators (see [Table 6-6](#)), bootloader entry mechanisms, and configuration management (device descriptors). It also includes a data exchange mechanism using JTAG called a JTAG mailbox that can be used in the application.

**Table 6-6. System Module Interrupt Vector Registers**

INTERRUPT VECTOR REGISTER	ADDRESS	INTERRUPT EVENT	VALUE	PRIORITY
SYSRSTIV, System Reset	019Eh	No interrupt pending	00h	
		Brownout (BOR)	02h	Highest
		RSTIFG $\overline{\text{RST}}$ /NMI (BOR)	04h	
		PMMSWBOR software BOR (BOR)	06h	
		LPMx.5 wake up (BOR)	08h	
		Security violation (BOR)	0Ah	
		SVSLIFG SVSL event (BOR)	0Ch	
		SVSHIFG SVSH event (BOR)	0Eh	
		Reserved	10h	
		Reserved	12h	
		PMMSWPOR software POR (POR)	14h	
		WDTIFG watchdog time-out (PUC)	16h	
		WDTPW password violation (PUC)	18h	
		FRCTLPW password violation (PUC)	1Ah	
		DBDIFG FRAM double bit error (PUC)	1Ch	
		Peripheral area fetch (PUC)	1Eh	
		PMMPW PMM password violation (PUC)	20h	
		MPUPW MPU password violation (PUC)	22h	
		CSPW CS password violation (PUC)	24h	
		MPUSEGIIIFG information memory segment violation (PUC)	26h	
		MPUSEG1IFG segment 1 memory violation (PUC)	28h	
		MPUSEG2IFG segment 2 memory violation (PUC)	2Ah	
		MPUSEG3IFG segment 3 memory violation (PUC)	2Ch	
Reserved	2Eh			
Reserved	30h to 3Eh	Lowest		
SYSSNIV, System NMI	019Ch	No interrupt pending	00h	
		DBDIFG FRAM double bit error	02h	Highest
		ACCTIMIIFG access time error	04h	
		Reserved	0Eh	
		VMAIFG Vacant memory access	10h	
		JMBINIFG JTAG mailbox input	12h	
		JMBOUTIFG JTAG mailbox output	14h	
		SBDIFG FRAM single bit error	16h	
		Reserved	18h to 1Eh	Lowest
SYSUNIV, User NMI	019Ah	No interrupt pending	00h	
		NMIIFG NMI pin	02h	Highest
		OFIFG oscillator fault	04h	
		Reserved	06h	
		Reserved	08h	
		Reserved	0Ah to 1Eh	Lowest

### 6.10.8 DMA Controller

The DMA controller allows movement of data from one memory address to another without CPU intervention. For example, the DMA controller can be used to move data from the ADC10\_B conversion memory to RAM. Using the DMA controller can increase the throughput of peripheral modules. The DMA controller reduces system power consumption by allowing the CPU to remain in sleep mode, without having to awaken to move data to or from a peripheral. [Table 6-7](#) lists all triggers to start DMA transfers.

**Table 6-7. DMA Trigger Assignments <sup>(1)</sup>**

TRIGGER	CHANNEL 0	CHANNEL 1	CHANNEL 2
0	DMAREQ	DMAREQ	DMAREQ
1	TA0CCR0 CCIFG	TA0CCR0 CCIFG	TA0CCR0 CCIFG
2	TA0CCR2 CCIFG	TA0CCR2 CCIFG	TA0CCR2 CCIFG
3	TA1CCR0 CCIFG	TA1CCR0 CCIFG	TA1CCR0 CCIFG
4	TA1CCR2 CCIFG	TA1CCR2 CCIFG	TA1CCR2 CCIFG
5	Reserved	Reserved	Reserved
6	Reserved	Reserved	Reserved
7	TB0CCR0 CCIFG	TB0CCR0 CCIFG	TB0CCR0 CCIFG
8	TB0CCR2 CCIFG	TB0CCR2 CCIFG	TB0CCR2 CCIFG
9	TB1CCR0 CCIFG <sup>(2)</sup>	TB1CCR0 CCIFG <sup>(2)</sup>	TB1CCR0 CCIFG <sup>(2)</sup>
10	TB1CCR2 CCIFG <sup>(2)</sup>	TB1CCR2 CCIFG <sup>(2)</sup>	TB1CCR2 CCIFG <sup>(2)</sup>
11	TB2CCR0 CCIFG <sup>(3)</sup>	TB2CCR0 CCIFG <sup>(3)</sup>	TB2CCR0 CCIFG <sup>(3)</sup>
12	TB2CCR2 CCIFG <sup>(3)</sup>	TB2CCR2 CCIFG <sup>(3)</sup>	TB2CCR2 CCIFG <sup>(3)</sup>
13	Reserved	Reserved	Reserved
14	UCA0RXIFG	UCA0RXIFG	UCA0RXIFG
15	UCA0TXIFG	UCA0TXIFG	UCA0TXIFG
16	UCA1RXIFG <sup>(4)</sup>	UCA1RXIFG <sup>(4)</sup>	UCA1RXIFG <sup>(4)</sup>
17	UCA1TXIFG <sup>(4)</sup>	UCA1TXIFG <sup>(4)</sup>	UCA1TXIFG <sup>(4)</sup>
18	UCB0RXIFG0	UCB0RXIFG0	UCB0RXIFG0
19	UCB0TXIFG0	UCB0TXIFG0	UCB0TXIFG0
20	UCB0RXIFG1	UCB0RXIFG1	UCB0RXIFG1
21	UCB0TXIFG1	UCB0TXIFG1	UCB0TXIFG1
22	UCB0RXIFG2	UCB0RXIFG2	UCB0RXIFG2
23	UCB0TXIFG2	UCB0TXIFG2	UCB0TXIFG2
24	UCB0RXIFG3	UCB0RXIFG3	UCB0RXIFG3
25	UCB0TXIFG3	UCB0TXIFG3	UCB0TXIFG3
26	ADC10IFGx <sup>(5)</sup>	ADC10IFGx <sup>(5)</sup>	ADC10IFGx <sup>(5)</sup>
27	Reserved	Reserved	Reserved
28	Reserved	Reserved	Reserved
29	MPY ready	MPY ready	MPY ready
30	DMA2IFG	DMA0IFG	DMA1IFG
31	DMAE0 <sup>(6)</sup>	DMAE0 <sup>(6)</sup>	DMAE0 <sup>(6)</sup>

- (1) If a reserved trigger source is selected, no trigger is generated.
- (2) Only on devices with TB1, otherwise reserved
- (3) Only on devices with TB2, otherwise reserved
- (4) Only on devices with eUSCI\_A1, otherwise reserved
- (5) Only on devices with ADC, otherwise reserved
- (6) This function is not available on YQD package types.

### 6.10.9 Enhanced Universal Serial Communication Interface (eUSCI)

The eUSCI modules are used for serial data communication. The eUSCI module supports synchronous communication protocols such as SPI (3-pin or 4-pin) and I<sup>2</sup>C, and asynchronous communication protocols such as UART, enhanced UART with automatic baudrate detection, and IrDA. Each eUSCI module contains two portions, A and B.

The eUSCI\_An module provides support for SPI (3-pin or 4-pin), UART, enhanced UART, or IrDA.

The eUSCI\_Bn module provides support for SPI (3-pin or 4-pin) or I<sup>2</sup>C.

The MSP430FR573x series include one or two eUSCI\_An modules (eUSCI\_A0, eUSCI\_A1) and one eUSCI\_Bn module (eUSCI\_B).

### 6.10.10 TA0, TA1

TA0 and TA1 are 16-bit timers/counters (Timer\_A type) with three capture/compare registers each. TA0 and TA1 can support multiple capture/compares, PWM outputs, and interval timing (see [Table 6-8](#) and [Table 6-9](#)). TA0 and TA1 have extensive interrupt capabilities. Interrupts may be generated from the counter on overflow conditions and from each of the capture/compare registers.

**Table 6-8. TA0 Signal Connections**

INPUT PIN NUMBER				DEVICE INPUT SIGNAL	MODULE INPUT SIGNAL	MODULE BLOCK	MODULE OUTPUT SIGNAL	DEVICE OUTPUT SIGNAL	OUTPUT PIN NUMBER			
RHA	RGE, YQD	DA	PW						RHA	RGE, YQD	DA	PW
3-P1.2	3-P1.2, C1-P1.2	7-P1.2	7-P1.2	TA0CLK	TACLK	Timer	N/A	N/A				
				ACLK (internal)	ACLK							
				SMCLK (internal)	SMCLK							
3-P1.2	3-P1.2, C1-P1.2	7-P1.2	7-P1.2	TA0CLK	TACLK	CCR0	TA0	TA0.0				
28-P1.6	16-P1.6, D5-P1.6	30-P1.6	22-P1.6	TA0.0	CCI0A				28-P1.6	16-P1.6, D5-P1.6	30-P1.6	22-P1.6
34-P2.3	N/A	36-P2.3	27-P2.3	TA0.0	CCI0B				34-P2.3	N/A	36-P2.3	27-P2.3
				DV <sub>SS</sub>	GND							
				DV <sub>CC</sub>	V <sub>CC</sub>							
1-P1.0	1-P1.0, N/A	5-P1.0	5-P1.0	TA0.1	CCI1A	CCR1	TA1	TA0.1	1-P1.0	1-P1.0, N/A	5-P1.0	5-P1.0
				CDOUT (internal)	CCI1B				ADC10 (internal) <sup>(1)</sup>	ADC10 (internal) <sup>(1)</sup>	ADC10 (internal) <sup>(1)</sup>	ADC10 (internal) <sup>(1)</sup>
									ADC10SHSx = {1}	ADC10SHSx = {1}	ADC10SHSx = {1}	ADC10SHSx = {1}
				DV <sub>SS</sub>	GND							
				DV <sub>CC</sub>	V <sub>CC</sub>							
2-P1.1	2-P1.1, D1-P1.1	6-P1.1	6-P1.1	TA0.2	CCI2A	CCR2	TA2	TA0.2	2-P1.1	2-P1.1, D1-P1.1	6-P1.1	6-P1.1
				ACLK (internal)	CCI2B							
				DV <sub>SS</sub>	GND							
				DV <sub>CC</sub>	V <sub>CC</sub>							

(1) Only on devices with ADC

**Table 6-9. TA1 Signal Connections**

INPUT PIN NUMBER				DEVICE INPUT SIGNAL	MODULE INPUT SIGNAL	MODULE BLOCK	MODULE OUTPUT SIGNAL	DEVICE OUTPUT SIGNAL	OUTPUT PIN NUMBER			
RHA	RGE, YQD	DA	PW						RHA	RGE, YQD	DA	PW
2-P1.1	2-P1.1, D1-P1.1	6-P1.1	6-P1.1	TA1CLK	TACLK	Timer	N/A	N/A				
				ACLK (internal)	ACLK							
				SMCLK (internal)	SMCLK							
2-P1.1	2-P1.1, D1-P1.1	6-P1.1	6-P1.1	TA1CLK	$\overline{\text{TACLK}}$							
29-P1.7	17-P1.7, C5-P1.7	31-P1.7	23-P1.7	TA1.0	CCI0A	CCR0	TA0	TA1.0	29-P1.7	17-P1.7, C5-P1.7	31-P1.7	23-P1.7
35-P2.4	N/A	37-P2.4	28-P2.4	TA1.0	CCI0B				35-P2.4	N/A	37-P2.4	28-P2.4
				DV <sub>SS</sub>	GND							
				DV <sub>CC</sub>	V <sub>CC</sub>							
3-P1.2	3-P1.2, N/A	7-P1.2	7-P1.2	TA1.1	CCH1A	CCR1	TA1	TA1.1	3-P1.2	3-P1.2, N/A	7-P1.2	7-P1.2
				CDOUT (internal)	CCH1B							
				DV <sub>SS</sub>	GND							
				DV <sub>CC</sub>	V <sub>CC</sub>							
8-P1.3	4-P1.3, B1-P1.3	12-P1.3	8-P1.3	TA1.2	CCI2A	CCR2	TA2	TA1.2	8-P1.3	4-P1.3, B1-P1.3	12-P1.3	8-P1.3
				ACLK (internal)	CCI2B							
				DV <sub>SS</sub>	GND							
				DV <sub>CC</sub>	V <sub>CC</sub>							

### 6.10.11 TB0, TB1, TB2

TB0, TB1, and TB2 are 16-bit timers/counters (Timer\_B type) with three capture/compare registers each. TB0, TB1, and TB2 can support multiple capture/compares, PWM outputs, and interval timing (see [Table 6-10](#) through [Table 6-12](#)). TB0, TB1, and TB2 have extensive interrupt capabilities. Interrupts may be generated from the counter on overflow conditions and from each of the capture/compare registers.

**Table 6-10. TB0 Signal Connections**

INPUT PIN NUMBER				DEVICE INPUT SIGNAL	MODULE INPUT SIGNAL	MODULE BLOCK	MODULE OUTPUT SIGNAL	DEVICE OUTPUT SIGNAL	OUTPUT PIN NUMBER			
RHA	RGE, YQD	DA	PW						RHA	RGE, YQD	DA	PW
21-P2.0	13-P2.0, A5-P2.0	23-P2.0	19-P2.0	TB0CLK	TBCLK	Timer	N/A	N/A				
				ACLK (internal)	ACLK							
				SMCLK (internal)	SMCLK							
21-P2.0	13-P2.0, A5-P2.0	23-P2.0	19-P2.0	TB0CLK	$\overline{\text{TBCLK}}$							
22-P2.1	14-P2.1, C4-P2.1	24-P2.1	20-P2.1	TB0.0	CCI0A	CCR0	TB0	TB0.0	22-P2.1	14-P2.1, C4-P2.1	24-P2.1	20-P2.1
17-P2.5	N/A	19-P2.5	15-P2.5	TB0.0	CCI0B				17-P2.5	N/A	19-P2.5	15-P2.5
				DV <sub>SS</sub>	GND				ADC10 (internal) <sup>(1)</sup> ADC10SHSx = {2}	ADC10 (internal) <sup>(1)</sup> ADC10SHSx = {2}	ADC10 (internal) <sup>(1)</sup> ADC10SHSx = {2}	ADC10 (internal) <sup>(1)</sup> ADC10SHSx = {2}
				DV <sub>CC</sub>	V <sub>CC</sub>							
9-P1.4	5-P1.4, B2-P1.4	13-P1.4	9-P1.4	TB0.1	CCI1A	CCR1	TB1	TB0.1	9-P1.4	5-P1.4, B2-P1.4	13-P1.4	9-P1.4
				CDOUT (internal)	CCI1B				ADC10 (internal) <sup>(1)</sup> ADC10SHSx = {3}	ADC10 (internal) <sup>(1)</sup> ADC10SHSx = {3}	ADC10 (internal) <sup>(1)</sup> ADC10SHSx = {3}	ADC10 (internal) <sup>(1)</sup> ADC10SHSx = {3}
				DV <sub>SS</sub>	GND							
				DV <sub>CC</sub>	V <sub>CC</sub>							
10-P1.5	6-P1.5, A1-P1.5	14-P1.5	19-P1.5	TB0.2	CCI2A	CCR2	TB2	TB0.2	10-P1.5	6-P1.5, A1-P1.5	14-P1.5	19-P1.5
				ACLK (internal)	CCI2B							
				DV <sub>SS</sub>	GND							
				DV <sub>CC</sub>	V <sub>CC</sub>							

(1) Only on devices with ADC

**Table 6-11. TB1 Signal Connections <sup>(1)</sup>**

INPUT PIN NUMBER				DEVICE INPUT SIGNAL	MODULE INPUT SIGNAL	MODULE BLOCK	MODULE OUTPUT SIGNAL	DEVICE OUTPUT SIGNAL	OUTPUT PIN NUMBER			
RHA	RGE, YQD	DA	PW						RHA	RGE, YQD	DA	PW
26-P3.6	N/A (DV <sub>SS</sub> ), N/A (DV <sub>SS</sub> )	28-P3.6	N/A (DV <sub>SS</sub> )	TB1CLK	TBCLK	Timer	N/A	N/A				
				ACLK (internal)	ACLK							
				SMCLK (internal)	SMCLK							
26-P3.6	N/A (DV <sub>SS</sub> ), N/A (DV <sub>SS</sub> )	28-P3.6	N/A (DV <sub>SS</sub> )	TB1CLK	$\overline{\text{TBCLK}}$							
23-P2.2	N/A (DV <sub>SS</sub> ), N/A (DV <sub>SS</sub> )	25-P2.2	N/A (DV <sub>SS</sub> )	TB1.0	CCI0A	CCR0	TB0	TB1.0	23-P2.2	N/A	25-P2.2	N/A
18-P2.6	N/A (DV <sub>SS</sub> ), N/A (DV <sub>SS</sub> )	20-P2.6	N/A (DV <sub>SS</sub> )	TB1.0	CCI0B				18-P2.6	N/A	20-P2.6	N/A
				DV <sub>SS</sub>	GND							
				DV <sub>CC</sub>	V <sub>CC</sub>							
28-P1.6	N/A (DV <sub>SS</sub> ), N/A (DV <sub>SS</sub> )	30-P1.6	N/A (DV <sub>SS</sub> )	TB1.1	CC1A	CCR1	TB1	TB1.1	28-P1.6	N/A	30-P1.6	N/A
24-P3.4	N/A (DV <sub>SS</sub> ), N/A (DV <sub>SS</sub> )	26-P3.4	N/A (DV <sub>SS</sub> )	TB1.1	CC1B				24-P3.4	N/A	26-P3.4	N/A
				DV <sub>SS</sub>	GND							
				DV <sub>CC</sub>	V <sub>CC</sub>							
29-P1.7	N/A (DV <sub>SS</sub> ), N/A (DV <sub>SS</sub> )	31-P1.7	N/A (DV <sub>SS</sub> )	TB1.2	CCI2A	CCR2	TB2	TB1.2	29-P1.7	N/A	31-P1.7	N/A
25-P3.5	N/A (DV <sub>SS</sub> ), N/A (DV <sub>SS</sub> )	27-P3.5	N/A (DV <sub>SS</sub> )	TB1.2	CCI2B				25-P3.5	N/A	27-P3.5	N/A
				DV <sub>SS</sub>	GND							
				DV <sub>CC</sub>	V <sub>CC</sub>							

(1) TB1 is not present on all device types.

**Table 6-12. TB2 Signal Connections <sup>(1)</sup>**

INPUT PIN NUMBER				DEVICE INPUT SIGNAL	MODULE INPUT SIGNAL	MODULE BLOCK	MODULE OUTPUT SIGNAL	DEVICE OUTPUT SIGNAL	OUTPUT PIN NUMBER			
RHA	RGE, YQD	DA	PW						RHA	RGE, YQD	DA	PW
24-P3.4	N/A (DV <sub>SS</sub> ), N/A (DV <sub>SS</sub> )	26-P3.4	N/A (DV <sub>SS</sub> )	TB2CLK	TBCLK	Timer	N/A	N/A				
				ACLK (internal)	ACLK							
				SMCLK (internal)	SMCLK							
24-P3.4	N/A (DV <sub>SS</sub> ), N/A (DV <sub>SS</sub> )	26-P3.4	N/A (DV <sub>SS</sub> )	TB2CLK	$\overline{\text{TBCLK}}$							
21-P2.0	N/A (DV <sub>SS</sub> ), N/A (DV <sub>SS</sub> )	23-P2.0	N/A (DV <sub>SS</sub> )	TB2.0	CCI0A	CCR0	TB0	TB2.0	21-P2.0	N/A	23-P2.0	N/A
15-P4.0	N/A (DV <sub>SS</sub> ), N/A (DV <sub>SS</sub> )	N/A (DV <sub>SS</sub> )	N/A (DV <sub>SS</sub> )	TB2.0	CCI0B				15-P4.0	N/A	36-P4.0	N/A
				DV <sub>SS</sub>	GND							
				DV <sub>CC</sub>	V <sub>CC</sub>							
22-P2.1	N/A (DV <sub>SS</sub> ), N/A (DV <sub>SS</sub> )	24-P2.1	N/A (DV <sub>SS</sub> )	TB2.1	CC1A	CCR1	TB1	TB2.1	22-P2.1	N/A	24-P2.1	N/A
26-P3.6	N/A (DV <sub>SS</sub> ), N/A (DV <sub>SS</sub> )	28-P3.6	N/A (DV <sub>SS</sub> )	TB2.1	CC1B				26-P3.6	N/A	28-P3.6	N/A
				DV <sub>SS</sub>	GND							
				DV <sub>CC</sub>	V <sub>CC</sub>							
23-P2.2	N/A (DV <sub>SS</sub> ), N/A (DV <sub>SS</sub> )	25-P2.2	N/A (DV <sub>SS</sub> )	TB2.2	CCI2A	CCR2	TB2	TB2.2	23-P2.2	N/A	25-P2.2	N/A
27-P3.7	N/A (DV <sub>SS</sub> ), N/A (DV <sub>SS</sub> )	29-P3.7	N/A (DV <sub>SS</sub> )	TB2.2	CCI2B				27-P3.7	N/A	29-P3.7	N/A
				DV <sub>SS</sub>	GND							
				DV <sub>CC</sub>	V <sub>CC</sub>							

(1) TB2 is not present on all device types.



### 6.10.12 *ADC10\_B*

The ADC10\_B module supports fast 10-bit analog-to-digital conversions. The module implements a 10-bit SAR core, sample select control, reference generator, and a conversion result buffer. A window comparator with lower and an upper limits allows CPU-independent result monitoring with three window comparator interrupt flags.

### 6.10.13 *Comparator\_D*

The primary function of the Comparator\_D module is to support precision slope analog-to-digital conversions, battery voltage supervision, and monitoring of external analog signals.

### 6.10.14 *CRC16*

The CRC16 module produces a signature based on a sequence of entered data values and can be used for data checking purposes. The CRC16 module signature is based on the CRC-CCITT standard.

### 6.10.15 *Shared Reference (REF)*

The REF module generates all of the critical reference voltages that can be used by the various analog peripherals in the device.

### 6.10.16 *Embedded Emulation Module (EEM)*

The EEM supports real-time in-system debugging. The S version of the EEM has the following features:

- Three hardware triggers or breakpoints on memory access
- One hardware trigger or breakpoint on CPU register write access
- Up to four hardware triggers can be combined to form complex triggers or breakpoints
- One cycle counter
- Clock control on module level

### 6.10.17 Peripheral File Map

Table 6-13 lists the base address and offset range of all available peripherals.

**Table 6-13. Peripherals**

MODULE NAME	BASE ADDRESS	OFFSET ADDRESS RANGE
Special Functions (see <a href="#">Table 6-14</a> )	0100h	000h–01Fh
PMM (see <a href="#">Table 6-15</a> )	0120h	000h–010h
FRAM Control (see <a href="#">Table 6-16</a> )	0140h	000h–00Fh
CRC16 (see <a href="#">Table 6-17</a> )	0150h	000h–007h
Watchdog (see <a href="#">Table 6-18</a> )	015Ch	000h–001h
CS (see <a href="#">Table 6-19</a> )	0160h	000h–00Fh
SYS (see <a href="#">Table 6-20</a> )	0180h	000h–01Fh
Shared Reference (see <a href="#">Table 6-21</a> )	01B0h	000h–001h
Port P1, P2 (see <a href="#">Table 6-22</a> )	0200h	000h–01Fh
Port P3, P4 (see <a href="#">Table 6-23</a> )	0220h	000h–01Fh
Port PJ (see <a href="#">Table 6-24</a> )	0320h	000h–01Fh
TA0 (see <a href="#">Table 6-25</a> )	0340h	000h–02Fh
TA1 (see <a href="#">Table 6-26</a> )	0380h	000h–02Fh
TB0 (see <a href="#">Table 6-27</a> )	03C0h	000h–02Fh
TB1 (see <a href="#">Table 6-28</a> )	0400h	000h–02Fh
TB2 (see <a href="#">Table 6-29</a> )	0440h	000h–02Fh
Real-Time Clock (RTC_B) (see <a href="#">Table 6-30</a> )	04A0h	000h–01Fh
32-Bit Hardware Multiplier (see <a href="#">Table 6-31</a> )	04C0h	000h–02Fh
DMA General Control (see <a href="#">Table 6-32</a> )	0500h	000h–00Fh
DMA Channel 0 (see <a href="#">Table 6-32</a> )	0510h	000h–00Ah
DMA Channel 1 (see <a href="#">Table 6-32</a> )	0520h	000h–00Ah
DMA Channel 2 (see <a href="#">Table 6-32</a> )	0530h	000h–00Ah
MPU Control (see <a href="#">Table 6-33</a> )	05A0h	000h–00Fh
eUSCI_A0 (see <a href="#">Table 6-34</a> )	05C0h	000h–01Fh
eUSCI_A1 (see <a href="#">Table 6-35</a> )	05E0h	000h–01Fh
eUSCI_B0 (see <a href="#">Table 6-36</a> )	0640h	000h–02Fh
ADC10_B (see <a href="#">Table 6-37</a> )	0700h	000h–03Fh
Comparator_D (see <a href="#">Table 6-38</a> )	08C0h	000h–00Fh

**Table 6-14. Special Function Registers (Base Address: 0100h)**

REGISTER DESCRIPTION	REGISTER	OFFSET
SFR interrupt enable	SFRIE1	00h
SFR interrupt flag	SFRIFG1	02h
SFR reset pin control	SFRRPCR	04h

**Table 6-15. PMM Registers (Base Address: 0120h)**

REGISTER DESCRIPTION	REGISTER	OFFSET
PMM Control 0	PMMCTL0	00h
PMM interrupt flags	PMMIFG	0Ah
PM5 control 0	PM5CTL0	10h

**Table 6-16. FRAM Control Registers (Base Address: 0140h)**

REGISTER DESCRIPTION	REGISTER	OFFSET
FRAM control 0	FRCTLCTL0	00h
General control 0	GCCTL0	04h
General control 1	GCCTL1	06h

**Table 6-17. CRC16 Registers (Base Address: 0150h)**

REGISTER DESCRIPTION	REGISTER	OFFSET
CRC data input	CRC16DI	00h
CRC data input reverse byte	CRCDIRB	02h
CRC initialization and result	CRCINIRES	04h
CRC result reverse byte	CRCRESR	06h

**Table 6-18. Watchdog Registers (Base Address: 015Ch)**

REGISTER DESCRIPTION	REGISTER	OFFSET
Watchdog timer control	WDTCTL	00h

**Table 6-19. CS Registers (Base Address: 0160h)**

REGISTER DESCRIPTION	REGISTER	OFFSET
CS control 0	CSCTL0	00h
CS control 1	CSCTL1	02h
CS control 2	CSCTL2	04h
CS control 3	CSCTL3	06h
CS control 4	CSCTL4	08h
CS control 5	CSCTL5	0Ah
CS control 6	CSCTL6	0Ch

**Table 6-20. SYS Registers (Base Address: 0180h)**

REGISTER DESCRIPTION	REGISTER	OFFSET
System control	SYSTL	00h
JTAG mailbox control	SYSJMB	06h
JTAG mailbox input 0	SYSJMBI0	08h
JTAG mailbox input 1	SYSJMBI1	0Ah
JTAG mailbox output 0	SYSJMBO0	0Ch
JTAG mailbox output 1	SYSJMBO1	0Eh
Bus Error vector generator	SYSBERRIV	18h
User NMI vector generator	SYSUNIV	1Ah
System NMI vector generator	SYSSNIV	1Ch
Reset vector generator	SYSRSTIV	1Eh

**Table 6-21. Shared Reference Registers (Base Address: 01B0h)**

REGISTER DESCRIPTION	REGISTER	OFFSET
Shared reference control	REFCTL	00h

**Table 6-22. Port P1, P2 Registers (Base Address: 0200h)**

REGISTER DESCRIPTION	REGISTER	OFFSET
Port P1 input	P1IN	00h
Port P1 output	P1OUT	02h
Port P1 direction	P1DIR	04h
Port P1 pullup/pulldown enable	P1REN	06h
Port P1 selection 0	P1SEL0	0Ah
Port P1 selection 1	P1SEL1	0Ch
Port P1 interrupt vector word	P1IV	0Eh
Port P1 complement selection	P1SELC	16h
Port P1 interrupt edge select	P1IES	18h
Port P1 interrupt enable	P1IE	1Ah
Port P1 interrupt flag	P1IFG	1Ch
Port P2 input	P2IN	01h
Port P2 output	P2OUT	03h
Port P2 direction	P2DIR	05h
Port P2 pullup/pulldown enable	P2REN	07h
Port P2 selection 0	P2SEL0	0Bh
Port P2 selection 1	P2SEL1	0Dh
Port P2 complement selection	P2SELC	17h
Port P2 interrupt vector word	P2IV	1Eh
Port P2 interrupt edge select	P2IES	19h
Port P2 interrupt enable	P2IE	1Bh
Port P2 interrupt flag	P2IFG	1Dh

**Table 6-23. Port P3, P4 Registers (Base Address: 0220h)**

REGISTER DESCRIPTION	REGISTER	OFFSET
Port P3 input	P3IN	00h
Port P3 output	P3OUT	02h
Port P3 direction	P3DIR	04h
Port P3 pullup/pulldown enable	P3REN	06h
Port P3 selection 0	P3SEL0	0Ah
Port P3 selection 1	P3SEL1	0Ch
Port P3 interrupt vector word	P3IV	0Eh
Port P3 complement selection	P3SELC	16h
Port P3 interrupt edge select	P3IES	18h
Port P3 interrupt enable	P3IE	1Ah
Port P3 interrupt flag	P3IFG	1Ch
Port P4 input	P4IN	01h
Port P4 output	P4OUT	03h
Port P4 direction	P4DIR	05h
Port P4 pullup/pulldown enable	P4REN	07h
Port P4 selection 0	P4SEL0	0Bh
Port P4 selection 1	P4SEL1	0Dh
Port P4 complement selection	P4SELC	17h
Port P4 interrupt vector word	P4IV	1Eh
Port P4 interrupt edge select	P4IES	19h
Port P4 interrupt enable	P4IE	1Bh
Port P4 interrupt flag	P4IFG	1Dh

**Table 6-24. Port J Registers (Base Address: 0320h)**

REGISTER DESCRIPTION	REGISTER	OFFSET
Port PJ input	PJIN	00h
Port PJ output	PJOUT	02h
Port PJ direction	PJDIR	04h
Port PJ pullup/pulldown enable	PJREN	06h
Port PJ selection 0	PJSEL0	0Ah
Port PJ selection 1	PJSEL1	0Ch
Port PJ complement selection	PJSELC	16h

**Table 6-25. TA0 Registers (Base Address: 0340h)**

REGISTER DESCRIPTION	REGISTER	OFFSET
TA0 control	TA0CTL	00h
Capture/compare control 0	TA0CCTL0	02h
Capture/compare control 1	TA0CCTL1	04h
Capture/compare control 2	TA0CCTL2	06h
TA0 counter	TA0R	10h
Capture/compare 0	TA0CCR0	12h
Capture/compare 1	TA0CCR1	14h
Capture/compare 2	TA0CCR2	16h
TA0 expansion 0	TA0EX0	20h
TA0 interrupt vector	TA0IV	2Eh

**Table 6-26. TA1 Registers (Base Address: 0380h)**

REGISTER DESCRIPTION	REGISTER	OFFSET
TA1 control	TA1CTL	00h
Capture/compare control 0	TA1CCTL0	02h
Capture/compare control 1	TA1CCTL1	04h
Capture/compare control 2	TA1CCTL2	06h
TA1 counter	TA1R	10h
Capture/compare 0	TA1CCR0	12h
Capture/compare 1	TA1CCR1	14h
Capture/compare 2	TA1CCR2	16h
TA1 expansion 0	TA1EX0	20h
TA1 interrupt vector	TA1IV	2Eh

**Table 6-27. TB0 Registers (Base Address: 03C0h)**

REGISTER DESCRIPTION	REGISTER	OFFSET
TB0 control	TB0CTL	00h
Capture/compare control 0	TB0CCTL0	02h
Capture/compare control 1	TB0CCTL1	04h
Capture/compare control 2	TB0CCTL2	06h
TB0 counter	TB0R	10h
Capture/compare 0	TB0CCR0	12h
Capture/compare 1	TB0CCR1	14h
Capture/compare 2	TB0CCR2	16h
TB0 expansion 0	TB0EX0	20h
TB0 interrupt vector	TB0IV	2Eh

**Table 6-28. TB1 Registers (Base Address: 0400h)**

REGISTER DESCRIPTION	REGISTER	OFFSET
TB1 control	TB1CTL	00h
Capture/compare control 0	TB1CCTL0	02h
Capture/compare control 1	TB1CCTL1	04h
Capture/compare control 2	TB1CCTL2	06h
TB1 counter	TB1R	10h
Capture/compare 0	TB1CCR0	12h
Capture/compare 1	TB1CCR1	14h
Capture/compare 2	TB1CCR2	16h
TB1 expansion 0	TB1EX0	20h
TB1 interrupt vector	TB1IV	2Eh

**Table 6-29. TB2 Registers (Base Address: 0440h)**

REGISTER DESCRIPTION	REGISTER	OFFSET
TB2 control	TB2CTL	00h
Capture/compare control 0	TB2CCTL0	02h
Capture/compare control 1	TB2CCTL1	04h
Capture/compare control 2	TB2CCTL2	06h
TB2 counter	TB2R	10h
Capture/compare 0	TB2CCR0	12h
Capture/compare 1	TB2CCR1	14h
Capture/compare 2	TB2CCR2	16h
TB2 expansion 0	TB2EX0	20h
TB2 interrupt vector	TB2IV	2Eh

**Table 6-30. Real-Time Clock Registers (Base Address: 04A0h)**

REGISTER DESCRIPTION	REGISTER	OFFSET
RTC control 0	RTCCTL0	00h
RTC control 1	RTCCTL1	01h
RTC control 2	RTCCTL2	02h
RTC control 3	RTCCTL3	03h
RTC prescaler 0 control	RTCPS0CTL	08h
RTC prescaler 1 control	RTCPS1CTL	0Ah
RTC prescaler 0	RTCPS0	0Ch
RTC prescaler 1	RTCPS1	0Dh
RTC interrupt vector word	RTCIV	0Eh
RTC seconds, RTC counter 1	RTCSEC, RTCNT1	10h
RTC minutes, RTC counter 2	RTCMIN, RTCNT2	11h
RTC hours, RTC counter 3	RTCHOUR, RTCNT3	12h
RTC day of week, RTC counter 4	RTCDOW, RTCNT4	13h
RTC days	RTCDAY	14h
RTC month	RTCMON	15h
RTC year low	RTCYEARL	16h
RTC year high	RTCYEARH	17h
RTC alarm minutes	RTCAMIN	18h
RTC alarm hours	RTCAHOUR	19h
RTC alarm day of week	RTCADOW	1Ah
RTC alarm days	RTCADAY	1Bh
Binary-to-BCD conversion register	BIN2BCD	1Ch
BCD-to-binary conversion register	BCD2BIN	1Eh



**Table 6-31. 32-Bit Hardware Multiplier Registers (Base Address: 04C0h)**

REGISTER DESCRIPTION	REGISTER	OFFSET
16-bit operand 1 – multiply	MPY	00h
16-bit operand 1 – signed multiply	MPYS	02h
16-bit operand 1 – multiply accumulate	MAC	04h
16-bit operand 1 – signed multiply accumulate	MACS	06h
16-bit operand 2	OP2	08h
16 × 16 result low word	RESLO	0Ah
16 × 16 result high word	RESHI	0Ch
16 × 16 sum extension register	SUMEXT	0Eh
32-bit operand 1 – multiply low word	MPY32L	10h
32-bit operand 1 – multiply high word	MPY32H	12h
32-bit operand 1 – signed multiply low word	MPYS32L	14h
32-bit operand 1 – signed multiply high word	MPYS32H	16h
32-bit operand 1 – multiply accumulate low word	MAC32L	18h
32-bit operand 1 – multiply accumulate high word	MAC32H	1Ah
32-bit operand 1 – signed multiply accumulate low word	MACS32L	1Ch
32-bit operand 1 – signed multiply accumulate high word	MACS32H	1Eh
32-bit operand 2 – low word	OP2L	20h
32-bit operand 2 – high word	OP2H	22h
32 × 32 result 0 – least significant word	RES0	24h
32 × 32 result 1	RES1	26h
32 × 32 result 2	RES2	28h
32 × 32 result 3 – most significant word	RES3	2Ah
MPY32 control register 0	MPY32CTL0	2Ch

**Table 6-32. DMA Registers (Base Address DMA General Control: 0500h, DMA Channel 0: 0510h, DMA Channel 1: 0520h, DMA Channel 2: 0530h)**

REGISTER DESCRIPTION	REGISTER	OFFSET
DMA channel 0 control	DMA0CTL	00h
DMA channel 0 source address low	DMA0SAL	02h
DMA channel 0 source address high	DMA0SAH	04h
DMA channel 0 destination address low	DMA0DAL	06h
DMA channel 0 destination address high	DMA0DAH	08h
DMA channel 0 transfer size	DMA0SZ	0Ah
DMA channel 1 control	DMA1CTL	00h
DMA channel 1 source address low	DMA1SAL	02h
DMA channel 1 source address high	DMA1SAH	04h
DMA channel 1 destination address low	DMA1DAL	06h
DMA channel 1 destination address high	DMA1DAH	08h
DMA channel 1 transfer size	DMA1SZ	0Ah
DMA channel 2 control	DMA2CTL	00h
DMA channel 2 source address low	DMA2SAL	02h
DMA channel 2 source address high	DMA2SAH	04h
DMA channel 2 destination address low	DMA2DAL	06h
DMA channel 2 destination address high	DMA2DAH	08h
DMA channel 2 transfer size	DMA2SZ	0Ah
DMA module control 0	DMACTL0	00h
DMA module control 1	DMACTL1	02h
DMA module control 2	DMACTL2	04h
DMA module control 3	DMACTL3	06h
DMA module control 4	DMACTL4	08h
DMA interrupt vector	DMAIV	0Ah

**Table 6-33. MPU Control Registers (Base Address: 05A0h)**

REGISTER DESCRIPTION	REGISTER	OFFSET
MPU control 0	MPUCTL0	00h
MPU control 1	MPUCTL1	02h
MPU segmentation	MPUSEG	04h
MPU access management	MPUSAM	06h

**Table 6-34. eUSCI\_A0 Registers (Base Address: 05C0h)**

REGISTER DESCRIPTION	REGISTER	OFFSET
eUSCI_A control word 0	UCA0CTLW0	00h
eUSCI_A control word 1	UCA0CTLW1	02h
eUSCI_A baud rate 0	UCA0BR0	06h
eUSCI_A baud rate 1	UCA0BR1	07h
eUSCI_A modulation control	UCA0MCTLW	08h
eUSCI_A status	UCA0STAT	0Ah
eUSCI_A receive buffer	UCA0RXBUF	0Ch
eUSCI_A transmit buffer	UCA0TXBUF	0Eh
eUSCI_A LIN control	UCA0ABCTL	10h
eUSCI_A IrDA transmit control	UCA0IRTCTL	12h
eUSCI_A IrDA receive control	UCA0IRRCTL	13h
eUSCI_A interrupt enable	UCA0IE	1Ah
eUSCI_A interrupt flags	UCA0IFG	1Ch
eUSCI_A interrupt vector word	UCA0IV	1Eh

**Table 6-35. eUSCI\_A1 Registers (Base Address: 05E0h)**

REGISTER DESCRIPTION	REGISTER	OFFSET
eUSCI_A control word 0	UCA1CTLW0	00h
eUSCI_A control word 1	UCA1CTLW1	02h
eUSCI_A baud rate 0	UCA1BR0	06h
eUSCI_A baud rate 1	UCA1BR1	07h
eUSCI_A modulation control	UCA1MCTLW	08h
eUSCI_A status	UCA1STAT	0Ah
eUSCI_A receive buffer	UCA1RXBUF	0Ch
eUSCI_A transmit buffer	UCA1TXBUF	0Eh
eUSCI_A LIN control	UCA1ABCTL	10h
eUSCI_A IrDA transmit control	UCA1IRTCTL	12h
eUSCI_A IrDA receive control	UCA1IRRCTL	13h
eUSCI_A interrupt enable	UCA1IE	1Ah
eUSCI_A interrupt flags	UCA1IFG	1Ch
eUSCI_A interrupt vector word	UCA1IV	1Eh

**Table 6-36. eUSCI\_B0 Registers (Base Address: 0640h)**

REGISTER DESCRIPTION	REGISTER	OFFSET
eUSCI_B control word 0	UCB0CTLW0	00h
eUSCI_B control word 1	UCB0CTLW1	02h
eUSCI_B bit rate 0	UCB0BR0	06h
eUSCI_B bit rate 1	UCB0BR1	07h
eUSCI_B status word	UCB0STATW	08h
eUSCI_B byte counter threshold	UCB0TBCNT	0Ah
eUSCI_B receive buffer	UCB0RXBUF	0Ch
eUSCI_B transmit buffer	UCB0TXBUF	0Eh
eUSCI_B I2C own address 0	UCB0I2COA0	14h
eUSCI_B I2C own address 1	UCB0I2COA1	16h
eUSCI_B I2C own address 2	UCB0I2COA2	18h
eUSCI_B I2C own address 3	UCB0I2COA3	1Ah
eUSCI_B received address	UCB0ADDRX	1Ch
eUSCI_B address mask	UCB0ADDMASK	1Eh
eUSCI I2C slave address	UCB0I2CSA	20h
eUSCI interrupt enable	UCB0IE	2Ah
eUSCI interrupt flags	UCB0IFG	2Ch
eUSCI interrupt vector word	UCB0IV	2Eh

**Table 6-37. ADC10\_B Registers (Base Address: 0700h)**

REGISTER DESCRIPTION	REGISTER	OFFSET
ADC10_B control 0	ADC10CTL0	00h
ADC10_B control 1	ADC10CTL1	02h
ADC10_B control 2	ADC10CTL2	04h
ADC10_B window comparator low threshold	ADC10LO	06h
ADC10_B window comparator high threshold	ADC10HI	08h
ADC10_B memory control 0	ADC10MCTL0	0Ah
ADC10_B conversion memory	ADC10MEM0	12h
ADC10_B Interrupt enable	ADC10IE	1Ah
ADC10_B interrupt flags	ADC10IGH	1Ch
ADC10_B interrupt vector word	ADC10IV	1Eh

**Table 6-38. Comparator\_D Registers (Base Address: 08C0h)**

REGISTER DESCRIPTION	REGISTER	OFFSET
Comparator_D control 0	CDCTL0	00h
Comparator_D control 1	CDCTL1	02h
Comparator_D control 2	CDCTL2	04h
Comparator_D control 3	CDCTL3	06h
Comparator_D interrupt	CDINT	0Ch
Comparator_D interrupt vector word	CDIV	0Eh

## 6.11 Input/Output Diagrams

### 6.11.1 Port P1 (P1.0 to P1.2) Input/Output With Schmitt Trigger

Figure 6-9 shows the port diagram. Table 6-39 summarizes the selection of the pin functions.

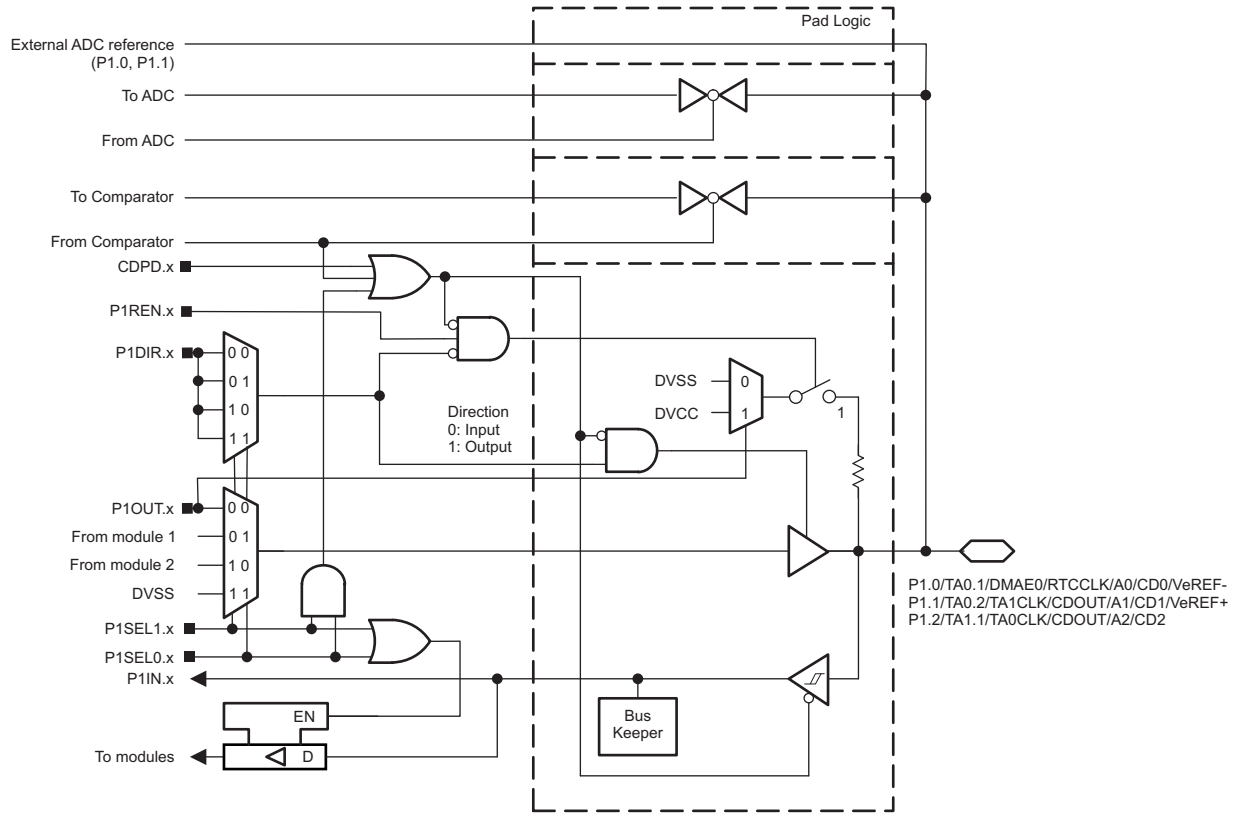


Figure 6-9. Port P1 (P1.0 to P1.2) Diagram

**Table 6-39. Port P1 (P1.0 to P1.2) Pin Functions**

PIN NAME (P1.x)	x	FUNCTION	CONTROL BITS OR SIGNALS		
			P1DIR.x	P1SEL1.x	P1SEL0.x
P1.0/TA0.1/DMAE0/RTCCLK/A0/CD0/VeREF-	0	P1.0 (I/O)	I: 0; O: 1	0	0
		TA0.CCI1A	0	0	1
		TA0.1	1		
		DMAE0	0	1	0
		RTCCLK	1		
		A0 <sup>(1) (2)</sup> CD0 <sup>(1) (3)</sup> VeREF- <sup>(1) (2)</sup>	X	1	1
P1.1/TA0.2/TA1CLK/CDOUT/A1/CD1/VeREF+	1	P1.1 (I/O)	I: 0; O: 1	0	0
		TA0.CCI2A	0	0	1
		TA0.2	1		
		TA1CLK	0	1	0
		CDOUT	1		
		A1 <sup>(1) (2)</sup> CD1 <sup>(1) (3)</sup> VeREF+ <sup>(1) (2)</sup>	X	1	1
P1.2/TA1.1/TA0CLK/CDOUT/A2/CD2	2	P1.2 (I/O)	I: 0; O: 1	0	0
		TA1.CCI1A	0	0	1
		TA1.1	1		
		TA0CLK	0	1	0
		CDOUT	1		
		A2 <sup>(1) (2)</sup> CD2 <sup>(1) (3)</sup>	X	1	1

- (1) Setting P1SEL1.x and P1SEL0.x disables the output driver and the input Schmitt trigger to prevent parasitic cross currents when applying analog signals.
- (2) Not available on all devices and package types.
- (3) Setting the CDPD.x bit of the comparator disables the output driver and the input Schmitt trigger to prevent parasitic cross currents when applying analog signals. Selecting the CDx input pin to the comparator multiplexer with the CDx bits automatically disables output driver and input buffer for that pin, regardless of the state of the associated CDPD.x bit.

### 6.11.2 Port P1 (P1.3 to P1.5) Input/Output With Schmitt Trigger

Figure 6-10 shows the port diagram. Table 6-40 summarizes the selection of the pin functions.

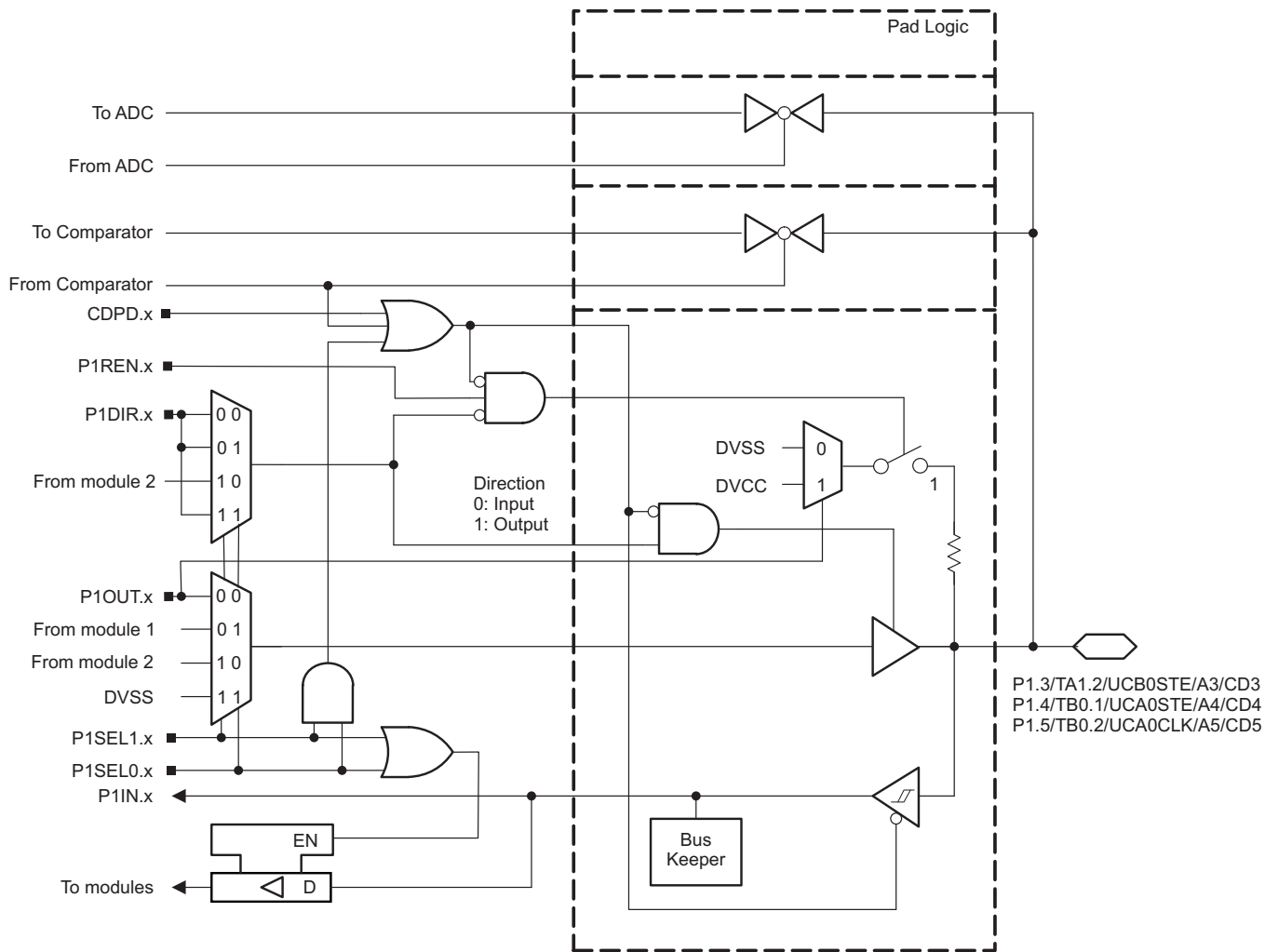


Figure 6-10. Port P1 (P1.3 to P1.5) Diagram

**Table 6-40. Port P1 (P1.3 to P1.5) Pin Functions**

PIN NAME (P1.x)	x	FUNCTION	CONTROL BITS OR SIGNALS		
			P1DIR.x	P1SEL1.x	P1SEL0.x
P1.3/TA1.2/UCB0STE/A3/CD3	3	P1.3 (I/O)	I: 0; O: 1	0	0
		TA1.CCI2A	0	0	1
		TA1.2	1		
		UCB0STE	X <sup>(1)</sup>	1	0
		A3 <sup>(2) (3)</sup> CD3 <sup>(2) (4)</sup>	X	1	1
P1.4/TB0.1/UCA0STE/A4/CD4	4	P1.4 (I/O)	I: 0; O: 1	0	0
		TB0.CCI1A	0	0	1
		TB0.1	1		
		UCA0STE	X <sup>(5)</sup>	1	0
		A4 <sup>(2) (3)</sup> CD4 <sup>(2) (4)</sup>	X	1	1
P1.5/TB0.2/UCA0CLK/A5/CD5	5	P1.5 (I/O)	I: 0; O: 1	0	0
		TB0.CCI2A	0	0	1
		TB0.2	1		
		UCA0CLK	X <sup>(5)</sup>	1	0
		A5 <sup>(2) (3)</sup> CD5 <sup>(2) (4)</sup>	X	1	1

- (1) Direction controlled by eUSCI\_B0 module.
- (2) Setting P1SEL1.x and P1SEL0.x disables the output driver and the input Schmitt trigger to prevent parasitic cross currents when applying analog signals.
- (3) Not available on all devices and package types.
- (4) Setting the CDPD.x bit of the comparator disables the output driver and the input Schmitt trigger to prevent parasitic cross currents when applying analog signals. Selecting the CDx input pin to the comparator multiplexer with the CDx bits automatically disables output driver and input buffer for that pin, regardless of the state of the associated CDPD.x bit
- (5) Direction controlled by eUSCI\_A0 module.



### 6.11.3 Port P1 (P1.6 and P1.7) Input/Output With Schmitt Trigger

Figure 6-11 shows the port diagram. Table 6-41 summarizes the selection of the pin functions.

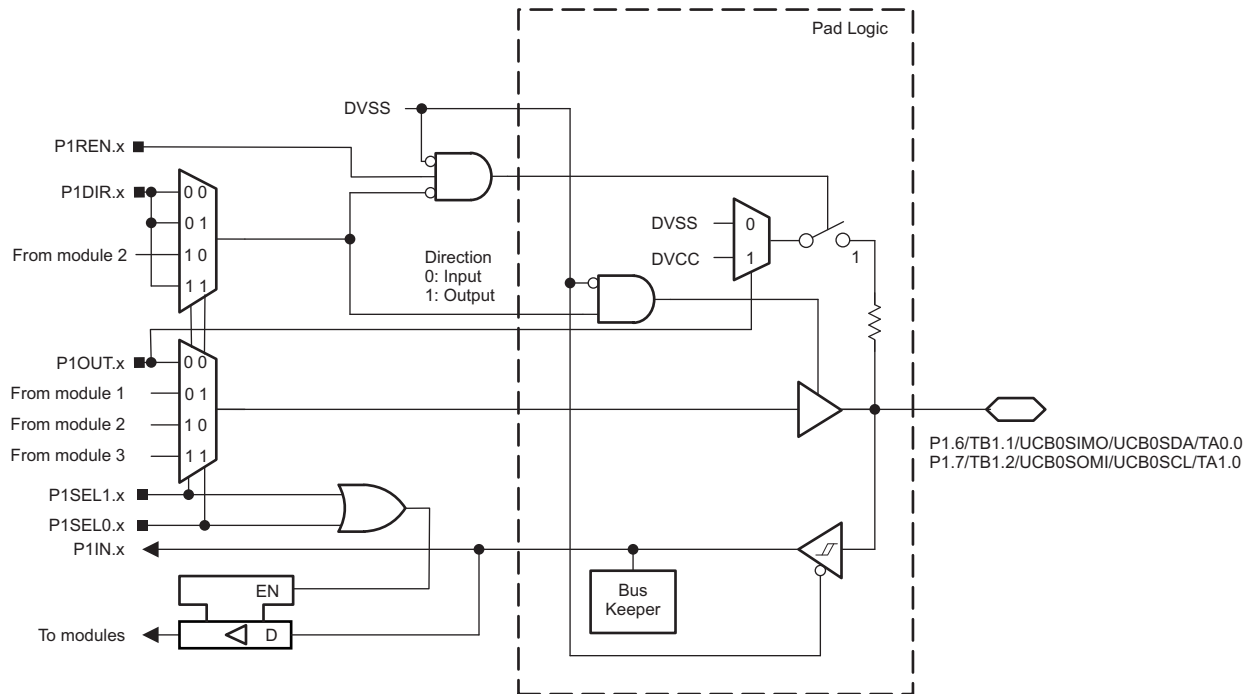


Figure 6-11. Port P1 (P1.6 and P1.7) Diagram

Table 6-41. Port P1 (P1.6 and P1.7) Pin Functions

PIN NAME (P1.x)	x	FUNCTION	CONTROL BITS OR SIGNALS		
			P1DIR.x	P1SEL1.x	P1SEL0.x
P1.6/TB1.1/UCB0SIMO/UCB0SDA/TA0.0	6	P1.6 (I/O)	I: 0; O: 1	0	0
		TB1.CCI1A <sup>(1)</sup>	0	0	1
		TB1.1 <sup>(1)</sup>	1	0	1
		UCB0SIMO/UCB0SDA	X <sup>(2)</sup>	1	0
		TA0.CCI0A	0	1	1
		TA0.0	1	1	1
P1.7/TB1.2/UCB0SOMI/UCB0SCL/TA1.0	7	P1.7 (I/O)	I: 0; O: 1	0	0
		TB1.CCI2A <sup>(1)</sup>	0	0	1
		TB1.2 <sup>(1)</sup>	1	0	1
		UCB0SOMI/UCB0SCL	X <sup>(2)</sup>	1	0
		TA1.CCI0A	0	1	1
		TA1.0	1	1	1

(1) Not available on all devices and package types.

(2) Direction controlled by eUSCI\_B0 module.

### 6.11.4 Port P2 (P2.0 to P2.2) Input/Output With Schmitt Trigger

Figure 6-12 shows the port diagram. Table 6-42 summarizes the selection of the pin functions.

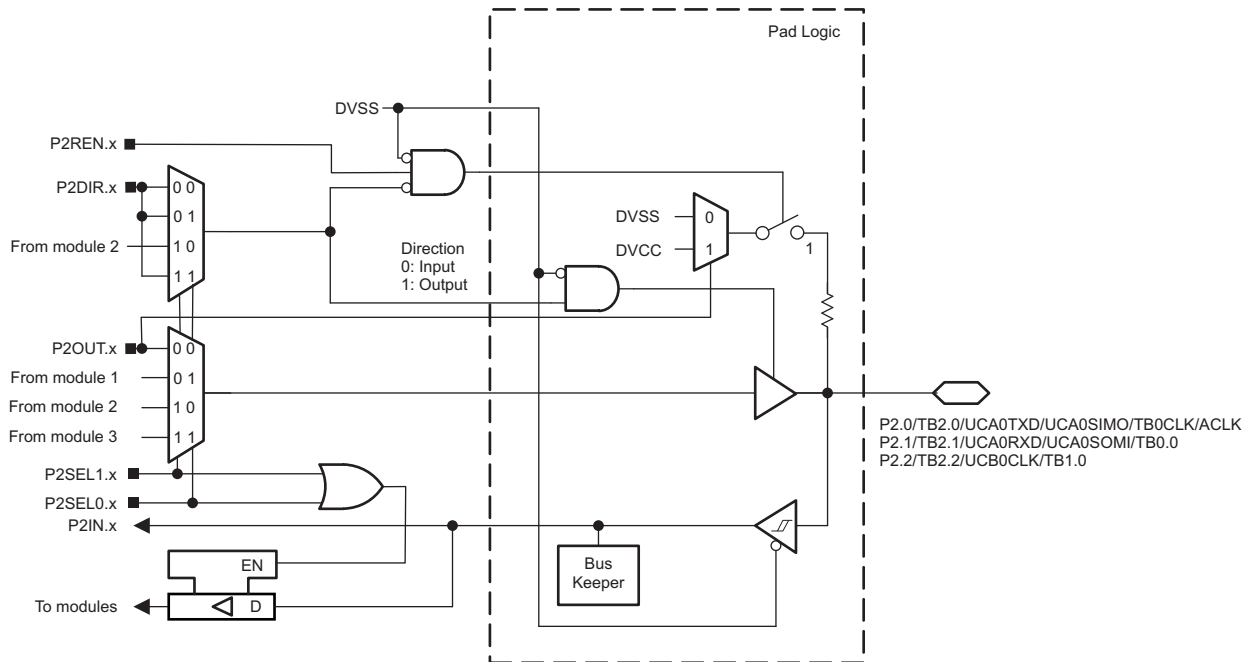


Figure 6-12. Port P2 (P2.0 to P2.2) Diagram

Table 6-42. Port P2 (P2.0 to P2.2) Pin Functions

PIN NAME (P2.x)	x	FUNCTION	CONTROL BITS OR SIGNALS		
			P2DIR.x	P2SEL1.x	P2SEL0.x
P2.0/TB2.0/UCA0TXD/UCA0SIMO/TB0CLK/ACLK	0	P2.0 (I/O)	I: 0; O: 1	0	0
		TB2.CCI0A <sup>(1)</sup>	0	0	1
		TB2.0 <sup>(1)</sup>	1		
		UCA0TXD/UCA0SIMO	X <sup>(2)</sup>	1	0
		TB0CLK	0	1	1
		ACLK	1		
P2.1/TB2.1/UCA0RXD/UCA0SOMI/TB0.0	1	P2.1 (I/O)	I: 0; O: 1	0	0
		TB2.CCI1A <sup>(1)</sup>	0	0	1
		TB2.1 <sup>(1)</sup>	1		
		UCA0RXD/UCA0SOMI	X <sup>(2)</sup>	1	0
		TB0.CCI0A	0	1	1
		TB0.0	1		
P2.2/TB2.2/UCB0CLK/TB1.0	2	P2.2 (I/O)	I: 0; O: 1	0	0
		TB2.CCI2A <sup>(1)</sup>	0	0	1
		TB2.2 <sup>(1)</sup>	1		
		UCB0CLK	X <sup>(3)</sup>	1	0
		TB1.CCI0A <sup>(1)</sup>	0	1	1
		TB1.0 <sup>(1)</sup>	1		

(1) Not available on all devices and package types.  
(2) Direction controlled by eUSCI\_A0 module.  
(3) Direction controlled by eUSCI\_B0 module.

### 6.11.5 Port P2 (P2.3 and P2.4) Input/Output With Schmitt Trigger

Figure 6-13 shows the port diagram. Table 6-43 summarizes the selection of the pin functions.

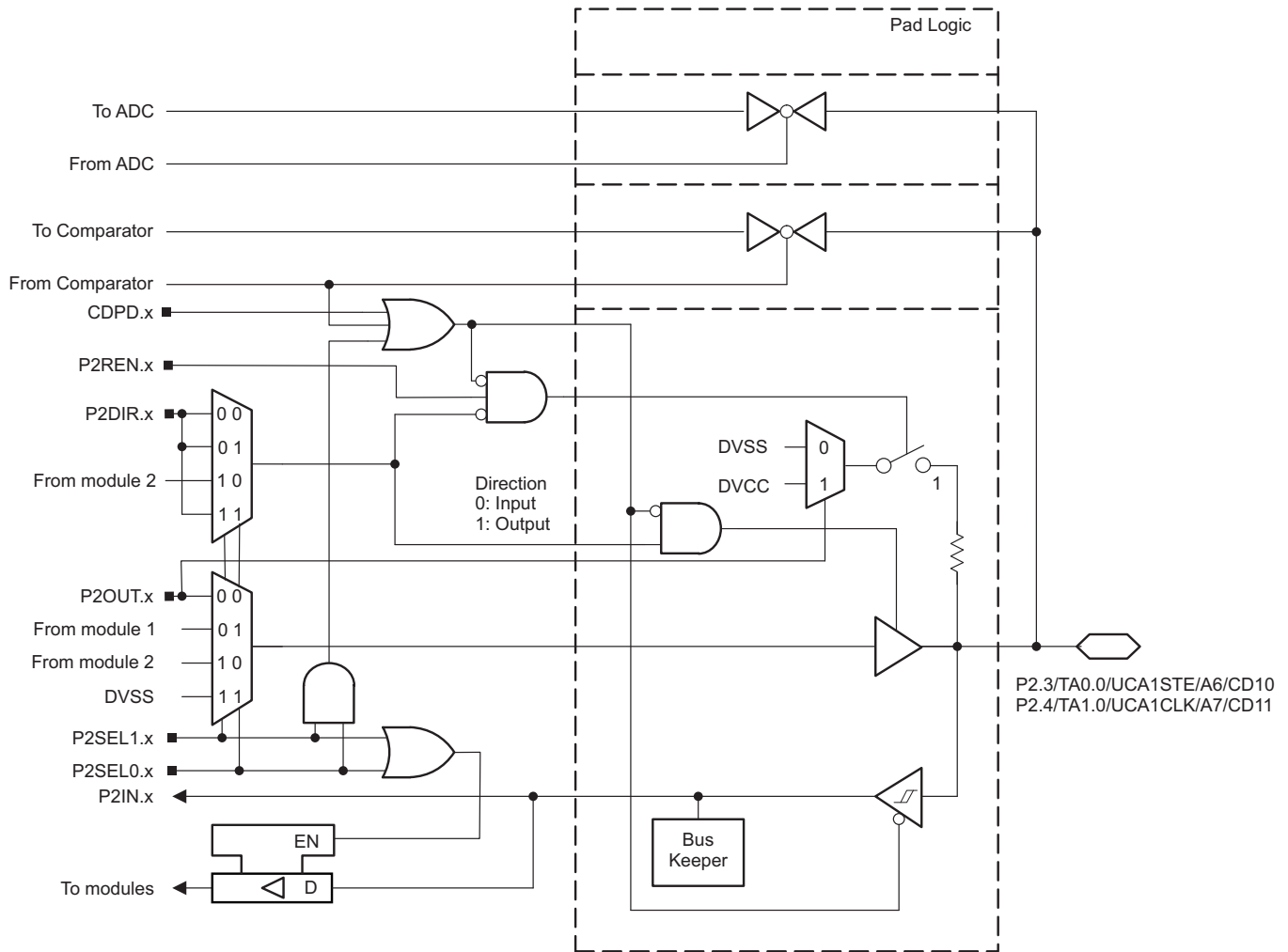


Figure 6-13. Port P2 (P2.3 and P2.4) Diagram

**Table 6-43. Port P2 (P2.3 and P2.4) Pin Functions**

PIN NAME (P2.x)	x	FUNCTION	CONTROL BITS OR SIGNALS		
			P2DIR.x	P2SEL1.x	P2SEL0.x
P2.3/TA0.0/UCA1STE/A6/CD10	3	P2.3 (I/O)	I: 0; O: 1	0	0
		TA0.CCI0B	0	0	1
		TA0.0	1		
		UCA1STE	X <sup>(1)</sup>	1	0
		A6 <sup>(2) (3)</sup> CD10 <sup>(2) (4)</sup>	X	1	1
P2.4/TA1.0/UCA1CLK/A7/CD11	4	P2.4 (I/O)	I: 0; O: 1	0	0
		TA1.CCI0B	0	0	1
		TA1.0	1		
		UCA1CLK	X <sup>(1)</sup>	1	0
		A7 <sup>(2) (3)</sup> CD11 <sup>(2) (4)</sup>	X	1	1

- (1) Direction controlled by eUSCI\_A1 module.
- (2) Setting P2SEL1.x and P2SEL0.x disables the output driver and the input Schmitt trigger to prevent parasitic cross currents when applying analog signals.
- (3) Not available on all devices and package types.
- (4) Setting the CDPD.x bit of the comparator disables the output driver and the input Schmitt trigger to prevent parasitic cross currents when applying analog signals. Selecting the CDx input pin to the comparator multiplexer with the CDx bits automatically disables output driver and input buffer for that pin, regardless of the state of the associated CDPD.x bit.

### 6.11.6 Port P2 (P2.5 and P2.6) Input/Output With Schmitt Trigger

Figure 6-14 shows the port diagram. Table 6-44 summarizes the selection of the pin functions.

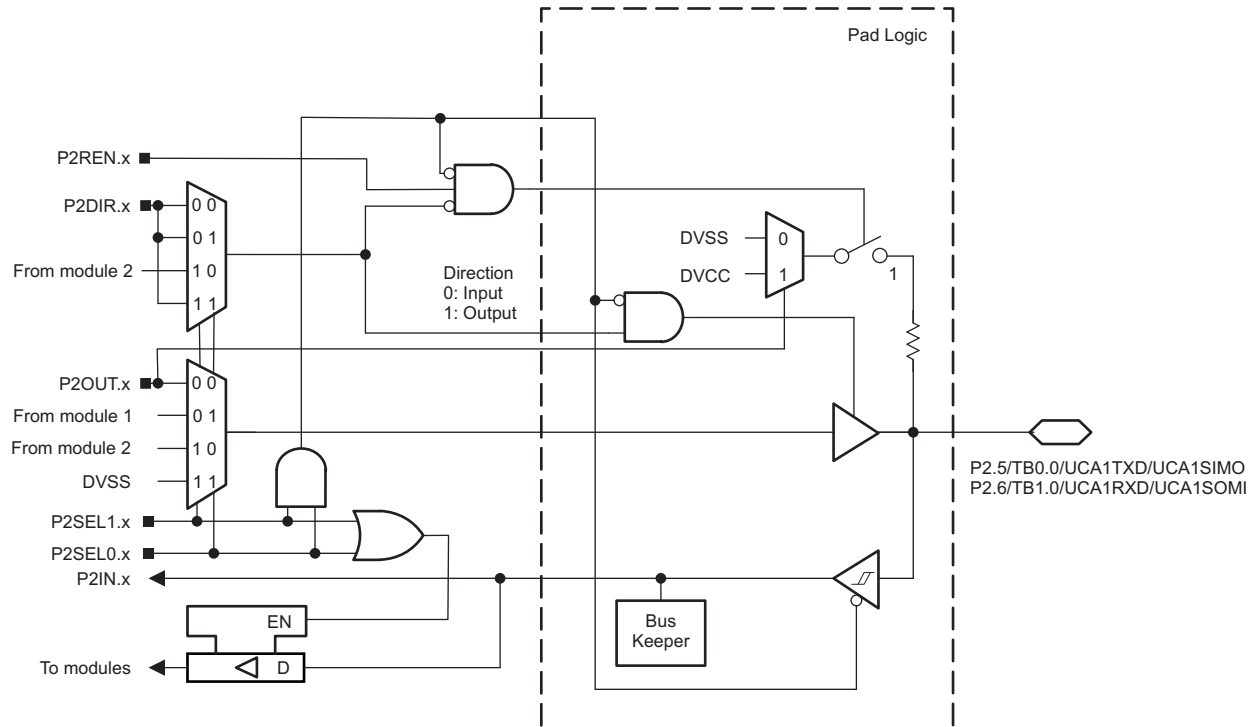


Figure 6-14. Port P2 (P2.5 and P2.6) Diagram

Table 6-44. Port P2 (P2.5 and P2.6) Pin Functions

PIN NAME (P2.x)	x	FUNCTION	CONTROL BITS OR SIGNALS		
			P2DIR.x	P2SEL1.x	P2SEL0.x
P2.5/TB0.0/UCA1TXD/UCA1SIMO	5	P2.5(I/O) <sup>(1)</sup>	I: 0; O: 1	0	0
		TB0.CCI0B <sup>(1)</sup>	0	0	1
		TB0.0 <sup>(1)</sup>	1		
		UCA1TXD/UCA1SIMO <sup>(1)</sup>	X <sup>(2)</sup>	1	0
P2.6/TB1.0/UCA1RXD/UCA1SOMI	6	P2.6(I/O) <sup>(1)</sup>	I: 0; O: 1	0	0
		TB1.CCI0B <sup>(1)</sup>	0	0	1
		TB1.0 <sup>(1)</sup>	1		
		UCA1RXD/UCA1SOMI <sup>(1)</sup>	X <sup>(2)</sup>	1	0

(1) Not available on all devices and package types.

(2) Direction controlled by eUSCI\_A1 module.

### 6.11.7 Port P2 (P2.7) Input/Output With Schmitt Trigger

Figure 6-15 shows the port diagram. Table 6-45 summarizes the selection of the pin functions.

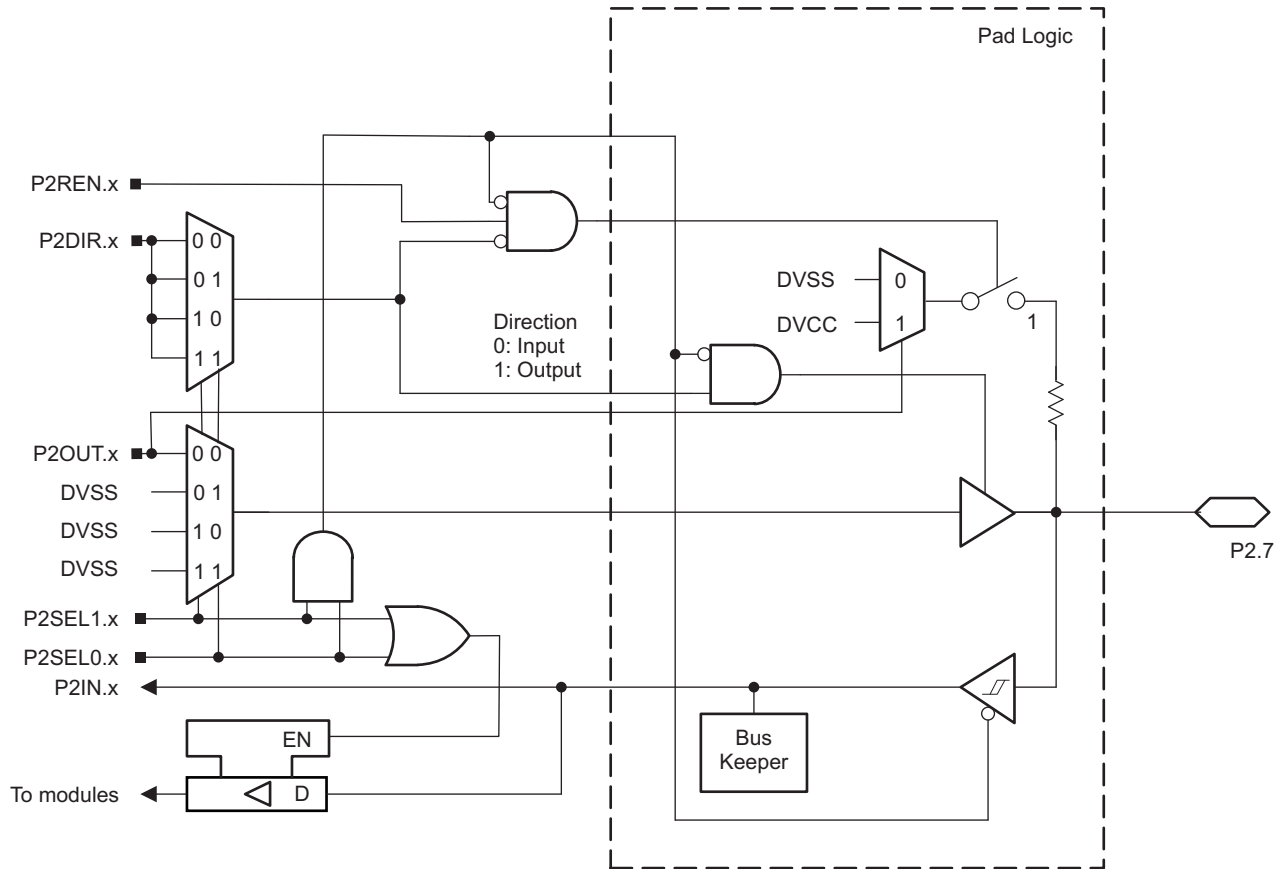


Figure 6-15. Port P2 (P2.7) Diagram

Table 6-45. Port P2 (P2.7) Pin Functions

PIN NAME (P2.x)	x	FUNCTION	CONTROL BITS OR SIGNALS		
			P2DIR.x	P2SEL1.x	P2SEL0.x
P2.7	7	P2.7(I/O) <sup>(1)</sup>	I: 0; O: 1	0	0

(1) Not available on all devices and package types.

### 6.11.8 Port P3 (P3.0 to P3.3) Input/Output With Schmitt Trigger

Figure 6-16 shows the port diagram. Table 6-46 summarizes the selection of the pin functions.

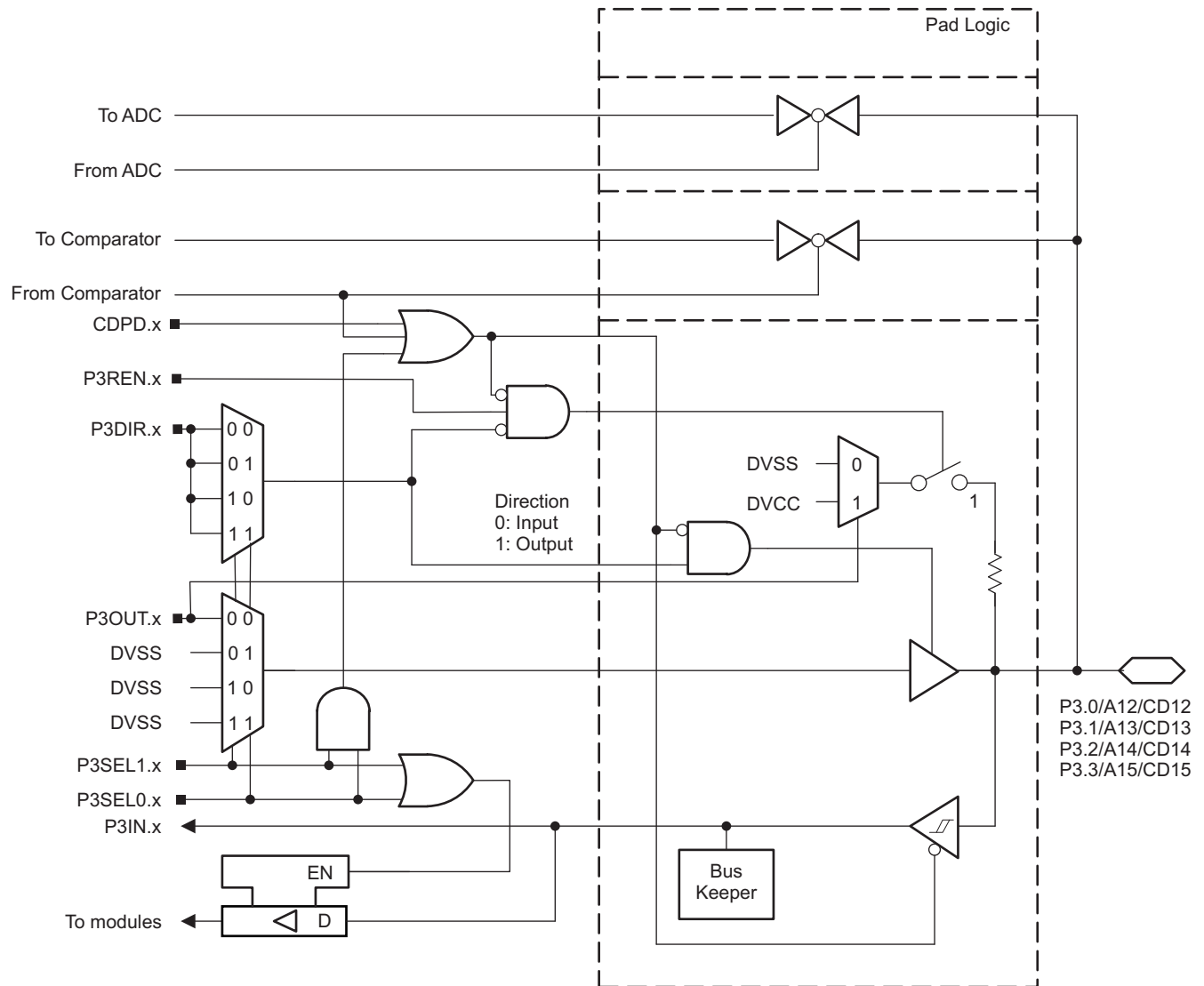


Figure 6-16. Port P3 (P3.0 to P3.3) Diagram

**Table 6-46. Port P3 (P3.0 to P3.3) Pin Functions**

PIN NAME (P3.x)	x	FUNCTION	CONTROL BITS OR SIGNALS		
			P3DIR.x	P3SEL1.x	P3SEL0.x
P3.0/A12/CD12	0	P3.0 (I/O)	I: 0; O: 1	0	0
		A12 <sup>(1)</sup> <sup>(2)</sup> CD12 <sup>(1)</sup> <sup>(3)</sup>	X	1	1
P3.1/A13/CD13	1	P3.1 (I/O)	I: 0; O: 1	0	0
		A13 <sup>(1)</sup> <sup>(2)</sup> CD13 <sup>(1)</sup> <sup>(3)</sup>	X	1	1
P3.2/A14/CD14	2	P3.2 (I/O)	I: 0; O: 1	0	0
		A14 <sup>(1)</sup> <sup>(2)</sup> CD14 <sup>(1)</sup> <sup>(3)</sup>	X	1	1
P3.3/A15/CD15	3	P3.3 (I/O)	I: 0; O: 1	0	0
		A15 <sup>(1)</sup> <sup>(2)</sup> CD15 <sup>(1)</sup> <sup>(3)</sup>	X	1	1

- (1) Setting P1SEL1.x and P1SEL0.x disables the output driver and the input Schmitt trigger to prevent parasitic cross currents when applying analog signals.
- (2) Not available on all devices and package types.
- (3) Setting the CDPD.x bit of the comparator disables the output driver and the input Schmitt trigger to prevent parasitic cross currents when applying analog signals. Selecting the CDx input pin to the comparator multiplexer with the CDx bits automatically disables output driver and input buffer for that pin, regardless of the state of the associated CDPD.x bit.



### 6.11.9 Port P3 (P3.4 to P3.6) Input/Output With Schmitt Trigger

Figure 6-17 shows the port diagram. Table 6-47 summarizes the selection of the pin functions.

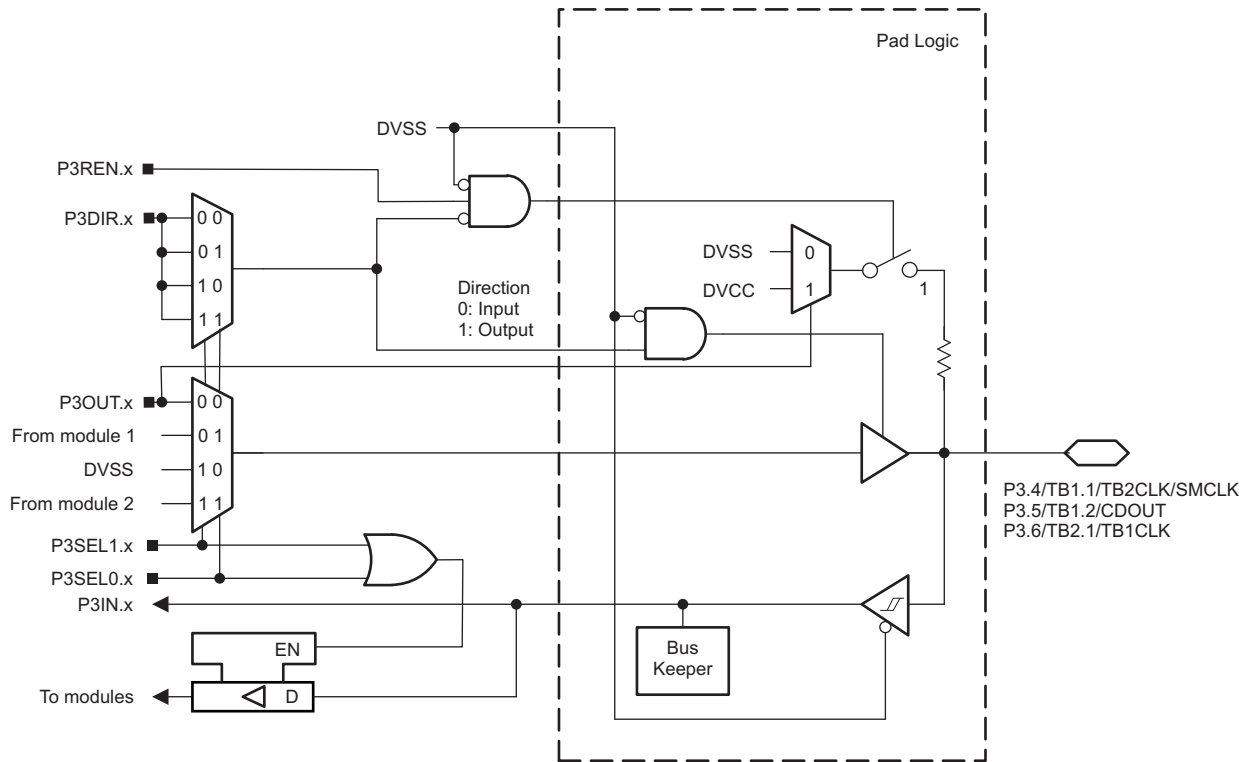


Figure 6-17. Port P3 (P3.4 to P3.6) Diagram

Table 6-47. Port P3 (P3.4 to P3.6) Pin Functions

PIN NAME (P3.x)	x	FUNCTION	CONTROL BITS OR SIGNALS		
			P3DIR.x	P3SEL1.x	P3SEL0.x
P3.4/TB1.1/TB2CLK/SMCLK	4	P3.4 (I/O) <sup>(1)</sup>	I: 0; O: 1	0	0
		TB1.CCI1B <sup>(1)</sup>	0	0	1
		TB1.1 <sup>(1)</sup>	1		
		TB2CLK <sup>(1)</sup>	0	1	1
		SMCLK <sup>(1)</sup>	1		
P3.5/TB1.2/CDOOUT	5	P3.5 (I/O) <sup>(1)</sup>	I: 0; O: 1	0	0
		TB1.CCI2B <sup>(1)</sup>	0	0	1
		TB1.2 <sup>(1)</sup>	1		
		CDOOUT <sup>(1)</sup>	1	1	1
P3.6/TB2.1/TB1CLK	6	P3.6 (I/O) <sup>(1)</sup>	I: 0; O: 1	0	0
		TB2.CCI1B <sup>(1)</sup>	0	0	1
		TB2.1 <sup>(1)</sup>	1		
		TB1CLK <sup>(1)</sup>	0	1	1

(1) Not available on all devices and package types.

### 6.11.10 Port Port P3 (P3.7) Input/Output With Schmitt Trigger

Figure 6-18 shows the port diagram. Table 6-48 summarizes the selection of the pin functions.

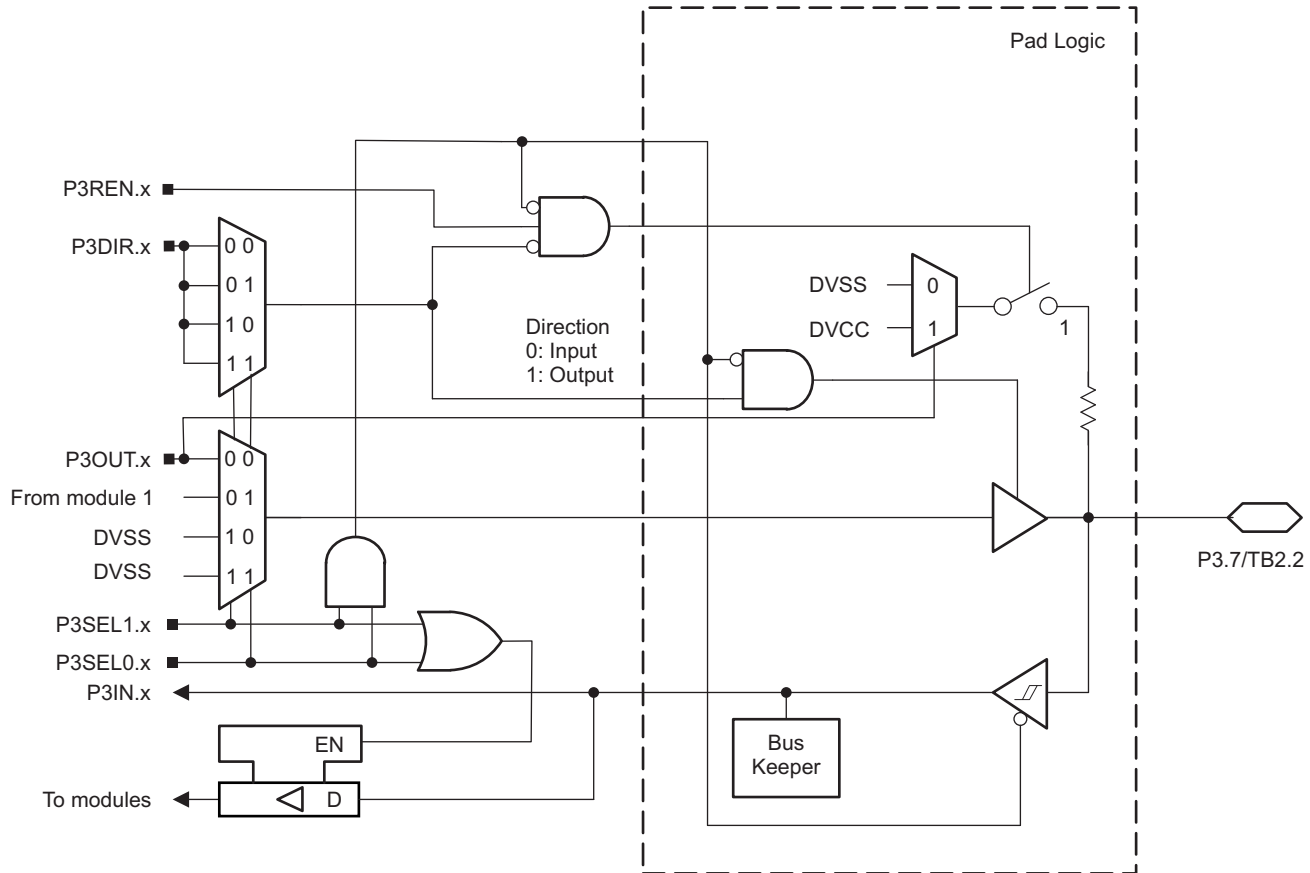


Figure 6-18. Port P3 (P3.7) Diagram

Table 6-48. Port P3 (P3.7) Pin Functions

PIN NAME (P3.x)	x	FUNCTION	CONTROL BITS OR SIGNALS		
			P3DIR.x	P3SEL1.x	P3SEL0.x
P3.7/TB2.2	7	P3.7 (I/O) <sup>(1)</sup>	I: 0; O: 1	0	0
		TB2.CCI2B <sup>(1)</sup>	0	0	1
		TB2.2 <sup>(1)</sup>	1		

(1) Not available on all devices and package types.

### 6.11.11 Port Port P4 (P4.0) Input/Output With Schmitt Trigger

Figure 6-19 shows the port diagram. Table 6-49 summarizes the selection of the pin functions.

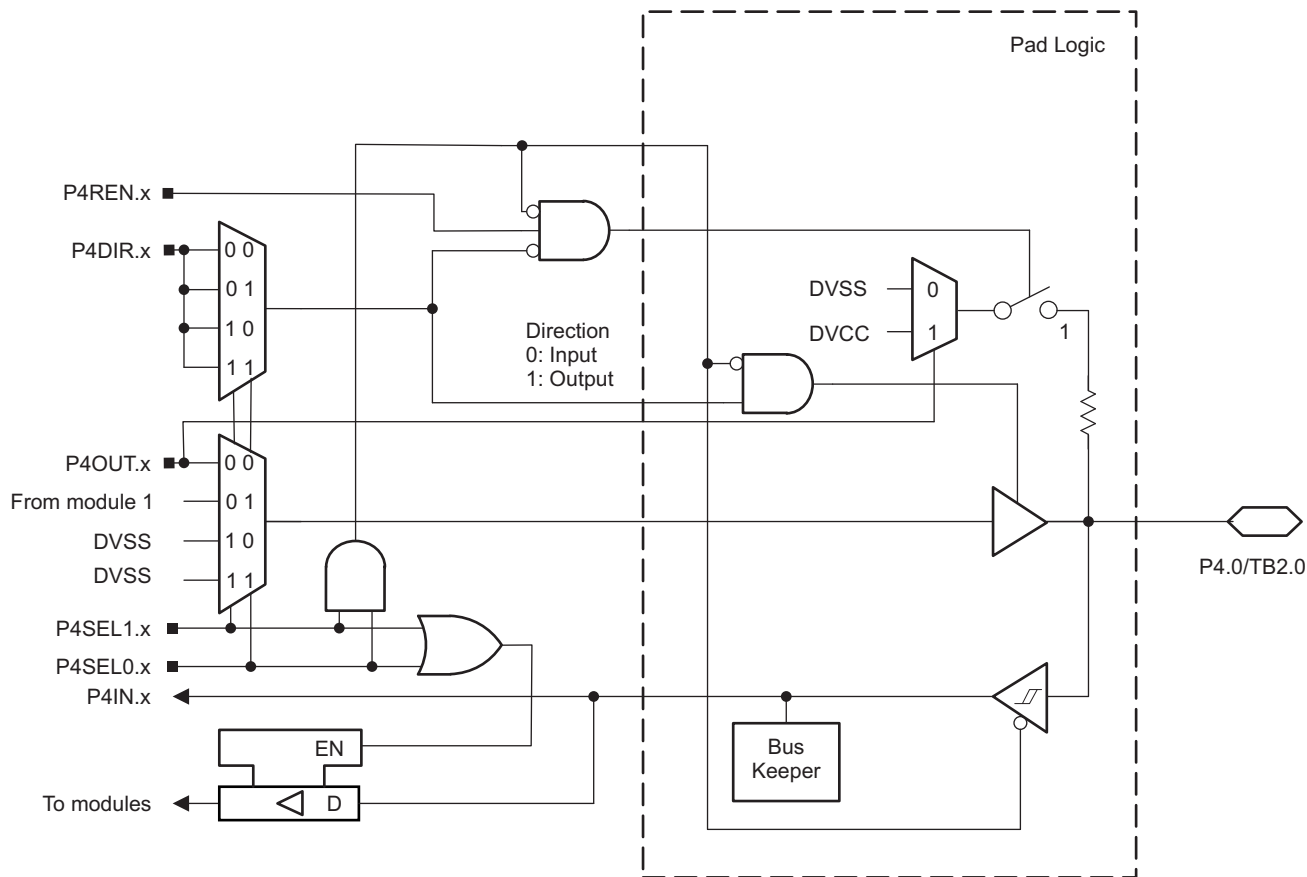


Figure 6-19. Port P4 (P4.0) Diagram

Table 6-49. Port P4 (P4.0) Pin Functions

PIN NAME (P4.x)	x	FUNCTION	CONTROL BITS OR SIGNALS		
			P4DIR.x	P4SEL1.x	P4SEL0.x
P4.0/TB2.0	0	P4.0 (I/O) <sup>(1)</sup>	I: 0; O: 1	0	0
		TB2.CCI0B <sup>(1)</sup>	0	0	1
		TB2.0 <sup>(1)</sup>	1	0	1

(1) Not available on all devices and package types.

### 6.11.12 Port Port P4 (P4.1) Input/Output With Schmitt Trigger

Figure 6-20 shows the port diagram. Table 6-50 summarizes the selection of the pin functions.

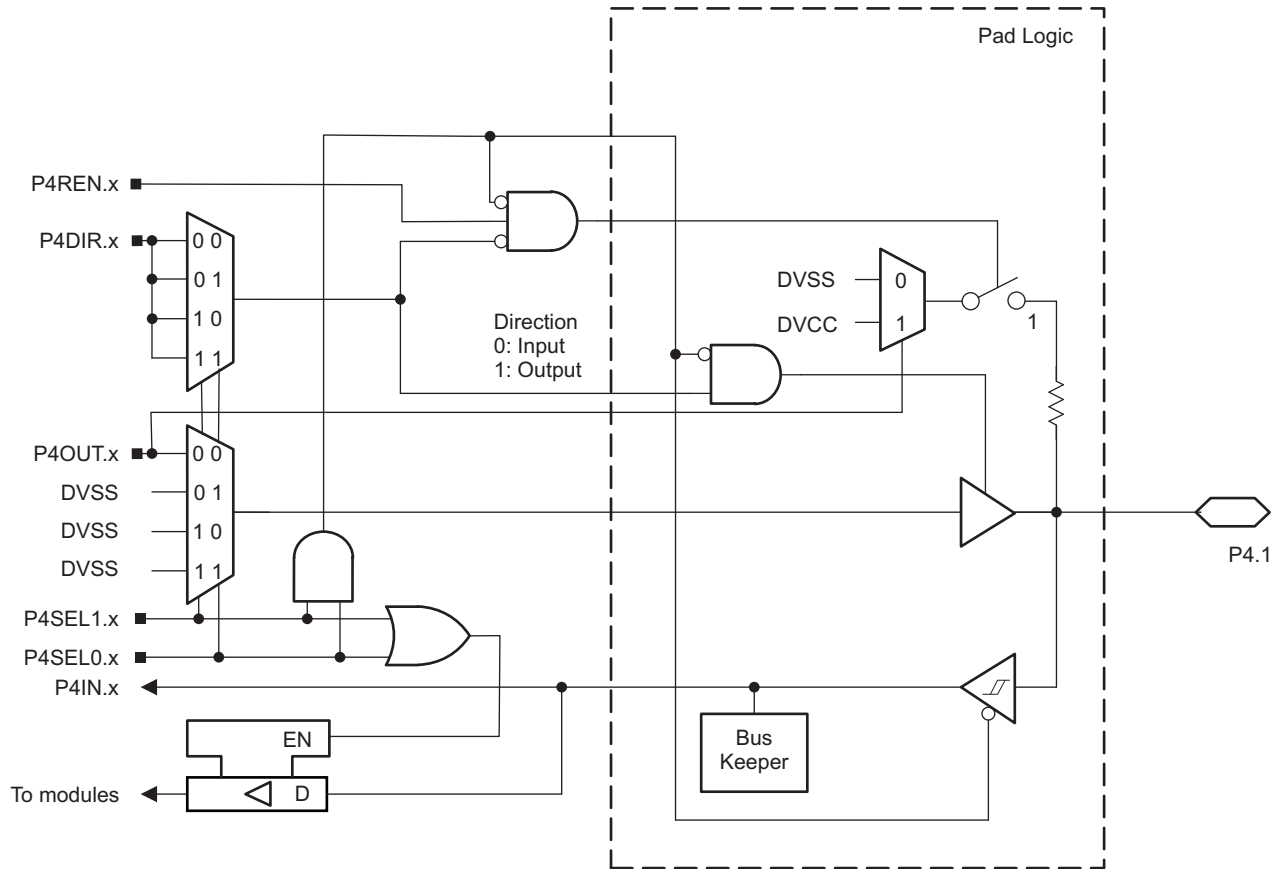


Figure 6-20. Port P4 (P4.1) Diagram

Table 6-50. Port P4 (P4.1) Pin Functions

PIN NAME (P4.x)	x	FUNCTION	CONTROL BITS OR SIGNALS		
			P4DIR.x	P4SEL1.x	P4SEL0.x
P4.1	1	P4.1 (I/O) <sup>(1)</sup>	I: 0; O: 1	0	0

(1) Not available on all devices and package types.

### 6.11.13 Port Port PJ (PJ.0 to PJ.3) JTAG Pins TDO, TMS, TCK, TDI/TCLK, Input/Output With Schmitt Trigger or Output

Figure 6-21 and Figure 6-22 show the port diagrams. Table 6-51 summarizes the selection of the pin functions.

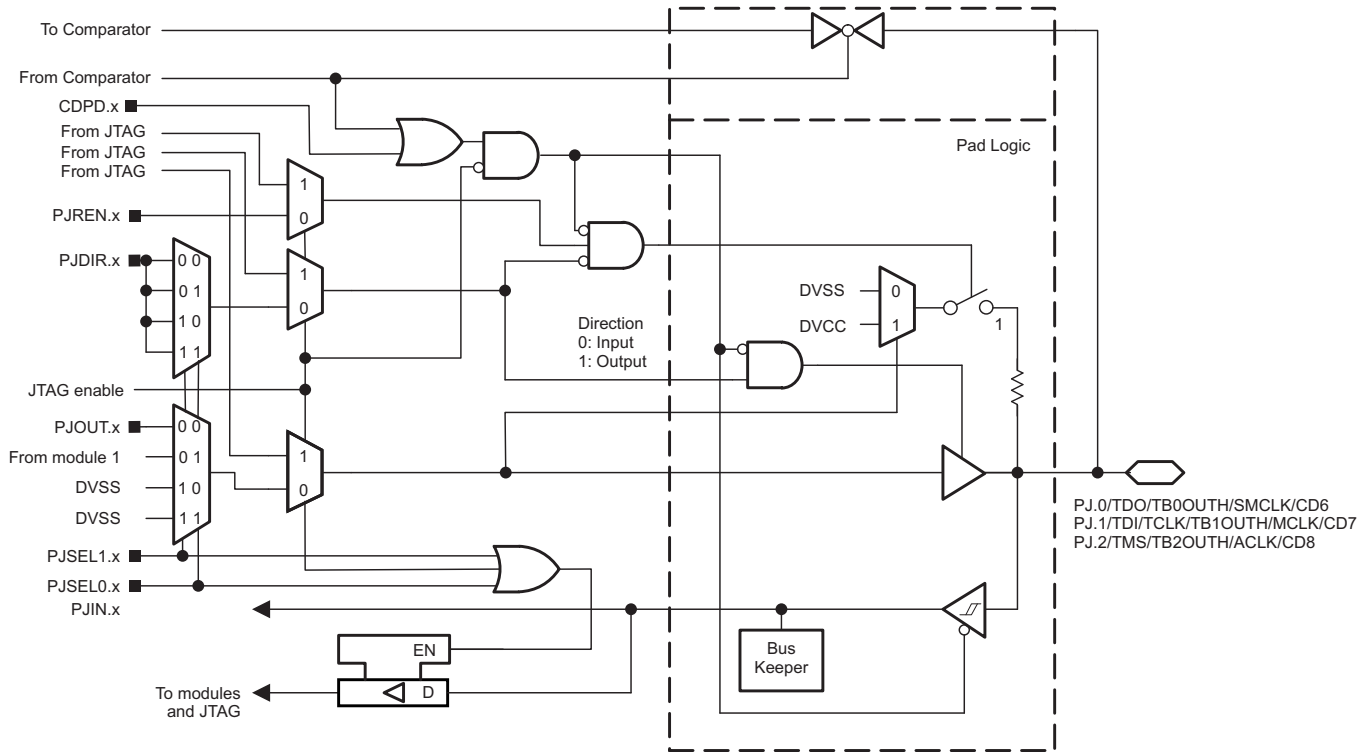


Figure 6-21. Port PJ (PJ.0 to PJ.2) Diagram

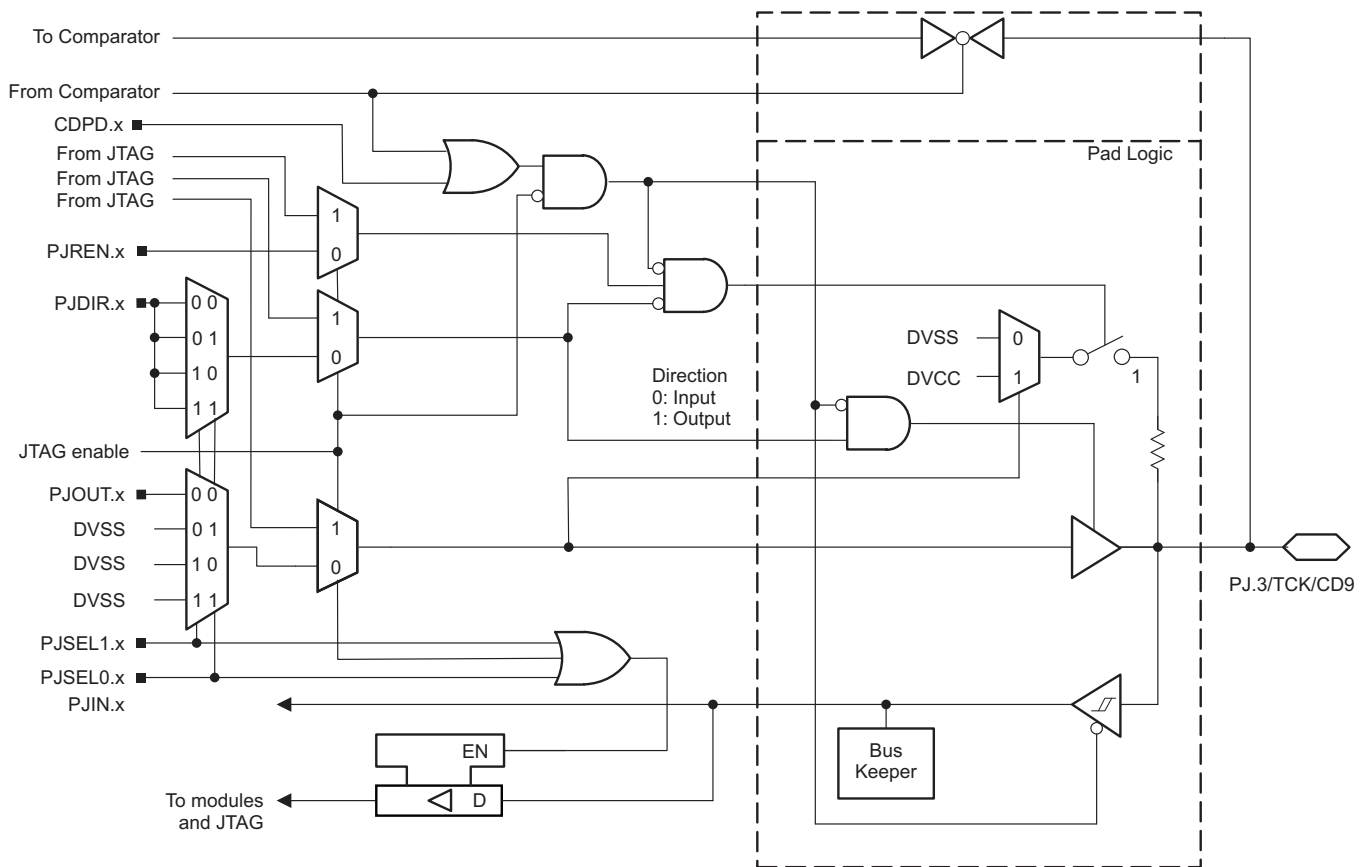


Figure 6-22. Port PJ (PJ.3) Diagram

**Table 6-51. Port PJ (PJ.0 to PJ.3) Pin Functions**

PIN NAME (PJ.x)	x	FUNCTION	CONTROL BITS OR SIGNALS <sup>(1)</sup>		
			PJDIR.x	PJSEL1.x	PJSEL0.x
PJ.0/TDO/TB0OUTH/SMCLK/CD6	0	PJ.0 (I/O) <sup>(2)</sup>	I: 0; O: 1	0	0
		TDO <sup>(3)</sup>	X	X	X
		TB0OUTH	0	0	1
		SMCLK	1		
		CD6	X	1	1
PJ.1/TDI/TCLK/TB1OUTH/MCLK/CD7	1	PJ.1 (I/O) <sup>(2)</sup>	I: 0; O: 1	0	0
		TDI/TCLK <sup>(3) (4)</sup>	X	X	X
		TB1OUTH	0	0	1
		MCLK	1		
		CD7	X	1	1
PJ.2/TMS/TB2OUTH/ACLK/CD8	2	PJ.2 (I/O) <sup>(2)</sup>	I: 0; O: 1	0	0
		TMS <sup>(3) (4)</sup>	X	X	X
		TB2OUTH	0	0	1
		ACLK	1		
		CD8	X	1	1
PJ.3/TCK/CD9	3	PJ.3 (I/O) <sup>(2)</sup>	I: 0; O: 1	0	0
		TCK <sup>(3) (4)</sup>	X	X	X
		CD9	X	1	1

- (1) X = Don't care
- (2) Default condition
- (3) The pin direction is controlled by the JTAG module. JTAG mode selection is made by the SYS module or by the Spy-Bi-Wire four-wire entry sequence. PJSEL1.x and PJSEL0.x have no effect in these cases.
- (4) In JTAG mode, pullups are activated automatically on TMS, TCK, and TDI/TCLK. PJREN.x are don't care.

### 6.11.14 Port Port PJ (PJ.4 and PJ.5) Input/Output With Schmitt Trigger

Figure 6-23 and Figure 6-24 show the port diagrams. Table 6-52 summarizes the selection of the pin functions.

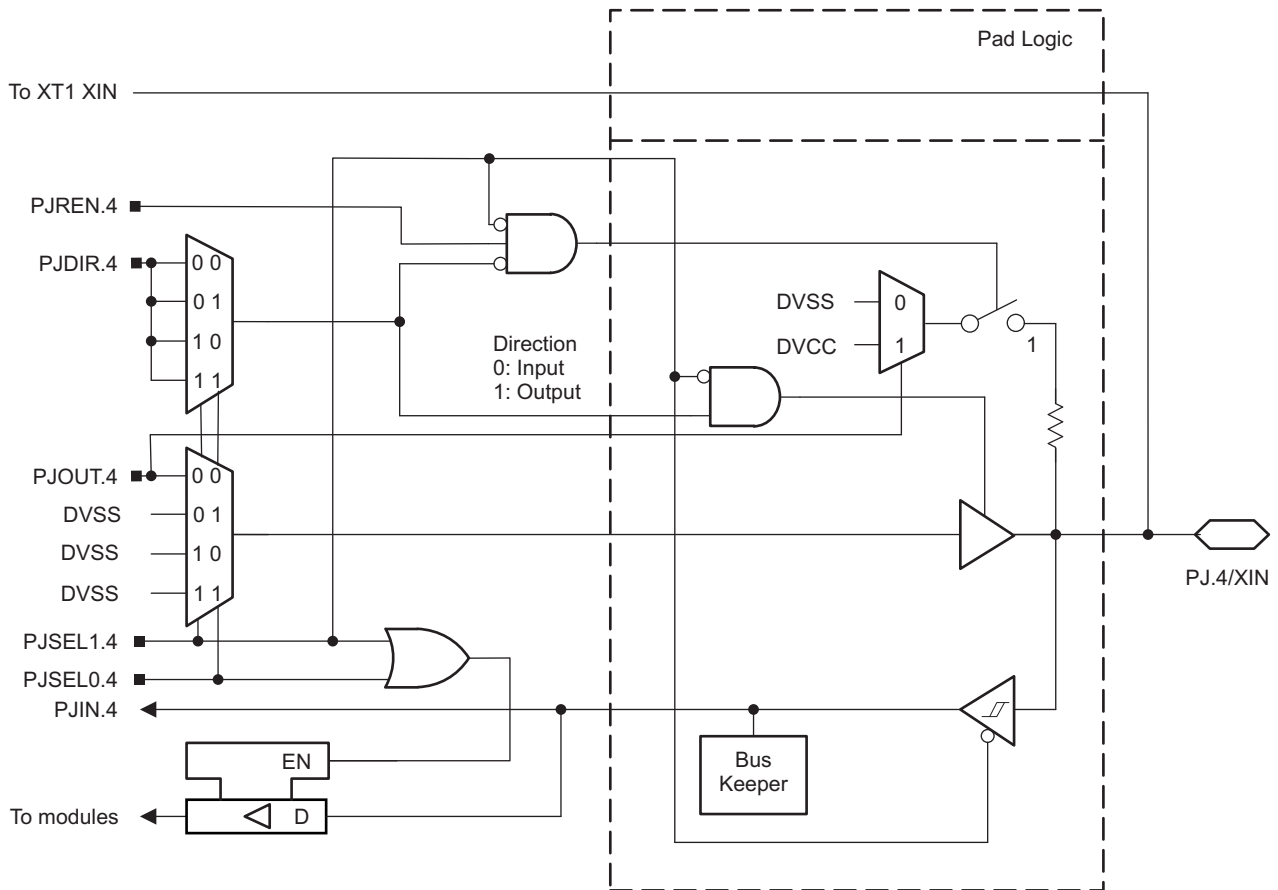


Figure 6-23. Port PJ (PJ.4) Diagram

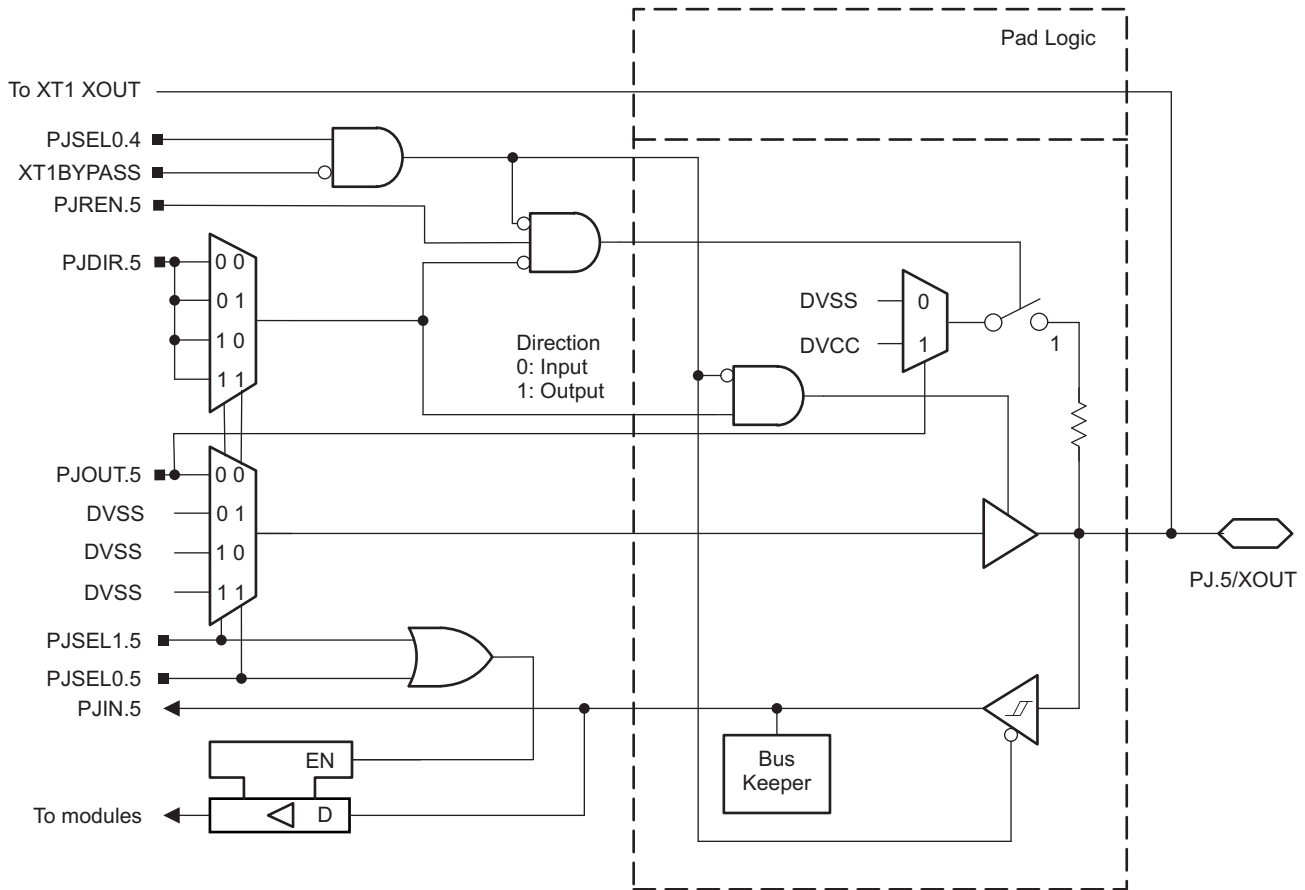


Figure 6-24. Port PJ (PJ.5) Diagram

Table 6-52. Port PJ (PJ.4 and PJ.5) Pin Functions

PIN NAME (P7.x)	x	FUNCTION	CONTROL BITS OR SIGNALS <sup>(1)</sup>					
			PJDIR.x	PJSEL1.5	PJSEL0.5	PJSEL1.4	PJSEL0.4	XT1 BYPASS
PJ.4/XIN	4	PJ.4 (I/O)	I: 0; O: 1	X	X	0	0	X
		XIN crystal mode <sup>(2)</sup>	X	X	X	0	1	0
		XIN bypass mode <sup>(2)</sup>	X	X	X	0	1	1
PJ.5/XOUT	5	PJ.5 (I/O)	I: 0; O: 1	0	0	0	0	X
		XOUT crystal mode <sup>(2)</sup>	X	X	X	0	1	0
		PJ.5 (I/O) <sup>(3)</sup>	I: 0; O: 1	X	X	0	1	1

(1) X = Don't care

(2) Setting PJSEL1.4 = 0 and PJSEL0.4 = 1 causes the general-purpose I/O to be disabled. When XT1BYPASS = 0, PJ.4 and PJ.5 are configured for crystal operation and PJSEL1.5 and PJSEL0.5 are don't care. When XT1BYPASS = 1, PJ.4 is configured for bypass operation and PJ.5 is configured as general-purpose I/O.

(3) When PJ.4 is configured in bypass mode, PJ.5 is configured as general-purpose I/O.



## 6.12 Device Descriptors (TLV)

Table 6-53 and Table 6-54 list the complete contents of the device descriptor tag-length-value (TLV) structure for each device type.

**Table 6-53. Device Descriptor Table <sup>(1)</sup>**

DESCRIPTION		ADDRESS	VALUE				
			FR5739	FR5738	FR5737	FR5736	FR5735
Info Block	Info length	01A00h	05h	05h	05h	05h	05h
	CRC length	01A01h	05h	05h	05h	05h	05h
	CRC value	01A02h	per unit	per unit	per unit	per unit	per unit
		01A03h	per unit	per unit	per unit	per unit	per unit
	Device ID	01A04h	03h	02h	01h	77h	76h
	Device ID	01A05h	81h	81h	81h	81h	81h
	Hardware revision	01A06h	per unit	per unit	per unit	per unit	per unit
Firmware revision	01A07h	per unit	per unit	per unit	per unit	per unit	
Die Record	Die record tag	01A08h	08h	08h	08h	08h	08h
	Die record length	01A09h	0Ah	0Ah	0Ah	0Ah	0Ah
	Lot/wafer ID	01A0Ah	per unit	per unit	per unit	per unit	per unit
		01A0Bh	per unit	per unit	per unit	per unit	per unit
		01A0Ch	per unit	per unit	per unit	per unit	per unit
		01A0Dh	per unit	per unit	per unit	per unit	per unit
	Die X position	01A0Eh	per unit	per unit	per unit	per unit	per unit
		01A0Fh	per unit	per unit	per unit	per unit	per unit
	Die Y position	01A10h	per unit	per unit	per unit	per unit	per unit
		01A11h	per unit	per unit	per unit	per unit	per unit
Test results	01A12h	per unit	per unit	per unit	per unit	per unit	
	01A13h	per unit	per unit	per unit	per unit	per unit	
ADC10 Calibration	ADC10 calibration tag	01A14h	13h	13h	13h	05h	13h
	ADC10 calibration length	01A15h	10h	10h	10h	10h	10h
	ADC gain factor	01A16h	per unit	per unit	NA	NA	per unit
		01A17h	per unit	per unit	NA	NA	per unit
	ADC offset	01A18h	per unit	per unit	NA	NA	per unit
		01A19h	per unit	per unit	NA	NA	per unit
	ADC 1.5-V reference Temp. sensor 30°C	01A1Ah	per unit	per unit	NA	NA	per unit
		01A1Bh	per unit	per unit	NA	NA	per unit
	ADC 1.5-V reference Temp. sensor 85°C	01A1Ch	per unit	per unit	NA	NA	per unit
		01A1Dh	per unit	per unit	NA	NA	per unit
	ADC 2.0-V reference Temp. sensor 30°C	01A1Eh	per unit	per unit	NA	NA	per unit
		01A1Fh	per unit	per unit	NA	NA	per unit
	ADC 2.0-V reference Temp. sensor 85°C	01A20h	per unit	per unit	NA	NA	per unit
		01A21h	per unit	per unit	NA	NA	per unit
	ADC 2.5-V reference Temp. sensor 30°C	01A22h	per unit	per unit	NA	NA	per unit
01A23h		per unit	per unit	NA	NA	per unit	
ADC 2.5-V reference Temp. sensor 85°C	01A24h	per unit	per unit	NA	NA	per unit	
	01A25h	per unit	per unit	NA	NA	per unit	

(1) NA = Not applicable

**Table 6-53. Device Descriptor Table <sup>(1)</sup> (continued)**

DESCRIPTION		ADDRESS	VALUE				
			FR5739	FR5738	FR5737	FR5736	FR5735
REF Calibration	REF calibration tag	01A26h	12h	12h	12h	12h	12h
	REF calibration length	01A27h	06h	06h	06h	06h	06h
	REF 1.5-V reference	01A28h	per unit	per unit	per unit	per unit	per unit
		01A29h	per unit	per unit	per unit	per unit	per unit
	REF 2.0-V reference	01A2Ah	per unit	per unit	per unit	per unit	per unit
		01A2Bh	per unit	per unit	per unit	per unit	per unit
	REF 2.5-V reference	01A2Ch	per unit	per unit	per unit	per unit	per unit
		01A2Dh	per unit	per unit	per unit	per unit	per unit

**Table 6-54. Device Descriptor Table <sup>(1)</sup>**

DESCRIPTION		ADDRESS	VALUE				
			FR5734	FR5733	FR5732	FR5731	FR5730
Info Block	Info length	01A00h	05h	05h	05h	05h	05h
	CRC length	01A01h	05h	05h	05h	05h	05h
	CRC value	01A02h	per unit	per unit	per unit	per unit	per unit
		01A03h	per unit	per unit	per unit	per unit	per unit
	Device ID	01A04h	00h	7Fh	75h	7Eh	7Ch
	Device ID	01A05h	81h	80h	81h	80h	80h
	Hardware revision	01A06h	per unit	per unit	per unit	per unit	per unit
	Firmware revision	01A07h	per unit	per unit	per unit	per unit	per unit
Die Record	Die record tag	01A08h	08h	08h	08h	08h	08h
	Die record length	01A09h	0Ah	0Ah	0Ah	0Ah	0Ah
	Lot/wafer ID	01A0Ah	per unit	per unit	per unit	per unit	per unit
		01A0Bh	per unit	per unit	per unit	per unit	per unit
		01A0Ch	per unit	per unit	per unit	per unit	per unit
		01A0Dh	per unit	per unit	per unit	per unit	per unit
	Die X position	01A0Eh	per unit	per unit	per unit	per unit	per unit
		01A0Fh	per unit	per unit	per unit	per unit	per unit
	Die Y position	01A10h	per unit	per unit	per unit	per unit	per unit
		01A11h	per unit	per unit	per unit	per unit	per unit
	Test results	01A12h	per unit	per unit	per unit	per unit	per unit
01A13h		per unit	per unit	per unit	per unit	per unit	

(1) NA = Not applicable

**Table 6-54. Device Descriptor Table <sup>(1)</sup> (continued)**

DESCRIPTION		ADDRESS	VALUE				
			FR5734	FR5733	FR5732	FR5731	FR5730
ADC10 Calibration	ADC10 calibration tag	01A14h	13h	13h	13h	05h	13h
	ADC10 calibration length	01A15h	10h	10h	10h	10h	10h
	ADC gain factor	01A16h	per unit	NA	NA	per unit	per unit
		01A17h	per unit	NA	NA	per unit	per unit
	ADC Offset	01A18h	per unit	NA	NA	per unit	per unit
		01A19h	per unit	NA	NA	per unit	per unit
	ADC 1.5-V reference Temp. sensor 30°C	01A1Ah	per unit	NA	NA	per unit	per unit
		01A1Bh	per unit	NA	NA	per unit	per unit
	ADC 1.5-V reference Temp. sensor 85°C	01A1Ch	per unit	NA	NA	per unit	per unit
		01A1Dh	per unit	NA	NA	per unit	per unit
	ADC 2.0-V reference Temp. sensor 30°C	01A1Eh	per unit	NA	NA	per unit	per unit
		01A1Fh	per unit	NA	NA	per unit	per unit
	ADC 2.0-V reference Temp. sensor 85°C	01A20h	per unit	NA	NA	per unit	per unit
		01A21h	per unit	NA	NA	per unit	per unit
	ADC 2.5-V reference Temp. sensor 30°C	01A22h	per unit	NA	NA	per unit	per unit
		01A23h	per unit	NA	NA	per unit	per unit
ADC 2.5-V reference Temp. sensor 85°C	01A24h	per unit	NA	NA	per unit	per unit	
	01A25h	per unit	NA	NA	per unit	per unit	
REF Calibration	REF calibration tag	01A26h	12h	12h	12h	12h	12h
	REF Calibration length	01A27h	06h	06h	06h	06h	06h
	REF 1.5-V reference	01A28h	per unit	per unit	per unit	per unit	per unit
		01A29h	per unit	per unit	per unit	per unit	per unit
	REF 2.0-V reference	01A2Ah	per unit	per unit	per unit	per unit	per unit
		01A2Bh	per unit	per unit	per unit	per unit	per unit
	REF 2.5-V reference	01A2Ch	per unit	per unit	per unit	per unit	per unit
		01A2Dh	per unit	per unit	per unit	per unit	per unit

## 7 Device and Documentation Support

### 7.1 Getting Started

TI provides all of the hardware platforms and software components and tooling you need to get started today! Not only that, TI has many complementary components to meet your needs. For an overview of the MSP430™ MCU product line, the available development tools and evaluation kits, and advanced development resources, visit the [MSP430 Getting Started](#) page.

### 7.2 Device Nomenclature

To designate the stages in the product development cycle, TI assigns prefixes to the part numbers of all MSP430 MCU devices and support tools. Each MSP430 MCU commercial family member has one of three prefixes: MSP, PMS, or XMS (for example, MSP430F5438A). TI recommends two of three possible prefix designators for its support tools: MSP and MSPX. These prefixes represent evolutionary stages of product development from engineering prototypes (with XMS for devices and MSPX for tools) through fully qualified production devices and tools (with MSP for devices and MSP for tools).

Device development evolutionary flow:

**XMS** – Experimental device that is not necessarily representative of the electrical specifications for the final device

**PMS** – Final silicon die that conforms to the electrical specifications for the device but has not completed quality and reliability verification

**MSP** – Fully qualified production device

Support tool development evolutionary flow:

**MSPX** – Development-support product that has not yet completed TI's internal qualification testing.

**MSP** – Fully-qualified development-support product

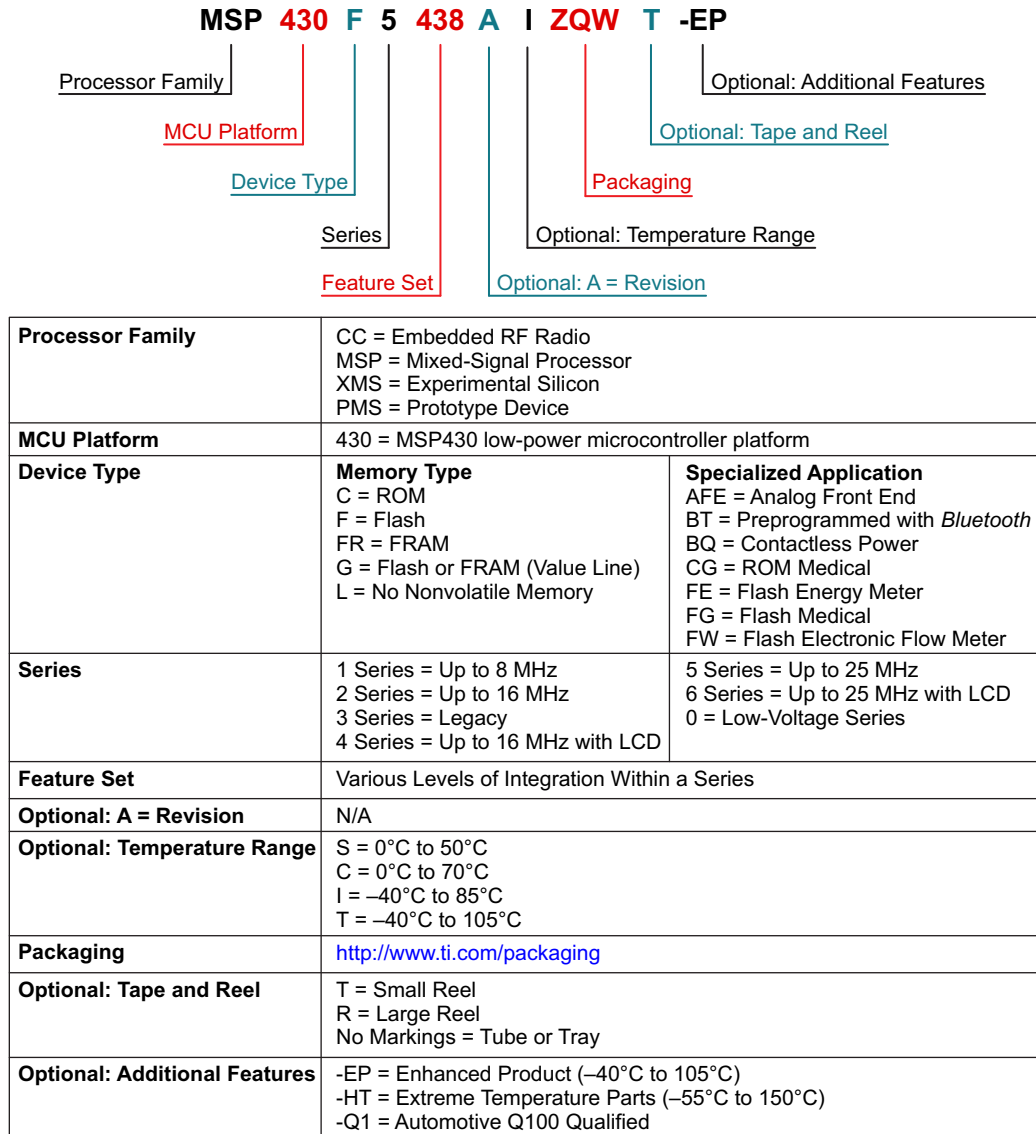
XMS and PMS devices and MSPX development-support tools are shipped against the following disclaimer:

"Developmental product is intended for internal evaluation purposes."

MSP devices and MSP development-support tools have been characterized fully, and the quality and reliability of the device have been demonstrated fully. TI's standard warranty applies.

Predictions show that prototype devices (XMS and PMS) have a greater failure rate than the standard production devices. TI recommends that these devices not be used in any production system because their expected end-use failure rate still is undefined. Only qualified production devices are to be used.

TI device nomenclature also includes a suffix with the device family name. This suffix indicates the package type (for example, PZP) and temperature range (for example, T). [Figure 7-1](#) provides a legend for reading the complete device name for any family member.


**Figure 7-1. Device Nomenclature**

### 7.3 Tools and Software

Table 7-1 lists the debug features supported by these microcontrollers. See the [Code Composer Studio for MSP430 User's Guide](#) for details on the available features.

**Table 7-1. Hardware Features**

MSP430 ARCHITECTURE	4-WIRE JTAG	2-WIRE JTAG	BREAK-POINTS (N)	RANGE BREAK-POINTS	CLOCK CONTROL	STATE SEQUENCER	TRACE BUFFER	LPMx.5 DEBUGGING SUPPORT
MSP430Xv2	Yes	Yes	3	Yes	Yes	No	No	Yes

#### Design Kits and Evaluation Modules

**EEPROM Emulation and Sensing With MSP430 FRAM Microcontrollers** This TI Design reference design describes an implementation of emulating EEPROM using Ferroelectric Random Access Memory (FRAM) technology on MSP430™ ultra-low-power microcontrollers (MCUs) combined with the additional sensing capabilities that can be enabled when using an MCU. The reference design supports both I2C and SPI interface to a host processor with multiple slave addressing.

**MSP-EXP430FR5739 Experimenter Board** The MSP-EXP430FR5739 Experimenter Board is a development platform for the MSP430FR57xx devices. It supports this new generation of MSP430 microcontroller devices with integrated Ferroelectric Random Access Memory (FRAM). The board is compatible with many TI low-power RF wireless evaluation modules such as the CC2520EMK. The Experimenter Board helps designers quickly learn and develop using the new MSP430FR57xx MCUs, which provide the industry's lowest overall power consumption, fast data read /write and unbeatable memory endurance. The MSP-EXP430FR5739 Experimenter Board can help evaluate and drive development for data logging applications, energy harvesting, wireless sensing, automatic metering infrastructure (AMI) and many others.

**MSP-TS430RHA40A - 40-pin Target Development Board for MSP430FRxx FRAM MCUs** The MSP-TS430RHA40A is a stand-alone 40-pin ZIF socket target board used to program and debug the MSP430 MCU in-system through the JTAG interface or the Spy Bi-Wire (2-wire JTAG) protocol.

#### Software

**MSP430FR573x, MSP430FR572x C Code Examples** C Code examples are available for every MSP device that configures each of the integrated peripherals for various application needs.

**MSPWare™ Software** MSPWare software is a collection of code examples, data sheets, and other design resources for all MSP devices delivered in a convenient package. In addition to providing a complete collection of existing MSP design resources, MSPWare software also includes a high-level API called MSP Driver Library. This library makes it easy to program MSP hardware. MSPWare software is available as a component of CCS or as a stand-alone package.

**MSP Driver Library** Driver Library's abstracted API keeps you above the bits and bytes of the MSP430 hardware by providing easy-to-use function calls. Thorough documentation is delivered through a helpful API Guide, which includes details on each function call and the recognized parameters. Developers can use Driver Library functions to write complete projects with minimal overhead.

**MSP EnergyTrace™ Technology** EnergyTrace technology for MSP430 microcontrollers is an energy-based code analysis tool that measures and displays the application's energy profile and helps to optimize it for ultra-low-power consumption.

**ULP (Ultra-Low Power) Advisor** ULP Advisor™ software is a tool for guiding developers to write more efficient code to fully utilize the unique ultra-low power features of MSP and MSP432 microcontrollers. Aimed at both experienced and new microcontroller developers, ULP Advisor checks your code against a thorough ULP checklist to squeeze every last nano amp out of your application. At build time, ULP Advisor will provide notifications and remarks to highlight areas of your code that can be further optimized for lower power.

**IEC60730 Software Package** The IEC60730 MSP430 software package was developed to be useful in assisting customers in complying with IEC 60730-1:2010 (Automatic Electrical Controls for Household and Similar Use – Part 1: General Requirements) for up to Class B products, which includes home appliances, arc detectors, power converters, power tools, e-bikes, and many others. The IEC60730 MSP430 software package can be embedded in customer applications running on MSP430s to help simplify the customer's certification efforts of functional safety-compliant consumer devices to IEC 60730-1:2010 Class B.

**Fixed-Point Math Library for MSP** The MSP IQmath and Qmath Libraries are a collection of highly optimized and high-precision mathematical functions for C programmers to seamlessly port a floating-point algorithm into fixed-point code on MSP430 and MSP432 devices. These routines are typically used in computationally intensive real-time applications where optimal execution speed, high accuracy, and ultra-low energy are critical. By using the IQmath and Qmath libraries, it is possible to achieve execution speeds considerably faster and energy consumption considerably lower than equivalent code written using floating-point math.

**Floating-Point Math Library for MSP430** Continuing to innovate in the low power and low cost microcontroller space, TI brings you MSPMATHLIB. Leveraging the intelligent peripherals of our devices, this floating point math library of scalar functions brings you up to 26x better performance. Mathlib is easy to integrate into your designs. This library is free and is integrated in both Code Composer Studio and IAR IDEs. Read the user's guide for an in depth look at the math library and relevant benchmarks.

## Development Tools

**Code Composer Studio™ Integrated Development Environment for MSP Microcontrollers** Code Composer Studio is an integrated development environment (IDE) that supports all MSP microcontroller devices. Code Composer Studio comprises a suite of embedded software utilities used to develop and debug embedded applications. It includes an optimizing C/C++ compiler, source code editor, project build environment, debugger, profiler, and many other features. The intuitive IDE provides a single user interface taking you through each step of the application development flow. Familiar utilities and interfaces allow users to get started faster than ever before. Code Composer Studio combines the advantages of the Eclipse software framework with advanced embedded debug capabilities from TI resulting in a compelling feature-rich development environment for embedded developers. When using CCS with an MSP MCU, a unique and powerful set of plugins and embedded software utilities are made available to fully leverage the MSP microcontroller.

**Command-Line Programmer** MSP Flasher is an open-source shell-based interface for programming MSP microcontrollers through a FET programmer or eZ430 using JTAG or Spy-Bi-Wire (SBW) communication. MSP Flasher can download binary files (.txt or .hex) files directly to the MSP microcontroller without an IDE.

**MSP MCU Programmer and Debugger** The MSP-FET is a powerful emulation development tool – often called a debug probe – which allows users to quickly begin application development on MSP low-power microcontrollers (MCU). Creating MCU software usually requires downloading the resulting binary program to the MSP device for validation and debugging. The MSP-FET provides a debug communication pathway between a host computer and the target MSP. Furthermore, the MSP-FET also provides a Backchannel UART connection between the computer's USB interface and the MSP UART. This affords the MSP programmer a convenient method for communicating serially between the MSP and a terminal running on the computer. It also supports loading programs (often called firmware) to the MSP target using the BSL (bootloader) through the UART and I<sup>2</sup>C communication protocols.

**MSP-GANG Production Programmer** The MSP Gang Programmer is an MSP430 or MSP432 device programmer that can program up to eight identical MSP430 or MSP432 Flash or FRAM devices at the same time. The MSP Gang Programmer connects to a host PC using a standard RS-232 or USB connection and provides flexible programming options that allow the user to fully customize the process. The MSP Gang Programmer is provided with an expansion board, called the Gang Splitter, that implements the interconnections between the MSP Gang Programmer and multiple target devices. Eight cables are provided that connect the expansion board to eight target devices (through JTAG or Spy-Bi-Wire connectors). The programming can be done with a PC or as a stand-alone device. A PC-side graphical user interface is also available and is DLL-based.

## 7.4 Documentation Support

The following documents describe the [MSP430FR573x](#) MCUs. Copies of these documents are available on the Internet at [www.ti.com](#).

To receive notification of documentation updates—including silicon errata—go to the product folder for your device on [ti.com](#) (for example, [MSP430FR5739](#)). In the upper right corner, click the "Alert me" button. This registers you to receive a weekly digest of product information that has changed (if any). For change details, check the revision history of any revised document.

### Errata

**MSP430FR5739 Device Erratasheet** Describes the known exceptions to the functional specifications for each silicon revision of this device.

**MSP430FR5738 Device Erratasheet** Describes the known exceptions to the functional specifications for each silicon revision of this device.

**MSP430FR5737 Device Erratasheet** Describes the known exceptions to the functional specifications for each silicon revision of this device.

**MSP430FR5736 Device Erratasheet** Describes the known exceptions to the functional specifications for each silicon revision of this device.

**MSP430FR5735 Device Erratasheet** Describes the known exceptions to the functional specifications for each silicon revision of this device.

**MSP430FR5734 Device Erratasheet** Describes the known exceptions to the functional specifications for each silicon revision of this device.

**MSP430FR5733 Device Erratasheet** Describes the known exceptions to the functional specifications for each silicon revision of this device.

**MSP430FR5732 Device Erratasheet** Describes the known exceptions to the functional specifications for each silicon revision of this device.

**MSP430FR5731 Device Erratasheet** Describes the known exceptions to the functional specifications for each silicon revision of this device.



**MSP430FR5730 Device Erratasheet** Describes the known exceptions to the functional specifications for each silicon revision of this device.

## User's Guides

**MSP430FR57xx Family User's Guide** Detailed description of all modules and peripherals available in this device family.

**Code Composer Studio v6.1 for MSP430 User's Guide** This manual describes the use of TI Code Composer Studio IDE v6.1 (CCS v6.1) with the MSP430 ultra-low-power microcontrollers. This document applies only for the Windows version of the Code Composer Studio IDE. The Linux version is similar and, therefore, is not described separately.

**IAR Embedded Workbench Version 3+ for MSP430 User's Guide** This manual describes the use of IAR Embedded Workbench (EW430) with the MSP430 ultra-low-power microcontrollers.

**MSP430 Programming With the Bootloader (BSL)** The MSP430 bootloader (BSL, formerly known as the bootstrap loader) allows users to communicate with embedded memory in the MSP430 microcontroller during the prototyping phase, final production, and in service. Both the programmable memory (flash memory) and the data memory (RAM) can be modified as required. Do not confuse the bootloader with the bootstrap loader programs found in some digital signal processors (DSPs) that automatically load program code (and data) from external memory to the internal memory of the DSP.

**MSP430 Programming Via the JTAG Interface** This document describes the functions that are required to erase, program, and verify the memory module of the MSP430 flash-based and FRAM-based microcontroller families using the JTAG communication port. In addition, it describes how to program the JTAG access security fuse that is available on all MSP430 devices. This document describes device access using both the standard 4-wire JTAG interface and the 2-wire JTAG interface, which is also referred to as Spy-Bi-Wire (SBW).

**MSP430 Hardware Tools User's Guide** This manual describes the hardware of the TI MSP-FET430 Flash Emulation Tool (FET). The FET is the program development tool for the MSP430 ultra-low-power microcontroller. Both available interface types, the parallel port interface and the USB interface, are described.

## Application Reports

**MSP430 32-kHz Crystal Oscillators** Selection of the right crystal, correct load circuit, and proper board layout are important for a stable crystal oscillator. This application report summarizes crystal oscillator function and explains the parameters to select the correct crystal for MSP430 ultra-low-power operation. In addition, hints and examples for correct board layout are given. The document also contains detailed information on the possible oscillator tests to ensure stable oscillator operation in mass production.

**MSP430 System-Level ESD Considerations** System-Level ESD has become increasingly demanding with silicon technology scaling towards lower voltages and the need for designing cost-effective and ultra-low-power components. This application report addresses three different ESD topics to help board designers and OEMs understand and design robust system-level designs: (1) Component-level ESD testing and system-level ESD testing, their differences and why component-level ESD rating does not ensure system-level robustness. (2) General design guidelines for system-level ESD protection at different levels including enclosures, cables, PCB layout, and on-board ESD protection devices. (3) Introduction to System Efficient ESD Design (SEED), a co-design methodology of on-board and on-chip ESD protection to achieve system-level ESD robustness, with example simulations and test results. A few real-world system-level ESD protection design examples and their results are also discussed.

## 7.5 Related Links

Table 7-2 lists quick access links. Categories include technical documents, support and community resources, tools and software, and quick access to sample or buy.

Table 7-2. Related Links

PARTS	PRODUCT FOLDER	SAMPLE & BUY	TECHNICAL DOCUMENTS	TOOLS & SOFTWARE	SUPPORT & COMMUNITY
MSP430FR5739	<a href="#">Click here</a>	<a href="#">Click here</a>	<a href="#">Click here</a>	<a href="#">Click here</a>	<a href="#">Click here</a>
MSP430FR5738	<a href="#">Click here</a>	<a href="#">Click here</a>	<a href="#">Click here</a>	<a href="#">Click here</a>	<a href="#">Click here</a>
MSP430FR5737	<a href="#">Click here</a>	<a href="#">Click here</a>	<a href="#">Click here</a>	<a href="#">Click here</a>	<a href="#">Click here</a>
MSP430FR5736	<a href="#">Click here</a>	<a href="#">Click here</a>	<a href="#">Click here</a>	<a href="#">Click here</a>	<a href="#">Click here</a>
MSP430FR5735	<a href="#">Click here</a>	<a href="#">Click here</a>	<a href="#">Click here</a>	<a href="#">Click here</a>	<a href="#">Click here</a>
MSP430FR5734	<a href="#">Click here</a>	<a href="#">Click here</a>	<a href="#">Click here</a>	<a href="#">Click here</a>	<a href="#">Click here</a>
MSP430FR5733	<a href="#">Click here</a>	<a href="#">Click here</a>	<a href="#">Click here</a>	<a href="#">Click here</a>	<a href="#">Click here</a>
MSP430FR5732	<a href="#">Click here</a>	<a href="#">Click here</a>	<a href="#">Click here</a>	<a href="#">Click here</a>	<a href="#">Click here</a>
MSP430FR5731	<a href="#">Click here</a>	<a href="#">Click here</a>	<a href="#">Click here</a>	<a href="#">Click here</a>	<a href="#">Click here</a>
MSP430FR5730	<a href="#">Click here</a>	<a href="#">Click here</a>	<a href="#">Click here</a>	<a href="#">Click here</a>	<a href="#">Click here</a>

## 7.6 Community Resources

The following links connect to TI community resources. Linked contents are provided "AS IS" by the respective contributors. They do not constitute TI specifications and do not necessarily reflect TI's views; see TI's [Terms of Use](#).

### TI E2E™ Community

TI's *Engineer-to-Engineer (E2E) Community*. Created to foster collaboration among engineers. At [e2e.ti.com](http://e2e.ti.com), you can ask questions, share knowledge, explore ideas, and help solve problems with fellow engineers.

### TI Embedded Processors Wiki

*Texas Instruments Embedded Processors Wiki*. Established to help developers get started with embedded processors from Texas Instruments and to foster innovation and growth of general knowledge about the hardware and software surrounding these devices.

## 7.7 Trademarks

MSP430, MSPWare, EnergyTrace, ULP Advisor, Code Composer Studio, E2E are trademarks of Texas Instruments.

All other trademarks are the property of their respective owners.

## 7.8 Electrostatic Discharge Caution



This integrated circuit can be damaged by ESD. Texas Instruments recommends that all integrated circuits be handled with appropriate precautions. Failure to observe proper handling and installation procedures can cause damage.

ESD damage can range from subtle performance degradation to complete device failure. Precision integrated circuits may be more susceptible to damage because very small parametric changes could cause the device not to meet its published specifications.

## 7.9 Export Control Notice

Recipient agrees to not knowingly export or re-export, directly or indirectly, any product or technical data (as defined by the U.S., EU, and other Export Administration Regulations) including software, or any controlled product restricted by other applicable national regulations, received from disclosing party under nondisclosure obligations (if any), or any direct product of such technology, to any destination to which such export or re-export is restricted or prohibited by U.S. or other applicable laws, without obtaining prior authorization from U.S. Department of Commerce and other competent Government authorities to the extent required by those laws.

## 7.10 Glossary

[TI Glossary](#) This glossary lists and explains terms, acronyms, and definitions.

## 8 Mechanical, Packaging, and Orderable Information

### 8.1 Packaging Information

The following pages include mechanical, packaging, and orderable information. This information is the most current data available for the designated devices. This data is subject to change without notice and revision of this document. For browser-based versions of this data sheet, refer to the left-hand navigation.

**PACKAGING INFORMATION**

Orderable Device	Status (1)	Package Type	Package Drawing	Pins	Package Qty	Eco Plan (2)	Lead/Ball Finish (6)	MSL Peak Temp (3)	Op Temp (°C)	Device Marking (4/5)	Samples
MSP430FR5730IPW	ACTIVE	TSSOP	PW	28	50	Green (RoHS & no Sb/Br)	CU NIPDAU	Level-1-260C-UNLIM	-40 to 85	430FR5730	<a href="#">Samples</a>
MSP430FR5730IPWR	ACTIVE	TSSOP	PW	28	2000	Green (RoHS & no Sb/Br)	CU NIPDAU	Level-1-260C-UNLIM	-40 to 85	430FR5730	<a href="#">Samples</a>
MSP430FR5730IRGER	ACTIVE	VQFN	RGE	24	3000	Green (RoHS & no Sb/Br)	CU NIPDAU	Level-2-260C-1 YEAR	-40 to 85	430FR 5730	<a href="#">Samples</a>
MSP430FR5730IRGET	ACTIVE	VQFN	RGE	24	250	Green (RoHS & no Sb/Br)	CU NIPDAU	Level-2-260C-1 YEAR	-40 to 85	430FR 5730	<a href="#">Samples</a>
MSP430FR5731IDA	ACTIVE	TSSOP	DA	38		Green (RoHS & no Sb/Br)	CU NIPDAU	Level-2-260C-1 YEAR	-40 to 85	M430FR5731	<a href="#">Samples</a>
MSP430FR5731IDAR	ACTIVE	TSSOP	DA	38	2000	Green (RoHS & no Sb/Br)	CU NIPDAU	Level-2-260C-1 YEAR	-40 to 85	M430FR5731	<a href="#">Samples</a>
MSP430FR5731IRHAR	ACTIVE	VQFN	RHA	40	2500	Green (RoHS & no Sb/Br)	CU NIPDAU	Level-3-260C-168 HR	-40 to 85	M430 FR5731	<a href="#">Samples</a>
MSP430FR5731IRHAT	NRND	VQFN	RHA	40	250	Green (RoHS & no Sb/Br)	CU NIPDAU	Level-3-260C-168 HR	-40 to 85	M430 FR5731	
MSP430FR5732IPW	ACTIVE	TSSOP	PW	28	50	Green (RoHS & no Sb/Br)	CU NIPDAU	Level-1-260C-UNLIM	-40 to 85	430FR5732	<a href="#">Samples</a>
MSP430FR5732IPWR	ACTIVE	TSSOP	PW	28	2000	Green (RoHS & no Sb/Br)	CU NIPDAU	Level-1-260C-UNLIM	-40 to 85	430FR5732	<a href="#">Samples</a>
MSP430FR5732IRGER	ACTIVE	VQFN	RGE	24	3000	Green (RoHS & no Sb/Br)	CU NIPDAU	Level-2-260C-1 YEAR	-40 to 85	430FR 5732	<a href="#">Samples</a>
MSP430FR5732IRGET	ACTIVE	VQFN	RGE	24	250	Green (RoHS & no Sb/Br)	CU NIPDAU	Level-2-260C-1 YEAR	-40 to 85	430FR 5732	<a href="#">Samples</a>
MSP430FR5733IDA	ACTIVE	TSSOP	DA	38		Green (RoHS & no Sb/Br)	CU NIPDAU	Level-2-260C-1 YEAR	-40 to 85	M430FR5733	<a href="#">Samples</a>
MSP430FR5733IDAR	ACTIVE	TSSOP	DA	38	2000	Green (RoHS & no Sb/Br)	CU NIPDAU	Level-2-260C-1 YEAR	-40 to 85	M430FR5733	<a href="#">Samples</a>
MSP430FR5733IRHAR	ACTIVE	VQFN	RHA	40	2500	Green (RoHS & no Sb/Br)	CU NIPDAU	Level-3-260C-168 HR	-40 to 85	M430 FR5733	<a href="#">Samples</a>
MSP430FR5733IRHAT	ACTIVE	VQFN	RHA	40	250	Green (RoHS & no Sb/Br)	CU NIPDAU	Level-3-260C-168 HR	-40 to 85	M430 FR5733	<a href="#">Samples</a>
MSP430FR5734IPW	ACTIVE	TSSOP	PW	28	50	Green (RoHS & no Sb/Br)	CU NIPDAU	Level-1-260C-UNLIM	-40 to 85	430FR5734	<a href="#">Samples</a>

Orderable Device	Status (1)	Package Type	Package Drawing	Pins	Package Qty	Eco Plan (2)	Lead/Ball Finish (6)	MSL Peak Temp (3)	Op Temp (°C)	Device Marking (4/5)	Samples
MSP430FR5734IPWR	ACTIVE	TSSOP	PW	28	2000	Green (RoHS & no Sb/Br)	CU NIPDAU	Level-1-260C-UNLIM	-40 to 85	430FR5734	<a href="#">Samples</a>
MSP430FR5734IRGER	ACTIVE	VQFN	RGE	24	3000	Green (RoHS & no Sb/Br)	CU NIPDAU	Level-2-260C-1 YEAR	-40 to 85	430FR 5734	<a href="#">Samples</a>
MSP430FR5735IDA	ACTIVE	TSSOP	DA	38	40	Green (RoHS & no Sb/Br)	CU NIPDAU	Level-2-260C-1 YEAR	-40 to 85	M430FR5735	<a href="#">Samples</a>
MSP430FR5735IDAR	ACTIVE	TSSOP	DA	38	2000	Green (RoHS & no Sb/Br)	CU NIPDAU	Level-2-260C-1 YEAR	-40 to 85	M430FR5735	<a href="#">Samples</a>
MSP430FR5735IRHAR	ACTIVE	VQFN	RHA	40	2500	Green (RoHS & no Sb/Br)	CU NIPDAU	Level-3-260C-168 HR	-40 to 85	M430 FR5735	<a href="#">Samples</a>
MSP430FR5735IRHAT	ACTIVE	VQFN	RHA	40	250	Green (RoHS & no Sb/Br)	CU NIPDAU	Level-3-260C-168 HR	-40 to 85	M430 FR5735	<a href="#">Samples</a>
MSP430FR5736IPW	ACTIVE	TSSOP	PW	28	50	Green (RoHS & no Sb/Br)	CU NIPDAU	Level-1-260C-UNLIM	-40 to 85	430FR5736	<a href="#">Samples</a>
MSP430FR5736IPWR	ACTIVE	TSSOP	PW	28	2000	Green (RoHS & no Sb/Br)	CU NIPDAU	Level-1-260C-UNLIM	-40 to 85	430FR5736	<a href="#">Samples</a>
MSP430FR5736IRGER	ACTIVE	VQFN	RGE	24	3000	Green (RoHS & no Sb/Br)	CU NIPDAU	Level-2-260C-1 YEAR	-40 to 85	430FR 5736	<a href="#">Samples</a>
MSP430FR5736IRGET	ACTIVE	VQFN	RGE	24	250	Green (RoHS & no Sb/Br)	CU NIPDAU	Level-2-260C-1 YEAR	-40 to 85	430FR 5736	<a href="#">Samples</a>
MSP430FR5737IDA	ACTIVE	TSSOP	DA	38		Green (RoHS & no Sb/Br)	CU NIPDAU	Level-2-260C-1 YEAR	-40 to 85	M430FR5737	<a href="#">Samples</a>
MSP430FR5737IDAR	ACTIVE	TSSOP	DA	38	2000	Green (RoHS & no Sb/Br)	CU NIPDAU	Level-2-260C-1 YEAR	-40 to 85	M430FR5737	<a href="#">Samples</a>
MSP430FR5737IRHAR	ACTIVE	VQFN	RHA	40	2500	Green (RoHS & no Sb/Br)	CU NIPDAU	Level-3-260C-168 HR	-40 to 85	M430 FR5737	<a href="#">Samples</a>
MSP430FR5737IRHAT	ACTIVE	VQFN	RHA	40	250	Green (RoHS & no Sb/Br)	CU NIPDAU	Level-3-260C-168 HR	-40 to 85	M430 FR5737	<a href="#">Samples</a>
MSP430FR5738IPW	ACTIVE	TSSOP	PW	28	50	Green (RoHS & no Sb/Br)	CU NIPDAU	Level-1-260C-UNLIM	-40 to 85	430FR5738	<a href="#">Samples</a>
MSP430FR5738IPWR	ACTIVE	TSSOP	PW	28	2000	Green (RoHS & no Sb/Br)	CU NIPDAU	Level-1-260C-UNLIM	-40 to 85	430FR5738	<a href="#">Samples</a>
MSP430FR5738IRGER	ACTIVE	VQFN	RGE	24	3000	Green (RoHS & no Sb/Br)	CU NIPDAU	Level-2-260C-1 YEAR	-40 to 85	430FR 5738	<a href="#">Samples</a>
MSP430FR5738IRGET	ACTIVE	VQFN	RGE	24	250	Green (RoHS & no Sb/Br)	CU NIPDAU	Level-2-260C-1 YEAR	-40 to 85	430FR 5738	<a href="#">Samples</a>

Orderable Device	Status (1)	Package Type	Package Drawing	Pins	Package Qty	Eco Plan (2)	Lead/Ball Finish (6)	MSL Peak Temp (3)	Op Temp (°C)	Device Marking (4/5)	Samples
MSP430FR5738IYQDR	ACTIVE	DSBGA	YQD	24	3000	Green (RoHS & no Sb/Br)	SNAGCU	Level-1-260C-UNLIM	-40 to 85	430FR5738	<a href="#">Samples</a>
MSP430FR5738IYQDT	ACTIVE	DSBGA	YQD	24	250	Green (RoHS & no Sb/Br)	SNAGCU	Level-1-260C-UNLIM	-40 to 85	430FR5738	<a href="#">Samples</a>
MSP430FR5739IDA	ACTIVE	TSSOP	DA	38	40	Green (RoHS & no Sb/Br)	CU NIPDAU	Level-2-260C-1 YEAR	-40 to 85	M430FR5739	<a href="#">Samples</a>
MSP430FR5739IDAR	ACTIVE	TSSOP	DA	38	2000	Green (RoHS & no Sb/Br)	CU NIPDAU	Level-2-260C-1 YEAR	-40 to 85	M430FR5739	<a href="#">Samples</a>
MSP430FR5739IRHAR	ACTIVE	VQFN	RHA	40	2500	Green (RoHS & no Sb/Br)	CU NIPDAU	Level-3-260C-168 HR	-40 to 85	M430 FR5739	<a href="#">Samples</a>
MSP430FR5739IRHAT	ACTIVE	VQFN	RHA	40	250	Green (RoHS & no Sb/Br)	CU NIPDAU	Level-3-260C-168 HR	-40 to 85	M430 FR5739	<a href="#">Samples</a>

(1) The marketing status values are defined as follows:

**ACTIVE:** Product device recommended for new designs.

**LIFEBUY:** TI has announced that the device will be discontinued, and a lifetime-buy period is in effect.

**NRND:** Not recommended for new designs. Device is in production to support existing customers, but TI does not recommend using this part in a new design.

**PREVIEW:** Device has been announced but is not in production. Samples may or may not be available.

**OBSOLETE:** TI has discontinued the production of the device.

(2) Eco Plan - The planned eco-friendly classification: Pb-Free (RoHS), Pb-Free (RoHS Exempt), or Green (RoHS & no Sb/Br) - please check <http://www.ti.com/productcontent> for the latest availability information and additional product content details.

**TBD:** The Pb-Free/Green conversion plan has not been defined.

**Pb-Free (RoHS):** TI's terms "Lead-Free" or "Pb-Free" mean semiconductor products that are compatible with the current RoHS requirements for all 6 substances, including the requirement that lead not exceed 0.1% by weight in homogeneous materials. Where designed to be soldered at high temperatures, TI Pb-Free products are suitable for use in specified lead-free processes.

**Pb-Free (RoHS Exempt):** This component has a RoHS exemption for either 1) lead-based flip-chip solder bumps used between the die and package, or 2) lead-based die adhesive used between the die and leadframe. The component is otherwise considered Pb-Free (RoHS compatible) as defined above.

**Green (RoHS & no Sb/Br):** TI defines "Green" to mean Pb-Free (RoHS compatible), and free of Bromine (Br) and Antimony (Sb) based flame retardants (Br or Sb do not exceed 0.1% by weight in homogeneous material)

(3) MSL, Peak Temp. - The Moisture Sensitivity Level rating according to the JEDEC industry standard classifications, and peak solder temperature.

(4) There may be additional marking, which relates to the logo, the lot trace code information, or the environmental category on the device.

(5) Multiple Device Markings will be inside parentheses. Only one Device Marking contained in parentheses and separated by a "-" will appear on a device. If a line is indented then it is a continuation of the previous line and the two combined represent the entire Device Marking for that device.

<sup>(6)</sup> Lead/Ball Finish - Orderable Devices may have multiple material finish options. Finish options are separated by a vertical ruled line. Lead/Ball Finish values may wrap to two lines if the finish value exceeds the maximum column width.

**Important Information and Disclaimer:**The information provided on this page represents TI's knowledge and belief as of the date that it is provided. TI bases its knowledge and belief on information provided by third parties, and makes no representation or warranty as to the accuracy of such information. Efforts are underway to better integrate information from third parties. TI has taken and continues to take reasonable steps to provide representative and accurate information but may not have conducted destructive testing or chemical analysis on incoming materials and chemicals. TI and TI suppliers consider certain information to be proprietary, and thus CAS numbers and other limited information may not be available for release.

In no event shall TI's liability arising out of such information exceed the total purchase price of the TI part(s) at issue in this document sold by TI to Customer on an annual basis.

**OTHER QUALIFIED VERSIONS OF MSP430FR5739 :**

- Enhanced Product: [MSP430FR5739-EP](#)

NOTE: Qualified Version Definitions:

- Enhanced Product - Supports Defense, Aerospace and Medical Applications

## TAPE AND REEL INFORMATION



### QUADRANT ASSIGNMENTS FOR PIN 1 ORIENTATION IN TAPE

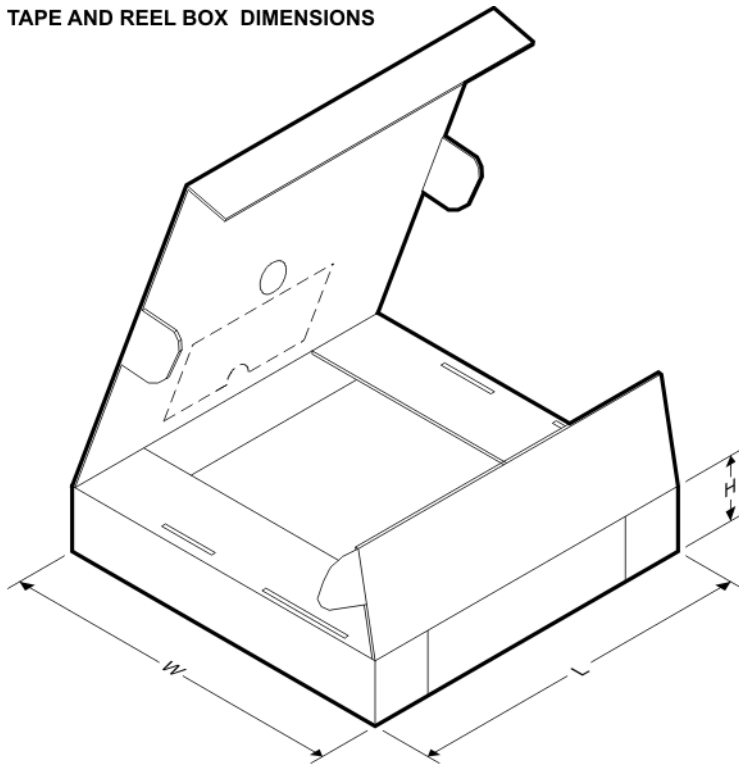


\*All dimensions are nominal

Device	Package Type	Package Drawing	Pins	SPQ	Reel Diameter (mm)	Reel Width W1 (mm)	A0 (mm)	B0 (mm)	K0 (mm)	P1 (mm)	W (mm)	Pin1 Quadrant
MSP430FR5730IPWR	TSSOP	PW	28	2000	330.0	16.4	6.9	10.2	1.8	12.0	16.0	Q1
MSP430FR5730IRGER	VQFN	RGE	24	3000	330.0	12.4	4.25	4.25	1.15	8.0	12.0	Q2
MSP430FR5730IRGET	VQFN	RGE	24	250	180.0	12.4	4.25	4.25	1.15	8.0	12.0	Q2
MSP430FR5731IDAR	TSSOP	DA	38	2000	330.0	24.4	8.6	13.0	1.8	12.0	24.0	Q1
MSP430FR5731IRHAR	VQFN	RHA	40	2500	330.0	16.4	6.3	6.3	1.1	12.0	16.0	Q2
MSP430FR5731IRHAT	VQFN	RHA	40	250	180.0	16.4	6.3	6.3	1.1	12.0	16.0	Q2
MSP430FR5732IPWR	TSSOP	PW	28	2000	330.0	16.4	6.9	10.2	1.8	12.0	16.0	Q1
MSP430FR5732IRGER	VQFN	RGE	24	3000	330.0	12.4	4.25	4.25	1.15	8.0	12.0	Q2
MSP430FR5732IRGET	VQFN	RGE	24	250	180.0	12.4	4.25	4.25	1.15	8.0	12.0	Q2
MSP430FR5733IDAR	TSSOP	DA	38	2000	330.0	24.4	8.6	13.0	1.8	12.0	24.0	Q1
MSP430FR5733IRHAR	VQFN	RHA	40	2500	330.0	16.4	6.3	6.3	1.1	12.0	16.0	Q2
MSP430FR5733IRHAT	VQFN	RHA	40	250	180.0	16.4	6.3	6.3	1.1	12.0	16.0	Q2
MSP430FR5734IPWR	TSSOP	PW	28	2000	330.0	16.4	6.9	10.2	1.8	12.0	16.0	Q1
MSP430FR5734IRGER	VQFN	RGE	24	3000	330.0	12.4	4.25	4.25	1.15	8.0	12.0	Q2
MSP430FR5735IDAR	TSSOP	DA	38	2000	330.0	24.4	8.6	13.0	1.8	12.0	24.0	Q1
MSP430FR5735IRHAR	VQFN	RHA	40	2500	330.0	16.4	6.3	6.3	1.1	12.0	16.0	Q2
MSP430FR5735IRHAT	VQFN	RHA	40	250	180.0	16.4	6.3	6.3	1.1	12.0	16.0	Q2
MSP430FR5736IPWR	TSSOP	PW	28	2000	330.0	16.4	6.9	10.2	1.8	12.0	16.0	Q1



Device	Package Type	Package Drawing	Pins	SPQ	Reel Diameter (mm)	Reel Width W1 (mm)	A0 (mm)	B0 (mm)	K0 (mm)	P1 (mm)	W (mm)	Pin1 Quadrant
MSP430FR5736IRGER	VQFN	RGE	24	3000	330.0	12.4	4.25	4.25	1.15	8.0	12.0	Q2
MSP430FR5736IRGET	VQFN	RGE	24	250	180.0	12.4	4.25	4.25	1.15	8.0	12.0	Q2
MSP430FR5737IDAR	TSSOP	DA	38	2000	330.0	24.4	8.6	13.0	1.8	12.0	24.0	Q1
MSP430FR5737IRHAR	VQFN	RHA	40	2500	330.0	16.4	6.3	6.3	1.1	12.0	16.0	Q2
MSP430FR5737IRHAT	VQFN	RHA	40	250	180.0	16.4	6.3	6.3	1.1	12.0	16.0	Q2
MSP430FR5738IPWR	TSSOP	PW	28	2000	330.0	16.4	6.9	10.2	1.8	12.0	16.0	Q1
MSP430FR5738IRGER	VQFN	RGE	24	3000	330.0	12.4	4.25	4.25	1.15	8.0	12.0	Q2
MSP430FR5738IRGET	VQFN	RGE	24	250	180.0	12.4	4.25	4.25	1.15	8.0	12.0	Q2
MSP430FR5738IYQDR	DSBGA	YQD	24	3000	180.0	8.4	2.13	2.33	0.69	4.0	8.0	Q1
MSP430FR5738IYQDT	DSBGA	YQD	24	250	180.0	8.4	2.13	2.33	0.69	4.0	8.0	Q1
MSP430FR5739IDAR	TSSOP	DA	38	2000	330.0	24.4	8.6	13.0	1.8	12.0	24.0	Q1
MSP430FR5739IRHAR	VQFN	RHA	40	2500	330.0	16.4	6.3	6.3	1.1	12.0	16.0	Q2
MSP430FR5739IRHAT	VQFN	RHA	40	250	180.0	16.4	6.3	6.3	1.1	12.0	16.0	Q2

**TAPE AND REEL BOX DIMENSIONS**


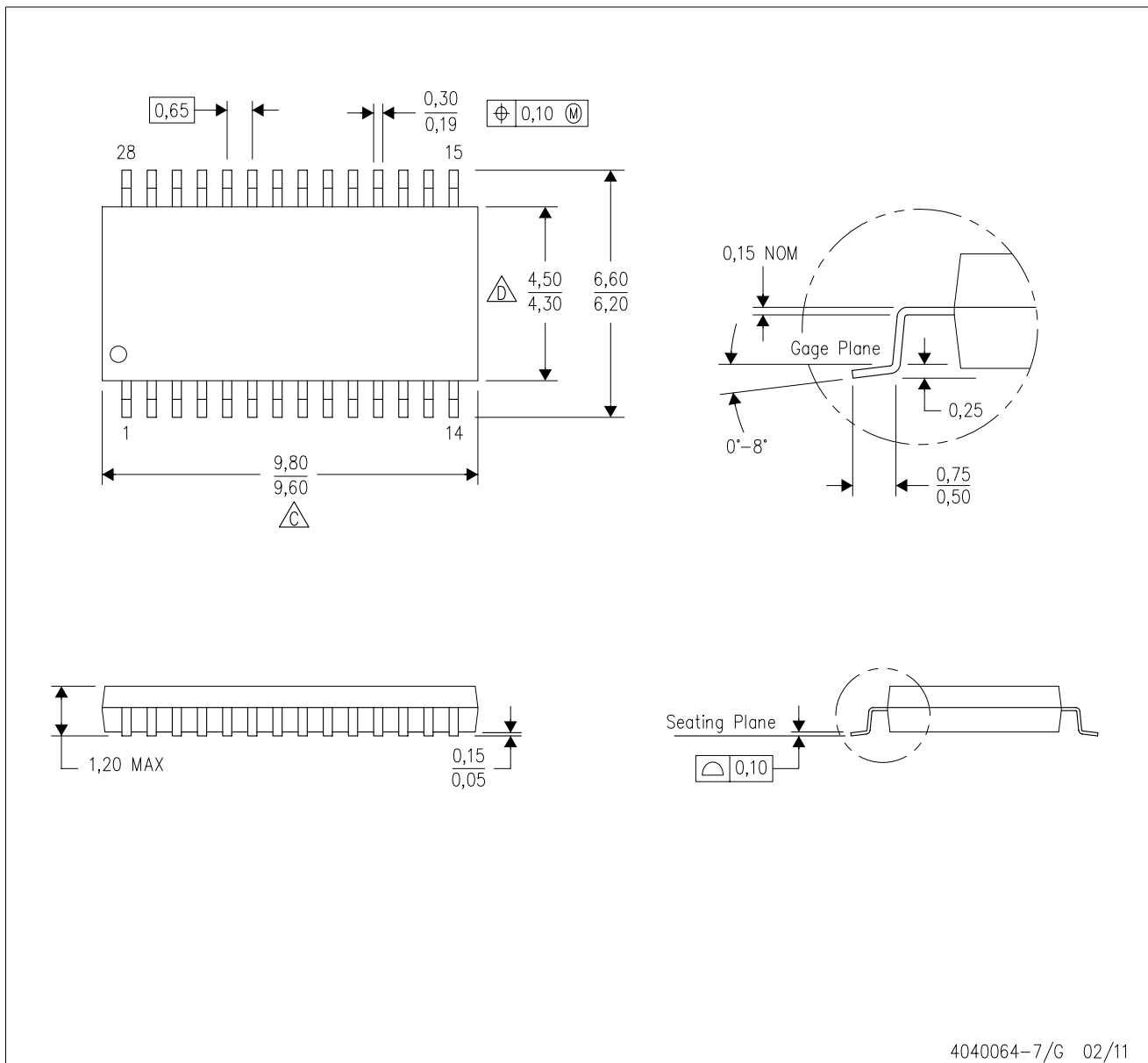
\*All dimensions are nominal

Device	Package Type	Package Drawing	Pins	SPQ	Length (mm)	Width (mm)	Height (mm)
MSP430FR5730IPWR	TSSOP	PW	28	2000	367.0	367.0	38.0
MSP430FR5730IRGER	VQFN	RGE	24	3000	367.0	367.0	35.0
MSP430FR5730IRGET	VQFN	RGE	24	250	210.0	185.0	35.0
MSP430FR5731IDAR	TSSOP	DA	38	2000	367.0	367.0	45.0

Device	Package Type	Package Drawing	Pins	SPQ	Length (mm)	Width (mm)	Height (mm)
MSP430FR5731IRHAR	VQFN	RHA	40	2500	367.0	367.0	38.0
MSP430FR5731IRHAT	VQFN	RHA	40	250	210.0	185.0	35.0
MSP430FR5732IPWR	TSSOP	PW	28	2000	367.0	367.0	38.0
MSP430FR5732IRGER	VQFN	RGE	24	3000	367.0	367.0	35.0
MSP430FR5732IRGET	VQFN	RGE	24	250	210.0	185.0	35.0
MSP430FR5733IDAR	TSSOP	DA	38	2000	367.0	367.0	45.0
MSP430FR5733IRHAR	VQFN	RHA	40	2500	367.0	367.0	38.0
MSP430FR5733IRHAT	VQFN	RHA	40	250	210.0	185.0	35.0
MSP430FR5734IPWR	TSSOP	PW	28	2000	367.0	367.0	38.0
MSP430FR5734IRGER	VQFN	RGE	24	3000	367.0	367.0	35.0
MSP430FR5735IDAR	TSSOP	DA	38	2000	367.0	367.0	45.0
MSP430FR5735IRHAR	VQFN	RHA	40	2500	367.0	367.0	38.0
MSP430FR5735IRHAT	VQFN	RHA	40	250	210.0	185.0	35.0
MSP430FR5736IPWR	TSSOP	PW	28	2000	367.0	367.0	38.0
MSP430FR5736IRGER	VQFN	RGE	24	3000	367.0	367.0	35.0
MSP430FR5736IRGET	VQFN	RGE	24	250	210.0	185.0	35.0
MSP430FR5737IDAR	TSSOP	DA	38	2000	367.0	367.0	45.0
MSP430FR5737IRHAR	VQFN	RHA	40	2500	367.0	367.0	38.0
MSP430FR5737IRHAT	VQFN	RHA	40	250	210.0	185.0	35.0
MSP430FR5738IPWR	TSSOP	PW	28	2000	367.0	367.0	38.0
MSP430FR5738IRGER	VQFN	RGE	24	3000	367.0	367.0	35.0
MSP430FR5738IRGET	VQFN	RGE	24	250	210.0	185.0	35.0
MSP430FR5738IYQDR	DSBGA	YQD	24	3000	182.0	182.0	20.0
MSP430FR5738IYQDT	DSBGA	YQD	24	250	182.0	182.0	20.0
MSP430FR5739IDAR	TSSOP	DA	38	2000	367.0	367.0	45.0
MSP430FR5739IRHAR	VQFN	RHA	40	2500	367.0	367.0	38.0
MSP430FR5739IRHAT	VQFN	RHA	40	250	210.0	185.0	35.0

PW (R-PDSO-G28)

PLASTIC SMALL OUTLINE

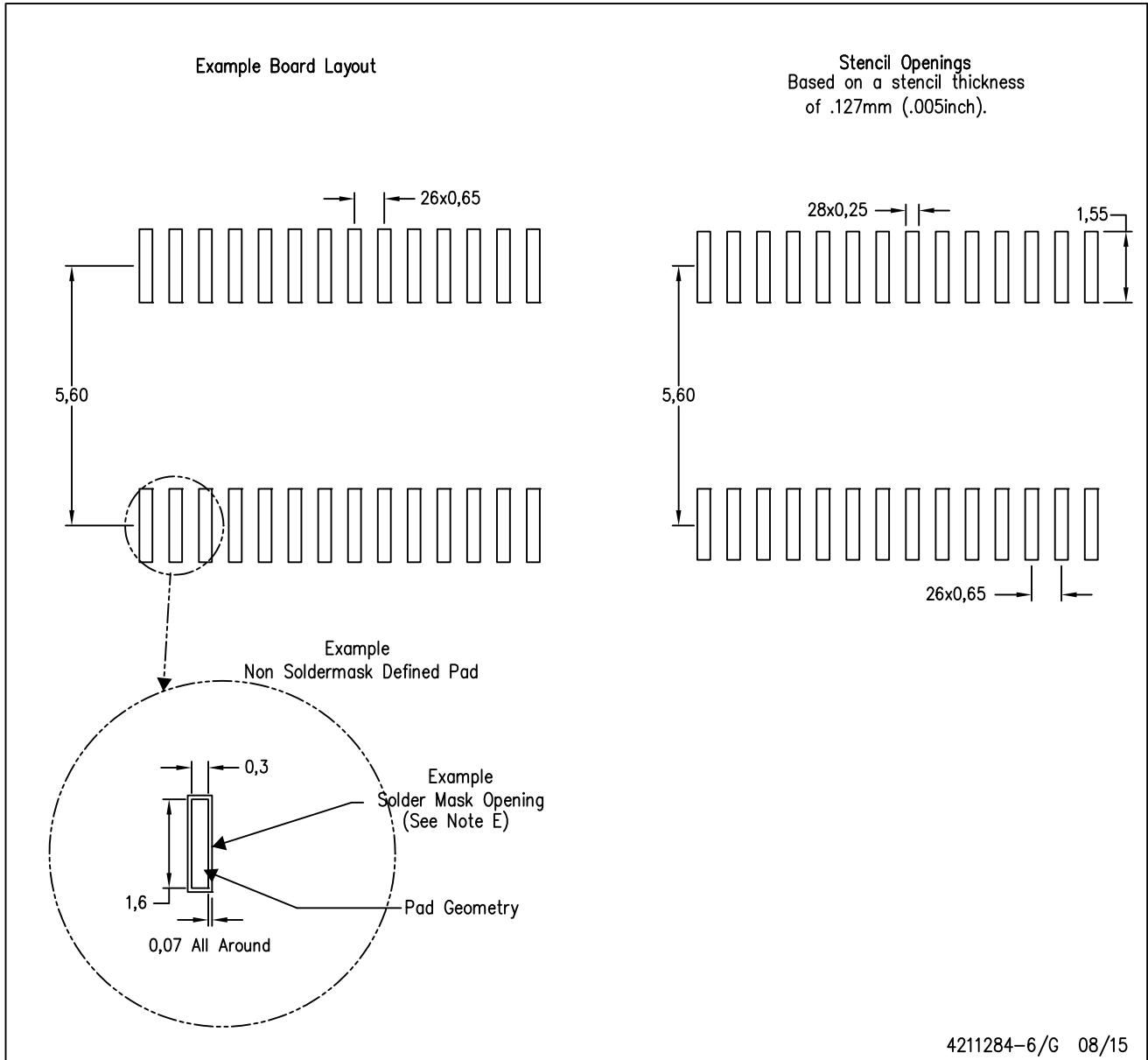


4040064-7/G 02/11

- NOTES:
- A. All linear dimensions are in millimeters. Dimensioning and tolerancing per ASME Y14.5M-1994.
  - B. This drawing is subject to change without notice.
  - C. Body length does not include mold flash, protrusions, or gate burrs. Mold flash, protrusions, or gate burrs shall not exceed 0,15 each side.
  - D. Body width does not include interlead flash. Interlead flash shall not exceed 0,25 each side.
  - E. Falls within JEDEC MO-153

PW (R-PDSO-G28)

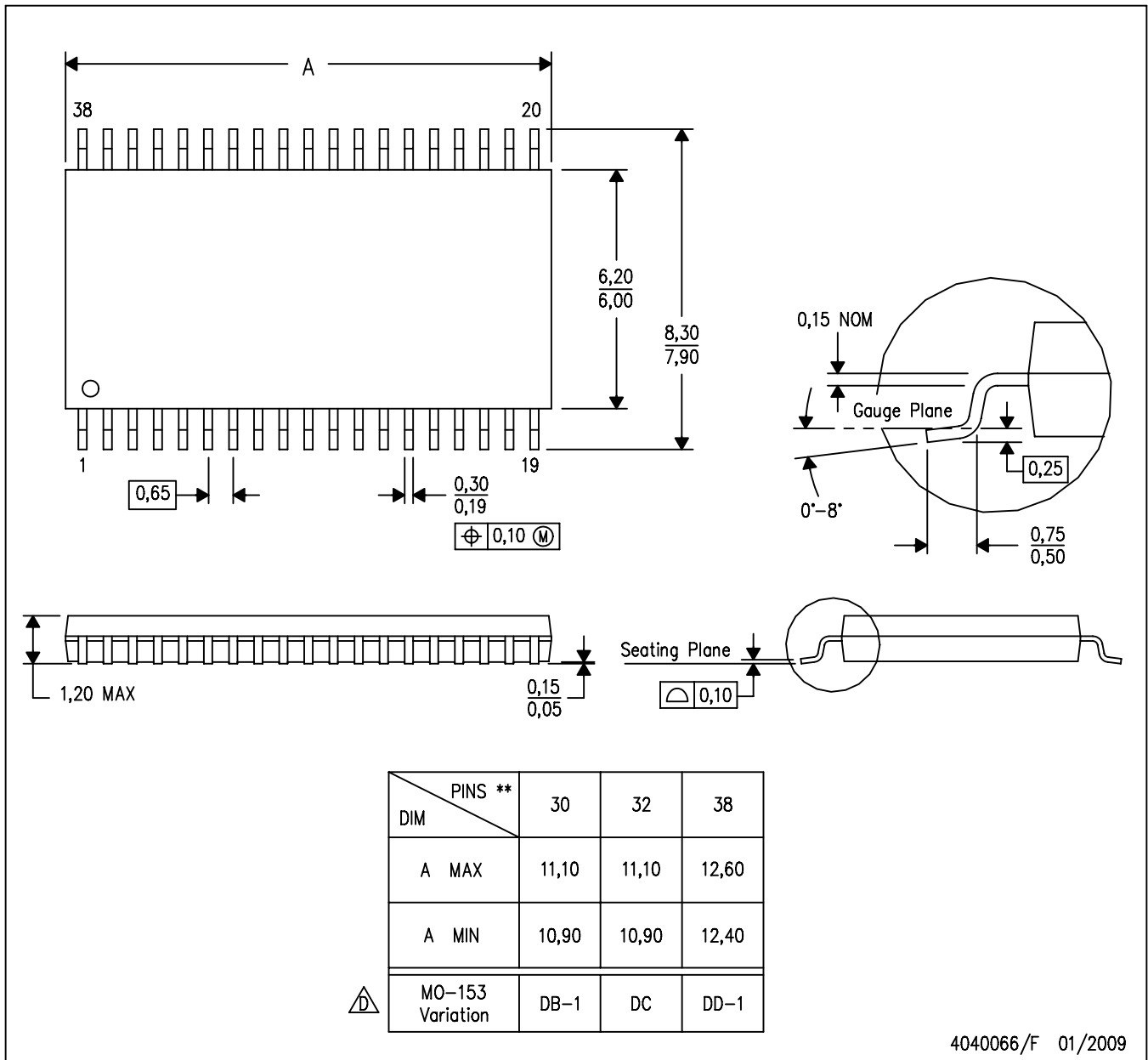
PLASTIC SMALL OUTLINE



- NOTES:
- All linear dimensions are in millimeters.
  - This drawing is subject to change without notice.
  - Publication IPC-7351 is recommended for alternate design.
  - Laser cutting apertures with trapezoidal walls and also rounding corners will offer better paste release. Customers should contact their board assembly site for stencil design recommendations. Refer to IPC-7525 for other stencil recommendations.
  - Customers should contact their board fabrication site for solder mask tolerances between and around signal pads.

DA (R-PDSO-G\*\*)   
 38 PIN SHOWN

PLASTIC SMALL-OUTLINE PACKAGE

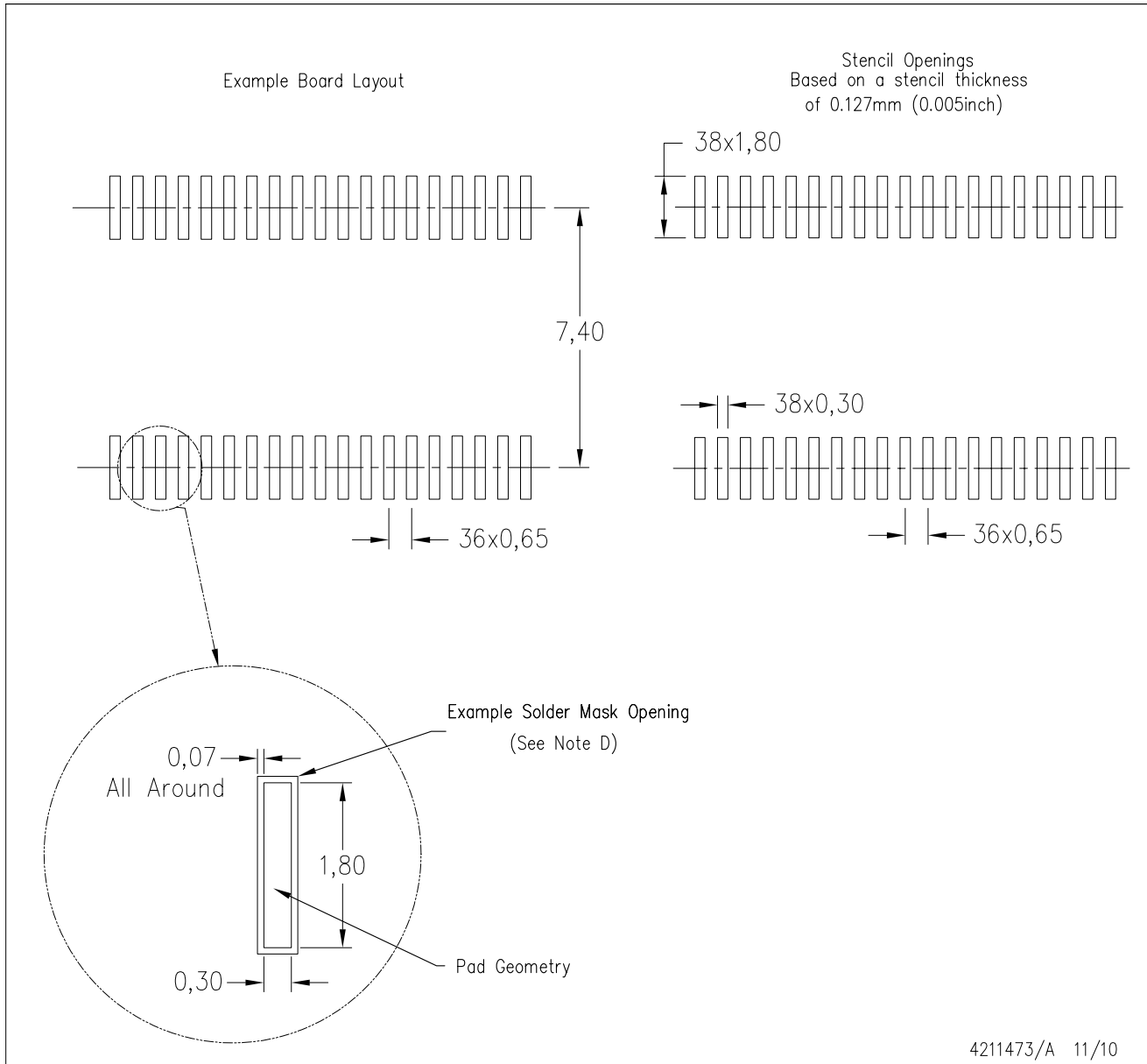


4040066/F 01/2009

- NOTES:
- A. All linear dimensions are in millimeters.
  - B. This drawing is subject to change without notice.
  - C. Body dimensions do not include mold flash or protrusion. Mold flash and protrusion shall not exceed 0.15 per side.
  - Falls within JEDEC MO-153, except 30 pin body length.

DA (R-PDSO-G38)

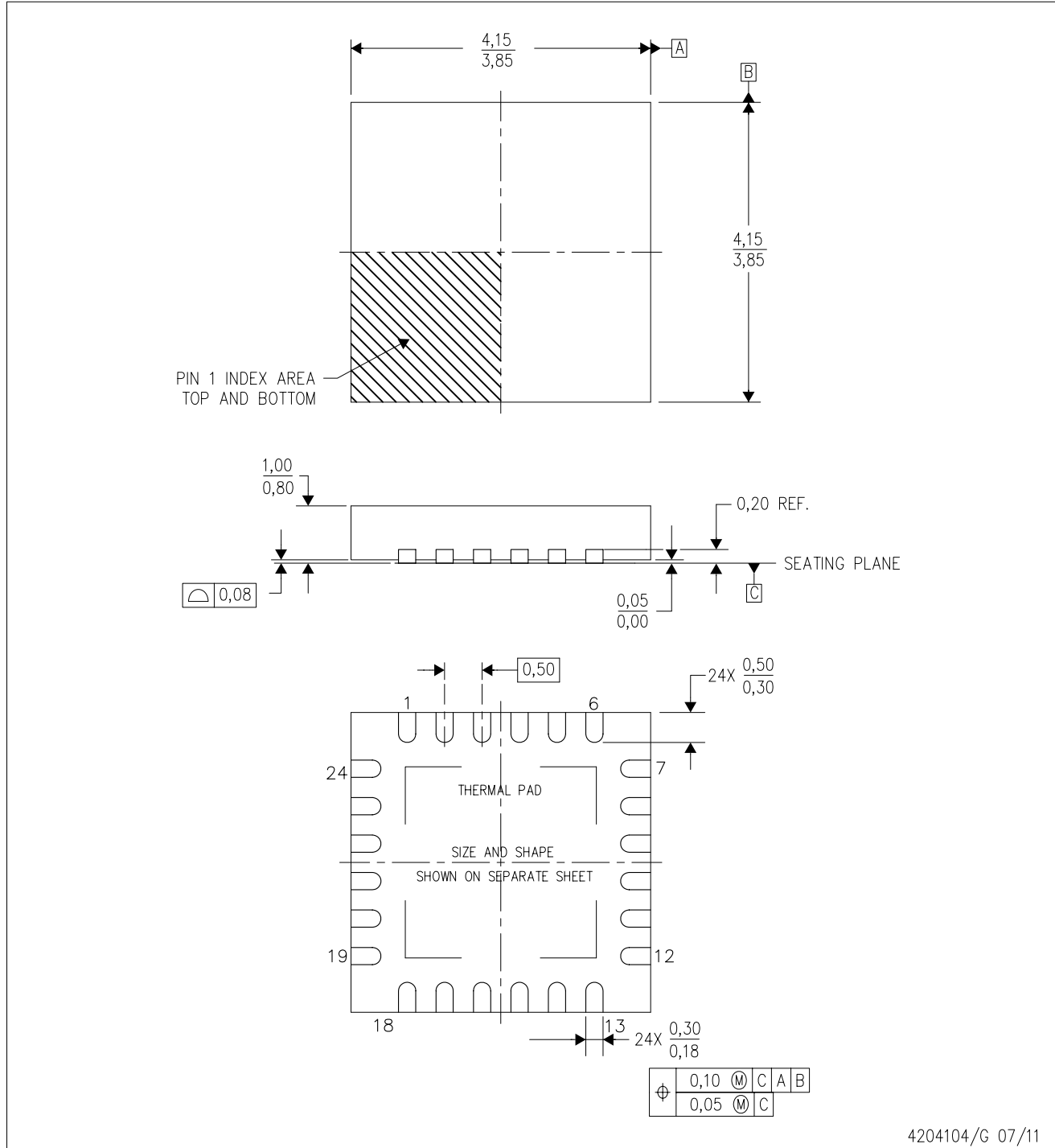
PLASTIC SMALL OUTLINE



- NOTES:
- A. All linear dimensions are in millimeters.
  - B. This drawing is subject to change without notice.
  - C. Laser cutting apertures with trapezoidal walls and also rounding corners will offer better paste release. Customers should contact their board assembly site for stencil design recommendations. Example stencil design based on a 50% volumetric metal load solder paste. Refer to IPC-7525 for other stencil recommendations.
  - D. Contact the board fabrication site for recommended soldermask tolerances.

RGE (S-PVQFN-N24)

PLASTIC QUAD FLATPACK NO-LEAD



4204104/G 07/11

- NOTES:
- All linear dimensions are in millimeters. Dimensioning and tolerancing per ASME Y14.5M-1994.
  - This drawing is subject to change without notice.
  - Quad Flatpack, No-Leads (QFN) package configuration.
  - The package thermal pad must be soldered to the board for thermal and mechanical performance.
  - See the additional figure in the Product Data Sheet for details regarding the exposed thermal pad features and dimensions.
  - Falls within JEDEC MO-220.

# THERMAL PAD MECHANICAL DATA

RGE (S-PVQFN-N24)

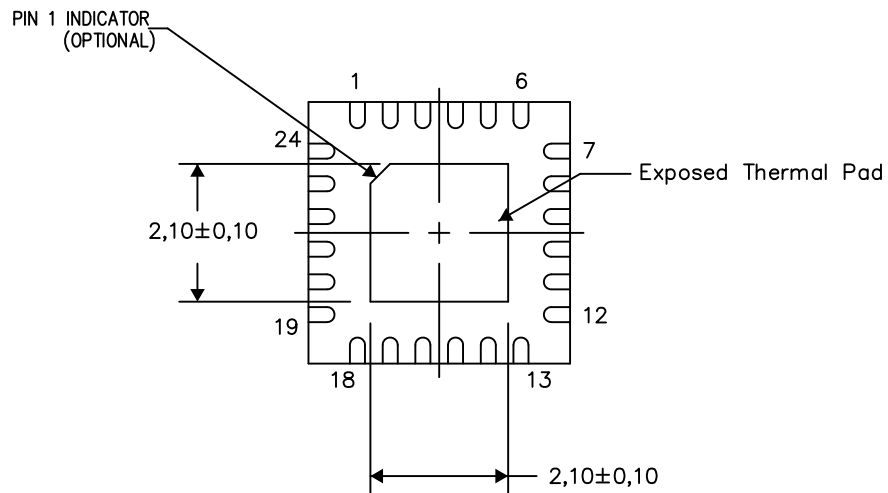
PLASTIC QUAD FLATPACK NO-LEAD

## THERMAL INFORMATION

This package incorporates an exposed thermal pad that is designed to be attached directly to an external heatsink. The thermal pad must be soldered directly to the printed circuit board (PCB). After soldering, the PCB can be used as a heatsink. In addition, through the use of thermal vias, the thermal pad can be attached directly to the appropriate copper plane shown in the electrical schematic for the device, or alternatively, can be attached to a special heatsink structure designed into the PCB. This design optimizes the heat transfer from the integrated circuit (IC).

For information on the Quad Flatpack No-Lead (QFN) package and its advantages, refer to Application Report, QFN/SON PCB Attachment, Texas Instruments Literature No. SLUA271. This document is available at [www.ti.com](http://www.ti.com).

The exposed thermal pad dimensions for this package are shown in the following illustration.



Bottom View

Exposed Thermal Pad Dimensions

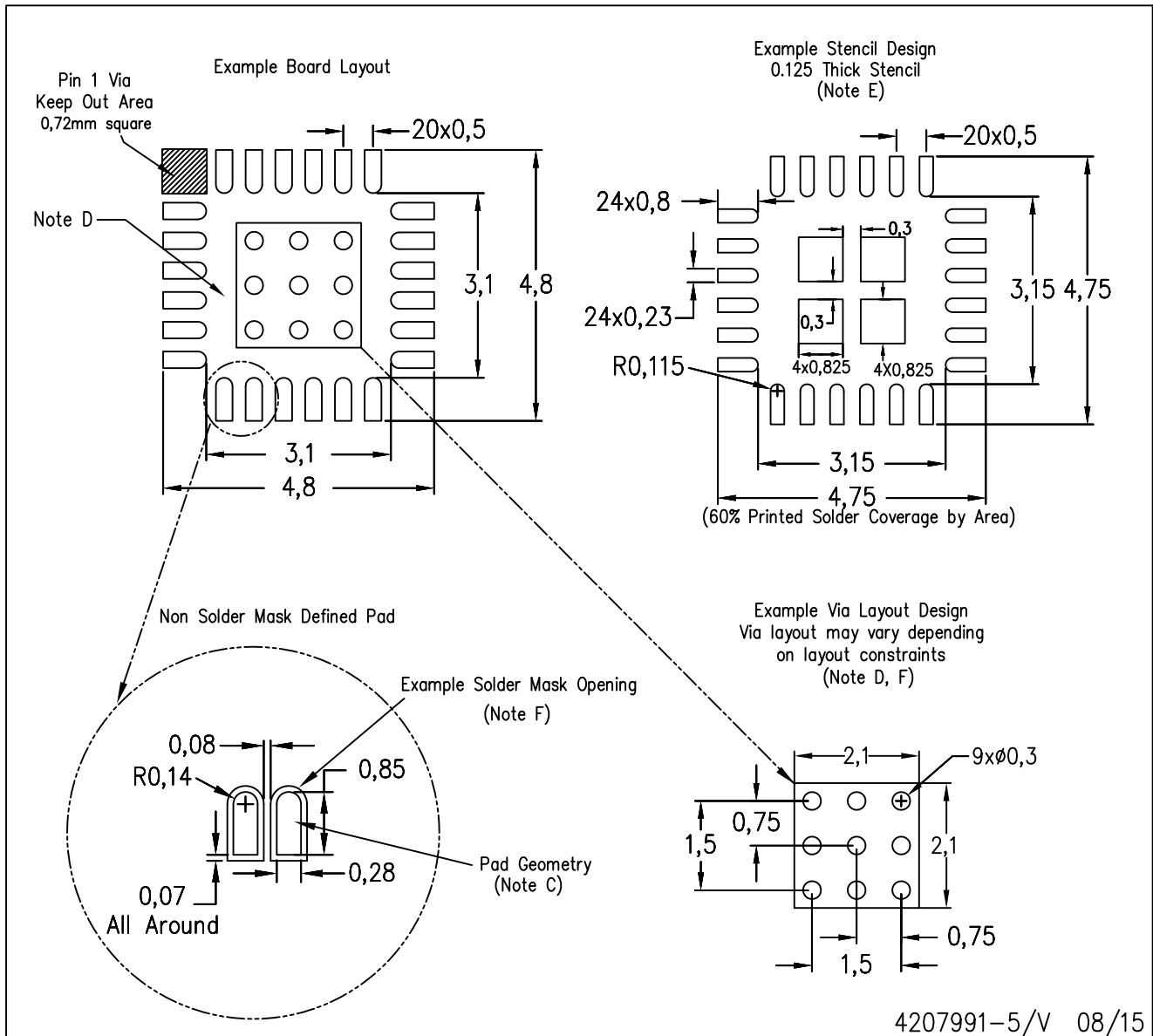
4206344-7/AK 08/15

NOTES: A. All linear dimensions are in millimeters



RGE (S-PVQFN-N24)

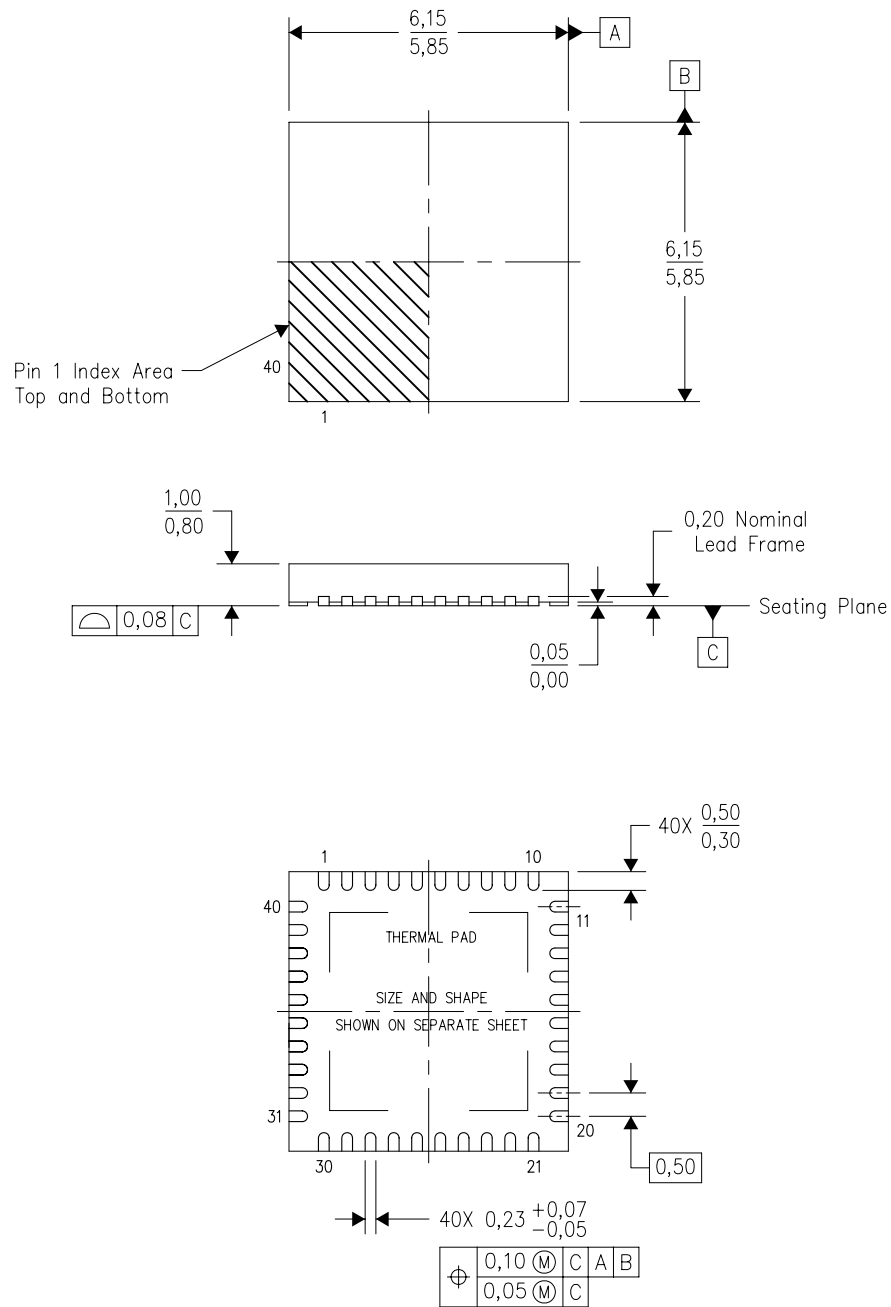
PLASTIC QUAD FLATPACK NO-LEAD



- NOTES:
- All linear dimensions are in millimeters.
  - This drawing is subject to change without notice.
  - Publication IPC-7351 is recommended for alternate designs.
  - This package is designed to be soldered to a thermal pad on the board. Refer to Application Note, Quad Flat-Pack Packages, Texas Instruments Literature No. SLUA271, and also the Product Data Sheets for specific thermal information, via requirements, and recommended board layout. These documents are available at [www.ti.com](http://www.ti.com) <<http://www.ti.com>>.
  - Laser cutting apertures with trapezoidal walls and also rounding corners will offer better paste release. Customers should contact their board assembly site for stencil design recommendations. Refer to IPC 7525 for stencil design considerations.
  - Customers should contact their board fabrication site for recommended solder mask tolerances and via tenting recommendations for vias placed in the thermal pad.

RHA (S-PVQFN-N40)

PLASTIC QUAD FLATPACK NO-LEAD



Bottom View

4204276/E 06/11

- NOTES:
- All linear dimensions are in millimeters. Dimensioning and tolerancing per ASME Y14.5M-1994.
  - This drawing is subject to change without notice.
  - QFN (Quad Flatpack No-Lead) Package configuration.
  - The package thermal pad must be soldered to the board for thermal and mechanical performance.
  - See the additional figure in the Product Data Sheet for details regarding the exposed thermal pad features and dimensions.
  - Package complies to JEDEC MO-220 variation VJJD-2.

# THERMAL PAD MECHANICAL DATA

RHA (S-PVQFN-N40)

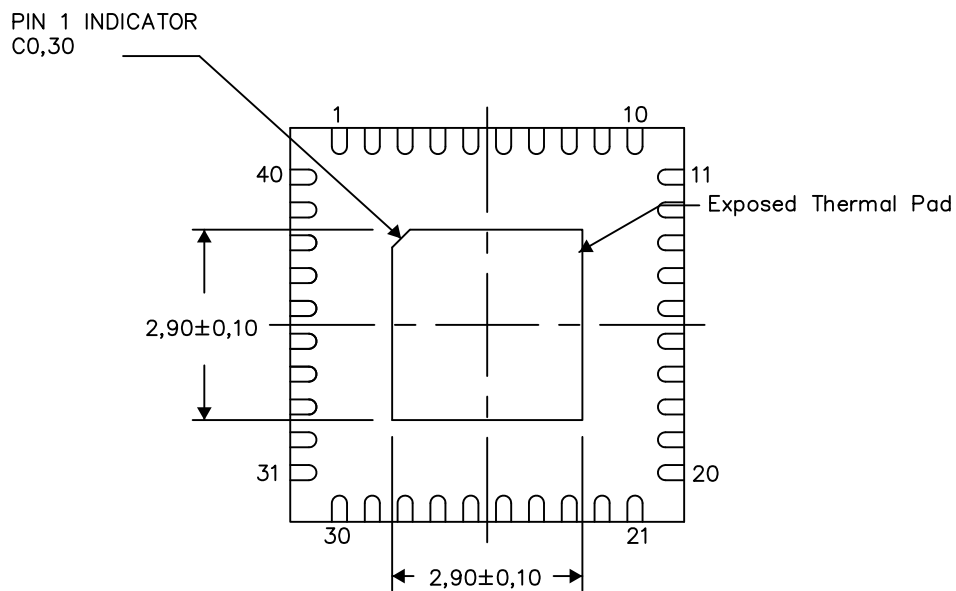
PLASTIC QUAD FLATPACK NO-LEAD

## THERMAL INFORMATION

This package incorporates an exposed thermal pad that is designed to be attached directly to an external heatsink. The thermal pad must be soldered directly to the printed circuit board (PCB). After soldering, the PCB can be used as a heatsink. In addition, through the use of thermal vias, the thermal pad can be attached directly to the appropriate copper plane shown in the electrical schematic for the device, or alternatively, can be attached to a special heatsink structure designed into the PCB. This design optimizes the heat transfer from the integrated circuit (IC).

For information on the Quad Flatpack No-Lead (QFN) package and its advantages, refer to Application Report, QFN/SON PCB Attachment, Texas Instruments Literature No. SLUA271. This document is available at [www.ti.com](http://www.ti.com).

The exposed thermal pad dimensions for this package are shown in the following illustration.



Bottom View

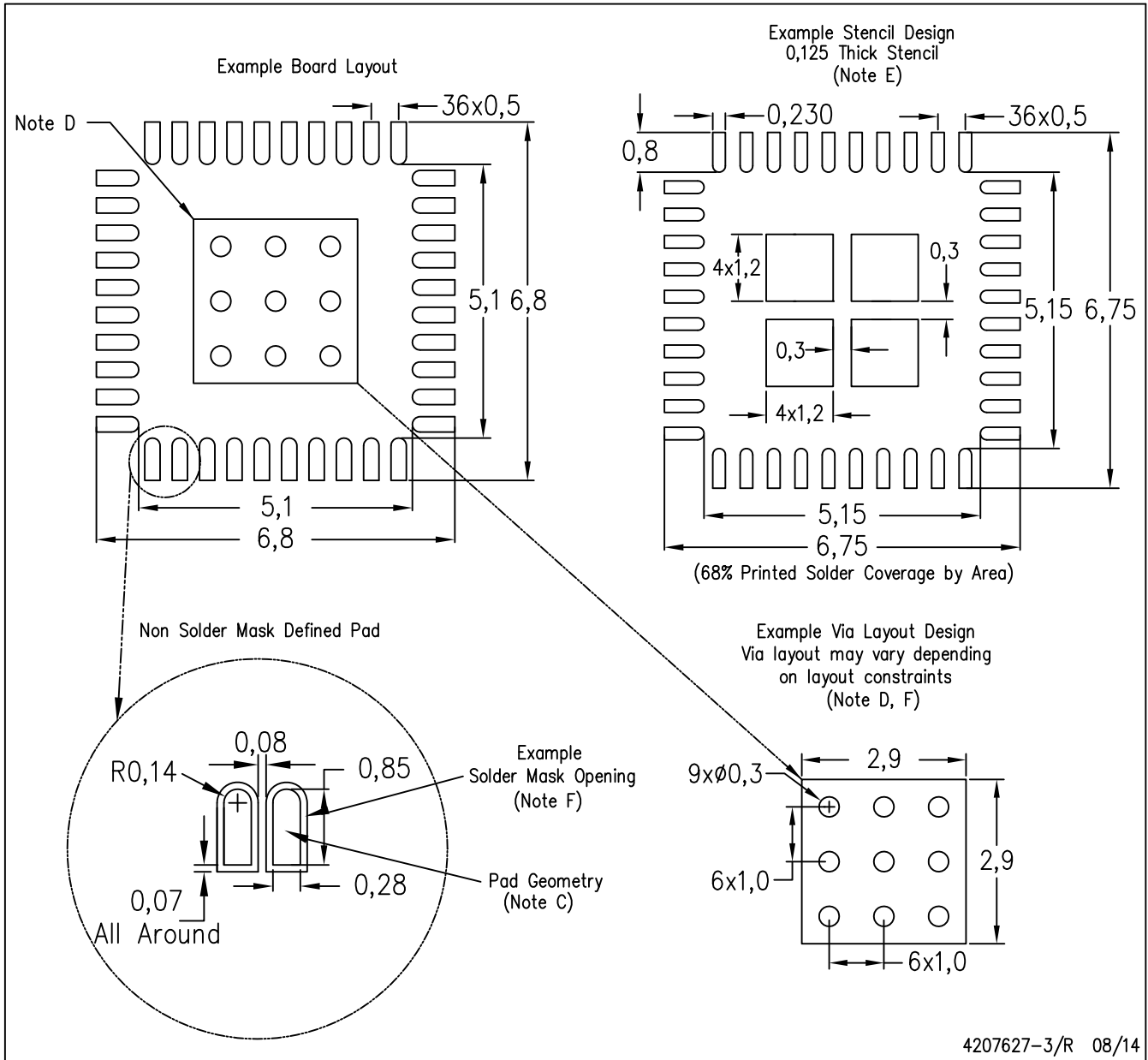
Exposed Thermal Pad Dimensions

4206355-3/X 08/14

NOTES: A. All linear dimensions are in millimeters

RHA (S-PVQFN-N40)

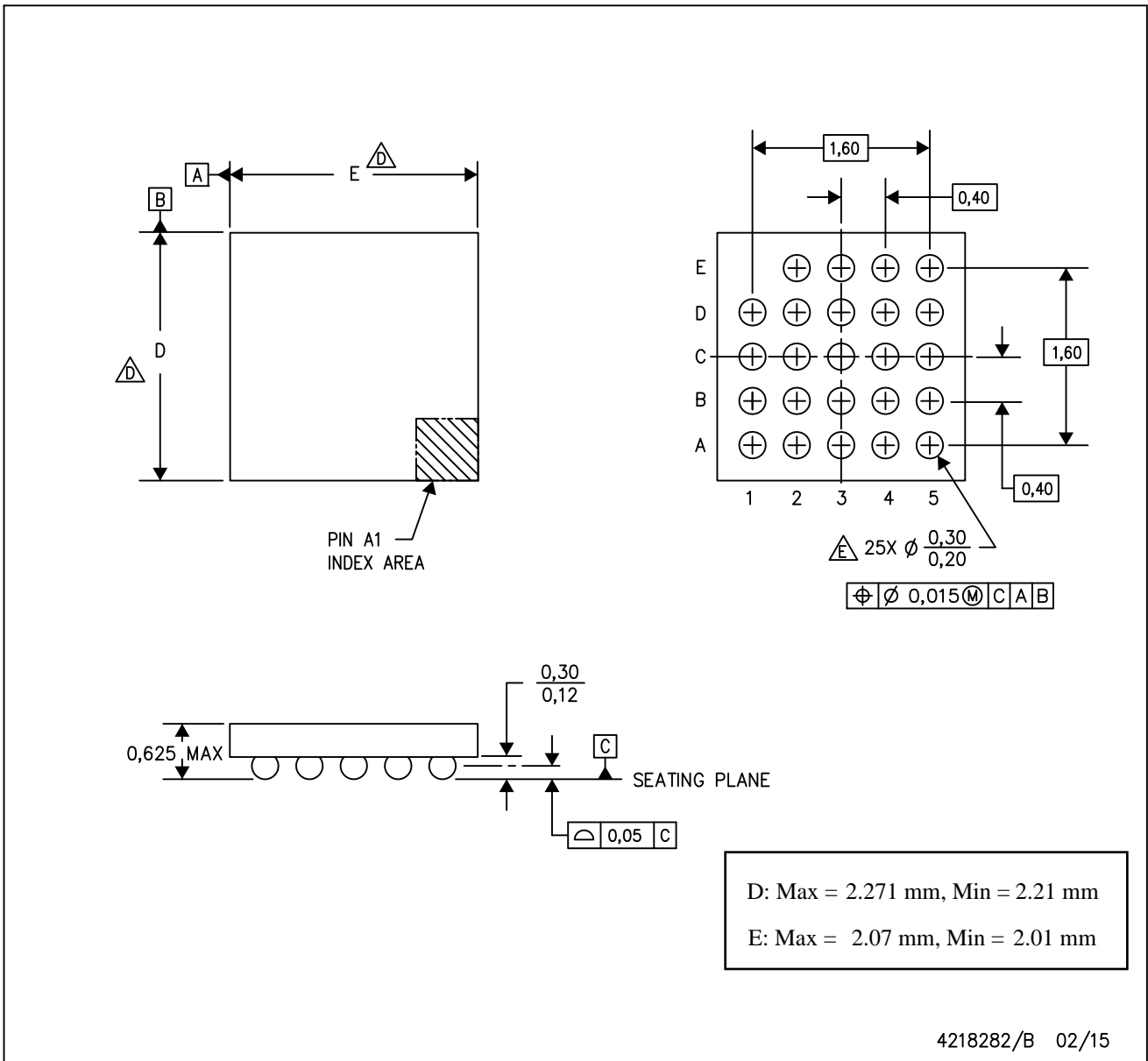
PLASTIC QUAD FLATPACK NO-LEAD



- NOTES:
- All linear dimensions are in millimeters.
  - This drawing is subject to change without notice.
  - Publication IPC-7351 is recommended for alternate designs.
  - This package is designed to be soldered to a thermal pad on the board. Refer to Application Note, Quad Flat-Pack Packages, Texas Instruments Literature No. SLUA271, and also the Product Data Sheets for specific thermal information, via requirements, and recommended board layout. These documents are available at [www.ti.com](http://www.ti.com) <<http://www.ti.com>>.
  - Laser cutting apertures with trapezoidal walls and also rounding corners will offer better paste release. Customers should contact their board assembly site for stencil design recommendations. Refer to IPC 7525 for stencil design considerations.
  - Customers should contact their board fabrication site for recommended solder mask tolerances and via tenting recommendations for vias placed in the thermal pad.

YQD (S-XBGA-N24)

DIE-SIZE BALL GRID ARRAY



- NOTES:
- A. All linear dimensions are in millimeters. Dimensioning and tolerancing per ASME Y14.5M-1994.
  - B. This drawing is subject to change without notice.
  - C. NanoFree™ package configuration.
  - $\triangle$  The package size (Dimension D and E) of a particular device is specified in the device Product Data Sheet version of this drawing, in case it cannot be found in the product data sheet please contact a local TI representative.
  - E. Reference Product Data Sheet for array population.  
5 x 5 matrix pattern is shown for illustration only.
  - F. This package contains Pb-free balls.

## IMPORTANT NOTICE

Texas Instruments Incorporated and its subsidiaries (TI) reserve the right to make corrections, enhancements, improvements and other changes to its semiconductor products and services per JESD46, latest issue, and to discontinue any product or service per JESD48, latest issue. Buyers should obtain the latest relevant information before placing orders and should verify that such information is current and complete. All semiconductor products (also referred to herein as "components") are sold subject to TI's terms and conditions of sale supplied at the time of order acknowledgment.

TI warrants performance of its components to the specifications applicable at the time of sale, in accordance with the warranty in TI's terms and conditions of sale of semiconductor products. Testing and other quality control techniques are used to the extent TI deems necessary to support this warranty. Except where mandated by applicable law, testing of all parameters of each component is not necessarily performed.

TI assumes no liability for applications assistance or the design of Buyers' products. Buyers are responsible for their products and applications using TI components. To minimize the risks associated with Buyers' products and applications, Buyers should provide adequate design and operating safeguards.

TI does not warrant or represent that any license, either express or implied, is granted under any patent right, copyright, mask work right, or other intellectual property right relating to any combination, machine, or process in which TI components or services are used. Information published by TI regarding third-party products or services does not constitute a license to use such products or services or a warranty or endorsement thereof. Use of such information may require a license from a third party under the patents or other intellectual property of the third party, or a license from TI under the patents or other intellectual property of TI.

Reproduction of significant portions of TI information in TI data books or data sheets is permissible only if reproduction is without alteration and is accompanied by all associated warranties, conditions, limitations, and notices. TI is not responsible or liable for such altered documentation. Information of third parties may be subject to additional restrictions.

Resale of TI components or services with statements different from or beyond the parameters stated by TI for that component or service voids all express and any implied warranties for the associated TI component or service and is an unfair and deceptive business practice. TI is not responsible or liable for any such statements.

Buyer acknowledges and agrees that it is solely responsible for compliance with all legal, regulatory and safety-related requirements concerning its products, and any use of TI components in its applications, notwithstanding any applications-related information or support that may be provided by TI. Buyer represents and agrees that it has all the necessary expertise to create and implement safeguards which anticipate dangerous consequences of failures, monitor failures and their consequences, lessen the likelihood of failures that might cause harm and take appropriate remedial actions. Buyer will fully indemnify TI and its representatives against any damages arising out of the use of any TI components in safety-critical applications.

In some cases, TI components may be promoted specifically to facilitate safety-related applications. With such components, TI's goal is to help enable customers to design and create their own end-product solutions that meet applicable functional safety standards and requirements. Nonetheless, such components are subject to these terms.

No TI components are authorized for use in FDA Class III (or similar life-critical medical equipment) unless authorized officers of the parties have executed a special agreement specifically governing such use.

Only those TI components which TI has specifically designated as military grade or "enhanced plastic" are designed and intended for use in military/aerospace applications or environments. Buyer acknowledges and agrees that any military or aerospace use of TI components which have **not** been so designated is solely at the Buyer's risk, and that Buyer is solely responsible for compliance with all legal and regulatory requirements in connection with such use.

TI has specifically designated certain components as meeting ISO/TS16949 requirements, mainly for automotive use. In any case of use of non-designated products, TI will not be responsible for any failure to meet ISO/TS16949.

### Products

Audio	<a href="http://www.ti.com/audio">www.ti.com/audio</a>
Amplifiers	<a href="http://amplifier.ti.com">amplifier.ti.com</a>
Data Converters	<a href="http://dataconverter.ti.com">dataconverter.ti.com</a>
DLP® Products	<a href="http://www.dlp.com">www.dlp.com</a>
DSP	<a href="http://dsp.ti.com">dsp.ti.com</a>
Clocks and Timers	<a href="http://www.ti.com/clocks">www.ti.com/clocks</a>
Interface	<a href="http://interface.ti.com">interface.ti.com</a>
Logic	<a href="http://logic.ti.com">logic.ti.com</a>
Power Mgmt	<a href="http://power.ti.com">power.ti.com</a>
Microcontrollers	<a href="http://microcontroller.ti.com">microcontroller.ti.com</a>
RFID	<a href="http://www.ti-rfid.com">www.ti-rfid.com</a>
OMAP Applications Processors	<a href="http://www.ti.com/omap">www.ti.com/omap</a>
Wireless Connectivity	<a href="http://www.ti.com/wirelessconnectivity">www.ti.com/wirelessconnectivity</a>

### Applications

Automotive and Transportation	<a href="http://www.ti.com/automotive">www.ti.com/automotive</a>
Communications and Telecom	<a href="http://www.ti.com/communications">www.ti.com/communications</a>
Computers and Peripherals	<a href="http://www.ti.com/computers">www.ti.com/computers</a>
Consumer Electronics	<a href="http://www.ti.com/consumer-apps">www.ti.com/consumer-apps</a>
Energy and Lighting	<a href="http://www.ti.com/energy">www.ti.com/energy</a>
Industrial	<a href="http://www.ti.com/industrial">www.ti.com/industrial</a>
Medical	<a href="http://www.ti.com/medical">www.ti.com/medical</a>
Security	<a href="http://www.ti.com/security">www.ti.com/security</a>
Space, Avionics and Defense	<a href="http://www.ti.com/space-avionics-defense">www.ti.com/space-avionics-defense</a>
Video and Imaging	<a href="http://www.ti.com/video">www.ti.com/video</a>

### TI E2E Community

[e2e.ti.com](http://e2e.ti.com)