

Model P08x
 8mm Square
 Rotary Potentiometer
 Dust Proof
 Conductive Plastic Element
 100,000 Cycle Life
 Rotary Switch Option
 Detent Option
 Multiple Gangs available
 RoHS Compliant



MODEL STYLES

Side Adjust, Potentiometer Module (Up to 4 gangs)	P08xN
Side Adjust, Potentiometer with Rotary Switch Module (Up to 4 gangs)	P08xS
Side Adjust, Potentiometer with Dual Shaft Module (2 or 4 gang)	P08xD
Side Adjust, Potentiometer with Dual Shaft and Rotary Switch Module (2 or 4 gang)	P08xE

ELECTRICAL¹

Resistance Range, Ohms	500 -1M (for "B" taper) 1K-1M (for other tapers)	
Standard Resistance Tolerance	± 20%	
Residual Resistance, Maximum	50 ohms	
Input Voltage, Maximum	50 Vac	
Power rating, Watts	0.05W- B taper, 0.025W- others	
Dielectric Strength	300Vac, sea level	
Insulation Resistance, Minimum	100 Megohms	
Gang Error (Multi-ganged), Maximum	+/-3 dB (-40 dB to 0dB)	
Actual Electrical Travel, Nominal	With Switch = 230°	Without Switch =270°
Switch Contact Resistance, Maximum	100 milliohms max.	
Switch Power Rated	3.0A at 16Vdc	

MECHANICAL

Total Mechanical Travel	300°± 10°	
Static Stop Strength	42 oz-in	
Rotational Torque, Maximum	0.7 oz-in (0.2 oz-in each additional gang)	
Switch Detent,	1.0 oz-in	
Switch Travel angle	50°	

¹ Specifications subject to change without notice.

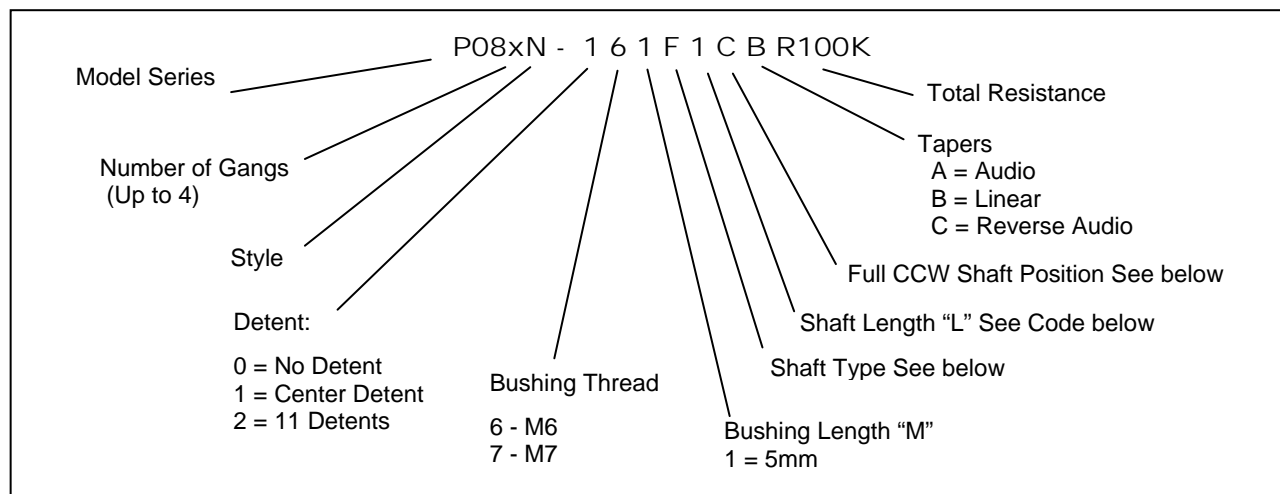
Model P08x

ENVIRONMENTAL

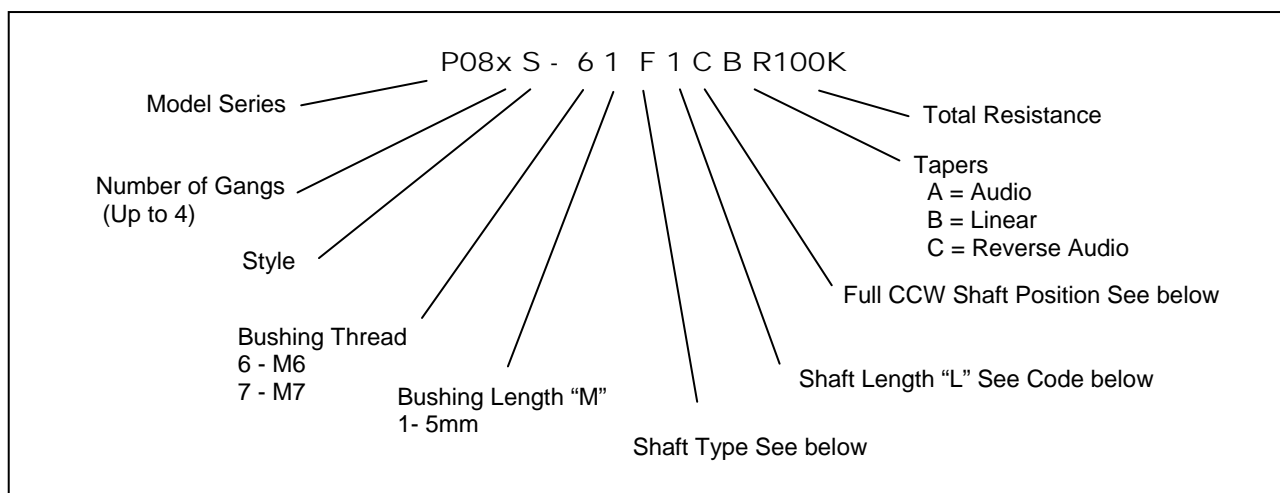
Operating Temperature Range	-55°C to +125°C	
Rotational Life	Switch = 30,000 cycles	Potentiometer = 100,000 cycles
IP Rating	Dust Proof = IP50	

ORDERING INFORMATION²

P08xN - POTENTIOMETER MODULE



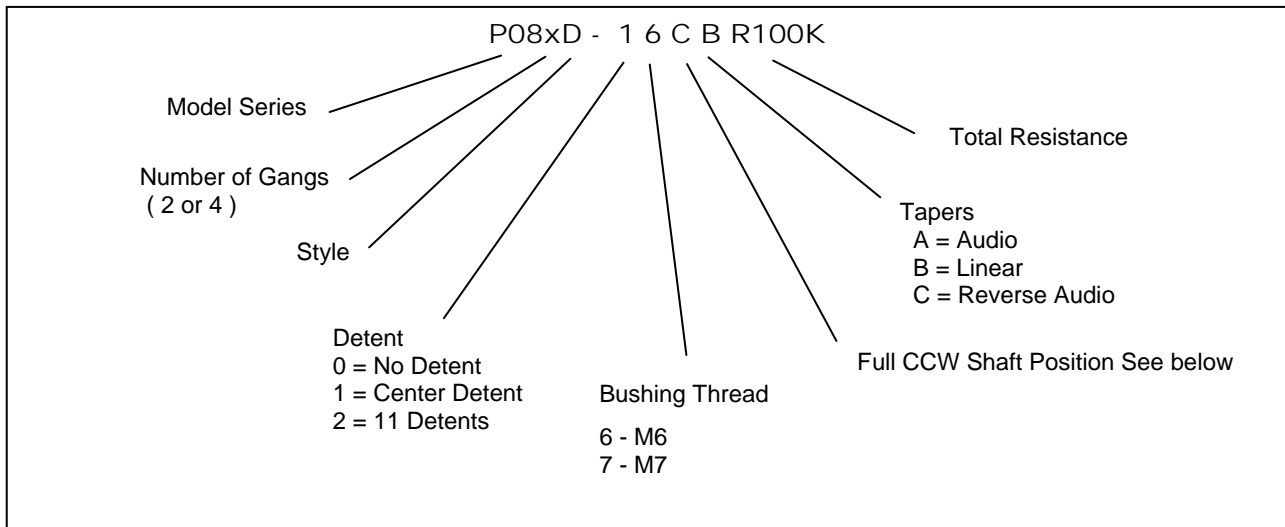
P08xS - POTENTIOMETER WITH ROTARY SWITCH MODULE



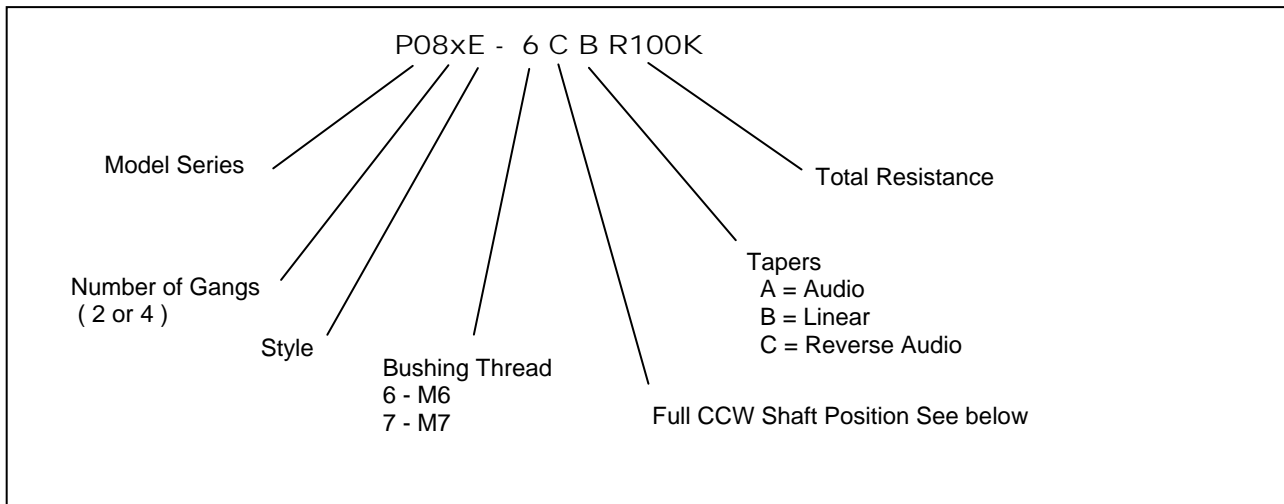
² Contact our customer service for custom designs and features.

Model P08x

P08xD - POTENTIOMETER WITH DUAL SHAFT MODULE

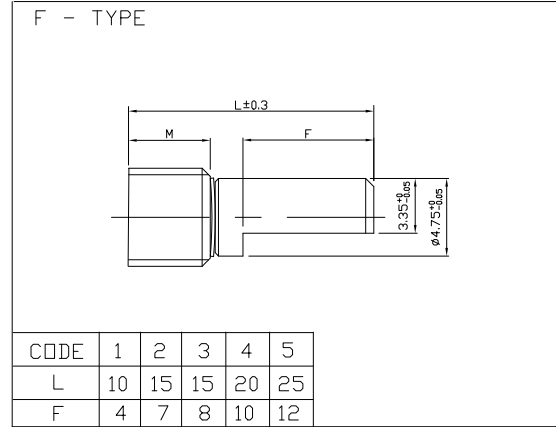
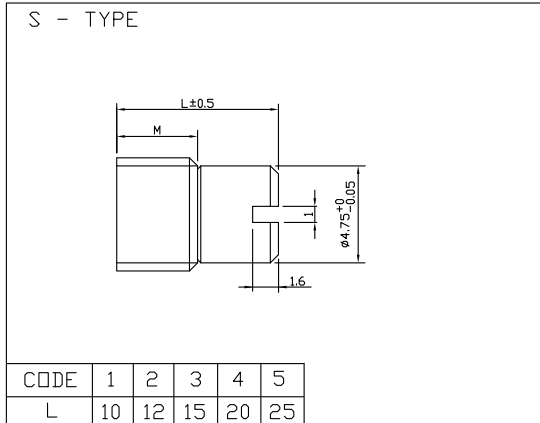


P08xE - POTENTIOMETER WITH DUAL SHAFT AND ROTARY SWITCH MODULE



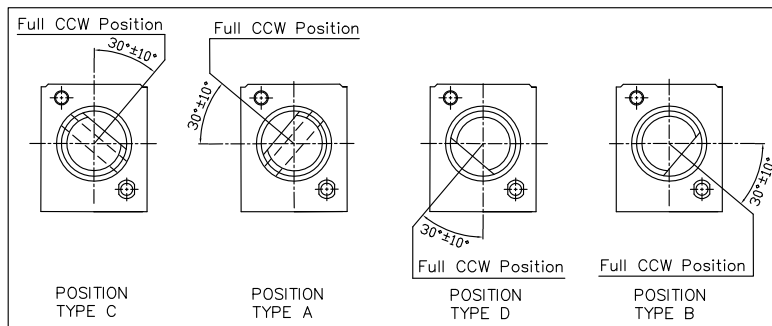
Model P08x

Shaft Length "L" Code – For Models P08xN and P08xS only



Shaft Position (F-Type Shaft)

Dashed lines on Type "C" and Type "A" shows position of adjustment slot for S-Type



STANDARD RESISTANCE VALUES, OHMS

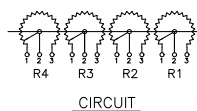
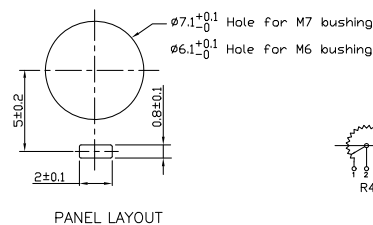
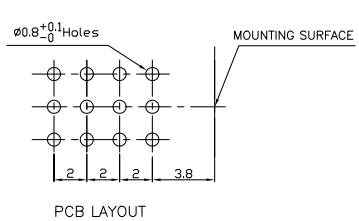
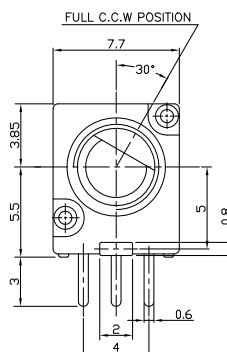
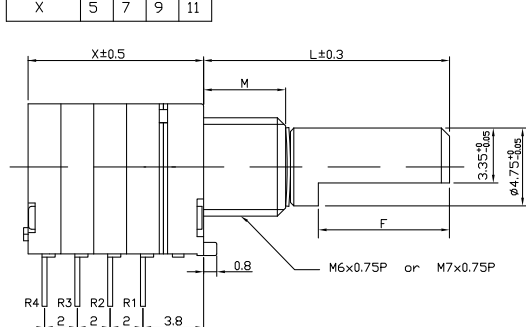
500	1K	2K	5K	10K	20K	50K	100K	200K	500K	1MEG
-----	----	----	----	-----	-----	-----	------	------	------	------

Model P08x

OUTLINE DRAWING

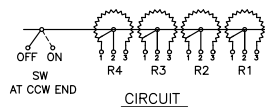
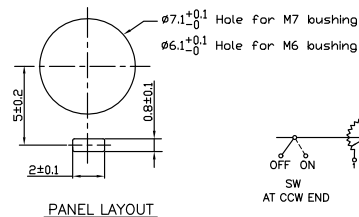
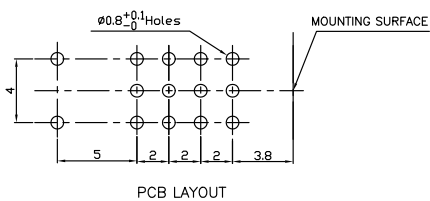
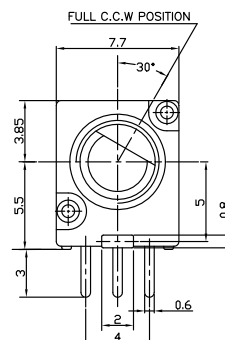
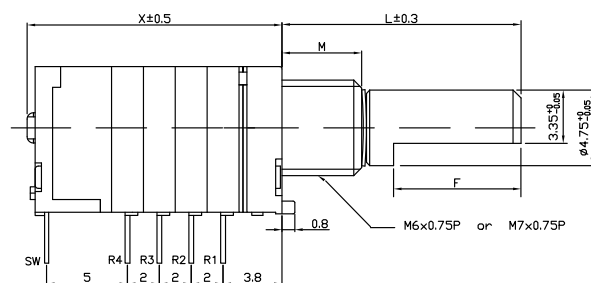
P08xN - POTENTIOMETER MODULE

NUMBER OF GANGS	1	2	3	4
X	5	7	9	11



P08xS - POTENTIOMETER WITH ROTARY SWITCH MODULE

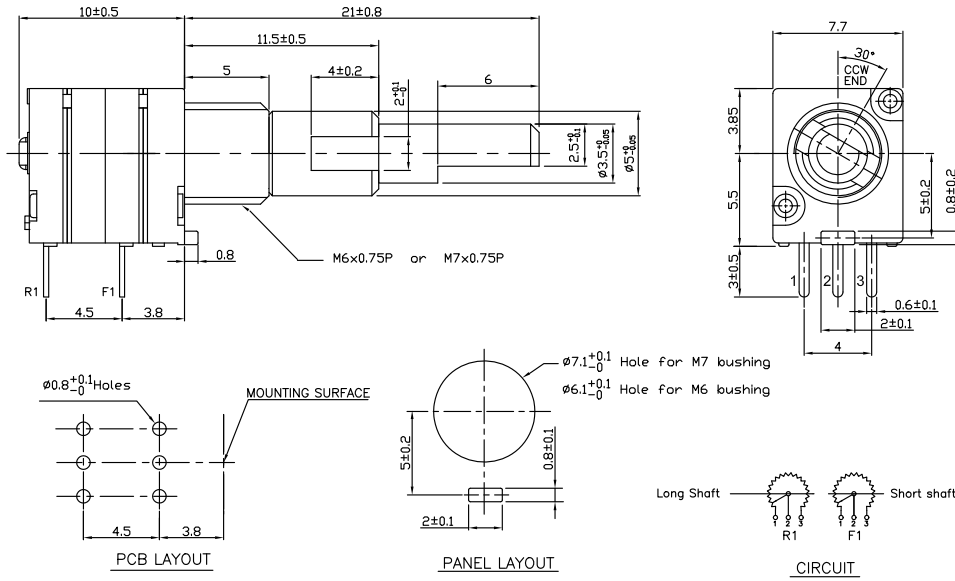
NUMBER OF GANGS	1	2	3	4
X	10	12	14	16



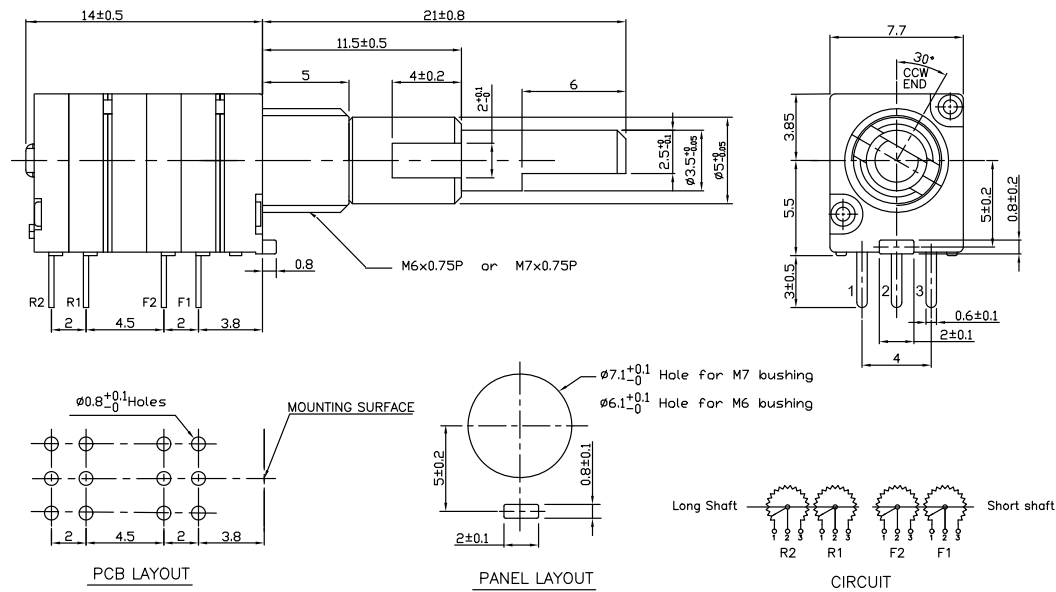
Model P08x

P08xD - POTENTIOMETER WITH DUAL SHAFT MODULE

2 GANG



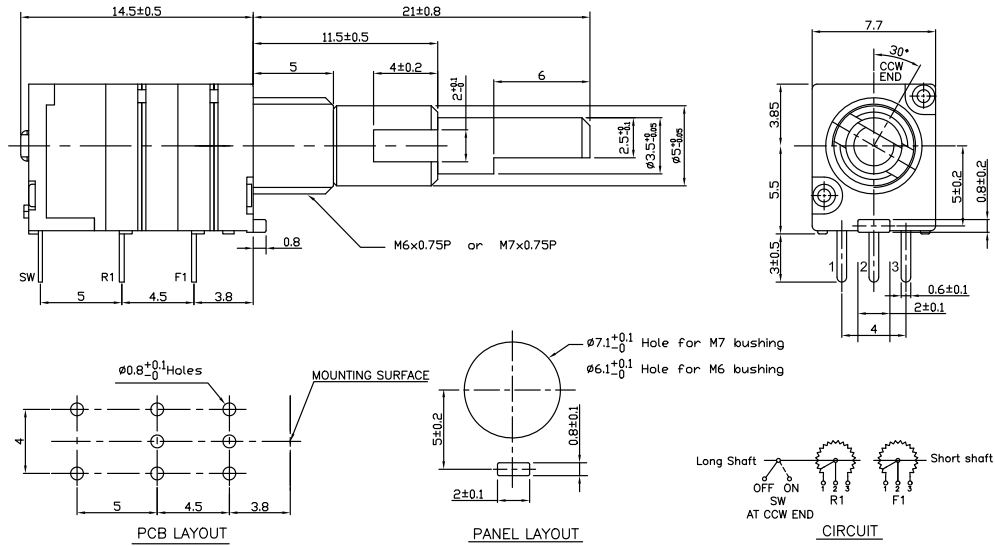
4 GANG



Model P08x

P08xE - POTENTIOMETER WITH DUAL SHAFT AND ROTARY SWITCH MODULE

2 GANG



4 GANG

