

# SN54ABT2827, SN74ABT2827 10-BIT BUFFERS/DRIVERS WITH 3-STATE OUTPUTS

SCBS648A – DECEMBER 1995 – REVISED JANUARY 1997

- Output Ports Have Equivalent 25-Ω Series Resistors, So No External Resistors Are Required
- State-of-the-Art EPIC-IIB™ BiCMOS Design Significantly Reduces Power Dissipation
- Flow-Through Architecture Optimizes PCB Layout
- Latch-Up Performance Exceeds 500 mA Per JEDEC Standard JESD-17
- Typical  $V_{OLP}$  (Output Ground Bounce) < 1 V at  $V_{CC} = 5$  V,  $T_A = 25^\circ\text{C}$
- Package Options Include Plastic Small-Outline (DW) Package, Ceramic Chip Carriers (FK), and Plastic (NT) and Ceramic (JT) DIPs

## description

These 10-bit buffers or bus drivers provide a high-performance bus interface for wide data paths or buses carrying parity.

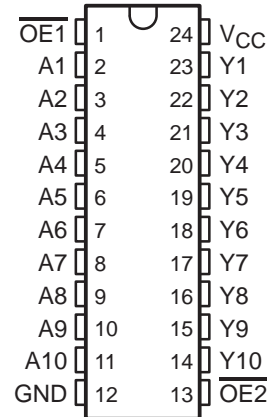
The 3-state control gate is a 2-input AND gate with active-low inputs so that if either output-enable ( $\overline{OE1}$  or  $\overline{OE2}$ ) input is high, all ten outputs are in the high-impedance state. The 'ABT2827 provide true data at their outputs.

To ensure the high-impedance state during power up or power down,  $\overline{OE}$  should be tied to  $V_{CC}$  through a pullup resistor; the minimum value of the resistor is determined by the current-sinking capability of the driver.

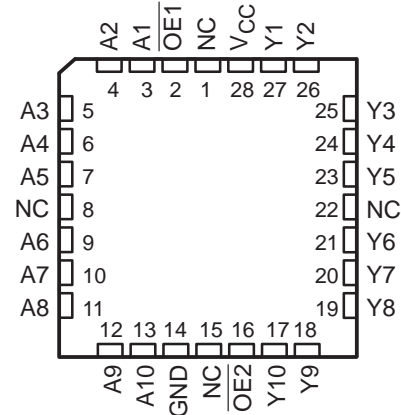
The outputs, which are designed to source or sink up to 12 mA, include equivalent 25-Ω series resistors to reduce overshoot and undershoot.

The SN54ABT2827 is characterized for operation over the full military temperature range of  $-55^\circ\text{C}$  to  $125^\circ\text{C}$ . The SN74ABT2827 is characterized for operation from  $-40^\circ\text{C}$  to  $85^\circ\text{C}$ .

SN54ABT2827 . . . JT PACKAGE  
SN74ABT2827 . . . DW OR NT PACKAGE  
(TOP VIEW)



SN54ABT2827 . . . FK PACKAGE  
(TOP VIEW)



NC – No internal connection



Please be aware that an important notice concerning availability, standard warranty, and use in critical applications of Texas Instruments semiconductor products and disclaimers thereto appears at the end of this data sheet.

EPIC-IIB is a trademark of Texas Instruments Incorporated.

UNLESS OTHERWISE NOTED this document contains PRODUCTION DATA information current as of publication date. Products conform to specifications per the terms of Texas Instruments standard warranty. Production processing does not necessarily include testing of all parameters.



POST OFFICE BOX 655303 • DALLAS, TEXAS 75265

Copyright © 1997, Texas Instruments Incorporated

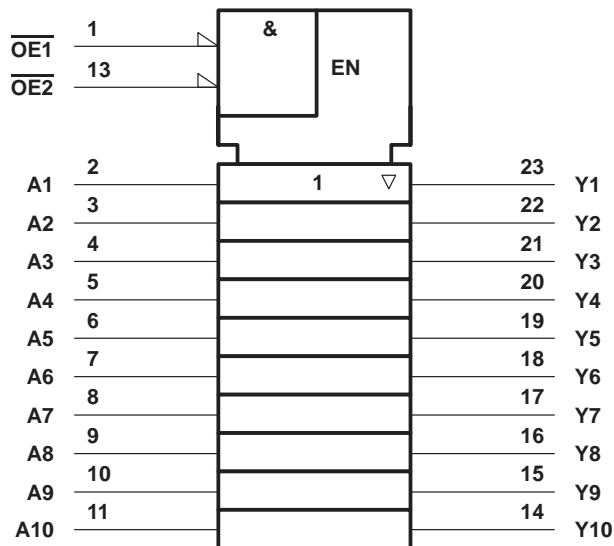
# SN54ABT2827, SN74ABT2827 10-BIT BUFFERS/DRIVERS WITH 3-STATE OUTPUTS

SCBS648A – DECEMBER 1995 – REVISED JANUARY 1997

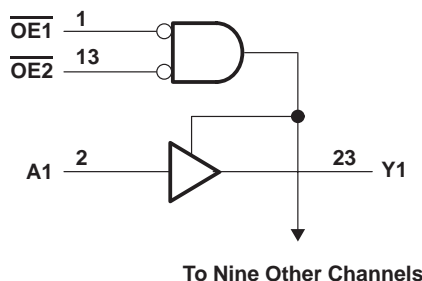
FUNCTION TABLE

| INPUTS |     |   | OUTPUT<br>Y |
|--------|-----|---|-------------|
| OE1    | OE2 | A |             |
| L      | L   | L | L           |
| L      | L   | H | H           |
| H      | X   | X | Z           |
| X      | H   | X | Z           |

logic symbol†



logic diagram (positive logic)



† This symbol is in accordance with ANSI/IEEE Std 91-1984 and IEC Publication 617-12.

Pin numbers shown are for the DW, JT, and NT packages.

## absolute maximum ratings over operating free-air temperature range (unless otherwise noted)‡

|   |                 |
|---|-----------------|
| Supply voltage range, $V_{CC}$  | -0.5 V to 7 V   |
| Input voltage range, $V_I$ (see Note 1)                                   | -0.5 V to 7 V   |
| Voltage range applied to any output in the high or power-off state, $V_O$ | -0.5 V to 5.5 V |
| Current into any output in the low state, $I_O$ : SN54ABT2827             | 96 mA           |
| SN74ABT2827   | 128 mA          |
| Input clamp current, $I_{IK}$ ( $V_I < 0$ )                               | -18 mA          |
| Output clamp current, $I_{OK}$ ( $V_O < 0$ )                              | -50 mA          |
| Package thermal impedance, $\theta_{JA}$ (see Note 2): DW package         | 81°C/W          |
| NT package  | 67°C/W          |
| Storage temperature range, $T_{stg}$                                      | -65°C to 150°C  |

‡ Stresses beyond those listed under “absolute maximum ratings” may cause permanent damage to the device. These are stress ratings only, and functional operation of the device at these or any other conditions beyond those indicated under “recommended operating conditions” is not implied. Exposure to absolute-maximum-rated conditions for extended periods may affect device reliability.

NOTES: 1. The input and output negative-voltage ratings may be exceeded if the input and output clamp-current ratings are observed.  
2. The package thermal impedance is calculated in accordance with EIA/JEDEC Std JESD51, except for through-hole packages, which use a trace length of zero.

# SN54ABT2827, SN74ABT2827 10-BIT BUFFERS/DRIVERS WITH 3-STATE OUTPUTS

SCBS648A – DECEMBER 1995 – REVISED JANUARY 1997

## recommended operating conditions (see Note 3)

|                     |                                    | SN54ABT2827 |          | SN74ABT2827 |          | UNIT |
|---------------------|------------------------------------|-------------|----------|-------------|----------|------|
|                     |                                    | MIN         | MAX      | MIN         | MAX      |      |
| $V_{CC}$            | Supply voltage                     | 4.5         | 5.5      | 4.5         | 5.5      | V    |
| $V_{IH}$            | High-level input voltage           | 2           |          | 2           |          | V    |
| $V_{IL}$            | Low-level input voltage            |             | 0.8      |             | 0.8      | V    |
| $V_I$               | Input voltage                      | 0           | $V_{CC}$ | 0           | $V_{CC}$ | V    |
| $I_{OH}$            | High-level output current          |             | -12      |             | -12      | mA   |
| $I_{OL}$            | Low-level output current           |             | 12       |             | 12       | mA   |
| $\Delta t/\Delta v$ | Input transition rise or fall rate |             | 5        |             | 5        | ns/V |
| $T_A$               | Operating free-air temperature     | -55         | 125      | -40         | 85       | °C   |

NOTE 3: Unused inputs must be held high or low to prevent them from floating.

## electrical characteristics over recommended operating free-air temperature range (unless otherwise noted)

| PARAMETER                 | TEST CONDITIONS   |                                       | $T_A = 25^\circ\text{C}$ |               |                 | SN54ABT2827   |                 | SN74ABT2827   |                 | UNIT          |
|---------------------------|---|---------------------------------------|--------------------------|---------------|-----------------|---------------|-----------------|---------------|-----------------|---------------|
|                           |   |                                       | MIN                      | TYP†          | MAX             | MIN           | MAX             | MIN           | MAX             |               |
| $V_{IK}$                  | $V_{CC} = 4.5\text{ V}$ ,   | $I_I = -18\text{ mA}$                 |                          |               | -1.2            |               | -1.2            |               | -1.2            | V             |
| $V_{OH}$                  | $V_{CC} = 4.5\text{ V}$ ,   | $I_{OH} = -1\text{ mA}$               | 2.5                      |               |                 | 2.5           |                 | 2.5           |                 | V             |
|                           | $V_{CC} = 5\text{ V}$ ,   | $I_{OH} = -1\text{ mA}$               | 3                        |               |                 | 3             |                 | 3             |                 |               |
|                           | $V_{CC} = 4.5\text{ V}$   | $I_{OH} = -3\text{ mA}$               | 2.4                      |               |                 | 2.4           |                 | 2.4           |                 |               |
|                           |   | $I_{OH} = -12\text{ mA}$              | 2                        |               |                 | 2             |                 | 2             |                 |               |
| $V_{OL}$                  | $V_{CC} = 4.5\text{ V}$   | $I_{OL} = 12\text{ mA}$               |                          |               | 0.8             |               | 0.8             |               | 0.8             | V             |
| $V_{hys}$                 |   |                                       |                          | 100           |                 |               |                 |               |                 | mV            |
| $I_I$                     | $V_{CC} = 0\text{ to }5.5\text{ V}$ ,   | $V_I = V_{CC}\text{ or GND}$          |                          |               | $\pm 1$         |               | $\pm 1$         |               | $\pm 1$         | $\mu\text{A}$ |
| $I_{OZH}$                 | $V_{CC} = 5.5\text{ V}$ ,   | $V_O = 2.7\text{ V}$                  |                          |               | $10^\ddagger$   |               | 10              |               | $10^\ddagger$   | $\mu\text{A}$ |
| $I_{OZL}$                 | $V_{CC} = 5.5\text{ V}$ ,   | $V_O = 0.5\text{ V}$                  |                          |               | $-10^\ddagger$  |               | -10             |               | $-10^\ddagger$  | $\mu\text{A}$ |
| $I_{off}$                 | $V_{CC} = 0$ ,  | $V_I\text{ or }V_O \leq 4.5\text{ V}$ |                          |               | $\pm 100$       |               |                 |               | $\pm 100$       | $\mu\text{A}$ |
| $I_{CEX}$                 | $V_{CC} = 5.5\text{ V}$ , $V_O = 5.5\text{ V}$  | Outputs high                          |                          |               | 50              |               | 50              |               | 50              | $\mu\text{A}$ |
| $I_O^\S$                  | $V_{CC} = 5.5\text{ V}$ ,   | $V_O = 2.5\text{ V}$                  | -50                      | -140          | $-225^\ddagger$ | -50           | $-225^\ddagger$ | -50           | $-225^\ddagger$ | mA            |
| $I_{CC}$                  | $V_{CC} = 5.5\text{ V}$ ,<br>$I_O = 0$ ,<br>$V_I = V_{CC}\text{ or GND}$                      | Outputs high                          | 80                       | 250           |                 | 250           |                 | 250           |                 | $\mu\text{A}$ |
|                           |   | Outputs low                           | 35                       | $40^\ddagger$ |                 | $40^\ddagger$ |                 | $40^\ddagger$ |                 | mA            |
|                           |   | Outputs disabled                      | 80                       | 250           |                 | 250           |                 | 250           |                 | $\mu\text{A}$ |
| $\Delta I_{CC}^\parallel$ | $V_{CC} = 5.5\text{ V}$ ,<br>One input at 3.4 V,<br>Other inputs at<br>$V_{CC}\text{ or GND}$ | Outputs enabled                       |                          | 1.5           |                 | 1.5           |                 | 1.5           |                 | mA            |
|                           |   | Outputs disabled                      |                          | 50            |                 | 50            |                 | 50            |                 | $\mu\text{A}$ |
|                           |   | Control inputs                        |                          | 1.5           |                 | 1.5           |                 | 1.5           |                 | mA            |
| $C_i$                     | $V_I = 2.5\text{ V or }0.5\text{ V}$  |                                       |                          | 4             |                 |               |                 |               |                 | pF            |
| $C_o$                     | $V_O = 2.5\text{ V or }0.5\text{ V}$  |                                       |                          | 8.5           |                 |               |                 |               |                 | pF            |

† All typical values are at  $V_{CC} = 5\text{ V}$ ,  $T_A = 25^\circ\text{C}$ .

‡ This data sheet limit may vary among suppliers.

§ Not more than one output should be tested at a time, and the duration of the test should not exceed one second.

¶ This is the increase in supply current for each input that is at the specified TTL voltage level rather than  $V_{CC}$  or GND.

PRODUCT PREVIEW information concerns products in the formative or design phase of development. Characteristic data and other specifications are design goals. Texas Instruments reserves the right to change or discontinue these products without notice.



POST OFFICE BOX 655303 • DALLAS, TEXAS 75265

**SN54ABT2827, SN74ABT2827**  
**10-BIT BUFFERS/DRIVERS**  
**WITH 3-STATE OUTPUTS**

SCBS648A – DECEMBER 1995 – REVISED JANUARY 1997

switching characteristics over recommended ranges of supply voltage and operating free-air temperature,  $C_L = 50 \text{ pF}$  (unless otherwise noted) (see Figure 1)

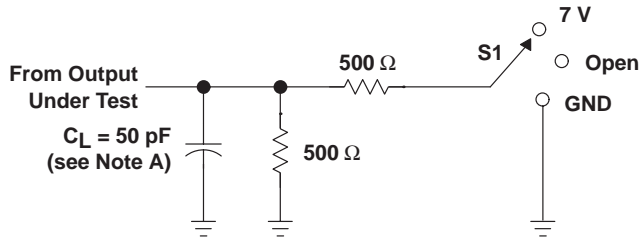
| PARAMETER | FROM (INPUT)    | TO (OUTPUT) | $V_{CC} = 5 \text{ V},$<br>$T_A = 25^\circ\text{C}$ |     |     | SN54ABT2827 |     | SN74ABT2827 |     | UNIT |
|-----------|-----------------|-------------|---|-----|-----|-------------|-----|-------------|-----|------|
|           |                 |             | MIN   | TYP | MAX | MIN         | MAX | MIN         | MAX |      |
| $t_{PLH}$ | A               | Y           | 1.1   | 3.3 | 5.1 | 1.1         | 5.6 | 1.1         | 5.5 | ns   |
| $t_{PHL}$ |                 |             | 1.1   | 2.7 | 4.5 | 1.1         | 5.2 | 1.1         | 5.1 |      |
| $t_{PZH}$ | $\overline{OE}$ | Y           | 1   | 4   | 5.9 | 1           | 6.8 | 1           | 6.7 | ns   |
| $t_{PZL}$ |                 |             | 1   | 4.2 | 6.8 | 1           | 8   | 1           | 7.8 |      |
| $t_{PHZ}$ | $\overline{OE}$ | Y           | 2   | 5.3 | 6.7 | 2           | 7.4 | 2           | 7.2 | ns   |
| $t_{PLZ}$ |                 |             | 1.3   | 4.8 | 7.2 | 1.3         | 8.5 | 1.3         | 7.5 |      |

PRODUCT PREVIEW information concerns products in the formative or design phase of development. Characteristic data and other specifications are design goals. Texas Instruments reserves the right to change or discontinue these products without notice.



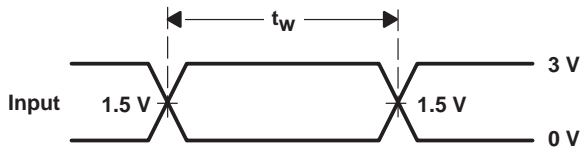
POST OFFICE BOX 655303 • DALLAS, TEXAS 75265

PARAMETER MEASUREMENT INFORMATION

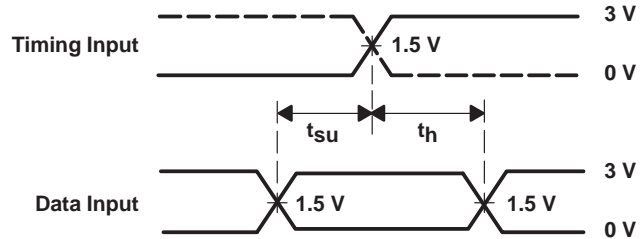


LOAD CIRCUIT

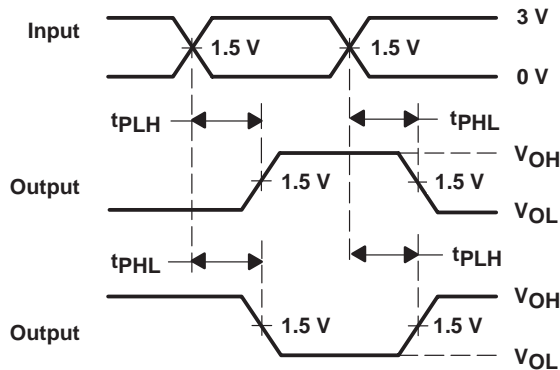
| TEST              | S1   |
|-------------------|------|
| $t_{PLH}/t_{PHL}$ | Open |
| $t_{PLZ}/t_{PZL}$ | 7 V  |
| $t_{PHZ}/t_{PZH}$ | Open |



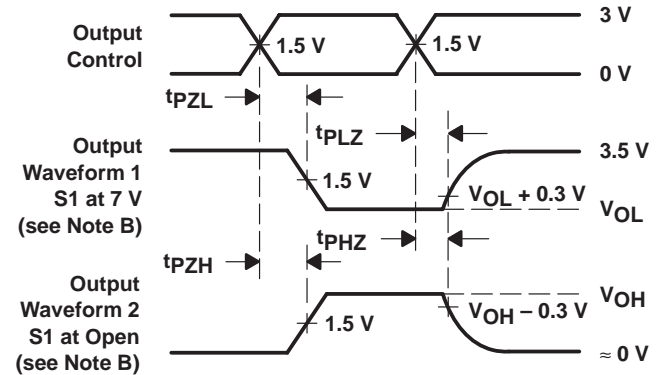
VOLTAGE WAVEFORMS  
PULSE DURATION



VOLTAGE WAVEFORMS  
SETUP AND HOLD TIMES



VOLTAGE WAVEFORMS  
PROPAGATION DELAY TIMES  
INVERTING AND NONINVERTING OUTPUTS



VOLTAGE WAVEFORMS  
ENABLE AND DISABLE TIMES  
LOW- AND HIGH-LEVEL ENABLING

- NOTES: A.  $C_L$  includes probe and jig capacitance.  
B. Waveform 1 is for an output with internal conditions such that the output is low except when disabled by the output control. Waveform 2 is for an output with internal conditions such that the output is high except when disabled by the output control.  
C. All input pulses are supplied by generators having the following characteristics:  $PRR \leq 10 \text{ MHz}$ ,  $Z_O = 50 \Omega$ ,  $t_r \leq 2.5 \text{ ns}$ ,  $t_f \leq 2.5 \text{ ns}$ .  
D. The outputs are measured one at a time with one transition per measurement.

Figure 1. Load Circuit and Voltage Waveforms

**PACKAGING INFORMATION**

| Orderable Device | Status<br>(1) | Package Type | Package Drawing | Pins | Package Qty | Eco Plan<br>(2)         | Lead/Ball Finish<br>(6) | MSL Peak Temp<br>(3) | Op Temp (°C) | Device Marking<br>(4/5) | Samples                 |
|------------------|---------------|--------------|-----------------|------|-------------|-------------------------|-------------------------|----------------------|--------------|-------------------------|-------------------------|
| SN74ABT2827DW    | ACTIVE        | SOIC         | DW              | 24   | 25          | Green (RoHS & no Sb/Br) | CU NIPDAU               | Level-1-260C-UNLIM   | -40 to 85    | ABT2827                 | <a href="#">Samples</a> |
| SN74ABT2827DWR   | ACTIVE        | SOIC         | DW              | 24   | 2000        | Green (RoHS & no Sb/Br) | CU NIPDAU               | Level-1-260C-UNLIM   | -40 to 85    | ABT2827                 | <a href="#">Samples</a> |

(1) The marketing status values are defined as follows:

**ACTIVE:** Product device recommended for new designs.

**LIFEBUY:** TI has announced that the device will be discontinued, and a lifetime-buy period is in effect.

**NRND:** Not recommended for new designs. Device is in production to support existing customers, but TI does not recommend using this part in a new design.

**PREVIEW:** Device has been announced but is not in production. Samples may or may not be available.

**OBsolete:** TI has discontinued the production of the device.

(2) Eco Plan - The planned eco-friendly classification: Pb-Free (RoHS), Pb-Free (RoHS Exempt), or Green (RoHS & no Sb/Br) - please check <http://www.ti.com/productcontent> for the latest availability information and additional product content details.

**TBD:** The Pb-Free/Green conversion plan has not been defined.

**Pb-Free (RoHS):** TI's terms "Lead-Free" or "Pb-Free" mean semiconductor products that are compatible with the current RoHS requirements for all 6 substances, including the requirement that lead not exceed 0.1% by weight in homogeneous materials. Where designed to be soldered at high temperatures, TI Pb-Free products are suitable for use in specified lead-free processes.

**Pb-Free (RoHS Exempt):** This component has a RoHS exemption for either 1) lead-based flip-chip solder bumps used between the die and package, or 2) lead-based die adhesive used between the die and leadframe. The component is otherwise considered Pb-Free (RoHS compatible) as defined above.

**Green (RoHS & no Sb/Br):** TI defines "Green" to mean Pb-Free (RoHS compatible), and free of Bromine (Br) and Antimony (Sb) based flame retardants (Br or Sb do not exceed 0.1% by weight in homogeneous material)

(3) MSL, Peak Temp. - The Moisture Sensitivity Level rating according to the JEDEC industry standard classifications, and peak solder temperature.

(4) There may be additional marking, which relates to the logo, the lot trace code information, or the environmental category on the device.

(5) Multiple Device Markings will be inside parentheses. Only one Device Marking contained in parentheses and separated by a "~" will appear on a device. If a line is indented then it is a continuation of the previous line and the two combined represent the entire Device Marking for that device.

(6) Lead/Ball Finish - Orderable Devices may have multiple material finish options. Finish options are separated by a vertical ruled line. Lead/Ball Finish values may wrap to two lines if the finish value exceeds the maximum column width.

**Important Information and Disclaimer:** The information provided on this page represents TI's knowledge and belief as of the date that it is provided. TI bases its knowledge and belief on information provided by third parties, and makes no representation or warranty as to the accuracy of such information. Efforts are underway to better integrate information from third parties. TI has taken and continues to take reasonable steps to provide representative and accurate information but may not have conducted destructive testing or chemical analysis on incoming materials and chemicals. TI and TI suppliers consider certain information to be proprietary, and thus CAS numbers and other limited information may not be available for release.

In no event shall TI's liability arising out of such information exceed the total purchase price of the TI part(s) at issue in this document sold by TI to Customer on an annual basis.

**TAPE AND REEL INFORMATION**
**REEL DIMENSIONS**

**TAPE DIMENSIONS**


|    |   |
|----|---|
| A0 | Dimension designed to accommodate the component width     |
| B0 | Dimension designed to accommodate the component length    |
| K0 | Dimension designed to accommodate the component thickness |
| W  | Overall width of the carrier tape                         |
| P1 | Pitch between successive cavity centers                   |

**TAPE AND REEL INFORMATION**

\*All dimensions are nominal

| Device         | Package Type | Package Drawing | Pins | SPQ  | Reel Diameter (mm) | Reel Width W1 (mm) | A0 (mm) | B0 (mm) | K0 (mm) | P1 (mm) | W (mm) | Pin1 Quadrant |
|----------------|--------------|-----------------|------|------|--------------------|--------------------|---------|---------|---------|---------|--------|---------------|
| SN74ABT2827DWR | SOIC         | DW              | 24   | 2000 | 330.0              | 24.4               | 10.75   | 15.7    | 2.7     | 12.0    | 24.0   | Q1            |



TAPE AND REEL BOX DIMENSIONS

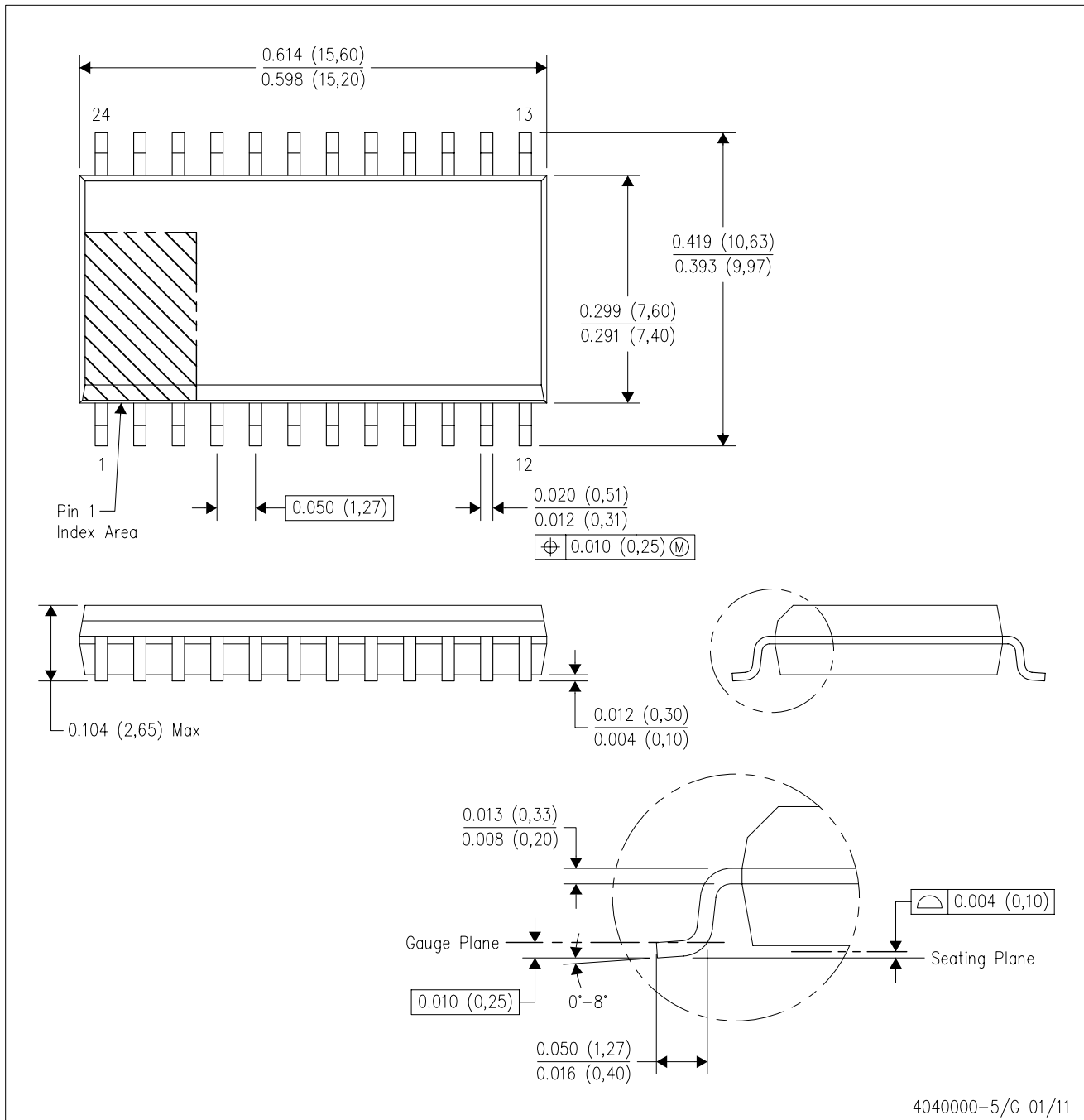


\*All dimensions are nominal

| Device         | Package Type | Package Drawing | Pins | SPQ  | Length (mm) | Width (mm) | Height (mm) |
|----------------|--------------|-----------------|------|------|-------------|------------|-------------|
| SN74ABT2827DWR | SOIC         | DW              | 24   | 2000 | 367.0       | 367.0      | 45.0        |

DW (R-PDSO-G24)

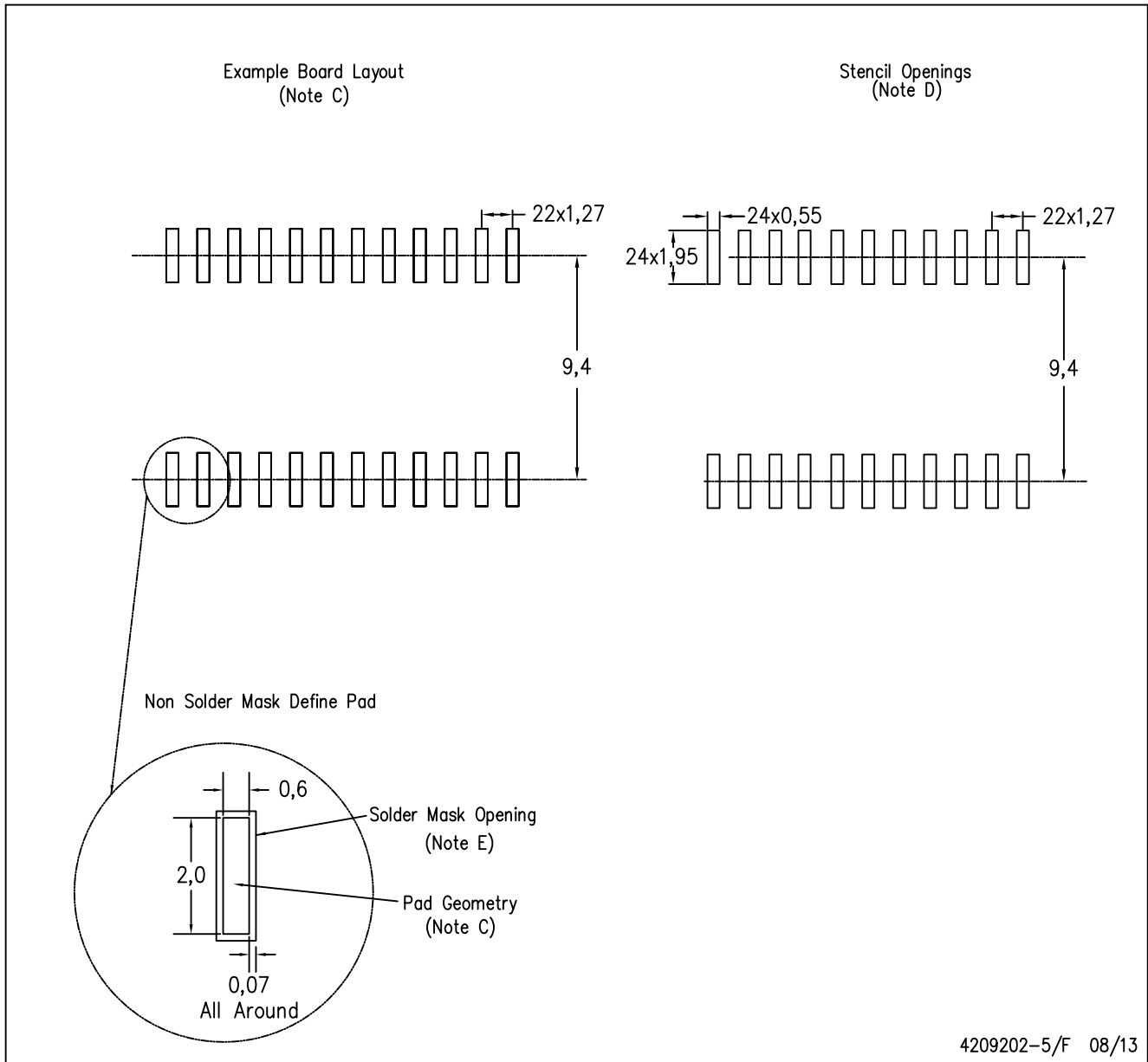
PLASTIC SMALL OUTLINE



- NOTES:
- A. All linear dimensions are in inches (millimeters). Dimensioning and tolerancing per ASME Y14.5M-1994.
  - B. This drawing is subject to change without notice.
  - C. Body dimensions do not include mold flash or protrusion not to exceed 0.006 (0,15).
  - D. Falls within JEDEC MS-013 variation AD.

DW (R-PDSO-G24)

PLASTIC SMALL OUTLINE



4209202-5/F 08/13

- NOTES:
- A. All linear dimensions are in millimeters.
  - B. This drawing is subject to change without notice.
  - C. Refer to IPC7351 for alternate board design.
  - D. Laser cutting apertures with trapezoidal walls and also rounding corners will offer better paste release. Customers should contact their board assembly site for stencil design recommendations. Refer to IPC-7525
  - E. Customers should contact their board fabrication site for solder mask tolerances between and around signal pads.

## IMPORTANT NOTICE

Texas Instruments Incorporated and its subsidiaries (TI) reserve the right to make corrections, enhancements, improvements and other changes to its semiconductor products and services per JESD46, latest issue, and to discontinue any product or service per JESD48, latest issue. Buyers should obtain the latest relevant information before placing orders and should verify that such information is current and complete. All semiconductor products (also referred to herein as "components") are sold subject to TI's terms and conditions of sale supplied at the time of order acknowledgment.

TI warrants performance of its components to the specifications applicable at the time of sale, in accordance with the warranty in TI's terms and conditions of sale of semiconductor products. Testing and other quality control techniques are used to the extent TI deems necessary to support this warranty. Except where mandated by applicable law, testing of all parameters of each component is not necessarily performed.

TI assumes no liability for applications assistance or the design of Buyers' products. Buyers are responsible for their products and applications using TI components. To minimize the risks associated with Buyers' products and applications, Buyers should provide adequate design and operating safeguards.

TI does not warrant or represent that any license, either express or implied, is granted under any patent right, copyright, mask work right, or other intellectual property right relating to any combination, machine, or process in which TI components or services are used. Information published by TI regarding third-party products or services does not constitute a license to use such products or services or a warranty or endorsement thereof. Use of such information may require a license from a third party under the patents or other intellectual property of the third party, or a license from TI under the patents or other intellectual property of TI.

Reproduction of significant portions of TI information in TI data books or data sheets is permissible only if reproduction is without alteration and is accompanied by all associated warranties, conditions, limitations, and notices. TI is not responsible or liable for such altered documentation. Information of third parties may be subject to additional restrictions.

Resale of TI components or services with statements different from or beyond the parameters stated by TI for that component or service voids all express and any implied warranties for the associated TI component or service and is an unfair and deceptive business practice. TI is not responsible or liable for any such statements.

Buyer acknowledges and agrees that it is solely responsible for compliance with all legal, regulatory and safety-related requirements concerning its products, and any use of TI components in its applications, notwithstanding any applications-related information or support that may be provided by TI. Buyer represents and agrees that it has all the necessary expertise to create and implement safeguards which anticipate dangerous consequences of failures, monitor failures and their consequences, lessen the likelihood of failures that might cause harm and take appropriate remedial actions. Buyer will fully indemnify TI and its representatives against any damages arising out of the use of any TI components in safety-critical applications.

In some cases, TI components may be promoted specifically to facilitate safety-related applications. With such components, TI's goal is to help enable customers to design and create their own end-product solutions that meet applicable functional safety standards and requirements. Nonetheless, such components are subject to these terms.

No TI components are authorized for use in FDA Class III (or similar life-critical medical equipment) unless authorized officers of the parties have executed a special agreement specifically governing such use.

Only those TI components which TI has specifically designated as military grade or "enhanced plastic" are designed and intended for use in military/aerospace applications or environments. Buyer acknowledges and agrees that any military or aerospace use of TI components which have **not** been so designated is solely at the Buyer's risk, and that Buyer is solely responsible for compliance with all legal and regulatory requirements in connection with such use.

TI has specifically designated certain components as meeting ISO/TS16949 requirements, mainly for automotive use. In any case of use of non-designated products, TI will not be responsible for any failure to meet ISO/TS16949.

### Products

|                              |  |
|------------------------------|--|
| Audio                        | <a href="http://www.ti.com/audio">www.ti.com/audio</a>                               |
| Amplifiers                   | <a href="http://amplifier.ti.com">amplifier.ti.com</a>                               |
| Data Converters              | <a href="http://dataconverter.ti.com">dataconverter.ti.com</a>                       |
| DLP® Products                | <a href="http://www.dlp.com">www.dlp.com</a>   |
| DSP                          | <a href="http://dsp.ti.com">dsp.ti.com</a>   |
| Clocks and Timers            | <a href="http://www.ti.com/clocks">www.ti.com/clocks</a>                             |
| Interface                    | <a href="http://interface.ti.com">interface.ti.com</a>                               |
| Logic                        | <a href="http://logic.ti.com">logic.ti.com</a>                                       |
| Power Mgmt                   | <a href="http://power.ti.com">power.ti.com</a>                                       |
| Microcontrollers             | <a href="http://microcontroller.ti.com">microcontroller.ti.com</a>                   |
| RFID                         | <a href="http://www.ti-rfid.com">www.ti-rfid.com</a>                                 |
| OMAP Applications Processors | <a href="http://www.ti.com/omap">www.ti.com/omap</a>                                 |
| Wireless Connectivity        | <a href="http://www.ti.com/wirelessconnectivity">www.ti.com/wirelessconnectivity</a> |

### Applications

|                               |  |
|-------------------------------|--|
| Automotive and Transportation | <a href="http://www.ti.com/automotive">www.ti.com/automotive</a>                         |
| Communications and Telecom    | <a href="http://www.ti.com/communications">www.ti.com/communications</a>                 |
| Computers and Peripherals     | <a href="http://www.ti.com/computers">www.ti.com/computers</a>                           |
| Consumer Electronics          | <a href="http://www.ti.com/consumer-apps">www.ti.com/consumer-apps</a>                   |
| Energy and Lighting           | <a href="http://www.ti.com/energy">www.ti.com/energy</a>                                 |
| Industrial                    | <a href="http://www.ti.com/industrial">www.ti.com/industrial</a>                         |
| Medical                       | <a href="http://www.ti.com/medical">www.ti.com/medical</a>                               |
| Security                      | <a href="http://www.ti.com/security">www.ti.com/security</a>                             |
| Space, Avionics and Defense   | <a href="http://www.ti.com/space-avionics-defense">www.ti.com/space-avionics-defense</a> |
| Video and Imaging             | <a href="http://www.ti.com/video">www.ti.com/video</a>                                   |

### TI E2E Community

[e2e.ti.com](http://e2e.ti.com)