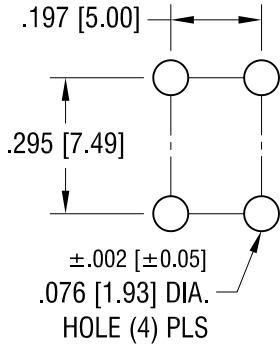
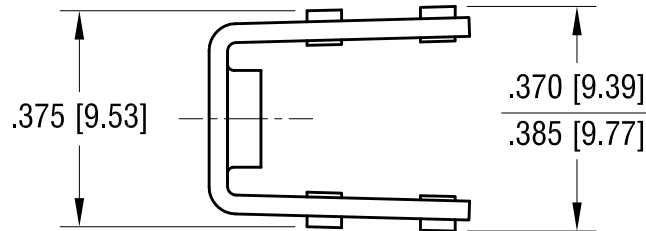
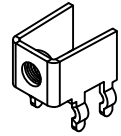


THIS DOCUMENT IS THE PROPERTY OF
KEYSTONE ELECTRONICS CORP. AND
SHALL NOT BE REPRODUCED, DISTRIBUTED
OR USED AS A BASIS FOR MANUFACTURE
WITHOUT PRIOR WRITTEN PERMISSION
FROM KEYSTONE ELECTRONICS CORP.

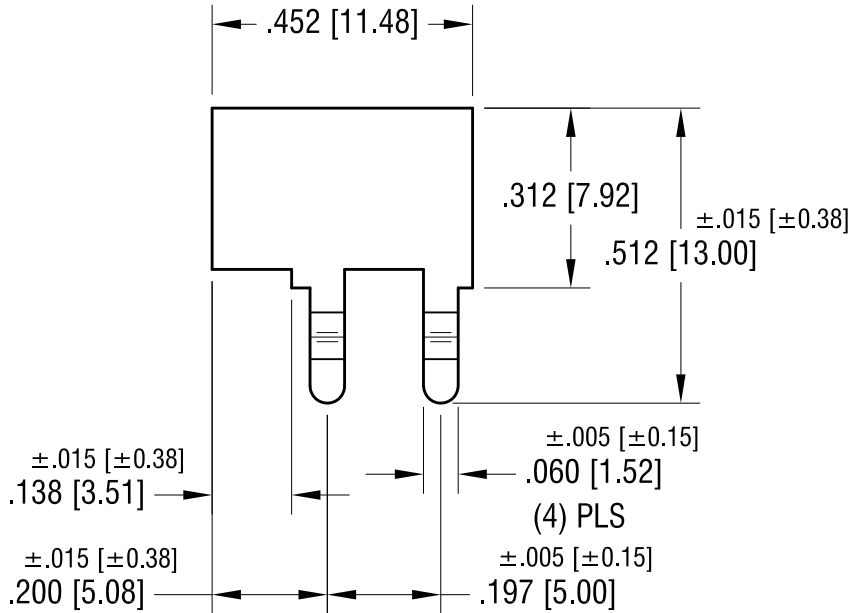
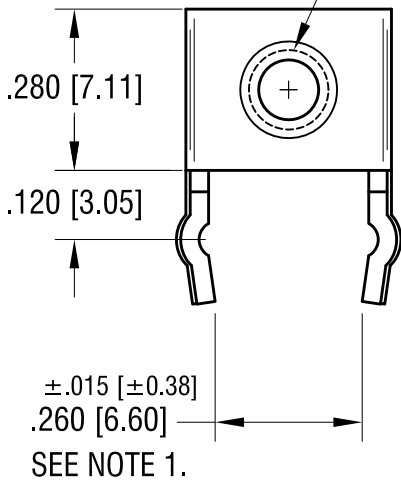
MOUNTING DETAIL



ACTUAL SIZE



6-32 THREAD
CLASS 2B



NOTE:

1. .260 [6.60] ±.015 [±0.38] DIMENSION
TO BE MEASURED AT END OF LEG,
NOT AT SEATING PLANE.

KEYSTONE ELECTRONICS CORP.

www.keyelco.com • ASTORIA, N.Y. 11105-2017 • Tel (718) 956-8900

1.14.16	CHANGE AS PER ECN 16-003	D	PART NAME PC SCREW TERMINAL	
2.25.13	CHANGE AS PER ECN 13-022	C	MATERIAL .032 [0.81] TH'K BRASS	
7.08.09	CHANGE AS PER ECN 09-096	B	FINISH MATTE TIN PLATE	DRN BY BOONE
1.30.08	CHANGE AS PER ECN 08-065	A		APP'D LN
DATE	DESCRIPTION	REV.	TOLERANCES DECIMAL ANGULAR UNLESS OTHERWISE SPECIFIED	INCH [MM] ±.010 [±0.25] ± 1°
			CODE C	DATE 9.6.01 SCALE 3X DWG NO. 7779