

Compact Flash Memory Card

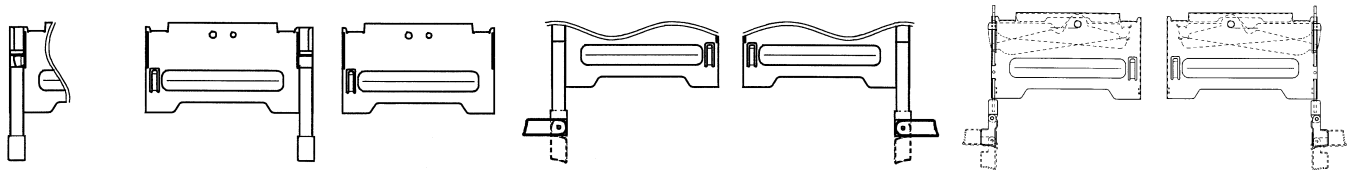
Series 5610/5620

極数 (No. of Pos.)	50
極間隔 (Pitch)	1.27mm Grid
	Tail Pitch 0.635mm
定格電流 (Current)	0.5A Max.
定格電圧 (Voltage)	5V Max.
耐電圧 (D.W.Voltage)	500Vrms/min.

デジタルカメラ、ノートPC、PDA等、携帯用の小型機器などに使用されるコンパクトフラッシュ対応のメモリーカード用コネクタです。
 ヘッダーは、自動実装に対応。ボタン位置、カスタムデザインにもフレキシブルに対応します。またノーマル仕様（ノーマル/リバース）に加え、カード下に部品実装が可能なスタンドオフタイプも用意しています。

Series 5610 and 5620 are memory card connector supporting Compact Flash that is used for such small-sized devices as Digital Still Camera, Laptop-PC, PDA, etc.
 Series 5610 and Series 5620 consisted of header connector and ejector.
 The header supports auto-mounting processes. It flexibly complies with any kind of ejector-button position and customized design. In addition to the normal and reverse type, stand-off type can also be offered, which enables the components to be mounted on the back side of card.

Ejector



LEFT STRAIGHT BUTTON RIGHT STRAIGHT BUTTON WITHOUT BUTTON LEFT FOLDABLE BUTTON RIGHT FOLDABLE BUTTON LEFT FOLDABLE BUTTON (SLIM TYPE) RIGHT FOLDABLE BUTTON (SLIM TYPE)

5610/TYPE I

Connector style Stand off / KEYING	Ejector style Button side		注文コード / Ordering Code	
			Connector	Ejector
 Height=0, Normal	Straight	Left side	31 5610 050 500 871+	30 5610 000 001 000 +
		Right side	31 5610 050 500 871+	30 5610 000 002 000 +
	Foldable	Left side	31 5610 050 500 871+	30 5610 000 005 000 +
		Right side	31 5610 050 500 871+	30 5610 000 006 000 +
	Foldable Slim	Left side	31 5610 050 500 871+	30 5610 000 904 000 +
		Right side	31 5610 050 500 871+	30 5610 000 903 000 +
 Height=0, Reverse	Straight	Left side	31 5610 050 550 871+	30 5610 000 001 000 +
		Right side	31 5610 050 550 871+	30 5610 000 002 000 +
	Foldable	Left side	31 5610 050 550 871+	30 5610 000 005 000 +
		Right side	31 5610 050 550 871+	30 5610 000 006 000 +
	Foldable Slim	Left side	31 5610 050 550 871+	30 5610 000 904 000 +
		Right side	31 5610 050 550 871+	30 5610 000 903 000 +
 Height=2.2, Normal	Straight	Left side	31 5610 050 210 871+	30 5610 000 001 000 +
		Right side	31 5610 050 210 871+	30 5610 000 002 000 +
	Foldable	Left side	31 5610 050 210 871+	30 5610 000 005 000 +
		Right side	31 5610 050 210 871+	30 5610 000 006 000 +
	Foldable Slim	Left side	31 5610 050 210 871+	30 5610 000 904 000 +
		Right side	31 5610 050 210 871+	30 5610 000 903 000 +
 Height=2.2, Reverse	Straight	Left side	31 5610 050 260 871+	30 5610 000 001 000 +
		Right side	31 5610 050 260 871+	30 5610 000 002 000 +
	Foldable	Left side	31 5610 050 260 871+	30 5610 000 005 000 +
		Right side	31 5610 050 260 871+	30 5610 000 006 000 +
	Foldable Slim	Left side	31 5610 050 260 871+	30 5610 000 904 000 +
		Right side	31 5610 050 260 871+	30 5610 000 903 000 +
Without	Without	All Products	70 5610 100 000 000 +	

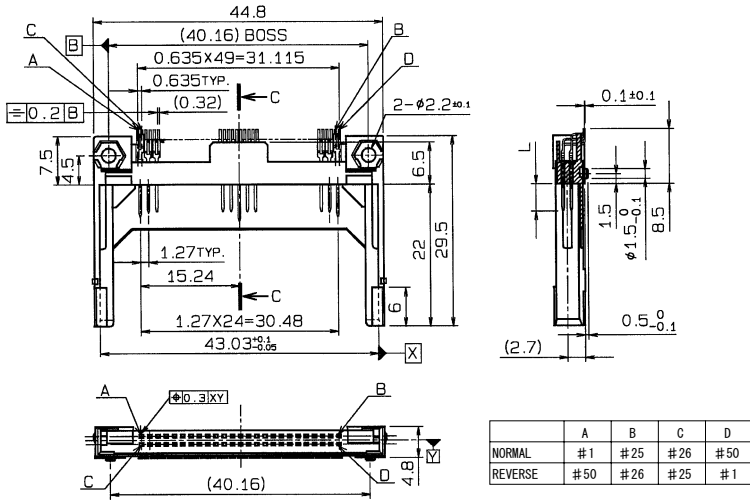
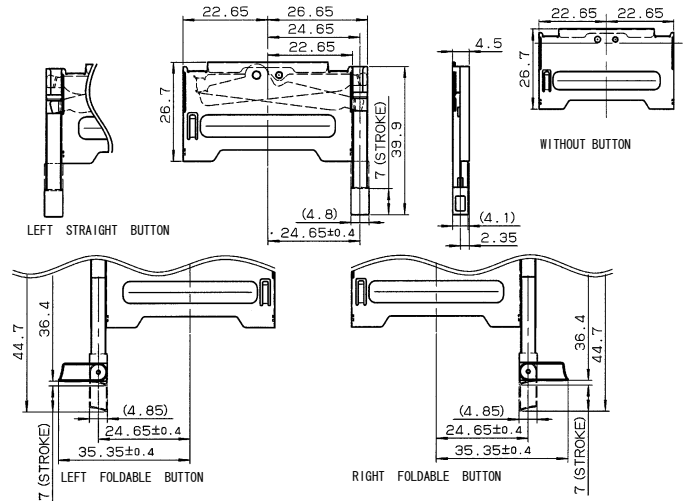
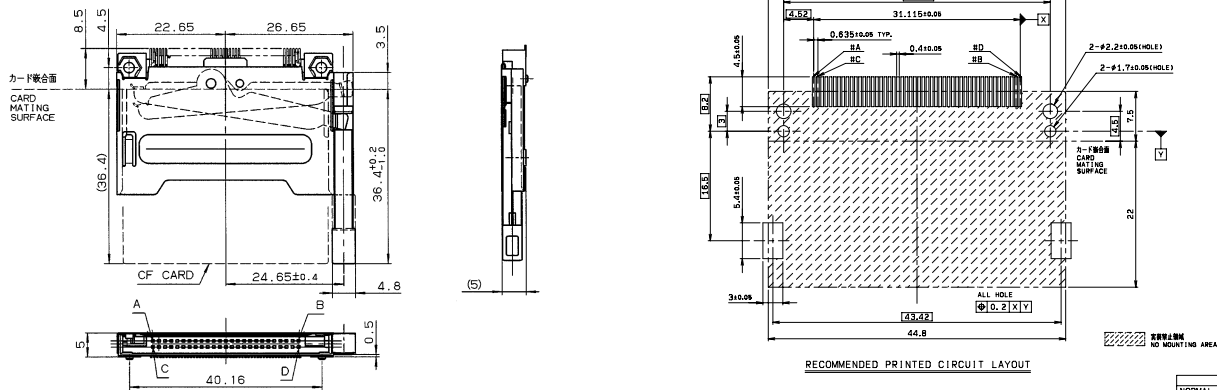
5620/TYPE II

Connector style Stand off / KEYING	Ejector style Button side		注文コード / Ordering Code	
			Connector	Ejector
 Height=0, Normal	Straight	Left side	31 5620 050 116 871+	30 5620 000 001 000 +
		Right side	31 5620 050 116 871+	30 5620 000 002 000 +
	Foldable	Left side	31 5620 050 116 871+	30 5620 000 005 000 +
		Right side	31 5620 050 116 871+	30 5620 000 006 000 +
 Height=2.0, Reverse	Straight	Left side	31 5620 050 716 871+	30 5610 000 001 000 +
		Right side	31 5620 050 716 871+	30 5610 000 002 000 +
	Foldable	Left side	31 5620 050 716 871+	30 5610 000 005 000 +
		Right side	31 5620 050 716 871+	30 5610 000 006 000 +
	Foldable Slim	Left side	31 5620 050 716 871+	30 5610 000 904 000 +
		Right side	31 5620 050 716 871+	30 5610 000 903 000 +
	Without	Without	All Products	70 5610 100 000 000 +

Compact Flash Memory Card Connectors

SERIES

5610

Type I Stand off H=0mm
● Connector

● Ejector

● Assembly

RoHS 対応品
RoHS Compliant Product

	A	B	C	D
NORMAL	#1	#25	#26	#50
REVERSE	#50	#26	#25	#1

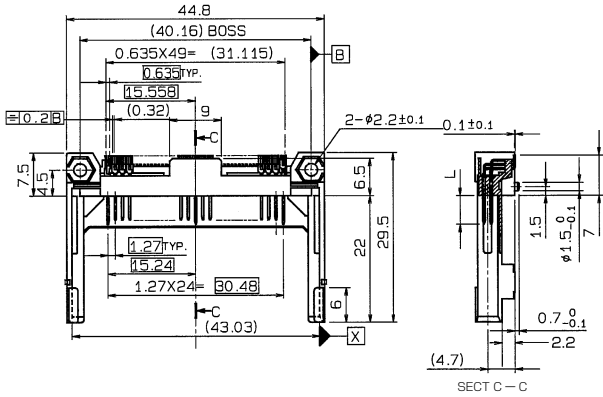
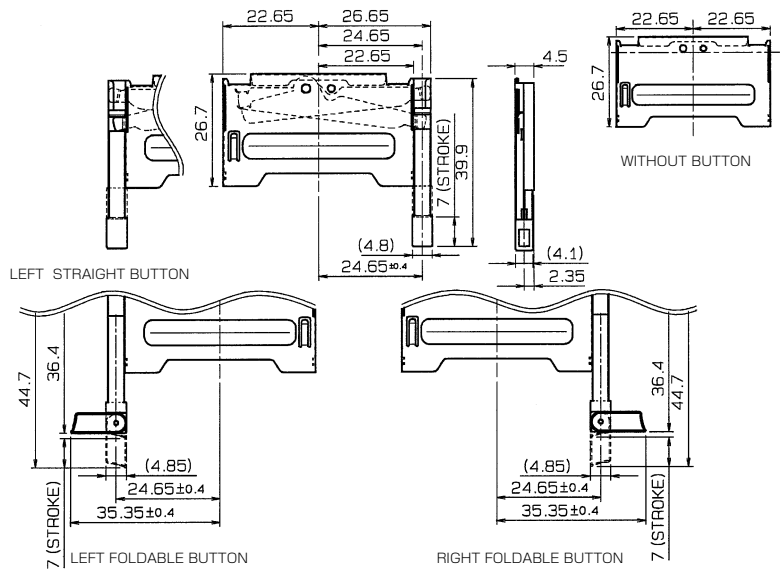
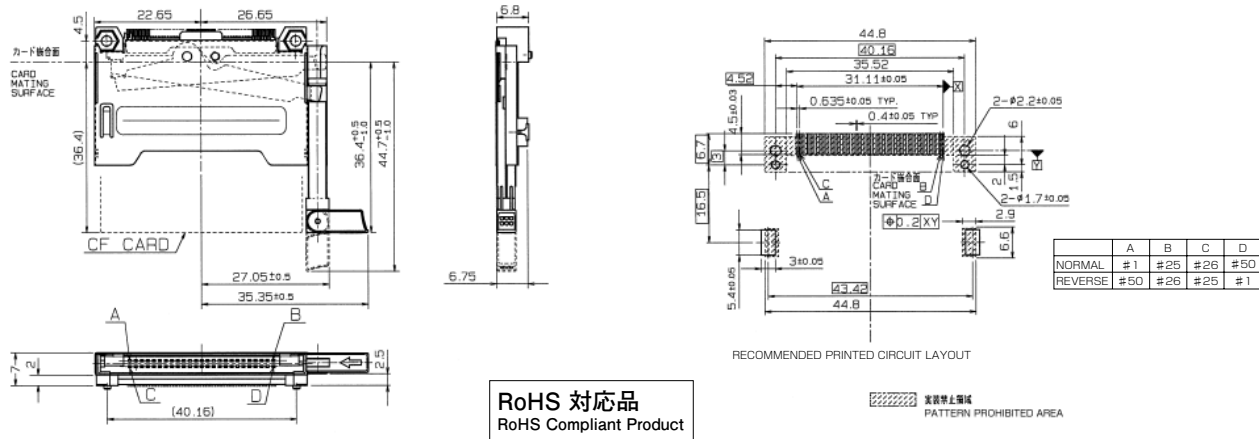
Connector style	Ejector style		Ordering Code	
	Style	Button side	Connector	Ejector
Normal	Straight	Left side	31 5610 050 500 871+	30 5610 000 001 000 +
		Right side	31 5610 050 500 871+	30 5610 000 002 000 +
	Foldable	Left side	31 5610 050 500 871+	30 5610 000 005 000 +
		Right side	31 5610 050 500 871+	30 5610 000 006 000 +
	Foldable Slim	Left side	31 5610 050 500 871+	30 5610 000 904 000 +
		Right side	31 5610 050 500 871+	30 5610 000 903 000 +
Without	Without	31 5610 050 500 871+	70 5610 100 000 000 +	
Reverse	Straight	Left side	31 5610 050 550 871+	30 5610 000 001 000 +
		Right side	31 5610 050 550 871+	30 5610 000 002 000 +
	Foldable	Left side	31 5610 050 550 871+	30 5610 000 005 000 +
		Right side	31 5610 050 550 871+	30 5610 000 006 000 +
	Foldable Slim	Left side	31 5610 050 550 871+	30 5610 000 904 000 +
		Right side	31 5610 050 550 871+	30 5610 000 903 000 +
Without	Without	31 5610 050 550 871+	70 5610 100 000 000 +	

Compact Flash Memory Card Connectors

SERIES

5610

Type I Stand off H=2.2mm

● Connector

● Ejector

● Assembly


Connector style	Ejector style		Ordering Code	
Keying	Style	Button side	Connector	Ejector
Normal	Straight	Left side	31 5610 050 210 871+	30 5610 000 001 000 +
		Right side	31 5610 050 210 871+	30 5610 000 002 000 +
	Foldable	Left side	31 5610 050 210 871+	30 5610 000 005 000 +
		Right side	31 5610 050 210 871+	30 5610 000 006 000 +
	Foldable Slim	Left side	31 5610 050 210 871+	30 5610 000 904 000 +
		Right side	31 5610 050 210 871+	30 5610 000 903 000 +
	Without	Without	31 5610 050 210 871+	70 5610 100 000 000 +
Reverse	Straight	Left side	31 5610 050 260 871+	30 5610 000 001 000 +
		Right side	31 5610 050 260 871+	30 5610 000 002 000 +
	Foldable	Left side	31 5610 050 260 871+	30 5610 000 005 000 +
		Right side	31 5610 050 260 871+	30 5610 000 006 000 +
	Foldable Slim	Left side	31 5610 050 260 871+	30 5610 000 904 000 +
		Right side	31 5610 050 260 871+	30 5610 000 903 000 +
	Without	Without	31 5610 050 260 871+	70 5610 100 000 000 +

生産対応可能バリエーションや極数については、営業部にご確認願います。

Feel free to contact our sales department for available variation or number of positions.