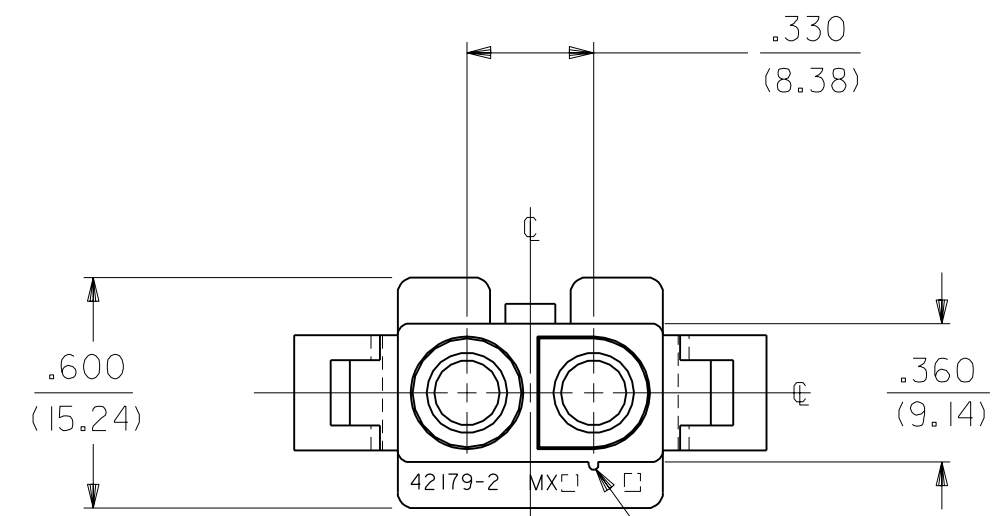
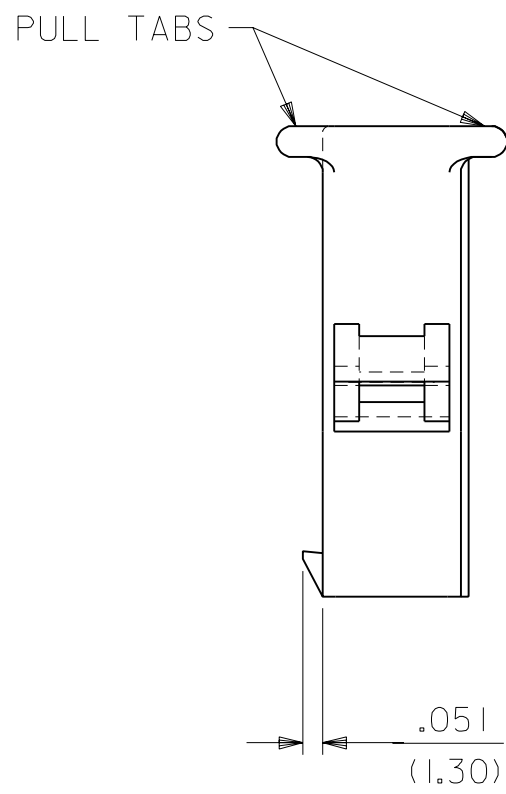
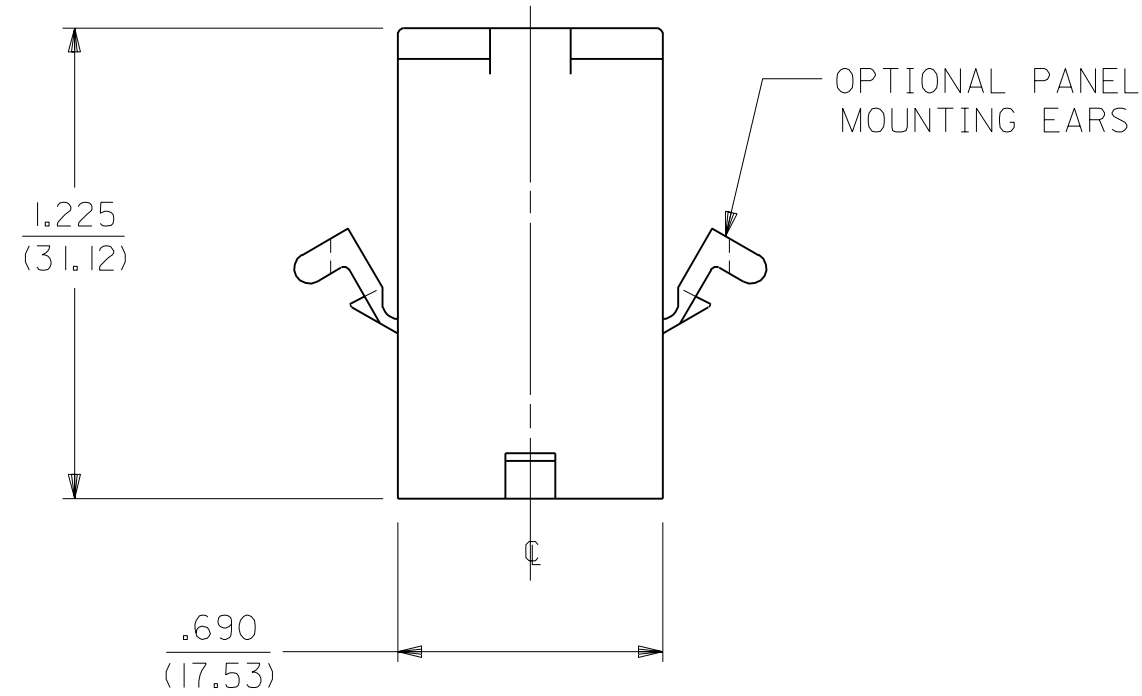
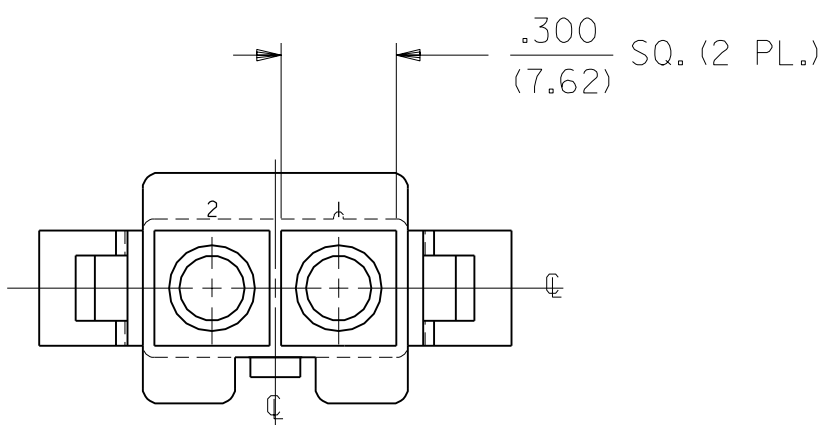


RECEPTACLE

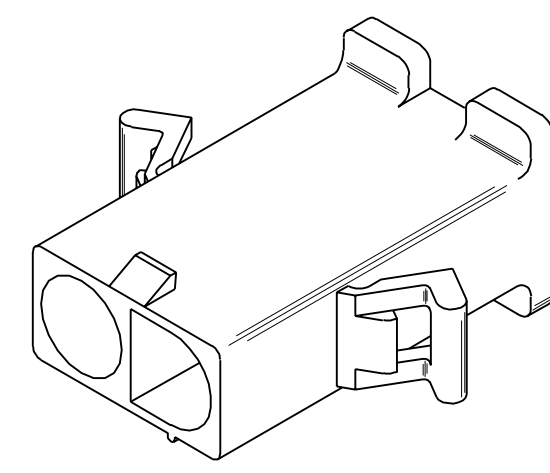
H	OBSOLETE P/N's UCR2002-0270 COMERC1 01/9/18
G1	REVISED UCR 1998-0128 WANG 98-04-09
G	REL. -2P IRD, -2R IRD ECN #U4 0209 RW 2-14-94
F2	ADD -2P IRD, -2R IRD ECN #U4 0109 RW 1-25-94
F1	REL. -2R IBK, -2PB ECN #U3 0685 RW 4-6-93
F	DEL 94V-0 MAT'L ECR U2-1699 AFG 92-11-20 RW
E	REVISE PER ECR U2 0211 CVC 2/10/92 RW
D	REVISED PER ECR #U00189 7-5-90 TRM
C	REVISED LATCH ECR # U90011 KBW 03-31-89 RW
B	REV. PICTORIALY ECR U8 2272 GEP 12-15-88 RW
A	REV. & FINAL REL. ERO 27381 GEP 10-18-88 RW

3	H		
2	G1		
1	H		
MFG.	SH.	REV.	LTR.
REVISIONS			

DIMENSIONS SHOWN (METRIC) INCH UNLESS OTHERWISE SPECIFIED TOLERANCES: ANGULAR ± 10°		▽ = 0 ▼ = 0		REVISE ONLY ON CAD SYSTEM													
<table border="1"> <tr> <th></th> <th>INCH</th> <th>METRIC</th> </tr> <tr> <td>3 PLACE</td> <td>± .007</td> <td>---</td> </tr> <tr> <td>2 PLACE</td> <td>± .010</td> <td>± 0.18</td> </tr> <tr> <td>1 PLACE</td> <td>---</td> <td>± 0.25</td> </tr> </table>			INCH	METRIC	3 PLACE	± .007	---	2 PLACE	± .010	± 0.18	1 PLACE	---	± 0.25	TITLE .125/(3.17) HOUSING, PLUG & RECEPTACLE, 2 CKT., .330/(8.38) CTR.			
	INCH	METRIC															
3 PLACE	± .007	---															
2 PLACE	± .010	± 0.18															
1 PLACE	---	± 0.25															
DRAFT WHERE APPLICABLE MUST REMAIN WITHIN DIMENSIONS		MOLEX INCORPORATED LITLLE, ILL. 60532 U.S.A.		SHEET NO. 1 OF 3 DATE 7/26/88													
DRWG. BY GEP APP'D. RAS		CHK'D. BY RW SCALE 2 : 1		PART NO. SEE CHART DRWG. NO. SD-42179-2*													
		FILE NAME S421792X1 DGN		THIS DRAWING CONTAINS INFORMATION THAT IS PROPRIETARY TO MOLEX INC. AND SHOULD NOT BE USED WITHOUT WRITTEN PERMISSION.													



RIB TO IDENTIFY CKT. NO. 1



PLUG

DIMENSIONS SHOWN (METRIC) INCH		▽ = 0	▼ = 0	REVISE ONLY ON CAD SYSTEM
UNLESS OTHERWISE SPECIFIED TOLERANCES: ANGULAR ± 10°		TITLE		
		.125/(3.17) HOUSING, PLUG & RECEPTACLE, 2 CKT., .330/(8.38) CTR.		
		MOLEX INCORPORATED		
		LITSLLE, ILL. 60532 U.S.A.		
		SHEET NO. 2 DATE 7/26/88		
		PART NO. SD-42179-2*		
		SEE CHART		
		THIS DRAWING CONTAINS INFORMATION THAT IS PROPRIETARY TO MOLEX INC. AND SHOULD NOT BE USED WITHOUT WRITTEN PERMISSION.		
		DIV. CP SIZE C		

DRWG. BY	GEP	CHK'D. BY	RW
APP'D. BY	RAS	SCALE	2 : 1
LTR.	REVISIONS	LTR.	REVISIONS

PLUG		
PART NO.	ENG. NO.	
03-12-2026	42179-2P1	
03-12-2025	42179-2P	
03-12-7021	42179-2PBK	OBSOLETE
03-12-7022	42179-2PIRD	OBSOLETE

RECEPTACLE		
PART NO.	ENG. NO.	
03-12-1026	42179-2R1	
03-12-6021	42179-2R1BK	OBSOLETE
03-12-6022	42179-2R1RD	OBSOLETE

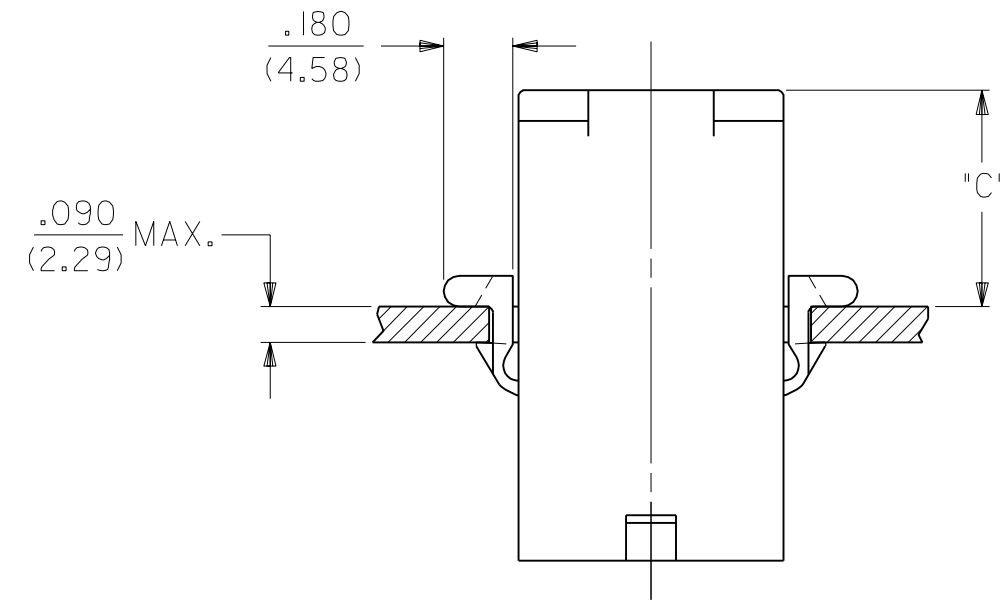
LEGEND:

42179-2****-*

CIRCUIT SIZE: _____
HOUSING TYPE: _____
P = PLUG
R = RECEPTACLE
MOUNTING EAR OPTION: _____
BLANK = WITH PREBENT EARS, PLUG ONLY
I = WITHOUT EARS

COLOR: _____
BLANK = 94V-2: TRANSLUCENT NATURAL COLOR
AM=AMBER BK=BLACK BU=BLUE
BN=BROWN GY=GRAY GN=GREEN
OR=ORANGE RD=RED YW=YELLOW

MATERIAL: _____
BLANK = NYLON 6/6, U.L. 94V-2



RECOMMENDED HOLE CUTOUT

HOUSING	DIM. "A"	DIM. "B"	DIM. "C"
PLUG	.851/(21.62)	.440/(11.18)	.57/(14.5)

NOTES:

- PART ACCEPTS A MAXIMUM .250/(6.35) INSULATION DIA.
- FOR USE WITH MOLEX .125/(3.17) DIAMETER SERIES TERMINALS EXCEPT THE 1219/1220 SERIES.
- THIS PART IS THE SAME AS 42348-2 EXCEPT FOR POLARIZATION OF FIRST CIRCUIT.

		F2	SEE SHEET I
		F1	SEE SHEET I
		F	SEE SHEET I
		D	SEE SHEET I
H	SEE SHEET I	B	SEE SHT. I
GI	SEE SHEET I	A	SEE SHT. I
G	SEE SHEET I	I	SEE SHT. I
LTR.	REVISIONS	LTR.	REVISIONS

DIMENSIONS SHOWN (METRIC) INCH	
UNLESS OTHERWISE SPECIFIED TOLERANCES: ANGULAR ± 0.1°	
INCH	METRIC
3 PLACE ± .007	---
2 PLACE ± .010	± 0.18
1 PLACE ---	± 0.25

DRAFT WHERE APPLICABLE MUST REMAIN WITHIN DIMENSIONS

▽ = 0	▼ = 0	REVISE ONLY ON CAD SYSTEM
TITLE .125/(3.17) HOUSING, PLUG AND RECEPTACLE, 2 CKT., .330/(8.38) CTR.		
MOLEX INCORPORATED LITSLIE, ILL. 60532 U.S.A.		SHEET NO. 3 DATE 7/26/88
PART NO. SD-42179-2*		DRWG. NO.
SEE CHART		FILE NAME S421792X3 DGN
THIS DRAWING CONTAINS INFORMATION THAT IS PROPRIETARY TO MOLEX INC. AND SHOULD NOT BE USED WITHOUT WRITTEN PERMISSION.		DIV. CP SIZE C

42179

A