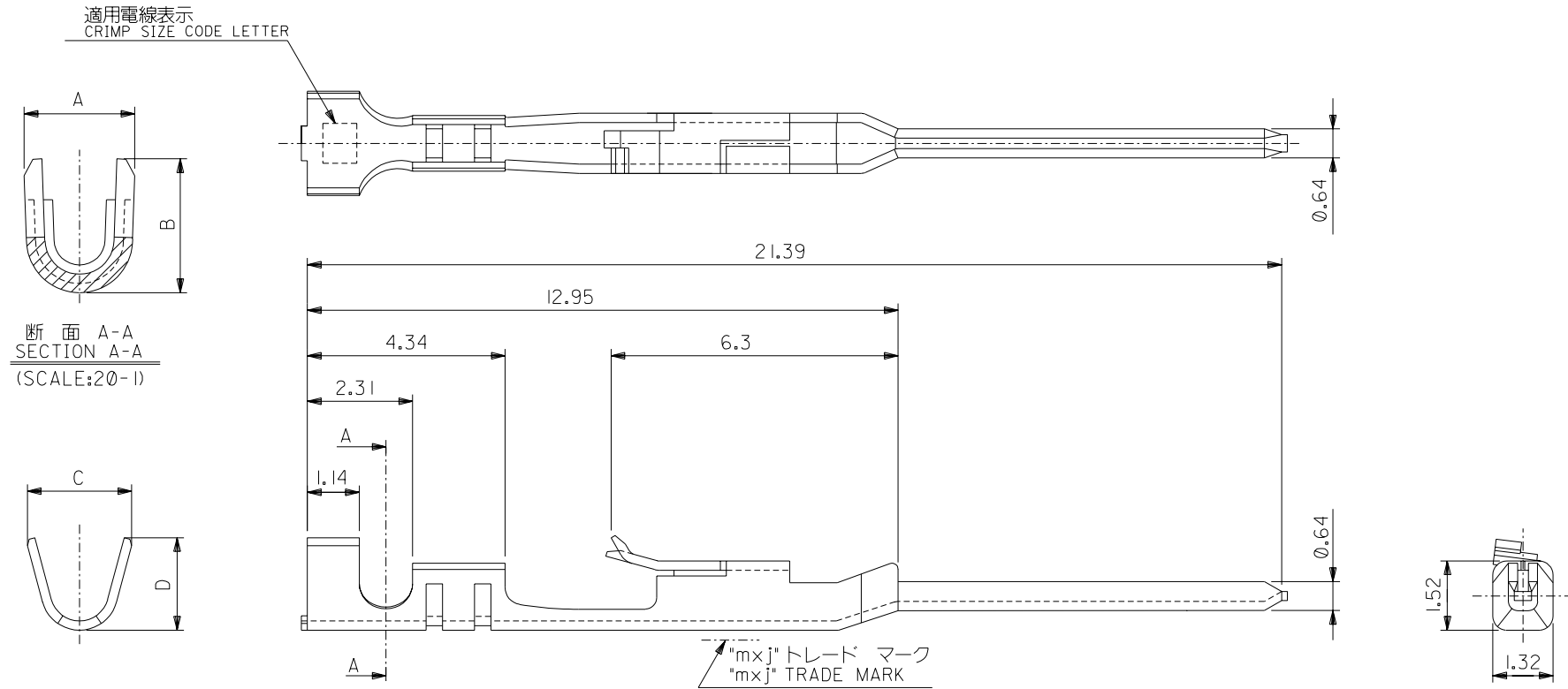


DIMENSIONS IN METRIC DO NOT SCALE DRAWING

ENG. NO. 0*04
SD-70021-0*21

EDP NO. #

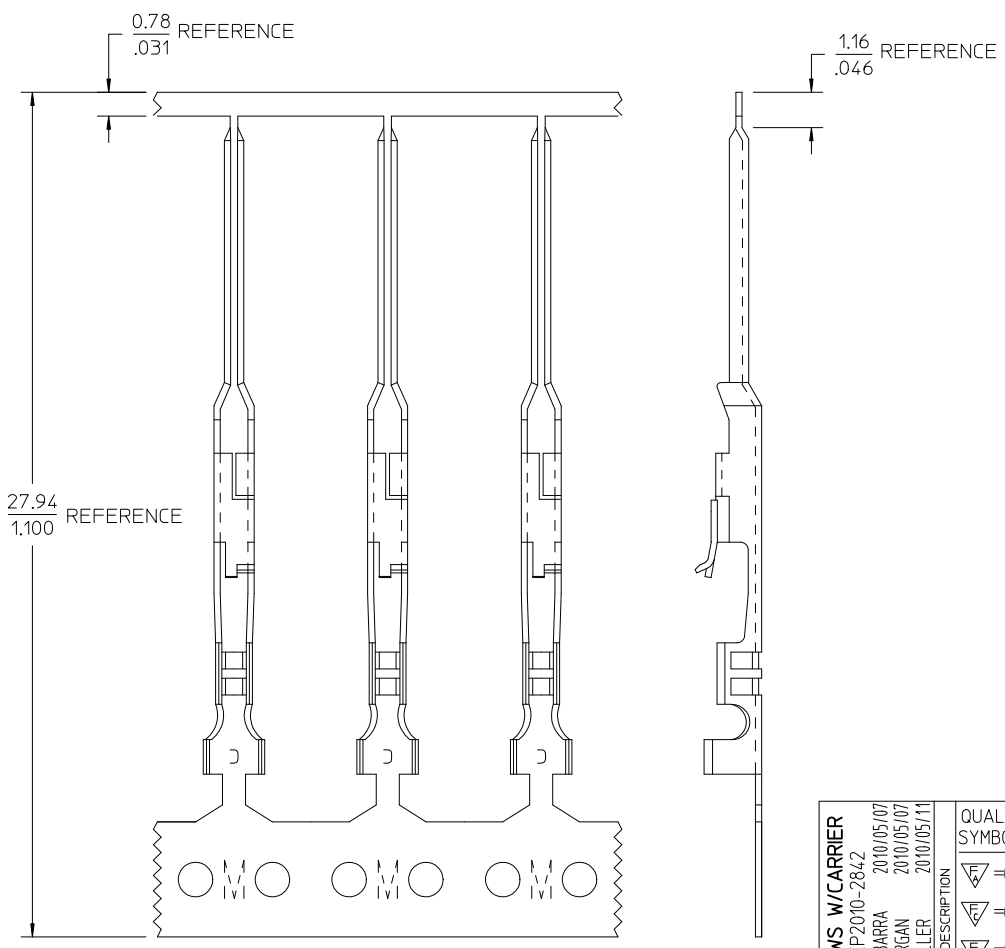
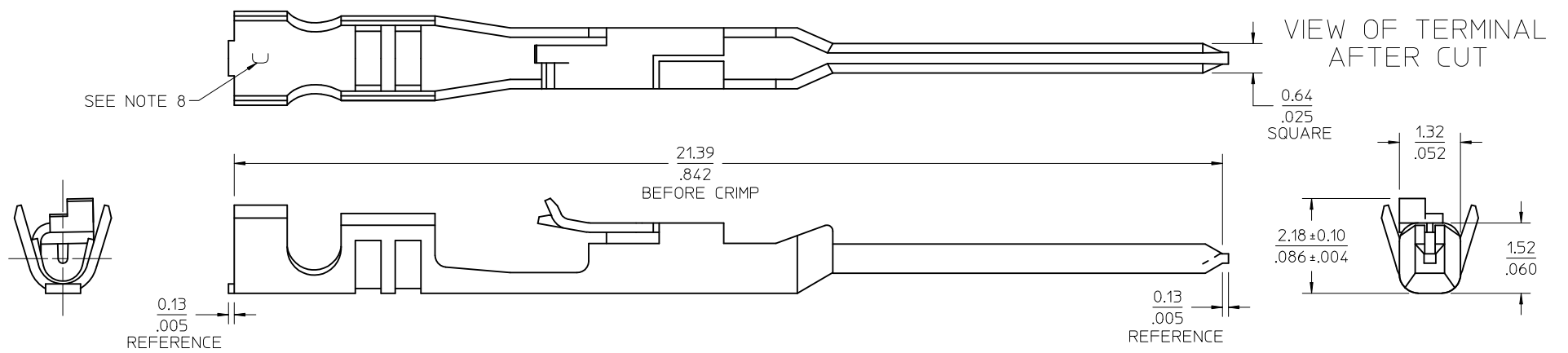


注記:
NOTES:

- 適合ハウジング: 70066-****, 70107-****
APPLICABLE HOUSING: 70066-****, 70107-****
- 仕上げ ニッケル下地、錫メッキ
FINISH TIN OVER NICKEL PLATING

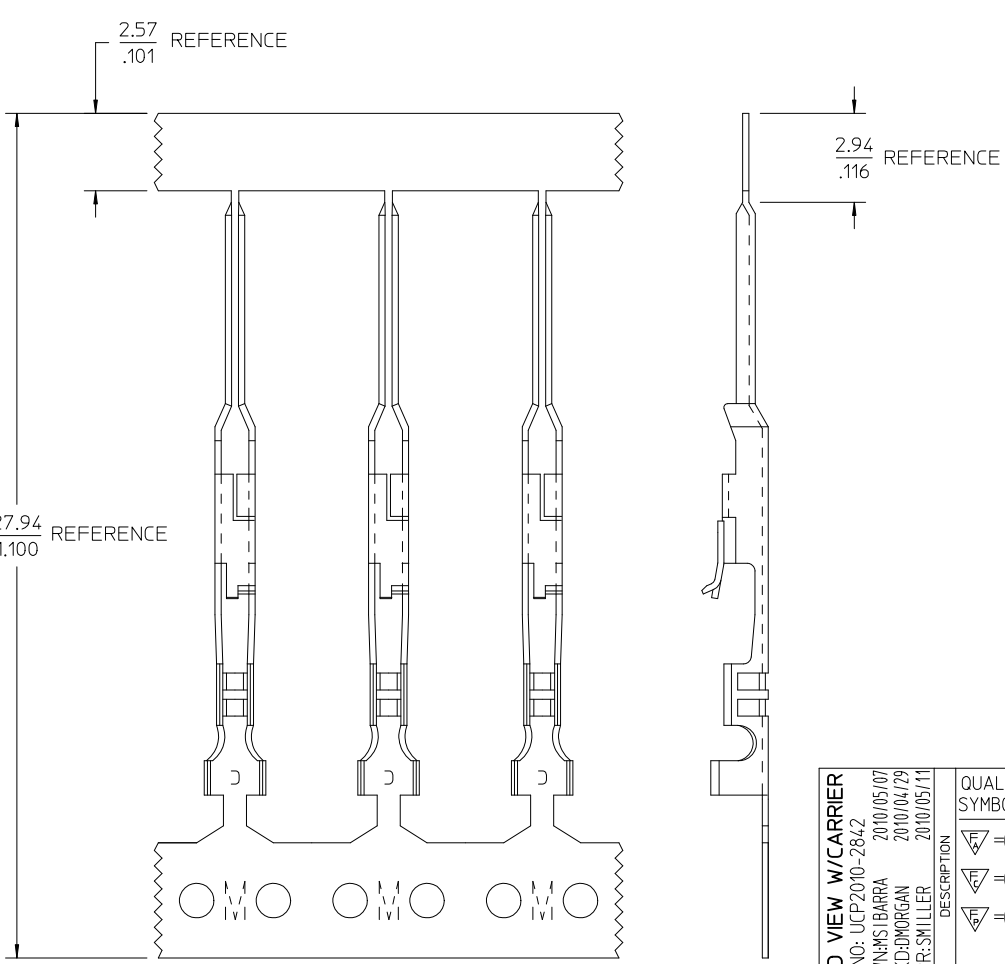
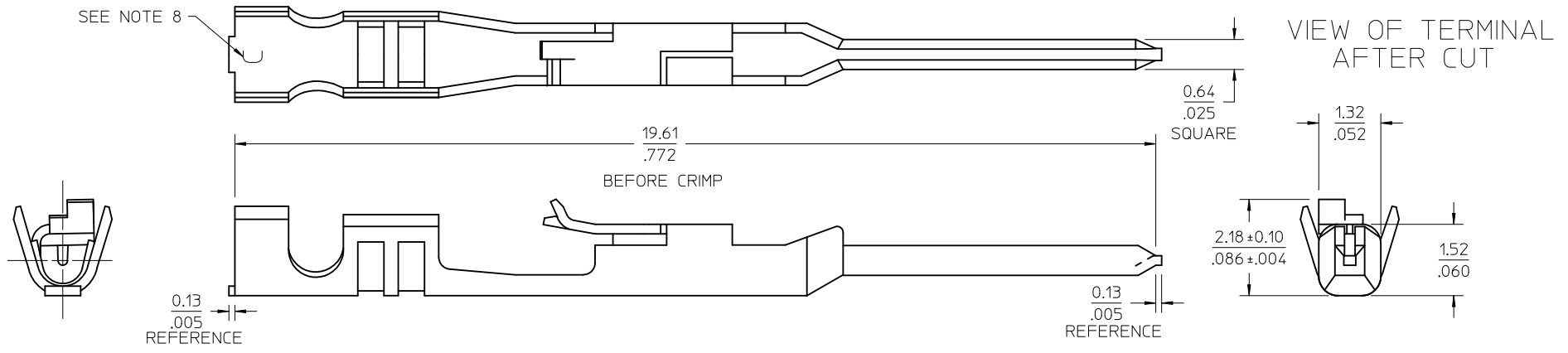
1.91	2.1	1.47	1.22	A	適用電線表示 CRIMP SIZE CODE LETTER	被覆外径 INS. RANGE	適用電線範囲 WIRE RANGE	バラ状 LOOSE	70021-0204
1.91	2.1	1.65	1.84	C				AWC#24-#30	連鎖状 CHAIN
D	C	B	A					バラ状 LOOSE	70021-0221
								連鎖状 CHAIN	70021-0021
								端子形状 FORM	MATERIAL No.
材料 MATERIAL								燐青銅 PHOSPHOR BRONZE	
								t 0.203	
仕上げ FINISH								注記参照 SEE NOTES	
適用電線範囲 WIRE RANGE								表参照 SEE CHART	
被覆外径 INS. RANGE								表参照 SEE CHART	
DRAWN BY A. Mitake								CHK'D BY A.A.	
APP'D BY S. Yamada								M. 8/80	
REVISION RECORD								尺度 SCALE 10-1	
角 度 ANGLE								TITLE 名称	
30°以上 OVER	+3°	B	変 更 REVISED (J2004-4519)	Y.W.	M.S.	04/05/31	SL MALE CRIMP TERMINAL -LEAD FREE-		
10°以上 OVER	+0.3	A	変 更 REVISED (T20159)	H.I.	H.I.	19/5/20	ENG. NO.	REV	
10°未満 UNDER	+0.25	0	新規作成 RELEASED (T00110)	N.M.S.	M.S.	19/4/6	SD-70021- 0*04	B	
10°未満 UNDER	+0.2		変更内容 REVISION RECORD	DR. CHK.			0*21		
一般公差 GENERAL TOLERANCES								REVISE ONLY ON CAD SYSTEM	

THIS DRAWING CONTAINS INFORMATION THAT IS PROPRIETARY TO MOLEX(JAPAN) AND SHOULD NOT BE USED WITHOUT WRITTEN PERMISSION
本図面は日本モレックス(株)の所有する情報を含むもので 当社の許可なく複製を禁止する。



- NOTES:
1. MATERIAL: PHOSPHOR BRONZE, 0.20/.008 THICK
 2. FINISH: 3.81 MICROMETERS/150 MICROINCHES TIN OVER NICKEL UNDERPLATE OVERALL
 3. PRODUCT SPECIFICATION: PS-70021
 4. PACKAGING: PARTS SUPPLIED IN REEL FORM
 5. TERMINAL FOR USE WITH: 70066-**** & 70107-**** HOUSINGS
 6. TERMINAL TO BE USED WITH: 22-24 AWG STRANDED WIRE WITH .064 DIAMETER MAXIMUM INSULATION
 7. REFER TO MOLEX OPERATIONAL AND SERVICE MANUAL FOR DETAILS
 8. CRIMP SIZE INDICATOR: C=22-24 AWG

ADD VIEWS W/CARRIER EC NO: UCP2010-2842 DRW:MSIBARRA 2010/05/07 CHKD:MORGAN 2010/05/07 APPR:SMILLER 2010/05/11	QUALITY SYMBOLS ▽=0 ▽=0 ▽=0	GENERAL TOLERANCES (UNLESS SPECIFIED)		DIMENSION STYLE IN/MM		SCALE	DESIGN UNITS INCH	THIRD ANGLE PROJECTION		
		mm	INCH	DRAWN BY MSIBARRA	DATE 2010/05/07	TITLE TERMINAL, MALE CRIMP				
		4 PLACES ± ---	± ---	CHECKED BY MJM	DATE 1986/10/30	APPROVED BY SMILLER				
		3 PLACES ± ---	± .005	MATERIAL NO. 16-02-0107	DATE 2010/05/11	DOCUMENT NO. SD-70021-0021				
2 PLACES ± .13	± .01	DRAFT WHERE APPLICABLE MUST REMAIN WITHIN DIMENSIONS		SIZE C	THIS DRAWING CONTAINS INFORMATION THAT IS PROPRIETARY TO MOLEX INCORPORATED AND SHOULD NOT BE USED WITHOUT WRITTEN PERMISSION					
1 PLACE ± 0.25	± ---	ANGULAR ± 1/2°				SHEET NO. 1 OF 1				



- NOTES:
1. MATERIAL: PHOSPHOR BRONZE, 0.20/008 THICK
 2. FINISH: 3.81 MICROMETERS/150 MICROINCHES TIN OVER NICKEL UNDERPLATE OVERALL
 3. PRODUCT SPECIFICATION: PS-70021
 4. PACKAGING: PARTS SUPPLIED IN REEL FORM
 5. TERMINAL FOR USE WITH: 70066-**** & 70107-**** HOUSINGS
 6. TERMINAL TO BE USED WITH: 22-24 AWG STRANDED WIRE WITH .064 DIAMETER MAXIMUM INSULATION
 7. REFER TO MOLEX OPERATIONAL AND SERVICE MANUAL FOR DETAILS
 8. CRIMP SIZE INDICATOR: C=22-24 AWG

ADD VIEW W/CARRIER EC NO: UCP2010-2842 DRW:MSI.BARRA 2010/05/07 CHKD:DMORGAN 2010/04/29 APPR:SMILLER 2010/05/11	QUALITY SYMBOLS 	GENERAL TOLERANCES (UNLESS SPECIFIED)		DIMENSION STYLE MM/IN		SCALE 15:1	DESIGN UNITS INCH	THIRD ANGLE PROJECTION			
		4 PLACES ± --- ± ---	3 PLACES ± --- ± .010	DRAWN BY MSI.BARRA	DATE 2010/04/29	TERMINAL, MALE CRIMP					
		2 PLACES ± 0.25 ± .015	1 PLACE ± 0.35 ± ---	CHECKED BY DMORGAN	DATE 2010/04/29	MOLEX INCORPORATED					
		ANGULAR ± 1/2°		APPROVED BY SMILLER	DATE 2010/05/11	MATERIAL NO. 70021-1021		DOCUMENT NO. SD-70021-1021		SHEET NO. 1 OF 1	
DRAFT WHERE APPLICABLE MUST REMAIN WITHIN DIMENSIONS				SIZE C	THIS DRAWING CONTAINS INFORMATION THAT IS PROPRIETARY TO MOLEX INCORPORATED AND SHOULD NOT BE USED WITHOUT WRITTEN PERMISSION						

SCALE 8:1