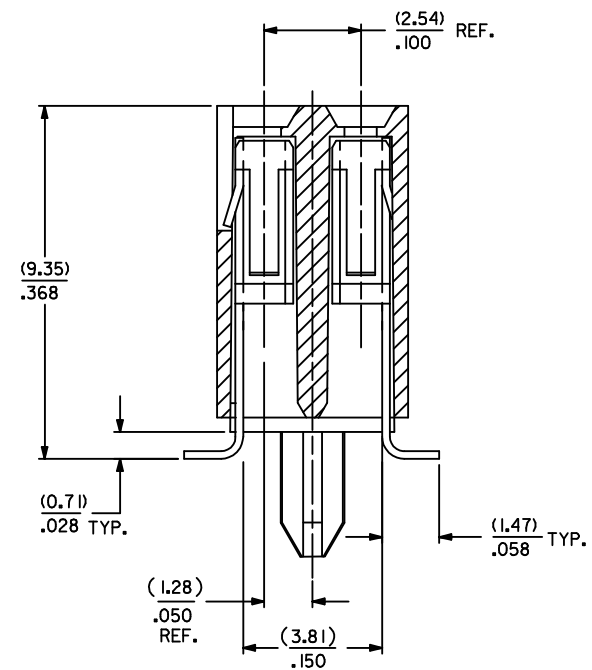


RECOMMENDED P.C. BOARD LAYOUT  
SCALE: 4:1



SECTION B-B

- VERSION WITH PCB RETENTION PEGS -

- NOTES:
- 1 - HOUSING MATERIAL: GLASS FILLED LIQUID CRYSTAL POLYMER; UL94-V0; COLOR: BLACK.
  - 2 - TERMINAL MATERIAL: PHOSPHOR BRONZE.
  - 3 - SEE SHEET 2 FOR CIRCUIT SIZES AND OVERALL DIMENSIONS.
  - 4 - SEE PRODUCT SPECIFICATION PS-71395 FOR PERFORMANCE CRITERIA.
  - 5 - STANDARD PACKAGING PER PK70873-0662 (TRAY PACK).
  - 6 - THE DESIGN OF THIS CONNECTOR ALLOWS THE TERMINAL SMT TAIL TO FLOAT (MOVE). BECAUSE OF THIS, THE (2.54)/.100 DIMENSION SHALL BE FOR REFERENCE ONLY.

ADD SLIDING FIT DIM. EC NO: UCP2013-5567 DRW:DMORGAN 2013/07/23 CHKD:KICAIN 2013/07/23 APPR:SMILLER 2016/03/17	QUALITY SYMBOLS ∇=0 ∇=0 ∇=0	GENERAL TOLERANCES (UNLESS SPECIFIED)		DIMENSION STYLE		SCALE	DESIGN UNITS	THIRD ANGLE PROJECTION <b>CONNECTOR DUAL ROW          VERTICAL SURFACE MOUNT          TOP ENTRY ON .100 GRID</b> <b>molex</b> DOCUMENT NO. SDA-71395-0*** SHEET NO. 1 OF 2
				MM/IN		10:1	INCH	
		4 PLACES ± ---	± ---	DRAWN BY	DATE	TITLE		
		3 PLACES ± ---	± .010	DMORGAN	2013/07/23	CHECKED BY		
2 PLACES ± 0.25	± .014	RB	12/03/1985	DATE				
1 PLACE ± 0.35	± ---	APPROVED BY	DATE	MATERIAL NO.				
0 PLACE ± ---	± ---	SMILLER	2016/03/17	SEE TABLE				
ANGULAR ±1/2°		DRAFT WHERE APPLICABLE MUST REMAIN WITHIN DIMENSIONS		THIS DRAWING CONTAINS INFORMATION THAT IS PROPRIETARY TO MOLEX INCORPORATED AND SHOULD NOT BE USED WITHOUT WRITTEN PERMISSION				



