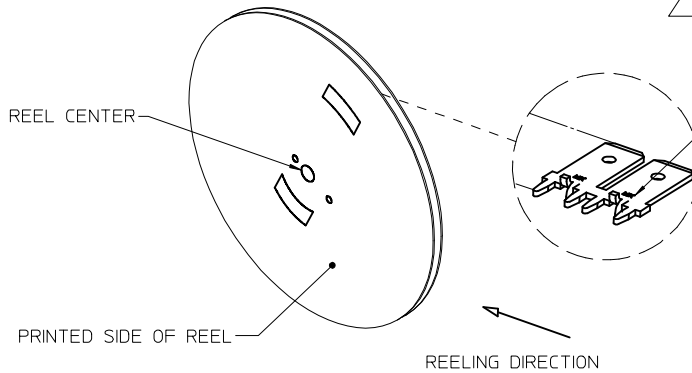
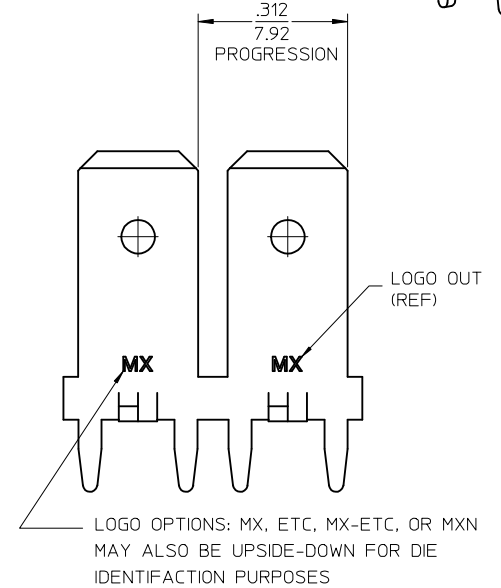
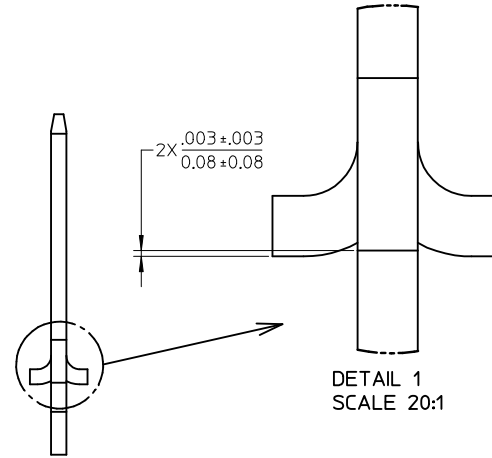
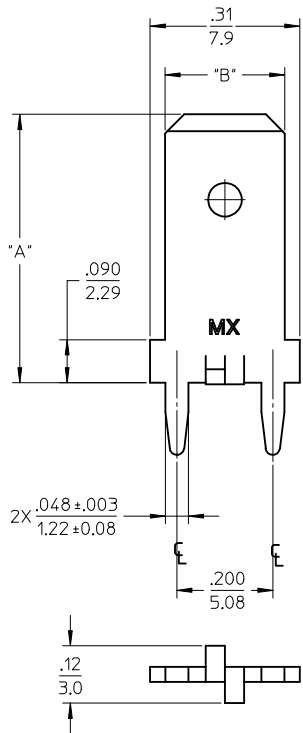
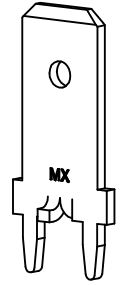
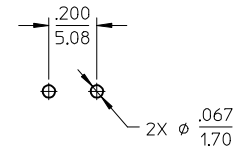


MATERIAL NUMBER	ENGINEERING NUMBER	CARRIER	LOGO ORIENTATION	DIMENSION "A"	DIMENSION "B"
197054003	19705-4003	STRIP	IN	.560/14.22	.250/6.35
197054103	19705-4103	STRIP	IN	.560/14.22	.187/4.75
197054105	19705-4105	STRIP	OUT	.560/14.22	
197054203	19705-4203	STRIP	IN	.405/10.29	.250/6.35
197054204	19705-4204	STRIP	OUT	.405/10.29	
197054001	19705-4001	LOOSE	-	.560/14.22	.250/6.35
197054101	19705-4101	LOOSE	-	.560/14.22	.187/4.75
197054201	19705-4201	LOOSE	-	.405/10.29	.250/6.35

(L2)

RECOMMENDED PCB HOLE LAYOUT



NOTES:

1. BARE EDGES PERMISSIBLE AT CARRIER CUT OFF.
2. MATERIAL: BRASS C26000 (.032/0.81) THICK.
3. TAB CONFORMS TO NEMA SPECIFICATIONS.
4. ALL DIMENSIONS AND NOTES REFERENCE UNLESS OTHERWISE NOTED.
5. PLATING: MATTE TIN OVER NICKEL 150µ IN/3.81 µ mm MINIMUM THICKNESS OVER NICKEL 50µ IN/1.25µ mm MINIMUM THICKNESS.
6. 24" DIAMETER REEL WITH A 1.25" DIAMETER CENTER HOLE.
7. PART IS RoHS COMPLIANT

DEL QTY FROM CHART EC NO: IPG2016-0229 DRAWING NO: JAS01 CHKD: JMACNEIL APPR: JMACNEIL	QUALITY SYMBOLS ▽=0 ▽=0	GENERAL TOLERANCES (UNLESS SPECIFIED)		DIMENSION STYLE IN/MM	SCALE 5:1	DESIGN UNITS INCH	THIRD ANGLE PROJECTION
		mm	INCH	DRAWN BY EDB	DATE 11/08/96	TITLE QUICK DISCONNECT PCB MOUNTABLE .250 & .187 X .032 TAB	
REV L2	DESCRIPTION	4 PLACES	± .005	± .005	CHECKED BY JH	DATE 11/08/96	MATERIAL NO. DOCUMENT NO.
		3 PLACES	± .01	± .01	APPROVED BY RWD	DATE 11/08/96	
DRAFT WHERE APPLICABLE MUST REMAIN WITHIN DIMENSIONS		2 PLACES	± 0.25	± .005	MATERIAL NO. SEE CHART		
		1 PLACE	± 0.25	± .005	DOCUMENT NO. SD-19705-400		
		ANGULAR ±1/2°		SIZE C		SHEET NO. 1 OF 1	
THIS DRAWING CONTAINS INFORMATION THAT IS PROPRIETARY TO MOLEX INCORPORATED AND SHOULD NOT BE USED WITHOUT WRITTEN PERMISSION							