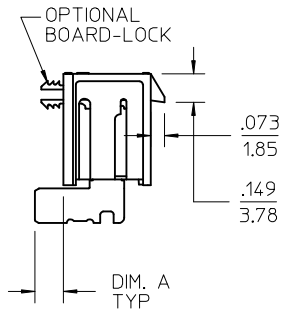
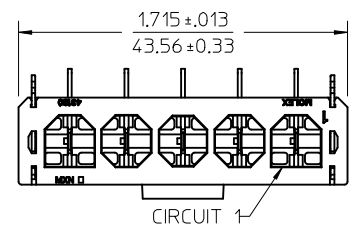
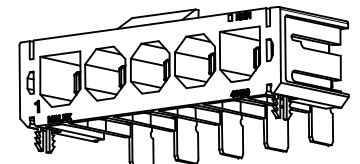
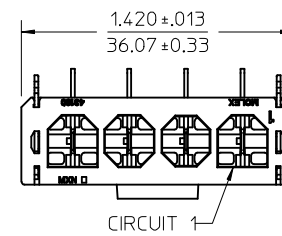
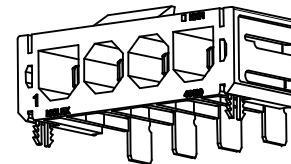
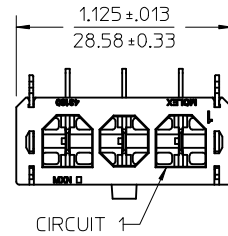
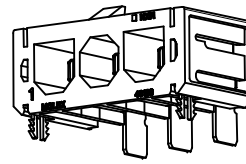
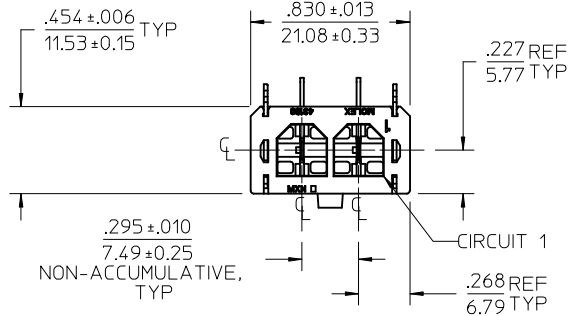
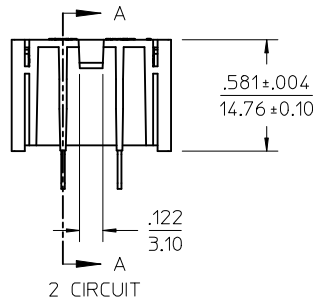


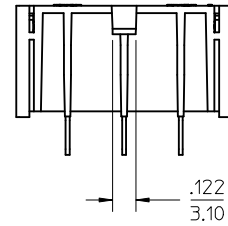
SECTION A-A  
TYP



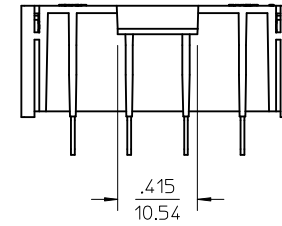
SIDE VIEW, TYP



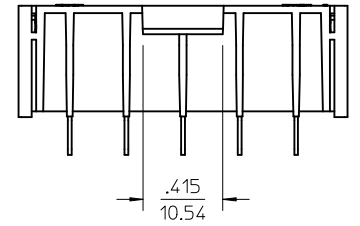
2 CIRCUIT



3 CIRCUIT



4 CIRCUIT



5 CIRCUIT

NOTES:

- MATERIALS  
HOUSING: GLASS-FILLED, LIQUID CRYSTAL POLYMER (LCP), UL94V-0, LOW-HALOGEN, GLOW-WIRE CAPABLE, COLOR: BLACK  
TERMINALS: ETP COPPER
- FINISHES:  
.000100/.00254 MIN SELECT SILVER AND .000100/.00254 MIN SELECT MATTE TIN OVER NICKEL OVERALL
- PRODUCT SPECIFICATION:  
PS-171825-001
- PACKAGING INFORMATION:  
PK-43789-001 (TRAY PACK)
- MATES WITH:  
171825 FEMALE CRIMP TERMINALS  
172672 RECEPTACLE HOUSINGS
- THIS PART CONFORMS TO CLASS B REQUIREMENTS OF COSMETIC SPEC PS-45499-002.
- HEADERS INDICATED AS "FINGER-PROOF" ARE DESIGNED TO MINIMIZE ACCESSIBILITY TO LIVE PARTS, PER UL 1977 AND UL 60950 FINGER PROBE REQUIREMENTS.
- SLOTTED VIAS, PLATED THRU. MOLEX RECOMMENDS ANNULAR RING DESIGN PARAMETERS AS SPECIFIED IN IPC-2221, GENERIC STANDARD ON PRINTED BOARD DESIGN.
- 118/3.00 MOUNTING-HOLES (NON-PLATED) FOR OPTIONAL BOARD-LOCKS SHOWN.

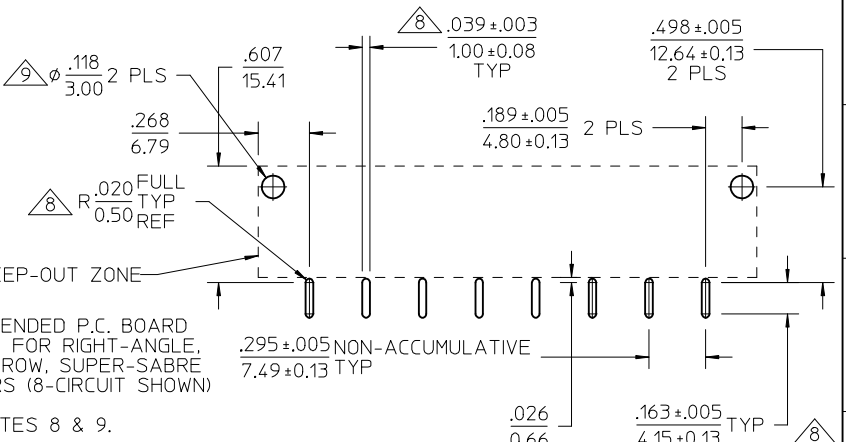
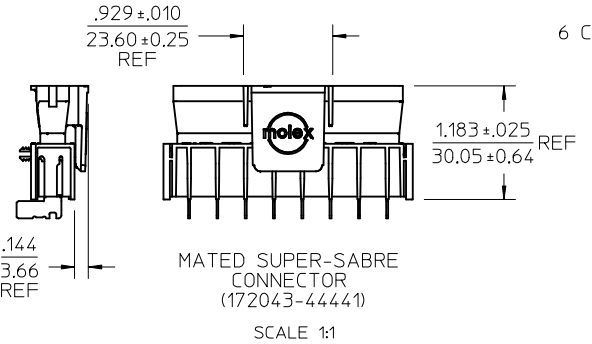
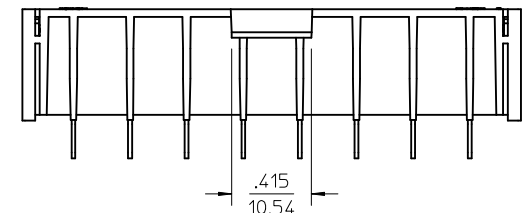
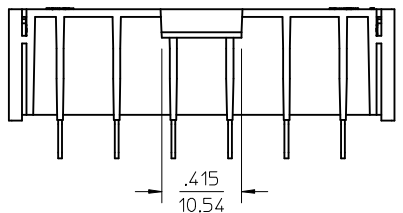
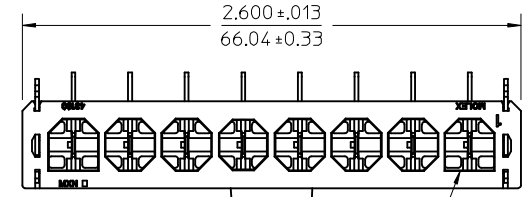
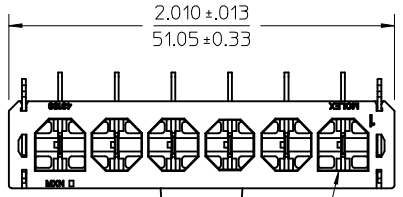
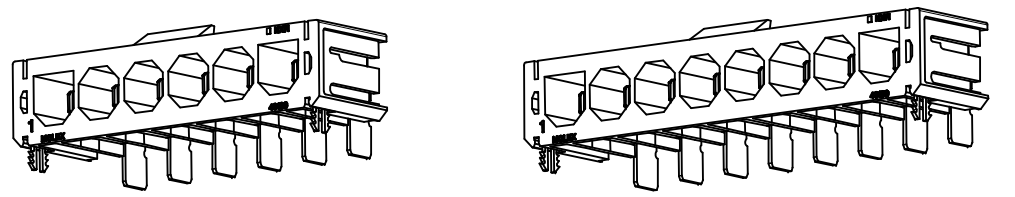
SECTION A-A EC NO: UCP2016-0143 2015/07/10 DRAWN: MONTI 2015/07/14 CHKD: BANDERSON 2015/07/23 APPR: FSMITH	QUALITY SYMBOLS ▽=0 ▽=0 ▽=0	GENERAL TOLERANCES (UNLESS SPECIFIED)		DIMENSION STYLE IN/MM		SCALE 2:1	DESIGN UNITS INCH	THIRD ANGLE PROJECTION		
		4 PLACES ± --- ± ---	3 PLACES ± --- ± .005	2 PLACES ± .13 ± .010	1 PLACE ± 0.25 ± ---	0 PLACE ± --- ± ---	DRAWN BY BANDERSON		DATE 2013/06/21	TITLE SUPER-SABRE RIGHT-ANGLE HEADER ASSY SINGLE-ROW
		ANGULAR ±1/2°		DRAFT WHERE APPLICABLE MUST REMAIN WITHIN DIMENSIONS		APPROVED BY FSMITH		DATE 2013/12/06	DOCUMENT NO. SD-172043-001	
		SIZE C		THIS DRAWING CONTAINS INFORMATION THAT IS PROPRIETARY TO MOLEX INCORPORATED AND SHOULD NOT BE USED WITHOUT WRITTEN PERMISSION						

MATERIAL NUMBER*	CIRCUIT SIZE	SOLDER-TAIL	FINGER-PROOF	BOARD-LOCK
1720430201	2	SHORT	YES	NO
1720430202	2	SHORT	YES	YES
1720430203	2	SHORT	NO	NO
1720430204	2	SHORT	NO	YES
1720430205	2	LONG	YES	NO
1720430206	2	LONG	YES	YES
1720430207	2	LONG	NO	NO
1720430208	2	LONG	NO	YES
1720430301	3	SHORT	YES	NO
1720430302	3	SHORT	YES	YES
1720430303	3	SHORT	NO	NO
1720430304	3	SHORT	NO	YES
1720430305	3	LONG	YES	NO
1720430306	3	LONG	YES	YES
1720430307	3	LONG	NO	NO
1720430308	3	LONG	NO	YES
1720430401	4	SHORT	YES	NO
1720430402	4	SHORT	YES	YES
1720430403	4	SHORT	NO	NO
1720430404	4	SHORT	NO	YES
1720430405	4	LONG	YES	NO
1720430406	4	LONG	YES	YES
1720430407	4	LONG	NO	NO
1720430408	4	LONG	NO	YES
1720430501	5	SHORT	YES	NO
1720430502	5	SHORT	YES	YES
1720430503	5	SHORT	NO	NO
1720430504	5	SHORT	NO	YES
1720430505	5	LONG	YES	NO
1720430506	5	LONG	YES	YES
1720430507	5	LONG	NO	NO
1720430508	5	LONG	NO	YES
1720430601	6	SHORT	YES	NO
1720430602	6	SHORT	YES	YES
1720430603	6	SHORT	NO	NO
1720430604	6	SHORT	NO	YES
1720430605	6	LONG	YES	NO
1720430606	6	LONG	YES	YES
1720430607	6	LONG	NO	NO
1720430608	6	LONG	NO	YES
1720430801	8	SHORT	YES	NO
1720430802	8	SHORT	YES	YES
1720430803	8	SHORT	NO	NO
1720430804	8	SHORT	NO	YES
1720430805	8	LONG	YES	NO
1720430806	8	LONG	YES	YES
1720430807	8	LONG	NO	NO
1720430808	8	LONG	NO	YES

SOLDER-TAIL	DIM. "A" ±.020/0.51
SHORT	.150/3.81
LONG	.210/5.33

FINGER-PROOF	DIM. "B" (REF)
YES	.129/3.26
NO	.083/2.10



<b>SEE SHEET 1</b> EC NO: UCP2016-0143 DRAWN: MONTI 2015/07/10 CHKD: BANDERSON 2015/07/14 APPR: FSMITH 2015/07/23	QUALITY SYMBOLS ▽=0 ▽=0 ▽=0	GENERAL TOLERANCES (UNLESS SPECIFIED)	DIMENSION STYLE <b>IN/MM</b>	SCALE <b>2:1</b>	DESIGN UNITS <b>INCH</b>	THIRD ANGLE PROJECTION	
		4 PLACES ± --- ± --- 3 PLACES ± --- ± .005 2 PLACES ± 0.13 ± .010 1 PLACE ± 0.25 ± --- 0 PLACE ± --- ± ---	DRAWN BY BANDERSON	DATE 2013/06/21	TITLE <b>SUPER-SABRE RIGHT-ANGLE HEADER ASSY SINGLE-ROW</b>		
		ANGULAR ±1/2°	APPROVED BY FSMITH	DATE 2013/12/06	<b>molex</b>		
		DRAFT WHERE APPLICABLE MUST REMAIN WITHIN DIMENSIONS	MATERIAL NO. <b>SEE CHART</b>	DOCUMENT NO. <b>SD-172043-001</b>	SHEET NO. <b>2 OF 2</b>		

THIS DRAWING CONTAINS INFORMATION THAT IS PROPRIETARY TO MOLEX INCORPORATED AND SHOULD NOT BE USED WITHOUT WRITTEN PERMISSION