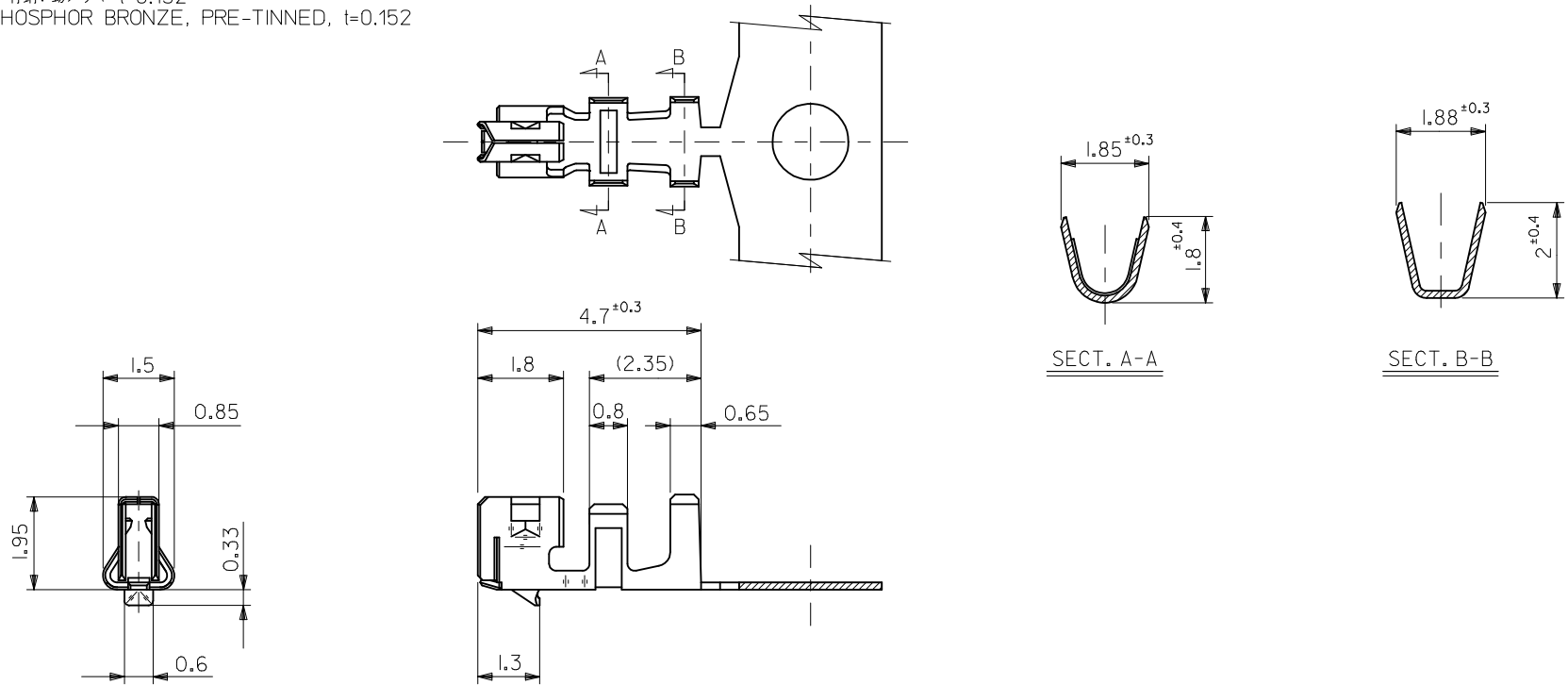


注記
NOTES

適用ハウジング: 51089, 51090, 51065 シリーズ
 APPLICABLE HOUSING: 51089, 51090, 51065 SERIES

材質 MATERIAL
 リン青銅、錫メッキ t=0.152
 PHOSPHOR BRONZE, PRE-TINNED, t=0.152



50372-8100	バラ状 LOOSE
50372-8000	連鎖状 CHAIN
ENG.NO.	端子形状 FORM

RELEASED EC NO: J2014-0578 DRWN: YWAKE 2013/09/27 CHKD: KASAKAWA 2013/09/27 APPR: NUKITA 2013/10/02	GENERAL TOLERANCES (UNLESS SPECIFIED)		DIMENSION STYLE MM ONLY	SCALE 10:1	DESIGN UNITS METRIC	THIRD ANGLE PROJECTION
	10 UNDER	± 0.2	DRAWN BY YWAKE	DATE 2013/09/27	TITLE NEW 2.0 W/B CONN. CRIMP RECEPTACLE	
	10 OVER 30 UNDER	± 0.25	CHECKED BY KASAKAWA	DATE 2013/09/27		
	30 OVER	± 3	APPROVED BY NUKITA	DATE 2013/10/02		
ANGULAR	± 3 °	MATERIAL NO.	SEE CHART	DOCUMENT NO.	molex SD-50372-001	
DRAFT WHERE APPLICABLE MUST REMAIN WITHIN DIMENSIONS		SIZE A3	THIS DRAWING CONTAINS INFORMATION THAT IS PROPRIETARY TO MOLEX INCORPORATED AND SHOULD NOT BE USED WITHOUT WRITTEN PERMISSION			

DWG. NO.
SD-50372-8*00

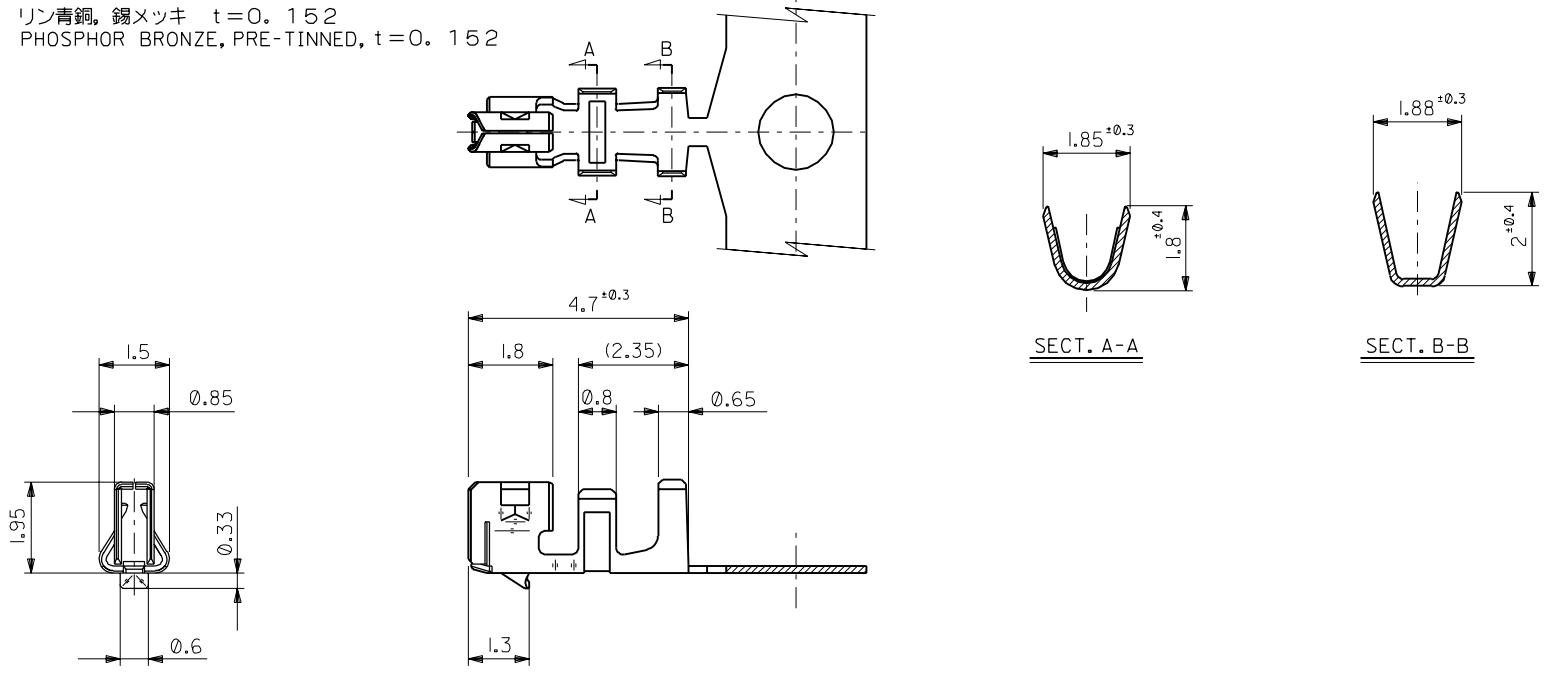
MM DIMENSIONS IN METRIC DO NOT SCALE DRAWING

注記
NOTES

★ 1. 適用ハウジング : 51089-***05, 51090-***00
 APPLICABLE HOUSING : 51089-***05, 51090-***00

2. 材質 MATERIAL

リン青銅, 錫メッキ t=0.152
 PHOSPHOR BRONZE, PRE-TINNED, t=0.152



50372-8100	バラ状 LOOSE
50372-8000	連鎖状 CHAIN
ENG.NO.	端子形状 FORM

材料 MATERIAL		注記参照 SEE NOTES		molex MOLEX-JAPAN CO.,LTD. 日本モレックス株式会社	
仕上げ FINISH		注記参照 SEE NOTES		REVISE ONLY ON CAD SYSTEM	
適用電線範囲 WIRE RANGE		AWG #22~#26		TITLE 名称	
被覆外径 INS. RANGE		φ 1.4MAX.		NEW 2.0 WIRE TO BOARD CONN. CRIMP RECEPTACLE	
DRAWN BY '92/9/3		CHK'D BY '92/9/4		DWG. NO.	
M.FUJIKURA		M.FUJIKURA		REV	
APP'D BY '92/9/4		M.FUJIKURA		SCALE 10:1	
M.FUJIKURA		M.FUJIKURA		SD-50372-8*00	
M.FUJIKURA		M.FUJIKURA		0	

角度 ANGLE	±3°
30以上 OVER	+0.3
10以上 30未満 UNDER	+0.25
10未満 UNDER	+0.2
一般公差 GENERAL TOLERANCES	

記号 LTR	変更内容 REVISION RECORD	DR. CHK.	日付 DATE
0	新規作成 (J20801)	M.F.	92/9/4